



US00D877274S

(12) **United States Design Patent**  
**Rozier**

(10) **Patent No.:** **US D877,274 S**  
(45) **Date of Patent:** **\*\* Mar. 3, 2020**

(54) **TOY PLAYSET**

(71) Applicant: **Timothy James Rozier**, New Territories (HK)

(72) Inventor: **Timothy James Rozier**, New Territories (HK)

(\*\*) Term: **15 Years**

(21) Appl. No.: **29/657,833**

(22) Filed: **Jul. 25, 2018**

(30) **Foreign Application Priority Data**

Jan. 29, 2018 (HK) ..... 1800181

(51) **LOC (12) Cl.** ..... **21-03**

(52) **U.S. Cl.**  
USPC ..... **D21/817**

(58) **Field of Classification Search**  
USPC ..... D21/811, 814, 817-821, 322; D34/32  
CPC ..... A63G 21/00-21/22; A63C 19/10  
See application file for complete search history.

(56) **References Cited**

**U.S. PATENT DOCUMENTS**

- D246,638 S \* 12/1977 Hegedus ..... D34/32
- 4,129,916 A \* 12/1978 Schlesinger ..... A63C 19/10  
14/69.5
- D257,874 S \* 1/1981 Sheehan ..... D21/817
- D305,676 S \* 1/1990 Ngai ..... D21/565
- 5,165,690 A \* 11/1992 Kelley, Jr. .... A63B 63/007  
472/88
- D353,930 S \* 12/1994 Johnson ..... D21/687
- D390,621 S \* 2/1998 Cosentino ..... D21/817
- D414,526 S \* 9/1999 Kashani ..... D21/318
- 5,946,756 A \* 9/1999 Mapp ..... A63C 19/10  
14/69.5
- 6,042,480 A \* 3/2000 Labelson ..... A63C 19/10  
14/69.5

- D483,428 S \* 12/2003 Frey ..... D21/817
- 6,654,977 B1 \* 12/2003 Chin ..... A63C 19/10  
14/69.5
- 6,672,968 B2 \* 1/2004 Montolio ..... A63C 19/10  
14/69.5
- 6,676,529 B2 \* 1/2004 Pernal ..... A63C 19/10  
472/89
- 6,695,707 B1 \* 2/2004 Fernandez ..... A63C 19/10  
14/69.5
- D489,786 S \* 5/2004 Pratt ..... D21/817
- D491,995 S \* 6/2004 Frey ..... D21/817
- 6,776,685 B2 \* 8/2004 Reisher ..... A63H 18/00  
446/444
- 6,782,577 B2 \* 8/2004 Rieber ..... A63C 19/10  
14/71.1
- D495,770 S \* 9/2004 Hickey ..... A63C 19/10  
D21/817
- D500,113 S \* 12/2004 Frey ..... D21/817
- D500,829 S \* 1/2005 Hadley ..... D21/817
- 7,104,895 B2 \* 9/2006 Hickey ..... A63C 19/10  
14/69.5
- D542,876 S \* 5/2007 Laurienzo ..... D21/817
- D545,926 S \* 7/2007 Laurienzo ..... D21/565
- D711,062 S \* 8/2014 Chen ..... D34/32

(Continued)

*Primary Examiner* — Mitchell I. Siegel

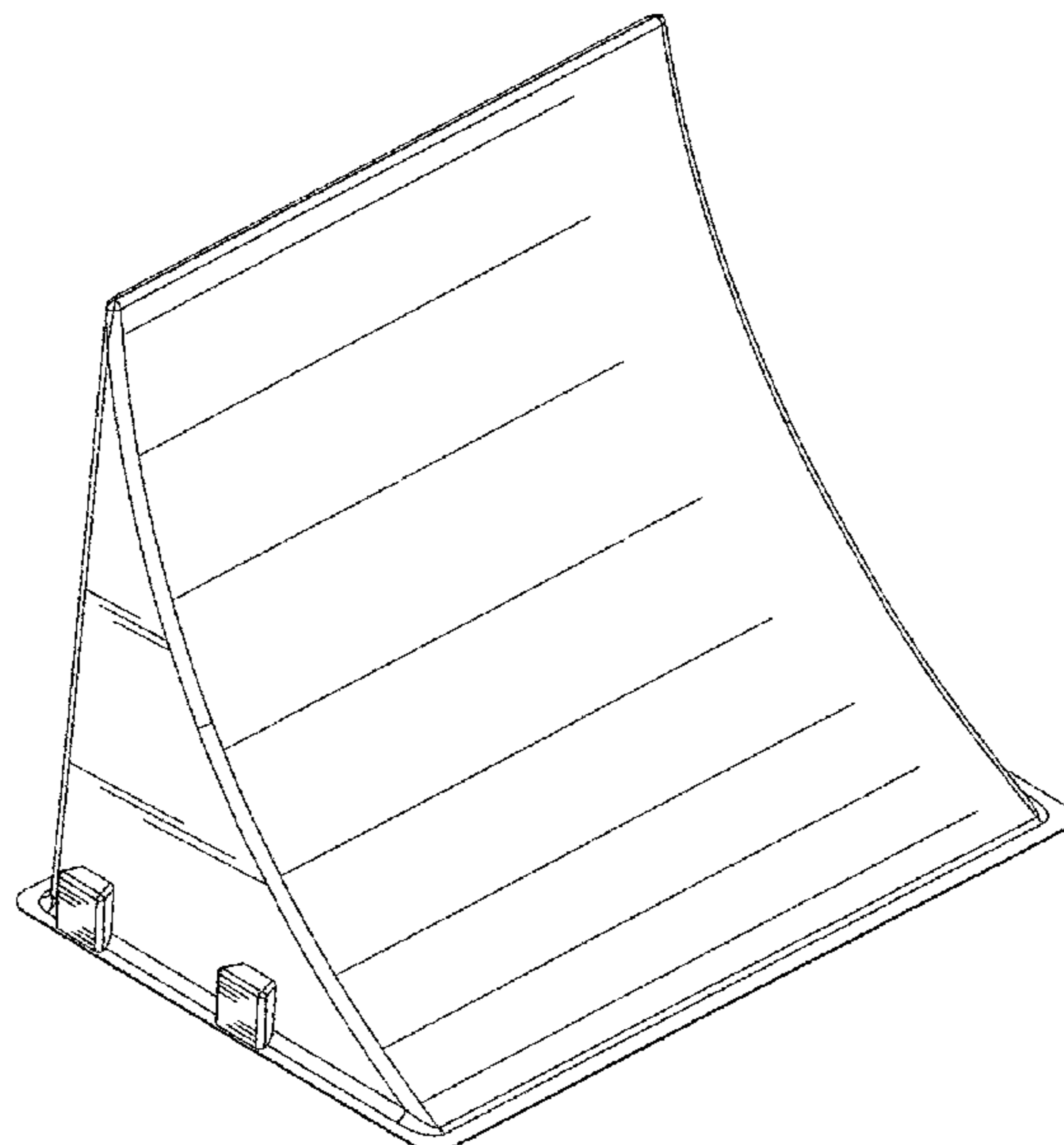
(57) **CLAIM**

The ornamental design for a toy playset, as shown.

**DESCRIPTION**

FIG. 1 is a front elevational view of a toy playset showing my new design;  
FIG. 2 is a rear elevational view thereof;  
FIG. 3 is a left side view thereof;  
FIG. 4 is a right side view thereof;  
FIG. 5 is a top plan view thereof;  
FIG. 6 is a perspective view thereof; and,  
FIG. 7 is another perspective view thereof.

**1 Claim, 7 Drawing Sheets**



(56)

**References Cited**

U.S. PATENT DOCUMENTS

D825,015 S \* 8/2018 Rademacher ..... D21/803  
D831,146 S \* 10/2018 Lindberg ..... D21/814  
10,202,725 B1 \* 2/2019 Chin ..... E01C 13/003

\* cited by examiner

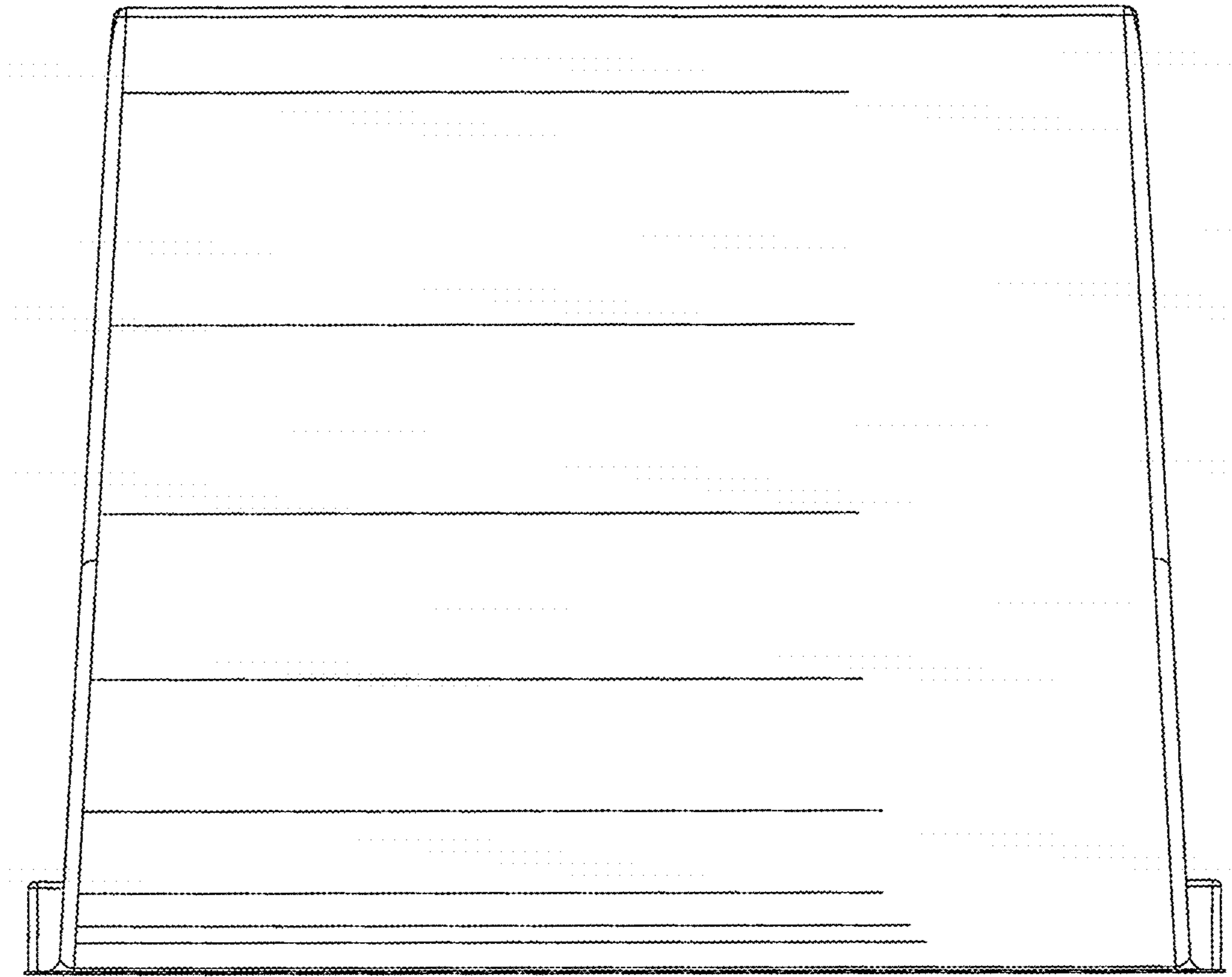


FIG. 1

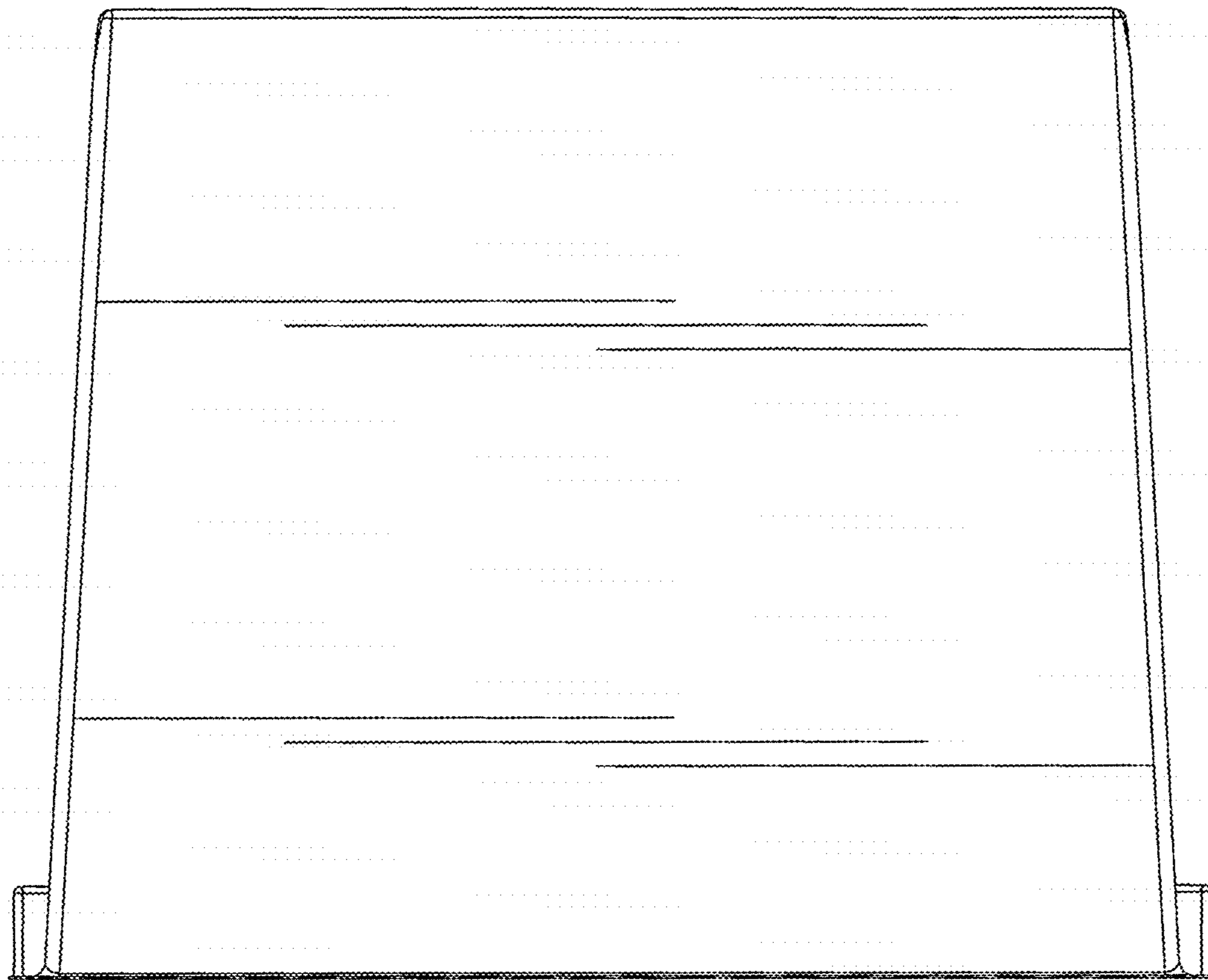


FIG. 2

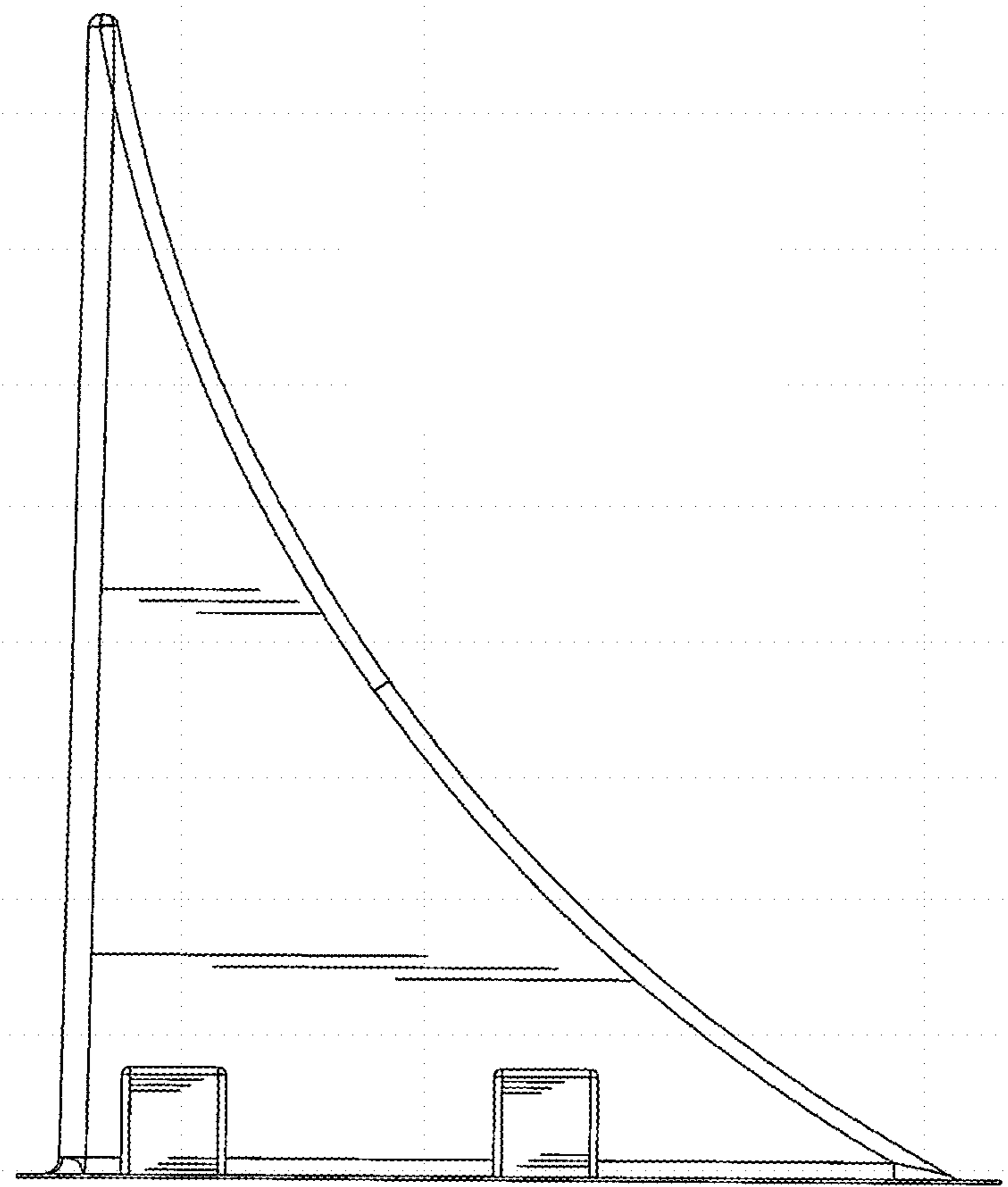


FIG. 3

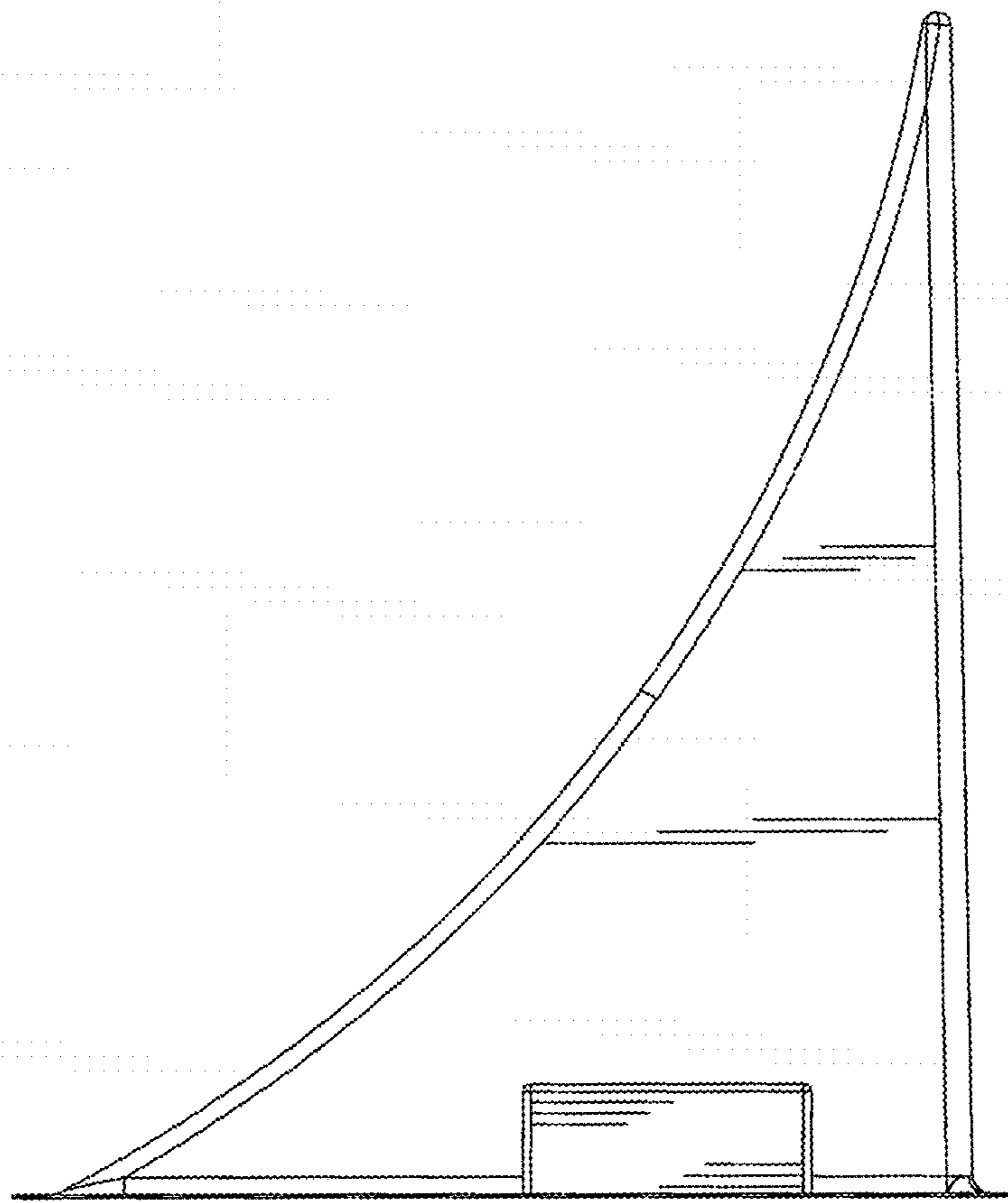


FIG. 4

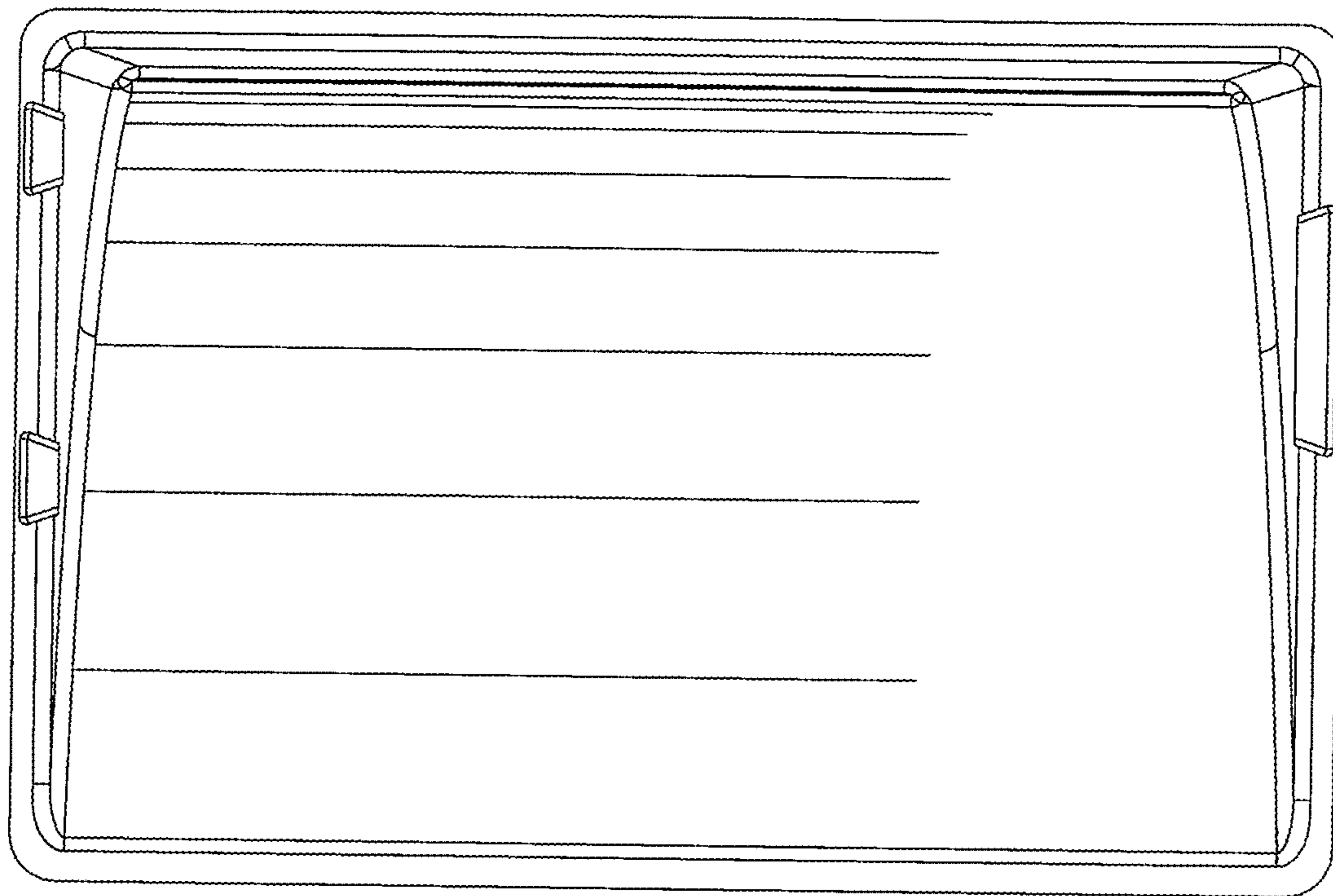


FIG. 5

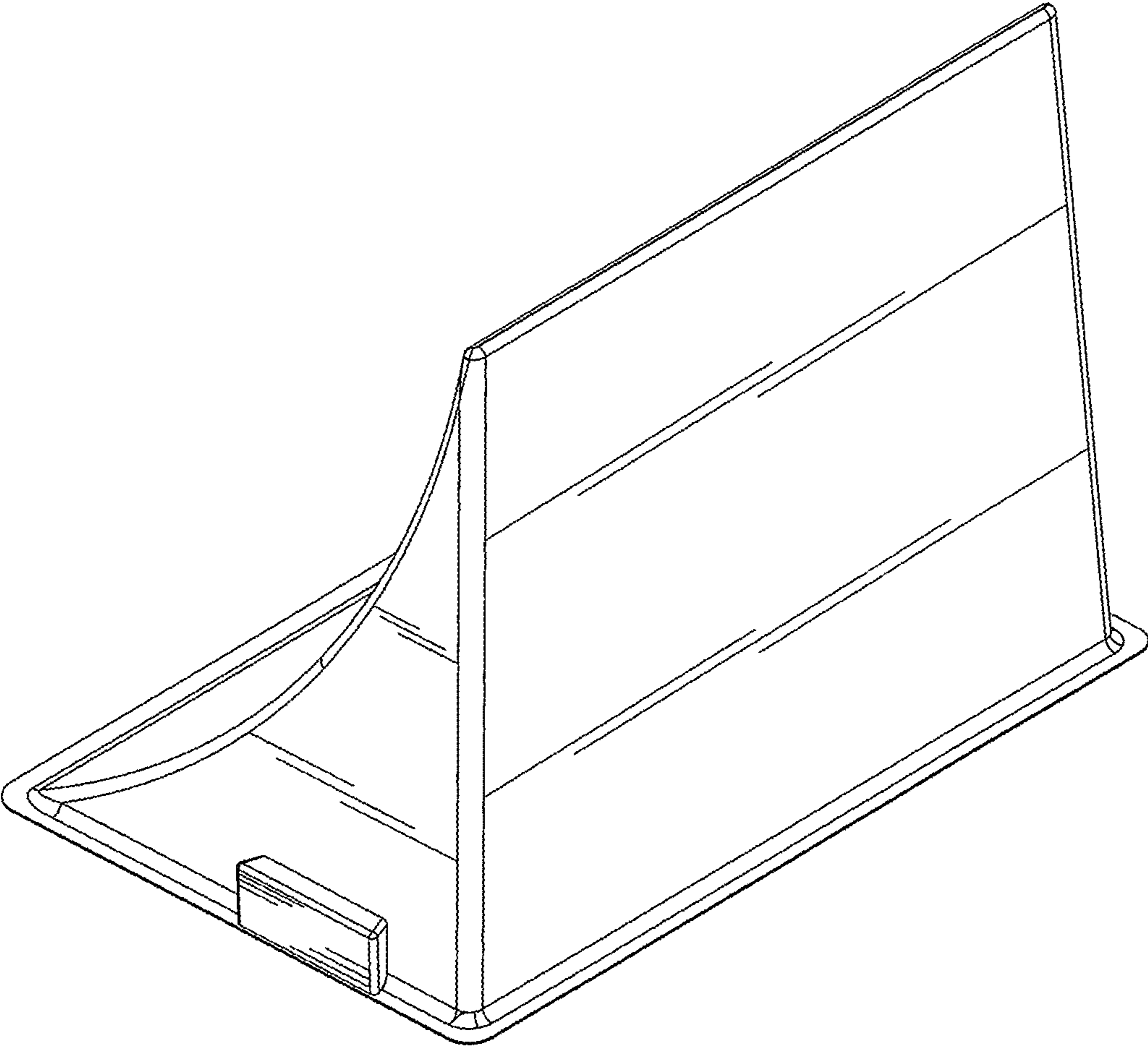


FIG. 6



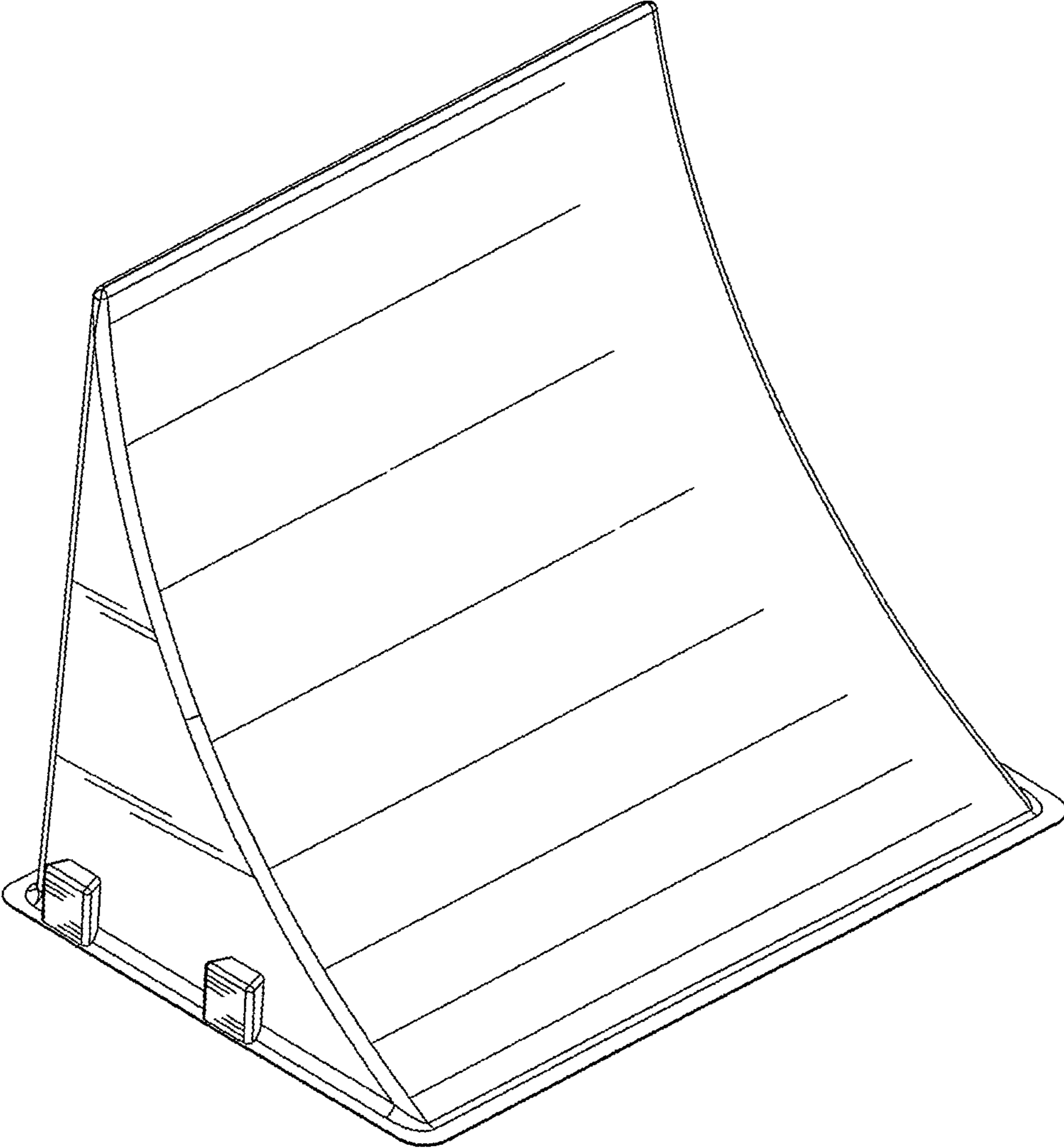


FIG. 7