



US00D877271S

(12) **United States Design Patent**  
**Hu**

(10) **Patent No.:** **US D877,271 S**  
(45) **Date of Patent:** **\*\* Mar. 3, 2020**

(54) **MONOFIN**  
(71) Applicant: **Yusong Hu**, Dongguan (CN)  
(72) Inventor: **Yusong Hu**, Dongguan (CN)  
(\*\*) Term: **15 Years**

(21) Appl. No.: **29/669,423**  
(22) Filed: **Nov. 8, 2018**  
(51) **LOC (12) Cl.** ..... **21-02**  
(52) **U.S. Cl.**  
USPC ..... **D21/806**  
(58) **Field of Classification Search**  
USPC ..... D21/801, 803, 804, 806, 807  
CPC ..... A63B 31/00; A63B 31/02; A63B 31/08;  
A63B 31/10; A63B 31/11  
See application file for complete search history.

(56) **References Cited**  
U.S. PATENT DOCUMENTS  
D328,118 S \* 7/1992 Evans ..... D21/806  
D415,544 S \* 10/1999 Applegate ..... D21/806  
D646,740 S \* 10/2011 Portas ..... D21/806

D658,736 S \* 5/2012 Melius ..... D21/806  
D685,050 S \* 6/2013 O'Doherty ..... D21/806  
D789,474 S \* 6/2017 Abruzzini ..... D21/806  
D865,099 S \* 10/2019 Xu ..... D21/806  
D867,508 S \* 11/2019 Law ..... D21/806

\* cited by examiner

*Primary Examiner* — Zenia I Bennett

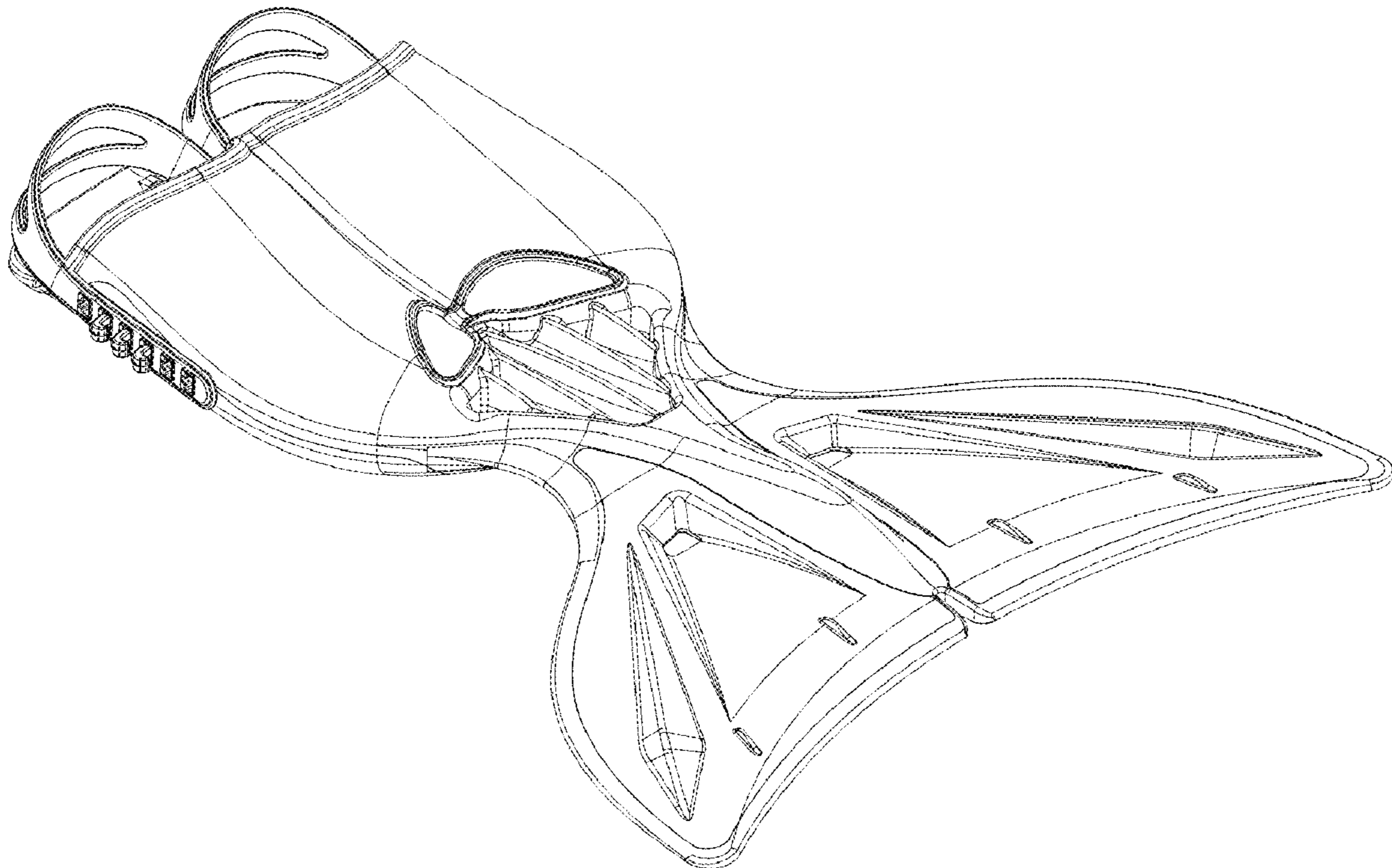
(57) **CLAIM**

The ornamental design for a monofin, as shown.

**DESCRIPTION**

FIG. 1 is a front elevational view of a monofin showing my new design;  
FIG. 2 is a rear elevational view thereof;  
FIG. 3 is a left side view thereof;  
FIG. 4 is a right side view thereof;  
FIG. 5 is a top plan view thereof;  
FIG. 6 is a bottom plan view thereof;  
FIG. 7 is a perspective view thereof;  
FIG. 8 is a second perspective view thereof;  
FIG. 9 is a third perspective view thereof; and,  
FIG. 10 is a fourth perspective view thereof.

**1 Claim, 9 Drawing Sheets**



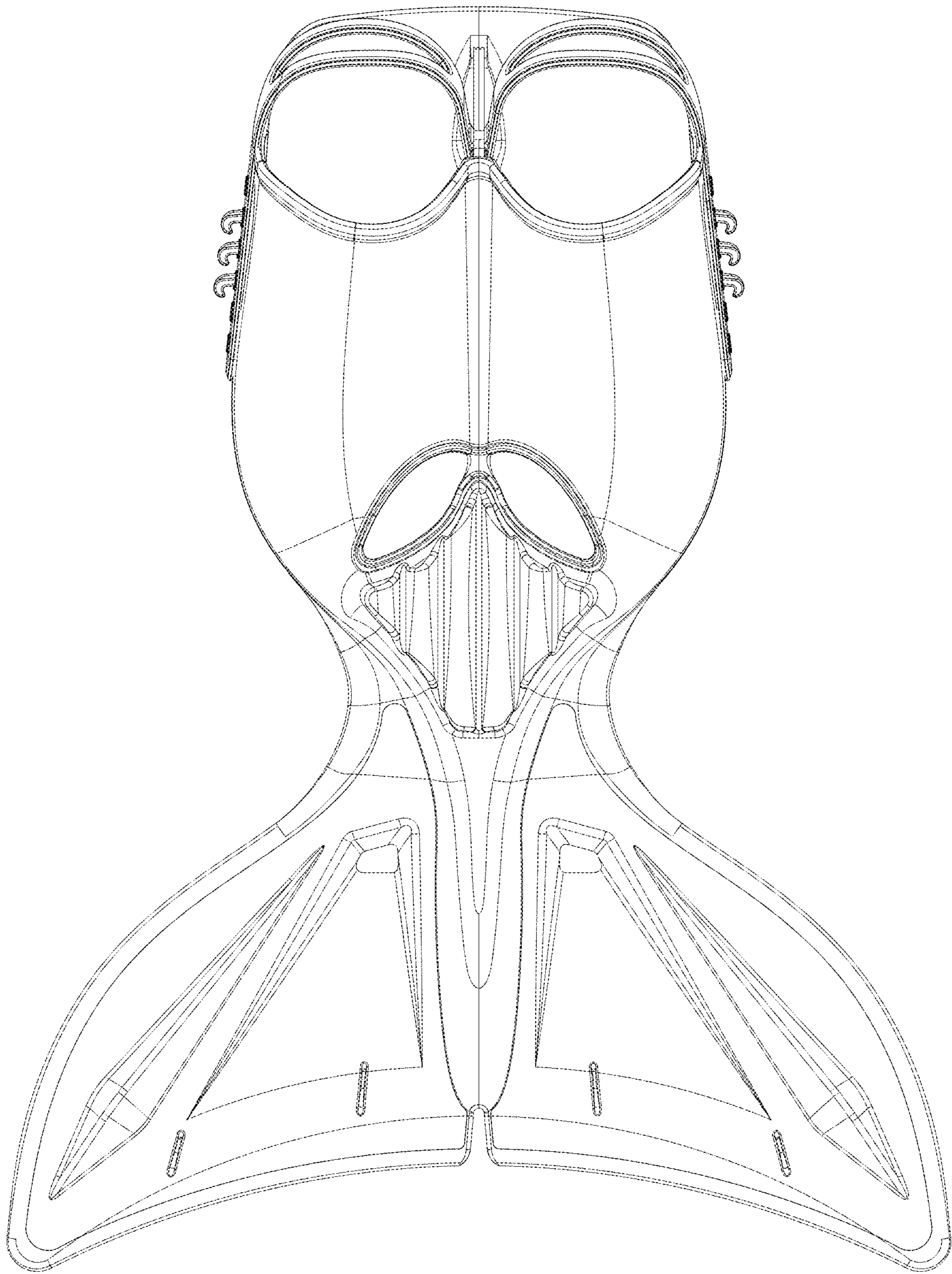


Fig. 1

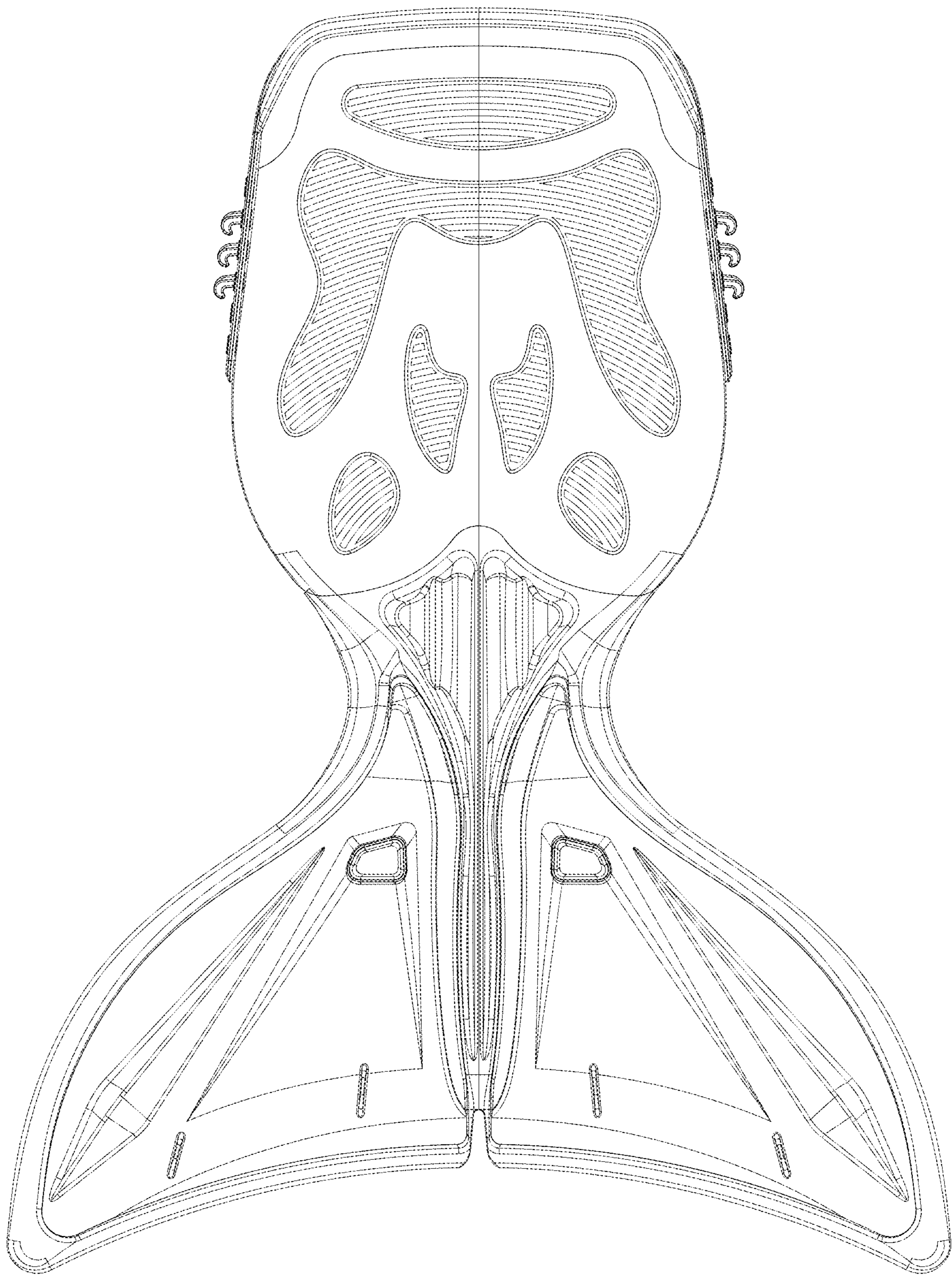


Fig. 2

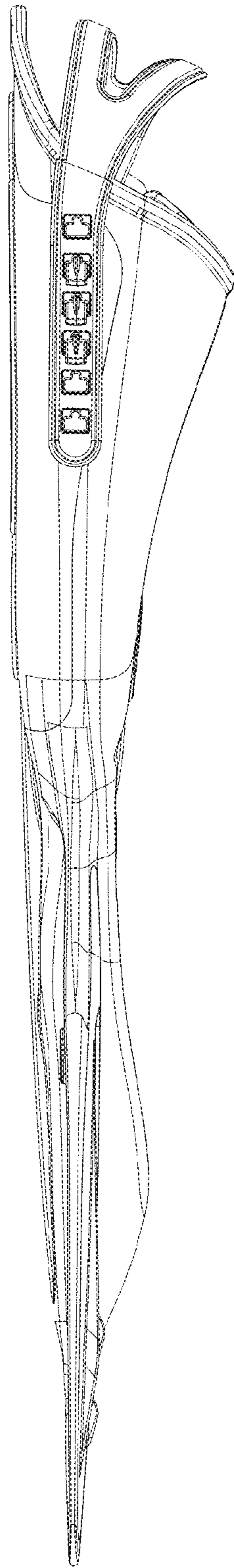


Fig. 3

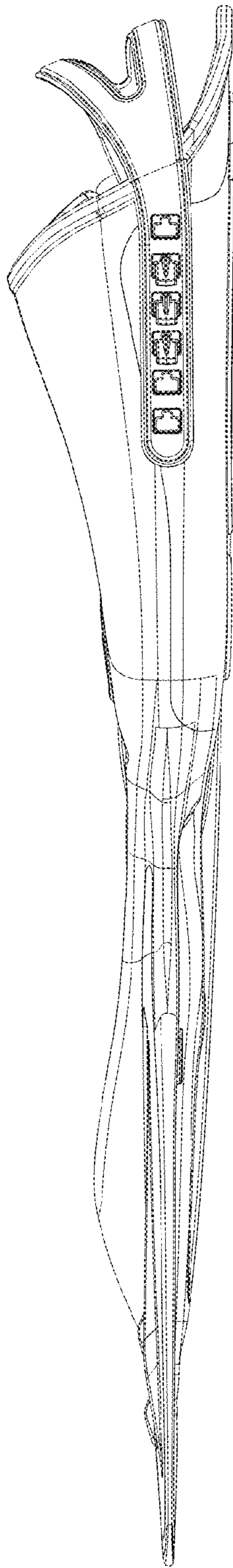


Fig. 4

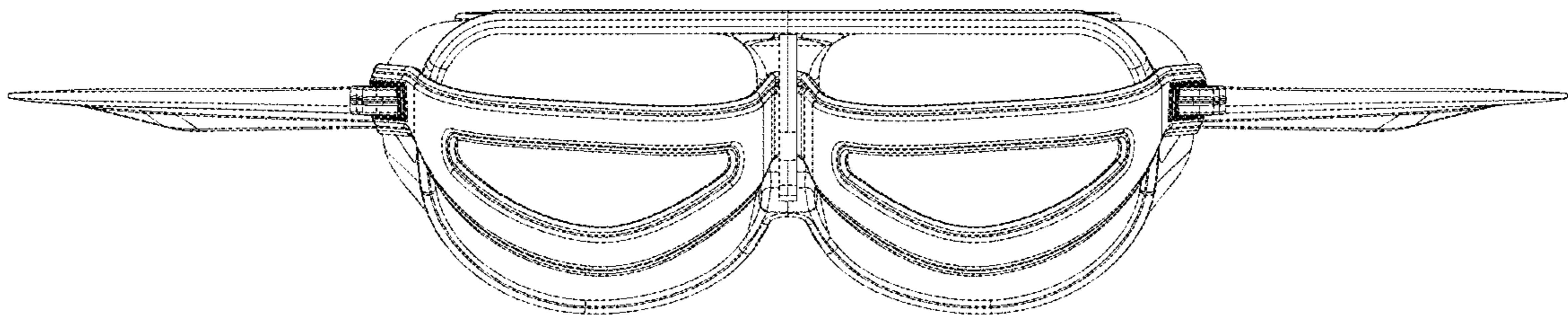


Fig. 5

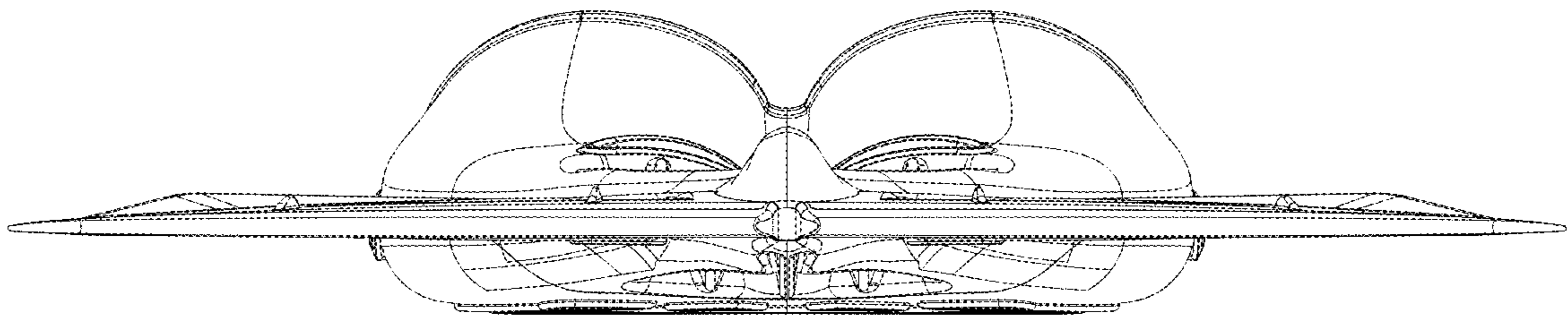


Fig. 6

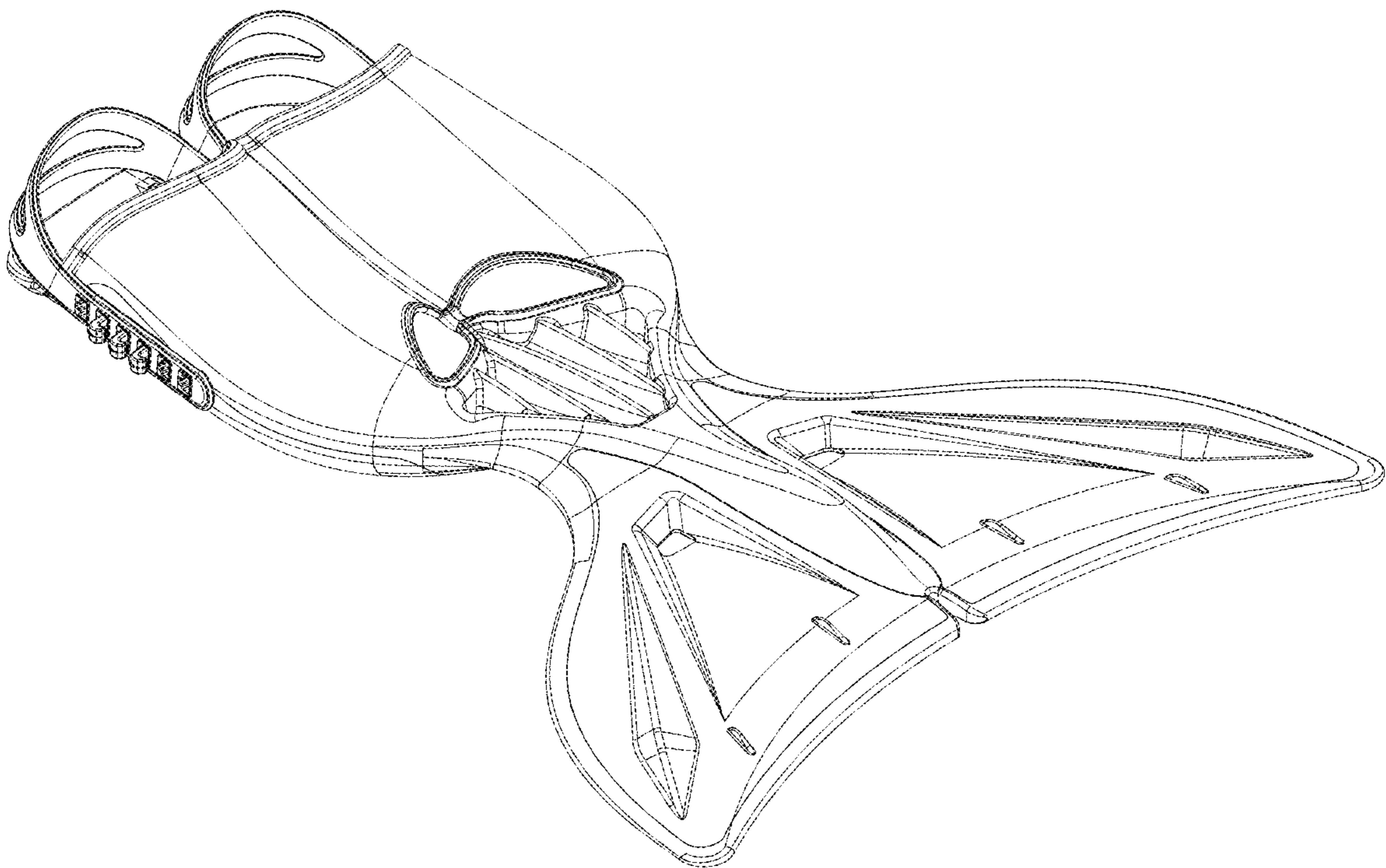


Fig. 7

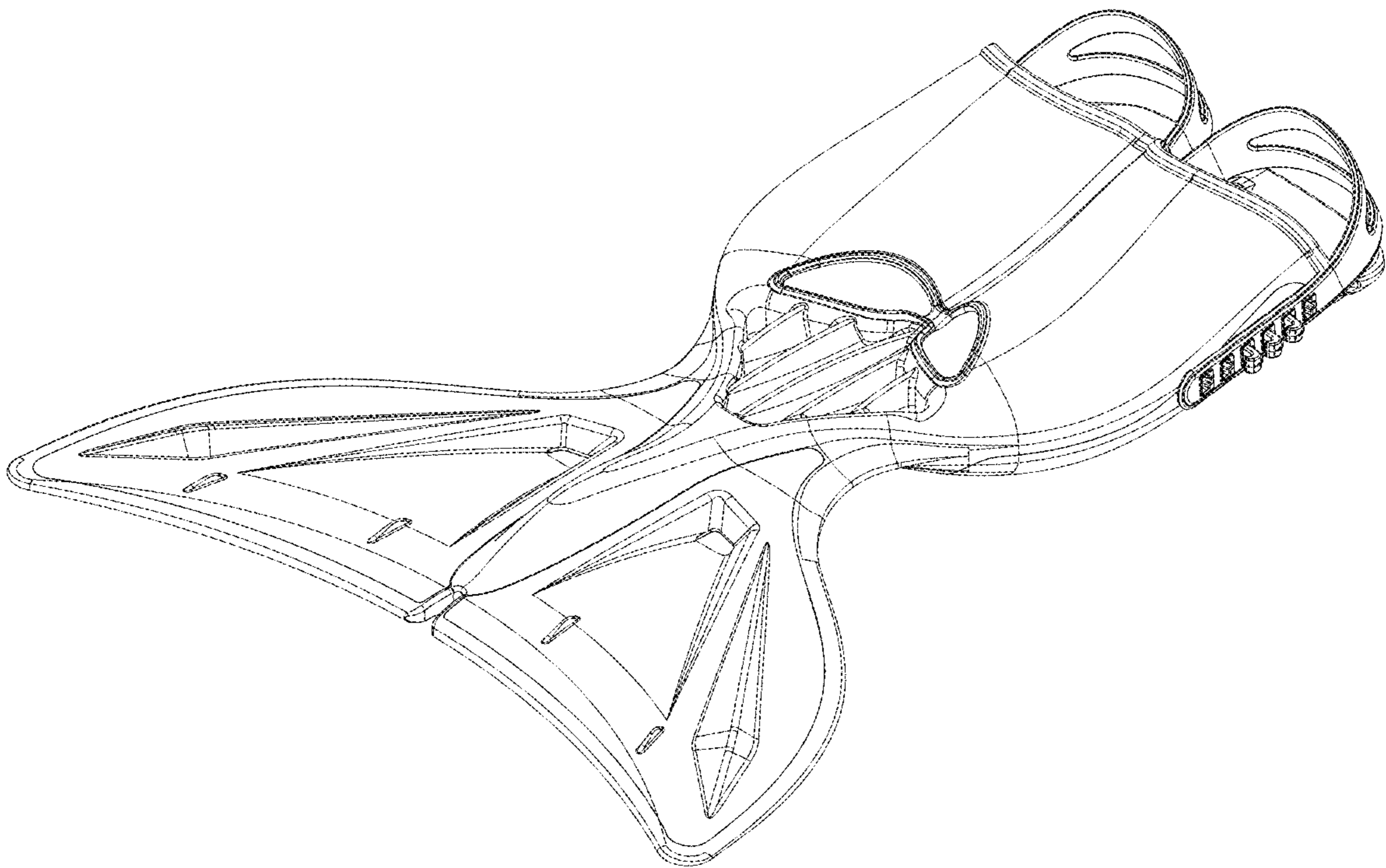


Fig. 8



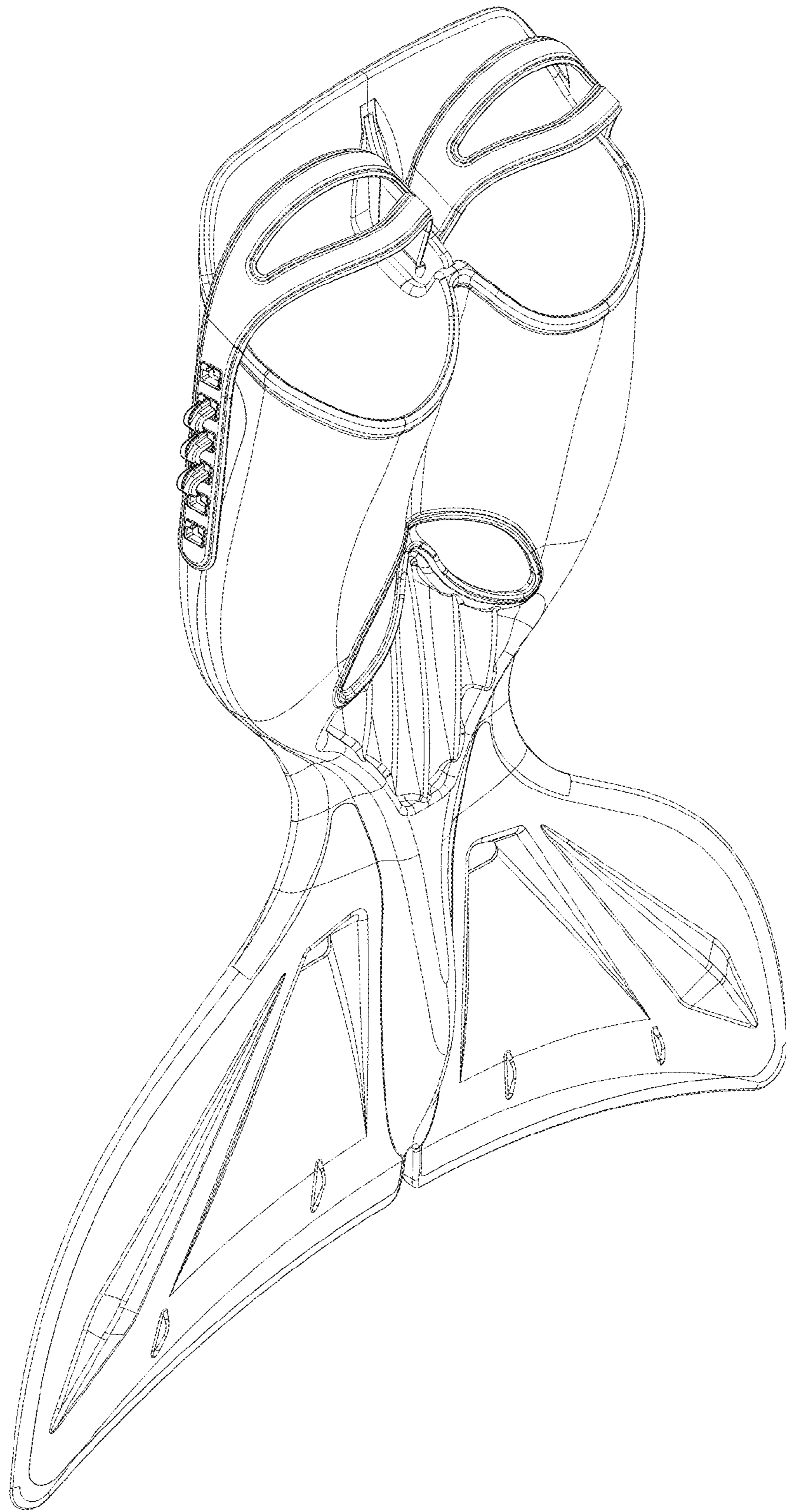


Fig. 9

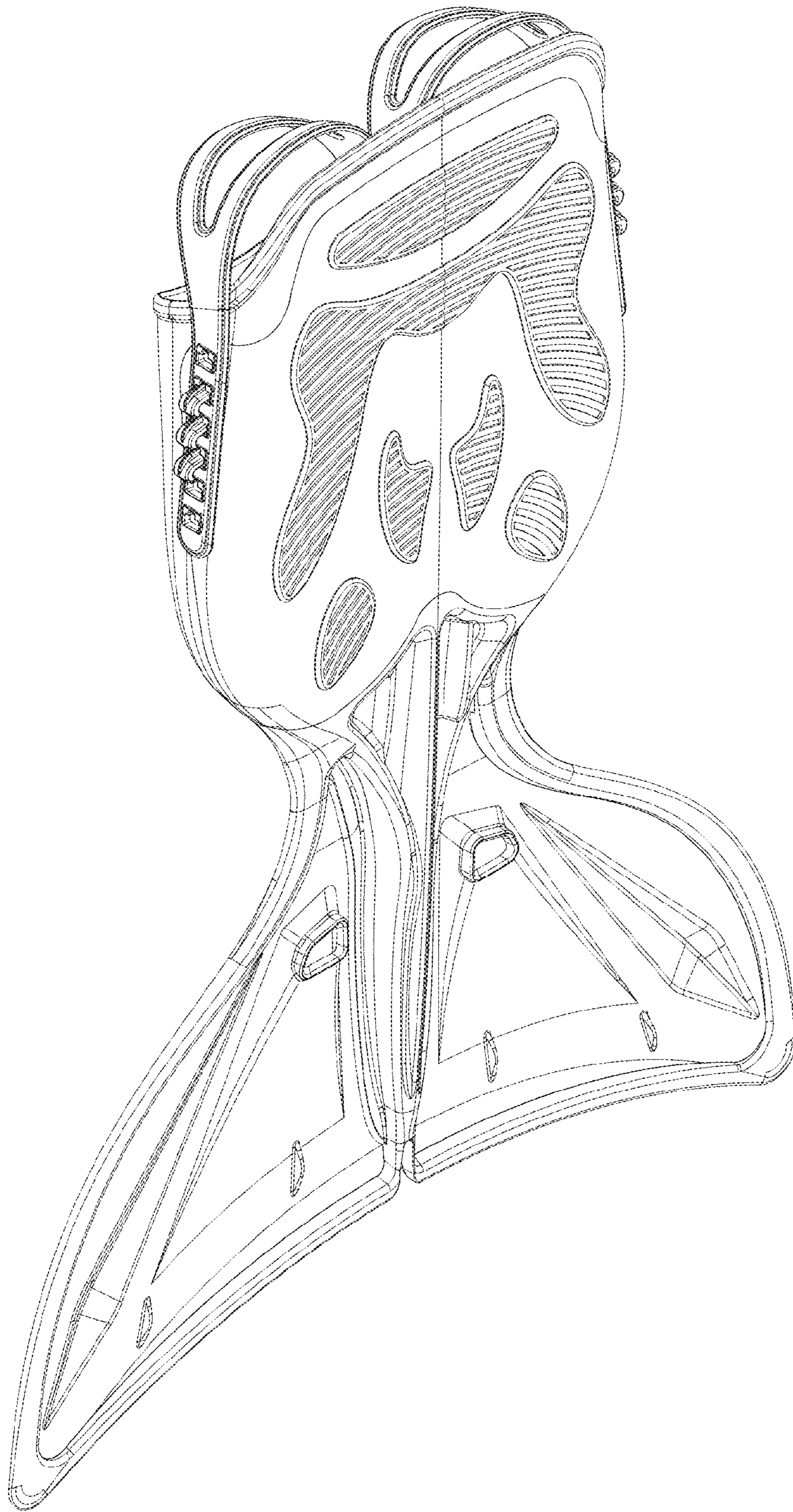


Fig. 10