



US00D877270S

(12) **United States Design Patent**  
**Fei**

(10) **Patent No.:** **US D877,270 S**  
(45) **Date of Patent:** **\*\* Mar. 3, 2020**

(54) **INFLATABLE WATER PLATFORM**

D392,012 S \* 3/1998 Loiseau ..... D21/801  
9,364,699 B2 \* 6/2016 Gordon ..... A63B 5/11

(71) Applicant: **Hongzeng Fei**, Jiangsu (CN)

\* cited by examiner

(72) Inventor: **Hongzeng Fei**, Jiangsu (CN)

*Primary Examiner* — Zenia I Bennett

(\*\*) Term: **15 Years**

(21) Appl. No.: **29/671,329**

(57) **CLAIM**

(22) Filed: **Nov. 26, 2018**

The ornamental design for a inflatable water platform, as shown and described.

(51) **LOC (12) Cl.** ..... **21-02**

(52) **U.S. Cl.**

USPC ..... **D21/803**

(58) **Field of Classification Search**

USPC ..... D21/769–770, 801, 803, 809; D12/5, 6,  
D12/316; D6/392, 595, 596, 601, 604,  
D6/605

CPC ..... B63B 35/00; B63B 35/001; B63B 35/58;  
B63B 35/73; B63B 35/78

See application file for complete search history.

**DESCRIPTION**

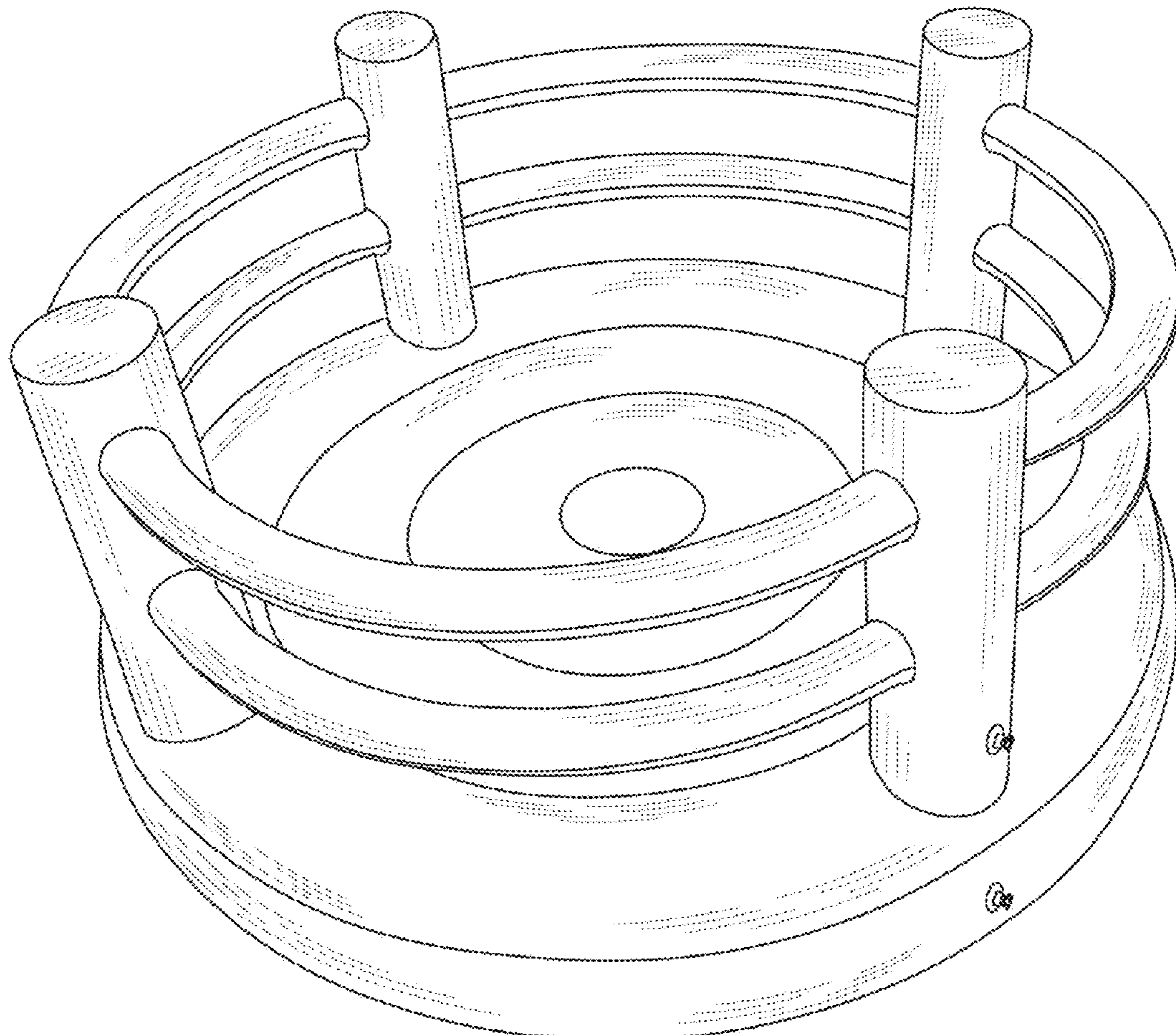
FIG. 1 is a perspective view of a inflatable water platform showing my new design;  
FIG. 2 is a front elevation view thereof;  
FIG. 3 is a rear elevation view thereof;  
FIG. 4 is a left side elevation view thereof;  
FIG. 5 is a right side elevation view thereof;  
FIG. 6 is a top plan view thereof; and,  
FIG. 7 is a bottom plan view thereof.

(56) **References Cited**

**U.S. PATENT DOCUMENTS**

D335,164 S \* 4/1993 Lee ..... D21/424  
D367,307 S \* 2/1996 O'Neill ..... D21/803

**1 Claim, 7 Drawing Sheets**



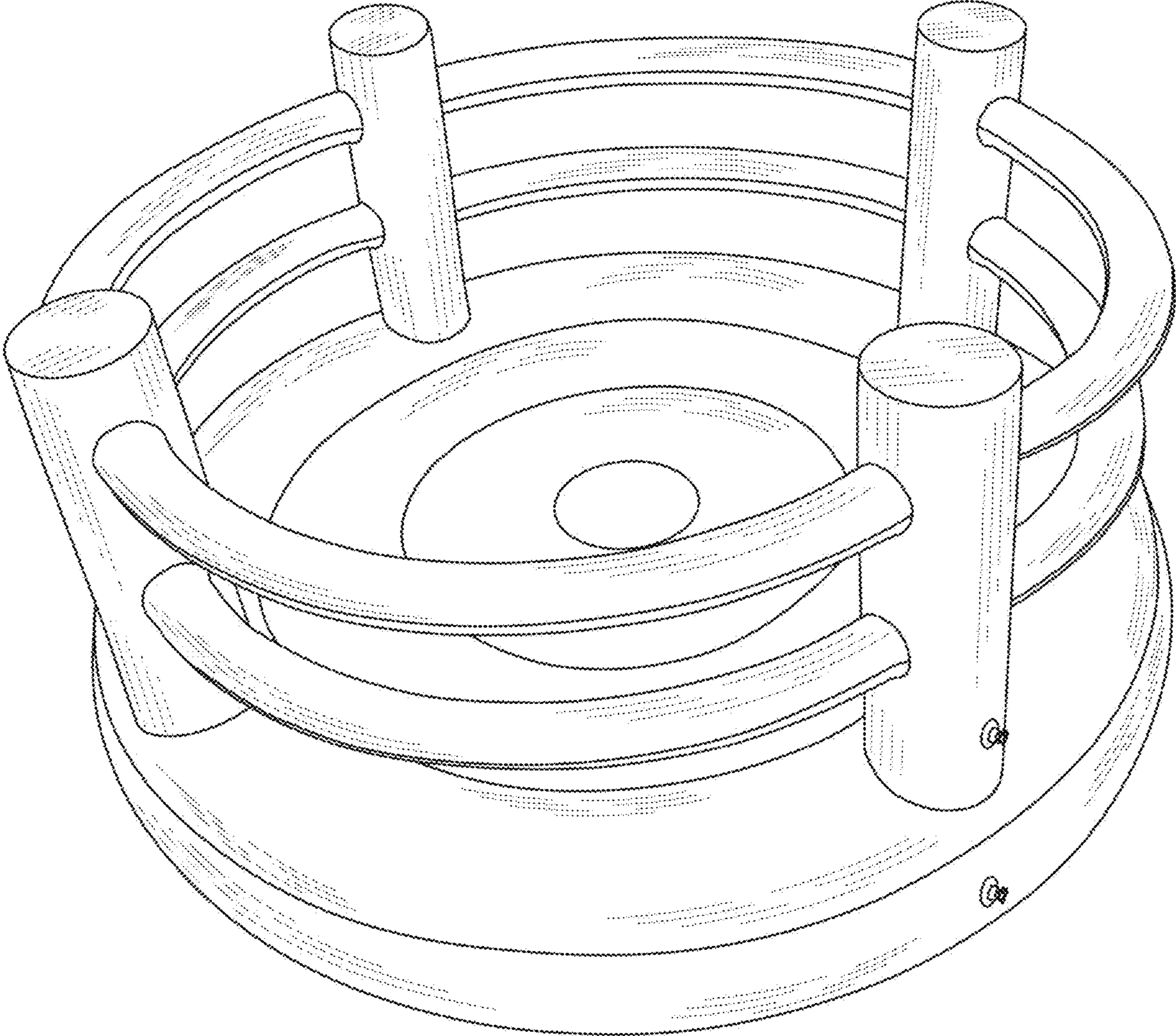


FIG. 1

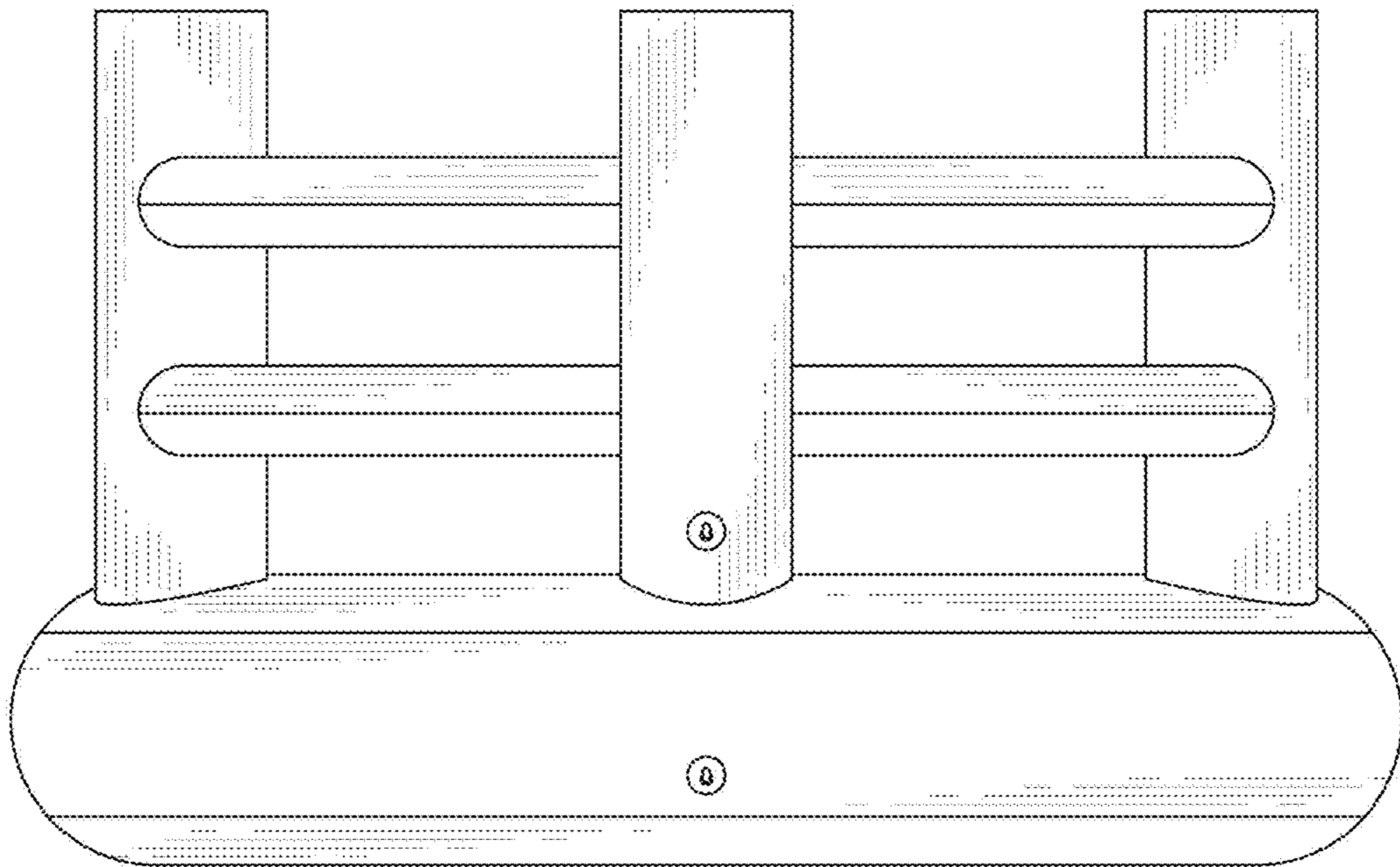


FIG.2

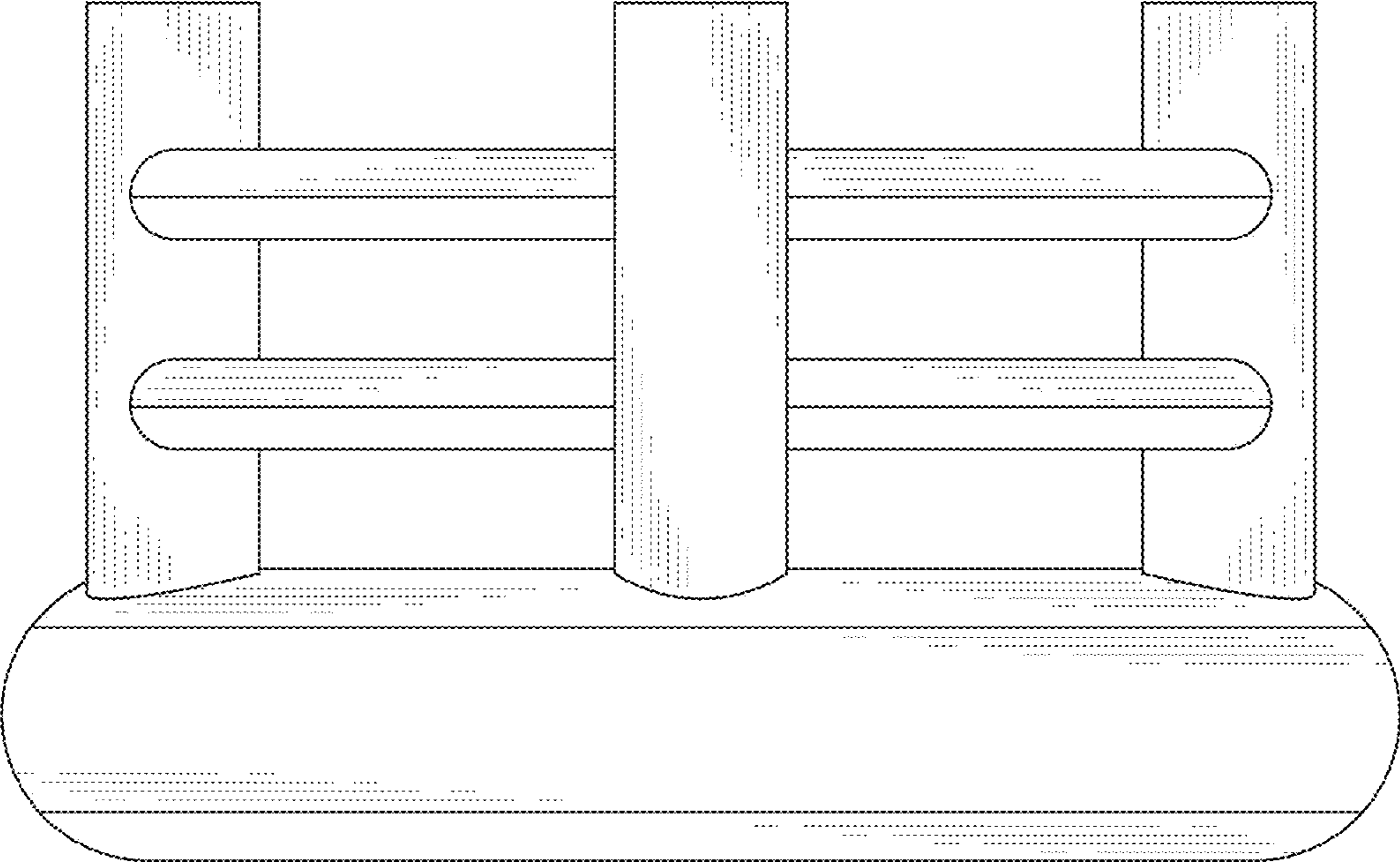


FIG.3

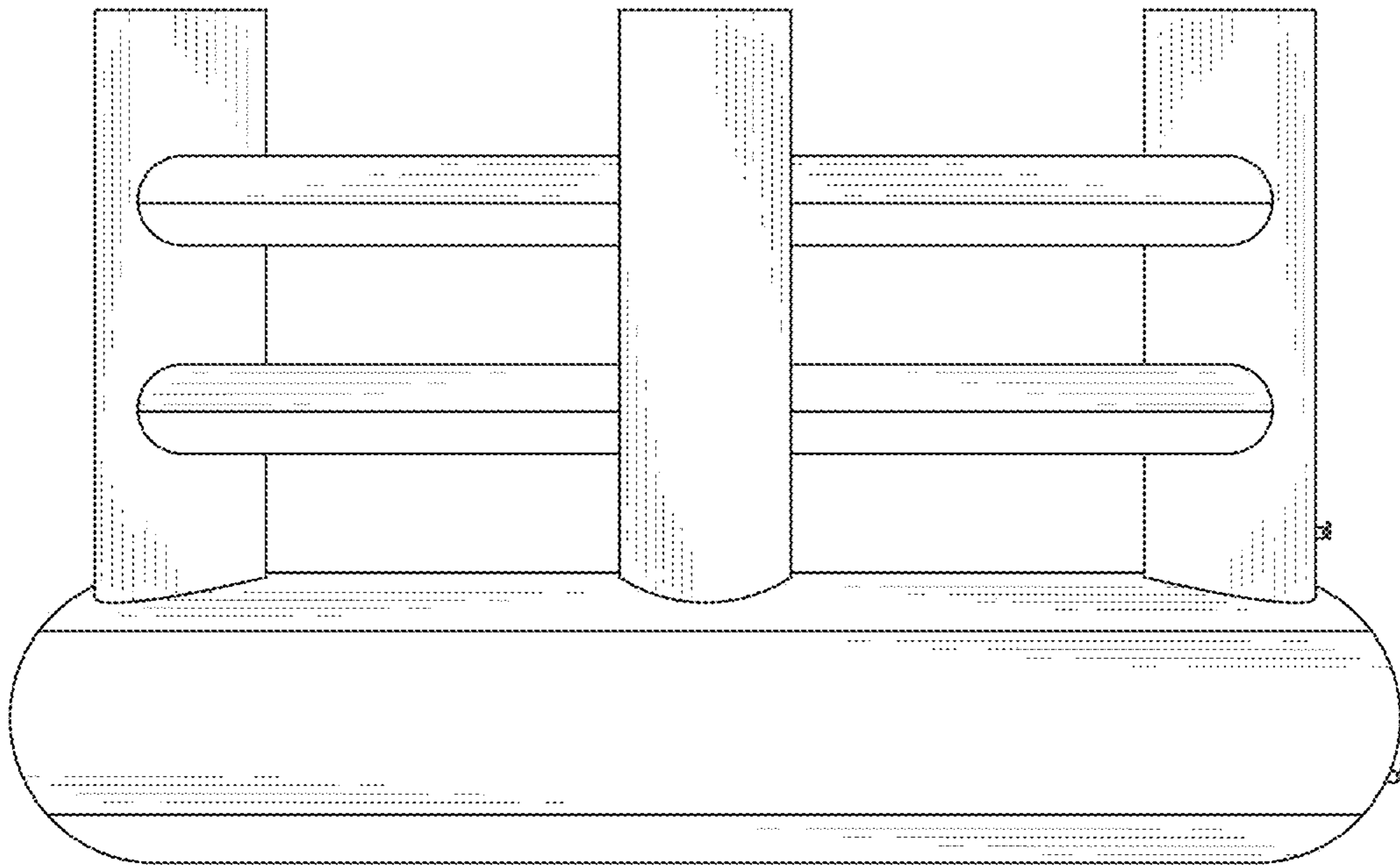


FIG. 4

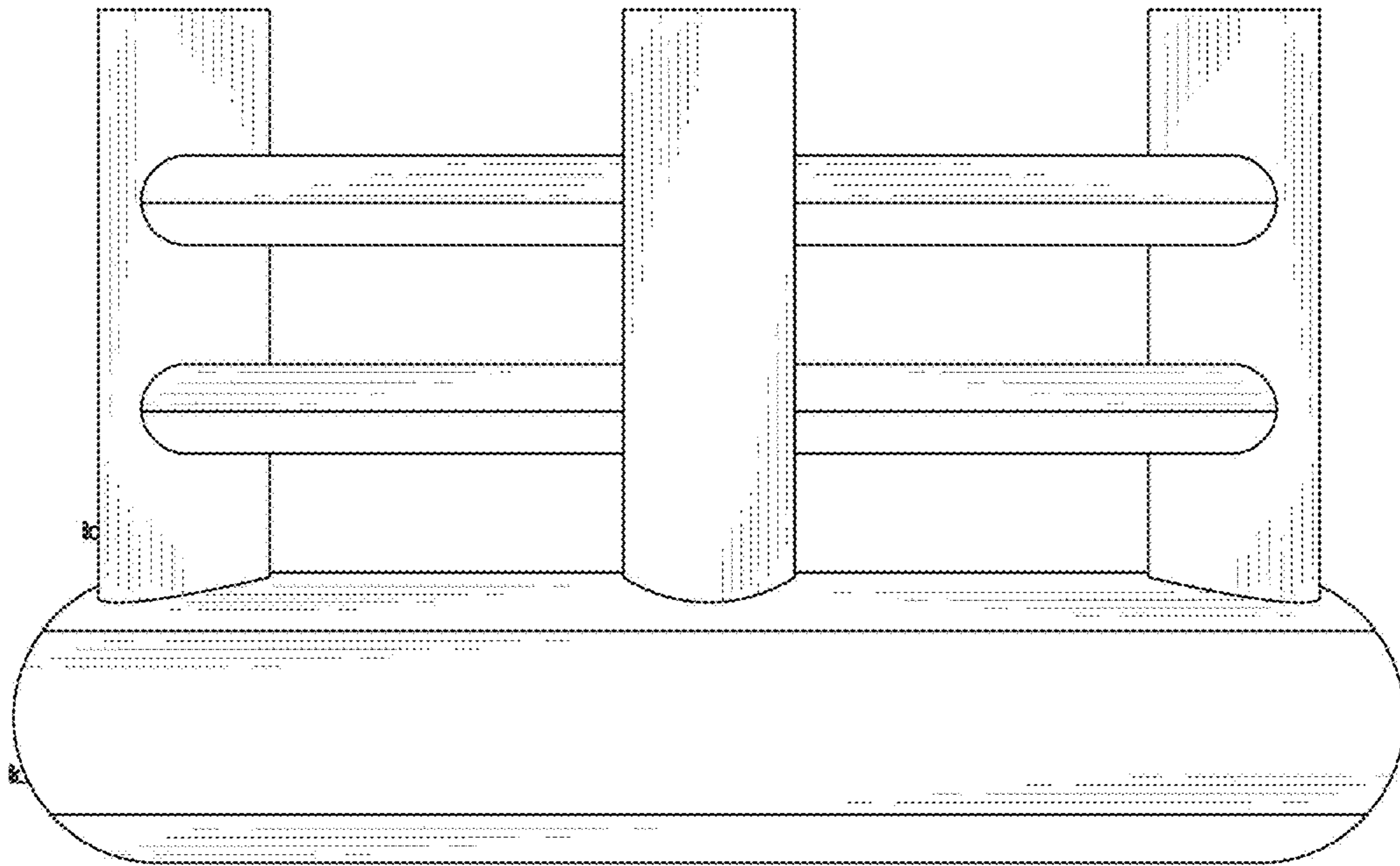


FIG. 5

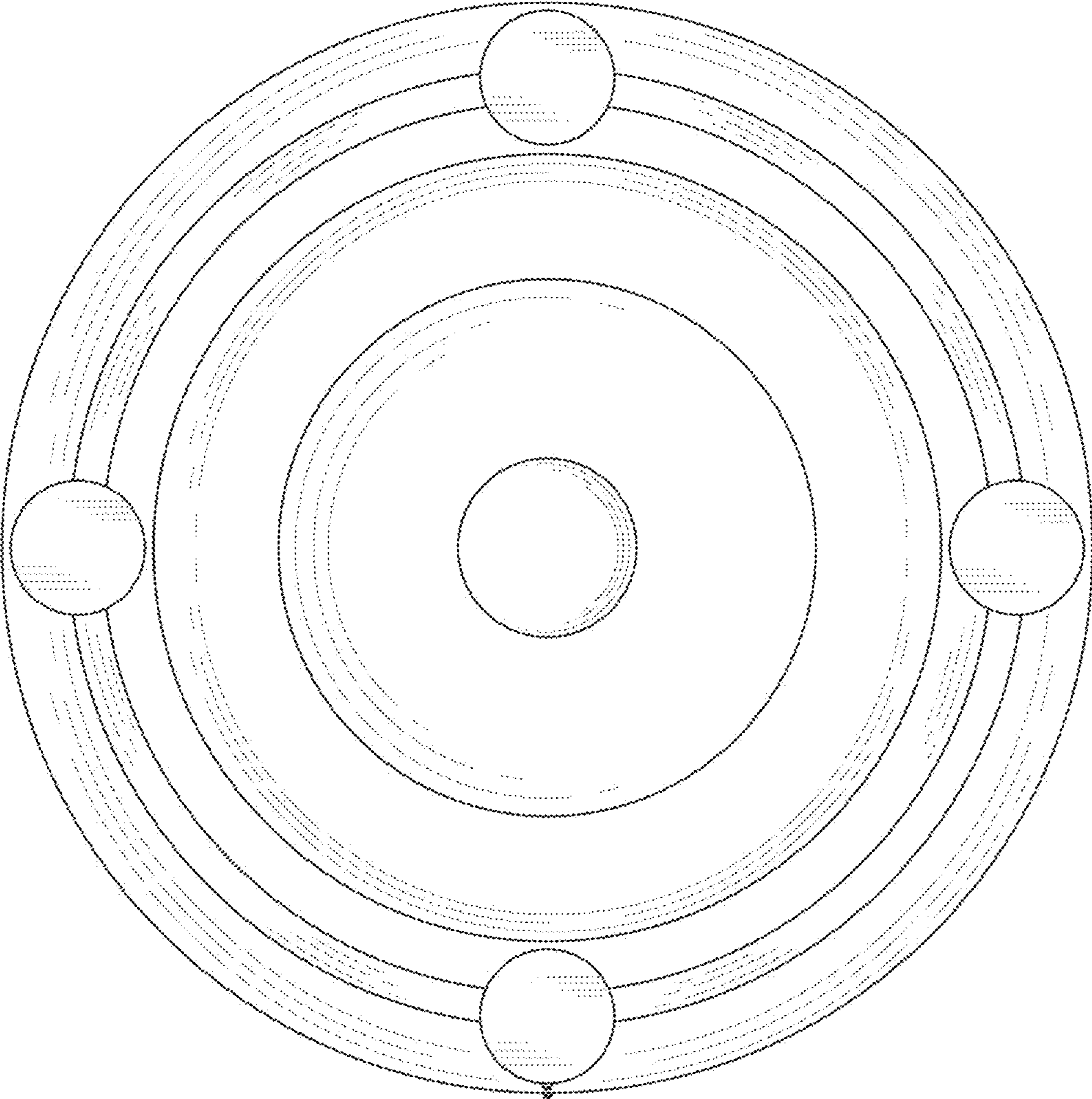


FIG.6

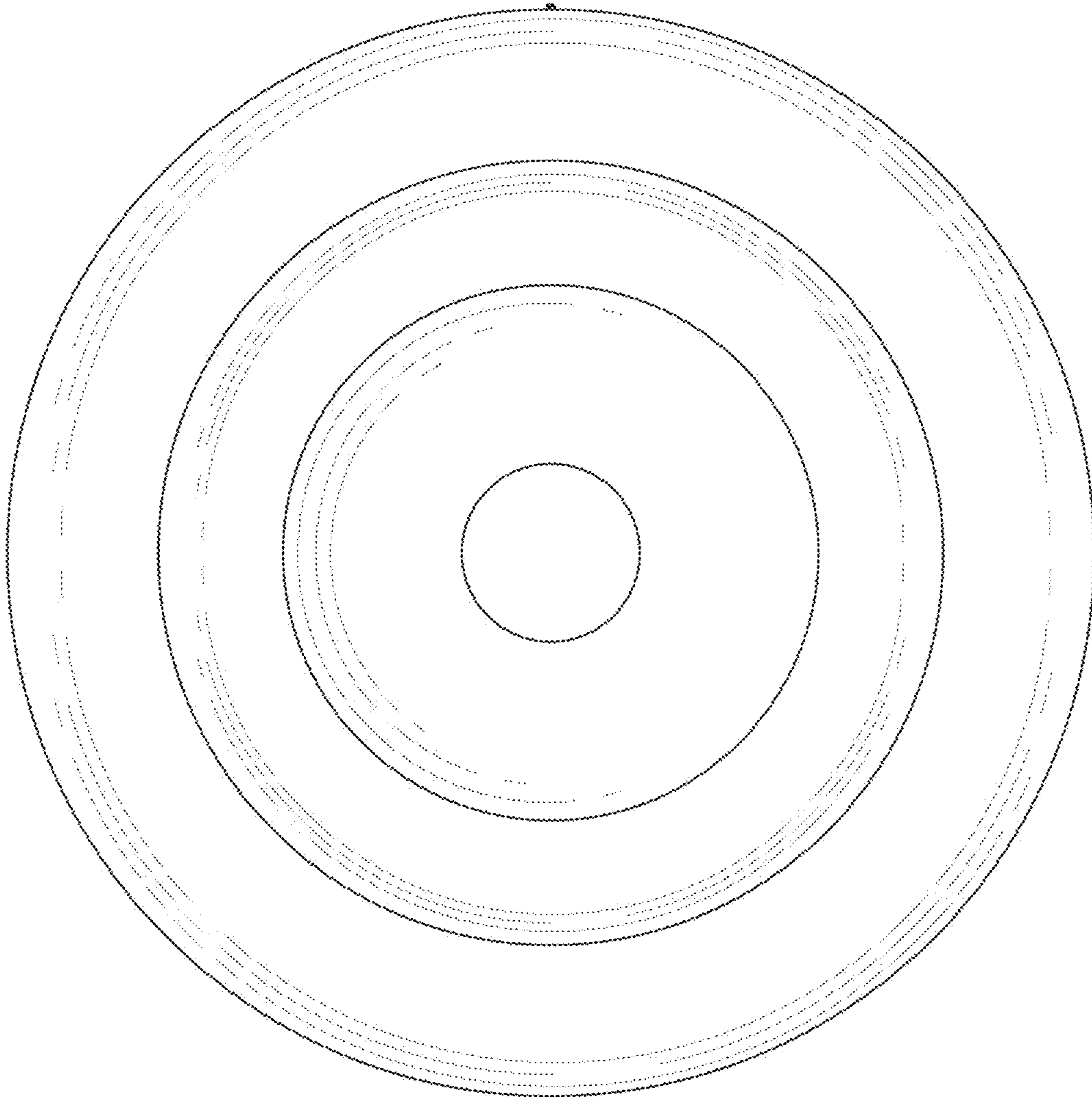


FIG.7