



US00D877265S

(12) **United States Design Patent** (10) **Patent No.:** **US D877,265 S**
Hu (45) **Date of Patent:** **** Mar. 3, 2020**

(54) **MAGAZINE OF TOY GUN**
(71) Applicant: **Shih-Che Hu**, Tainan (TW)
(72) Inventor: **Shih-Che Hu**, Tainan (TW)
(**) Term: **15 Years**
(21) Appl. No.: **29/670,779**
(22) Filed: **Nov. 20, 2018**
(51) **LOC (12) Cl.** **21-01**
(52) **U.S. Cl.**
USPC **D21/573; D22/108**
(58) **Field of Classification Search**
USPC D21/570, 573, 574; D22/108
CPC F41B 11/50; F41B 11/51; F41B 11/52;
F41B 11/53; F41B 11/55; F41B 11/56;
F41B 11/57; F41B 11/89; F41B 7/08;
F41A 9/24; F41A 9/61
See application file for complete search history.

D706,880 S * 6/2014 Chu D21/573
D710,479 S * 8/2014 Nakayama D22/108
D735,831 S * 8/2015 Faifer D22/108
9,273,925 B1 * 3/2016 Liao F41A 17/36
D755,310 S * 5/2016 Pedersen D21/573
D765,812 S * 9/2016 Kielsmeier D22/108
D804,603 S * 12/2017 Kielsmeier D22/108
D861,822 S * 10/2019 Hellyar D22/108
2012/0125304 A1 * 5/2012 Brooks F41B 7/003
124/52

* cited by examiner

Primary Examiner — Cynthia M. Chin
(74) *Attorney, Agent, or Firm* — Raymond Y. Chan;
David and Raymond Patent Firm

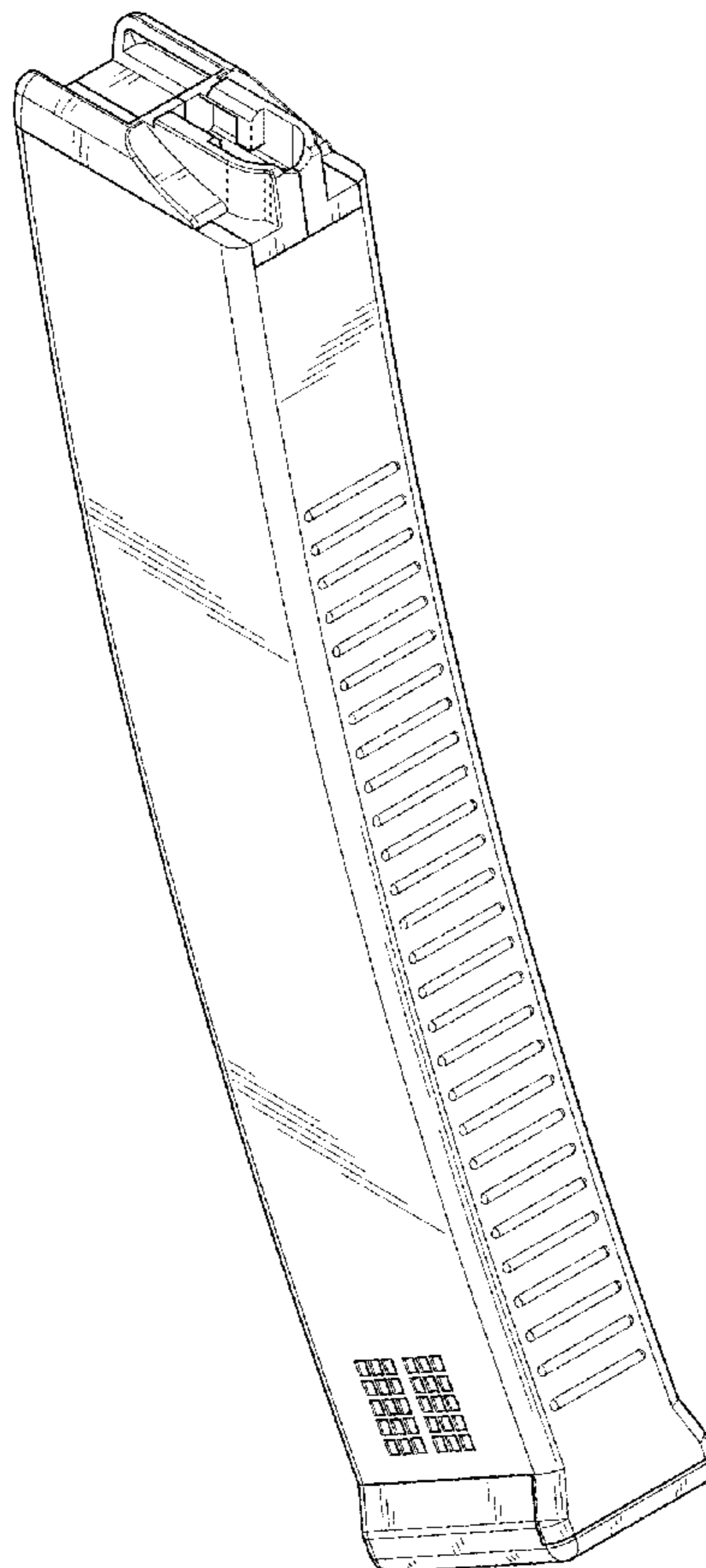
(57) **CLAIM**
The ornamental design for a magazine of toy gun, as shown and described.

DESCRIPTION

FIG. 1 is a front perspective view of magazine of toy gun showing my new design;
FIG. 2 is a front view thereof;
FIG. 3 is a rear view thereof;
FIG. 4 is a left end view thereof;
FIG. 5 is a right end view thereof;
FIG. 6 is a top view thereof;
FIG. 7 is a bottom view thereof; and,
FIG. 8 is a rear perspective view thereof.

1 Claim, 6 Drawing Sheets

(56) **References Cited**
U.S. PATENT DOCUMENTS
D242,346 S * 11/1976 Sofinowski, III et al. .. D22/108
4,127,954 A * 12/1978 Hausmann F41A 9/68
42/50
D633,164 S * 2/2011 Fitzpatrick D22/108
D646,743 S * 10/2011 Sullivan D22/108
D678,455 S * 3/2013 Hatfield D22/108



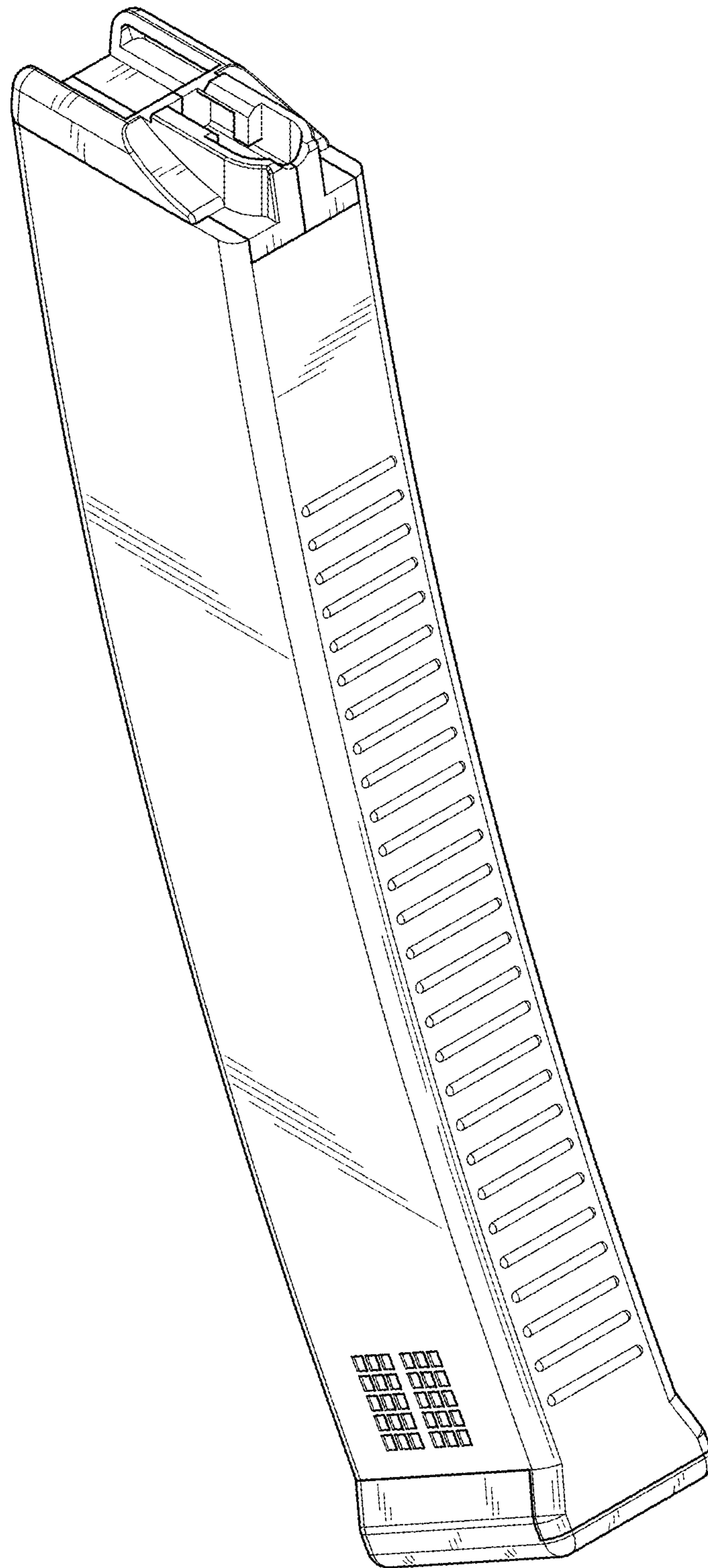


FIG. 1

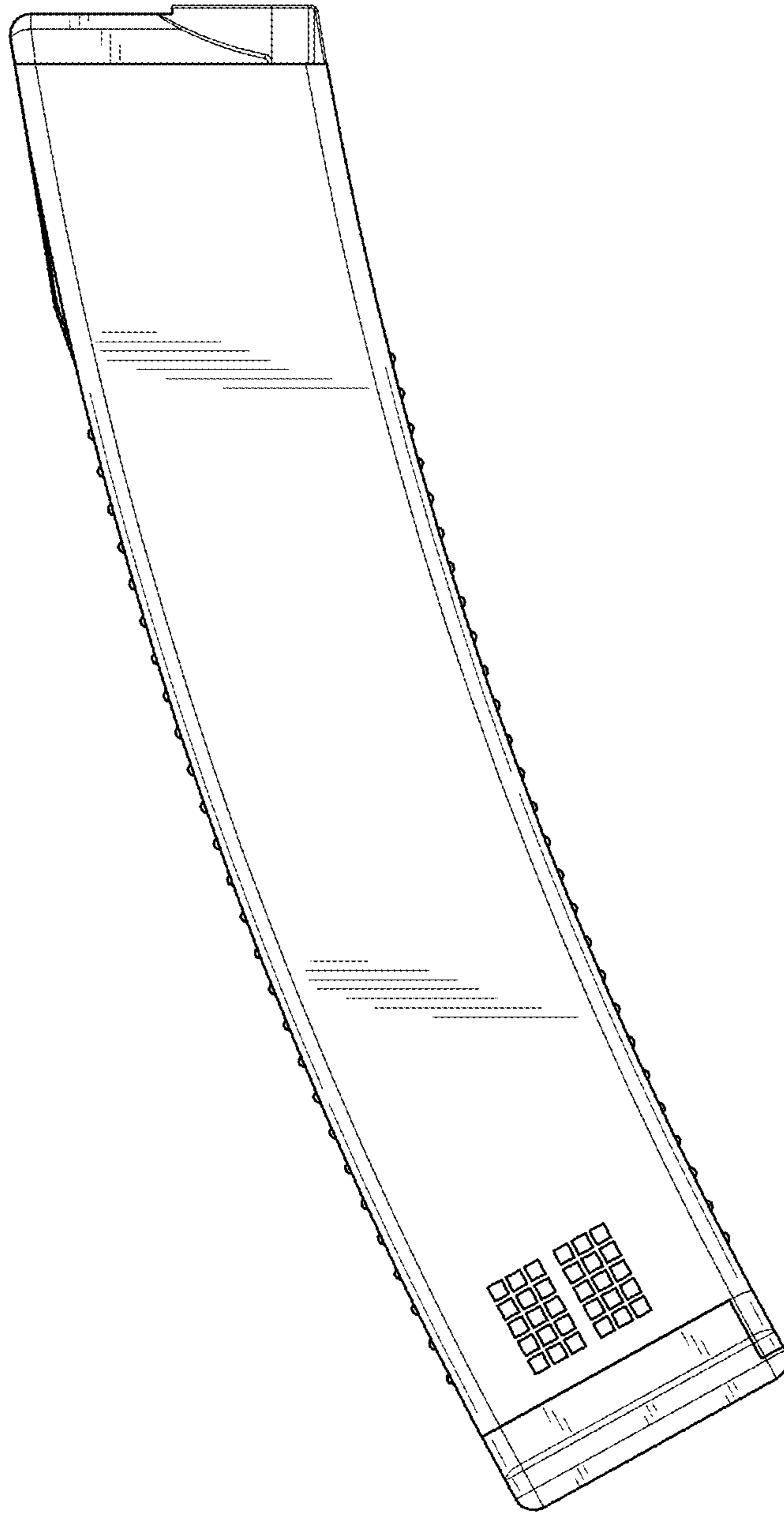


FIG. 2

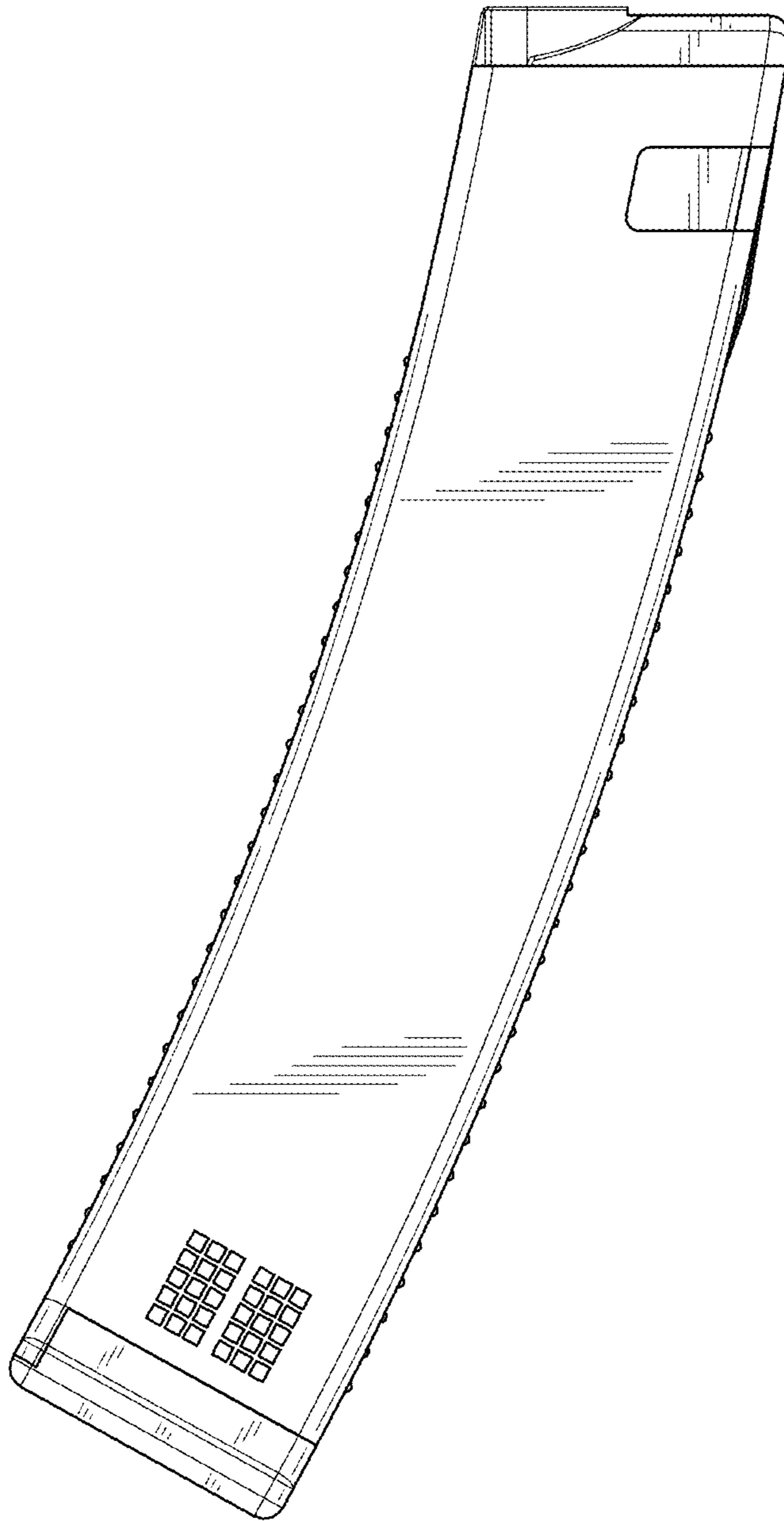


FIG. 3

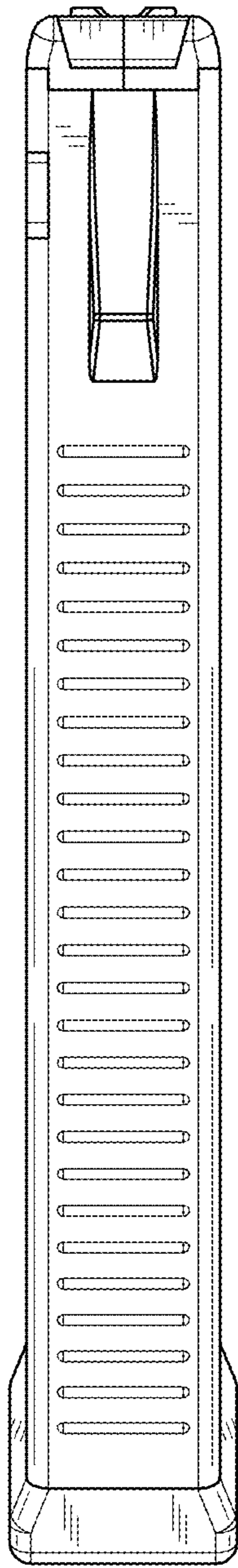


FIG. 4

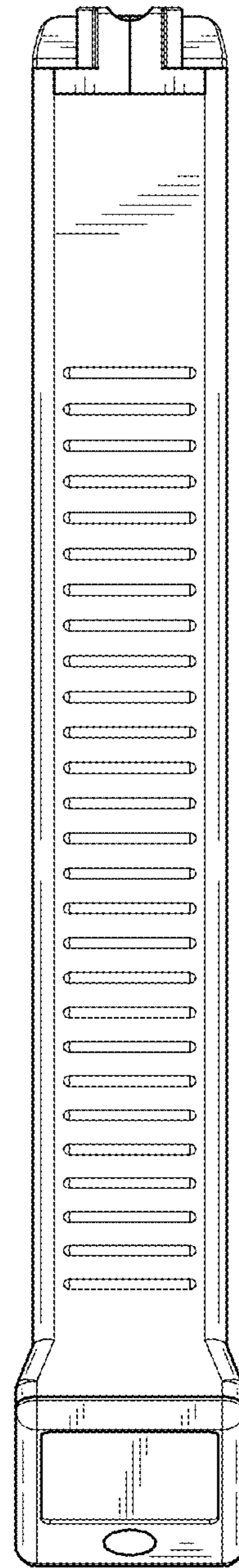


FIG. 5

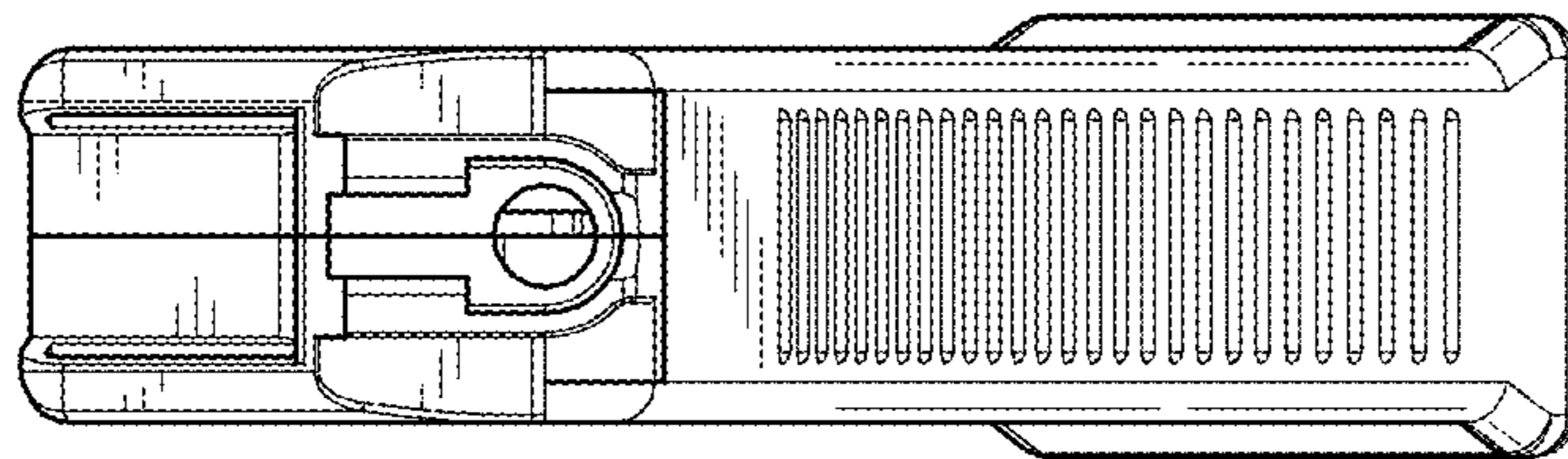


FIG. 6

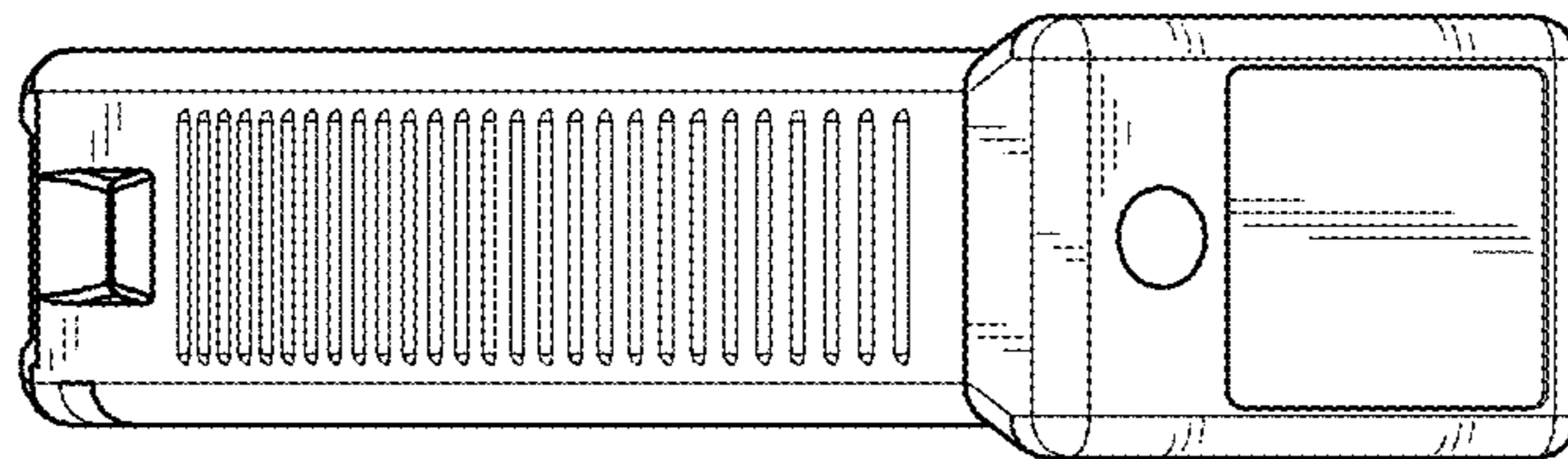


FIG. 7

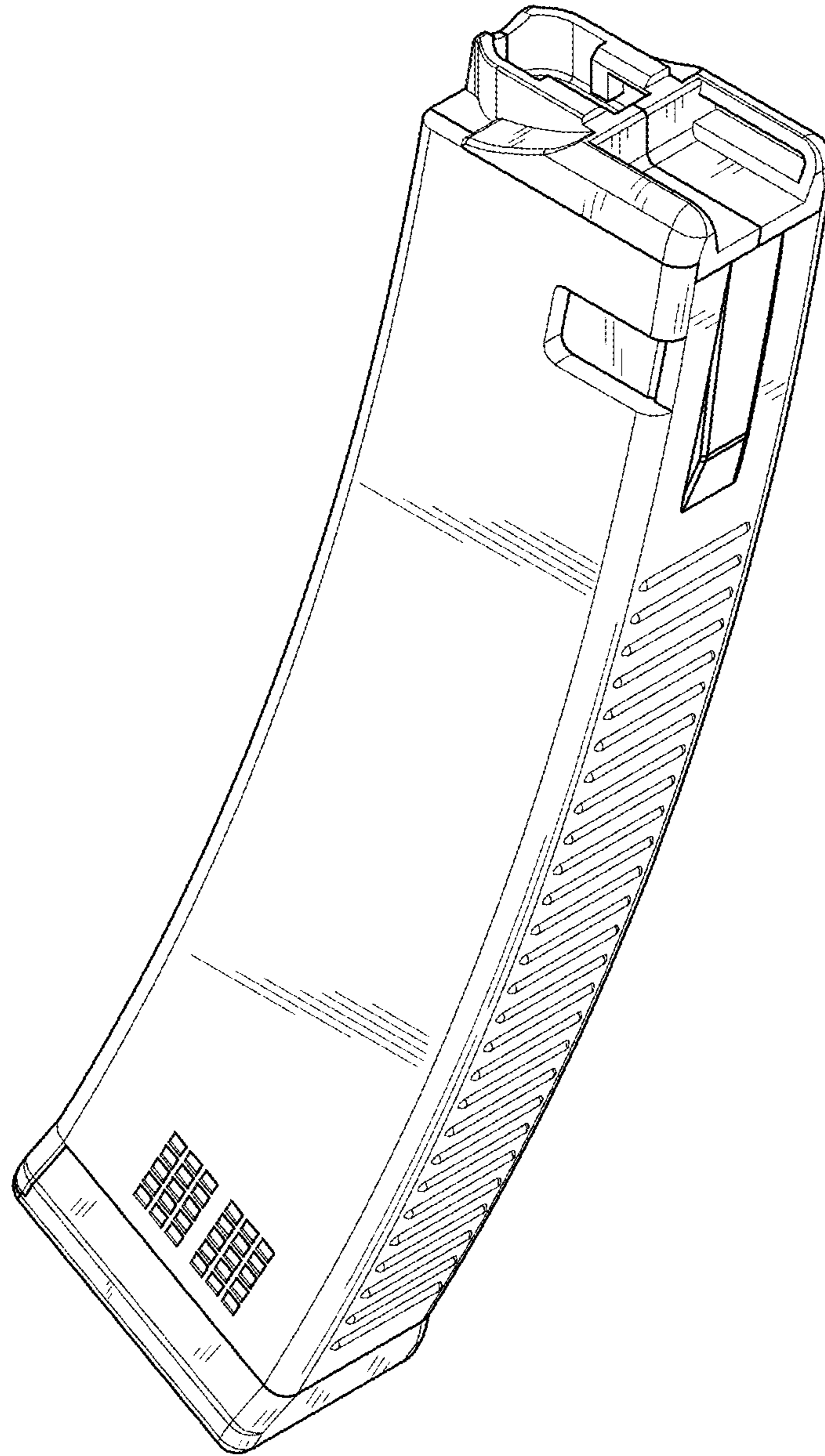


FIG. 8