



US00D877264S

(12) **United States Design Patent**  
**Greenfeld**

(10) **Patent No.:** **US D877,264 S**  
(45) **Date of Patent:** **\*\* Mar. 3, 2020**

(54) **CHILDREN'S TOY ASSEMBLY KIT**

(71) Applicant: **Creativo LLC**, Wilmington, DE (US)  
(72) Inventor: **Oizer Greenfeld**, Wilmington, DE (US)  
(73) Assignee: **CREATIVO LLC**, Wilmington, DE (US)

(\*\*) Term: **15 Years**

(21) Appl. No.: **29/638,295**

(22) Filed: **Feb. 26, 2018**

(51) **LOC (12) Cl.** ..... **21-01**

(52) **U.S. Cl.**  
USPC ..... **D21/495**; D21/494

(58) **Field of Classification Search**  
USPC ..... D21/478, 479, 484, 485-505; D25/113  
(Continued)

(56) **References Cited**

U.S. PATENT DOCUMENTS

D365,756 S \* 1/1996 Rask ..... D21/485  
D365,857 S \* 1/1996 Lyman ..... D21/491  
(Continued)

*Primary Examiner* — Manpreet S Matharu  
*Assistant Examiner* — Keith J Wilson  
(74) *Attorney, Agent, or Firm* — Ostrolenk Faber LLP

(57) **CLAIM**

The ornamental design for a children's toy assembly kit, as shown and described.

**DESCRIPTION**

FIG. 1 is a perspective of a children's toy assembly kit made of toy kit components.  
FIG. 2 is a top view of a main block component of the children's toy assembly kit, the bottom view being symmetrical.

FIG. 3 is a right side view of the main block of FIG. 2, the left side being symmetrical.  
FIG. 4 is a front view of the main block component of FIG. 2 with the rear view being symmetrical.  
FIG. 5 is a perspective of a wheel component of the children's toy assembly kit of FIG. 1.  
FIG. 6 is a side view of FIG. 5 which is symmetrical in all rotational directions.  
FIG. 7 is a first end view of the wheel component of FIG. 5.  
FIG. 8 is a second, opposed end view of the wheel component of FIG. 5.  
FIG. 9 is a perspective of a tool component of the children's toy assembly kit of FIG. 1.  
FIG. 10 is another perspective of a tool component of the children's toy assembly kit of FIG. 1.  
FIG. 11 is a front view of the tool of FIG. 9.  
FIG. 12 is a rear view of the tool component of FIG. 9.  
FIG. 13 is a side view of FIG. 9, the other side view being symmetrical.  
FIG. 14 is a rear end view of FIG. 9.  
FIG. 15 is a front end view of FIG. 9.  
FIG. 16 is a perspective of a six sided cube component of the children's toy assembly kit of FIG. 1.  
FIG. 17 is a side view of the six sided cube component, the other five side views being symmetrical.  
FIG. 18 is a front view of a plate component of the children's toy assembly kit of FIG. 1, the rear view being symmetrical.  
FIG. 19 is a long side view of the plate component of FIG. 18, the opposed long side view being symmetrical.  
FIG. 20 is a short side view of the plate of FIG. 18, the opposed short side view being symmetrical.  
FIGS. 21, 22 and 23 are perspectives of a corner component of the children's toy assembly kit of FIG. 1.  
FIG. 24 is a side view of the corner component of FIG. 21, the opposed side view being symmetrical.  
FIG. 25 is a top view of the corner component of FIG. 21.  
FIG. 26 is a bottom view of FIG. 21.  
FIG. 27 is a perspective of a screw component of the children's toy assembly kit of FIG. 1.  
FIG. 28 is a side view of FIG. 27, the opposed side view being symmetrical.  
FIG. 29 is a top view of FIG. 27.  
FIG. 30 is a bottom view of FIG. 27.

(Continued)

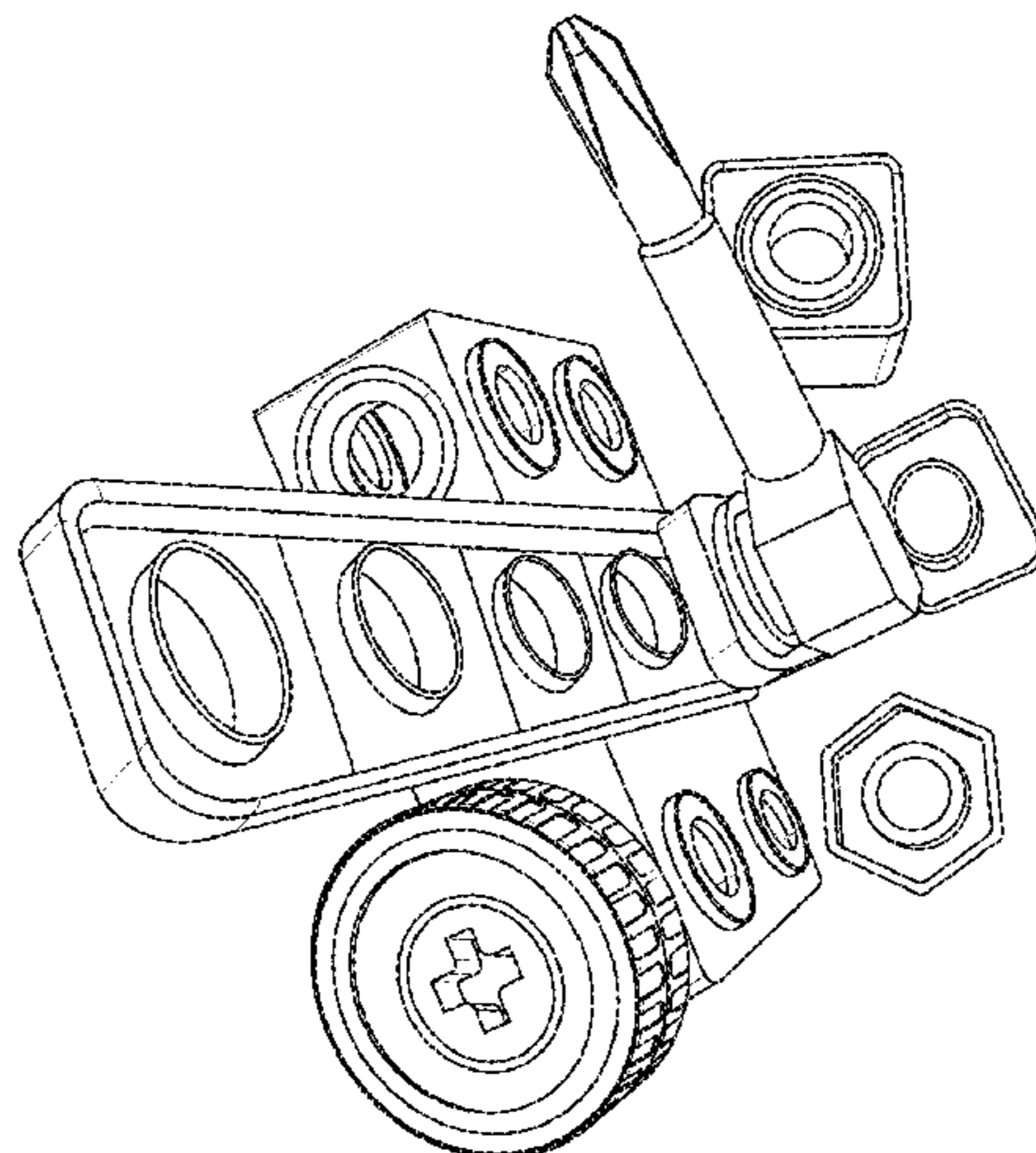


FIG. 31 is a perspective of a nut component of the children's toy assembly kit of FIG. 1.

FIG. 32 is an edge view of FIG. 31, with the opposed edge being symmetrical; and,

FIG. 33 is a side view of FIG. 31, with the opposed side view being symmetrical.

**1 Claim, 17 Drawing Sheets**

(58) **Field of Classification Search**

CPC ..... A63H 33/00; A63H 33/04; A63H 33/06;  
A63H 33/08; A63H 33/10; A63H 33/12;  
A63H 33/14; A63H 33/101; A63F  
9/0608; A63F 9/12

See application file for complete search history.

(56) **References Cited**

U.S. PATENT DOCUMENTS

D377,671 S *	1/1997	Gabriel .....	D21/500
D389,408 S *	1/1998	Rask .....	D21/491
D652,087 S *	1/2012	Dawes .....	D21/489
D726,822 S *	4/2015	Andre .....	D19/136
D726,823 S *	4/2015	Andre .....	D19/136
D786,364 S *	5/2017	Richards .....	D21/484
D830,478 S *	10/2018	Kichijo .....	D21/495
D830,479 S *	10/2018	Kichijo .....	D21/495
D833,540 S *	11/2018	Zhang .....	D21/486
D833,541 S *	11/2018	Barwald .....	D21/491
D835,728 S *	12/2018	Clemmer .....	D21/484
2002/0065016 A1 *	5/2002	Huang .....	A63H 33/042 446/103
2018/0154275 A1 *	6/2018	Semling .....	A63H 33/101

\* cited by examiner

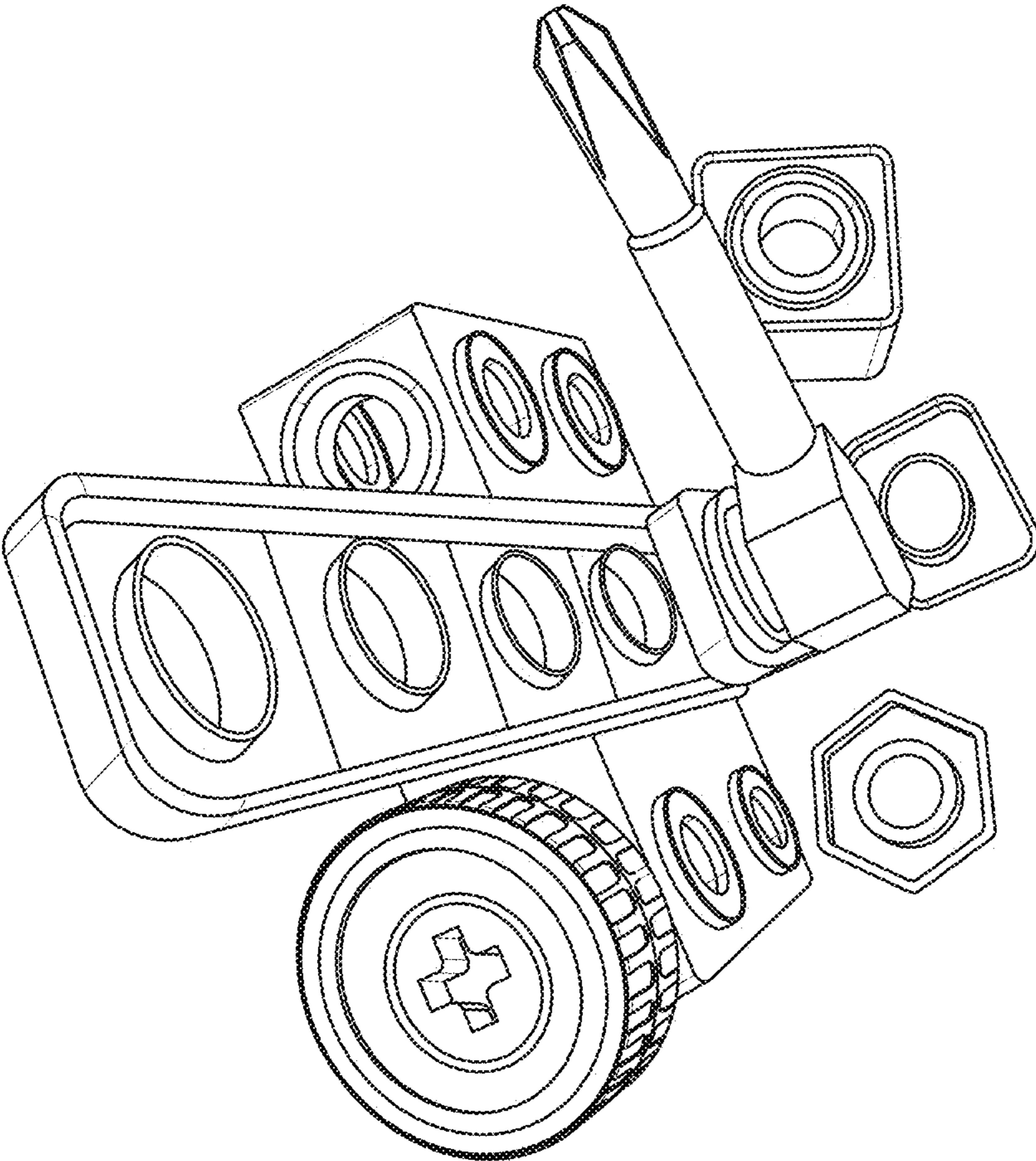


FIG. 1



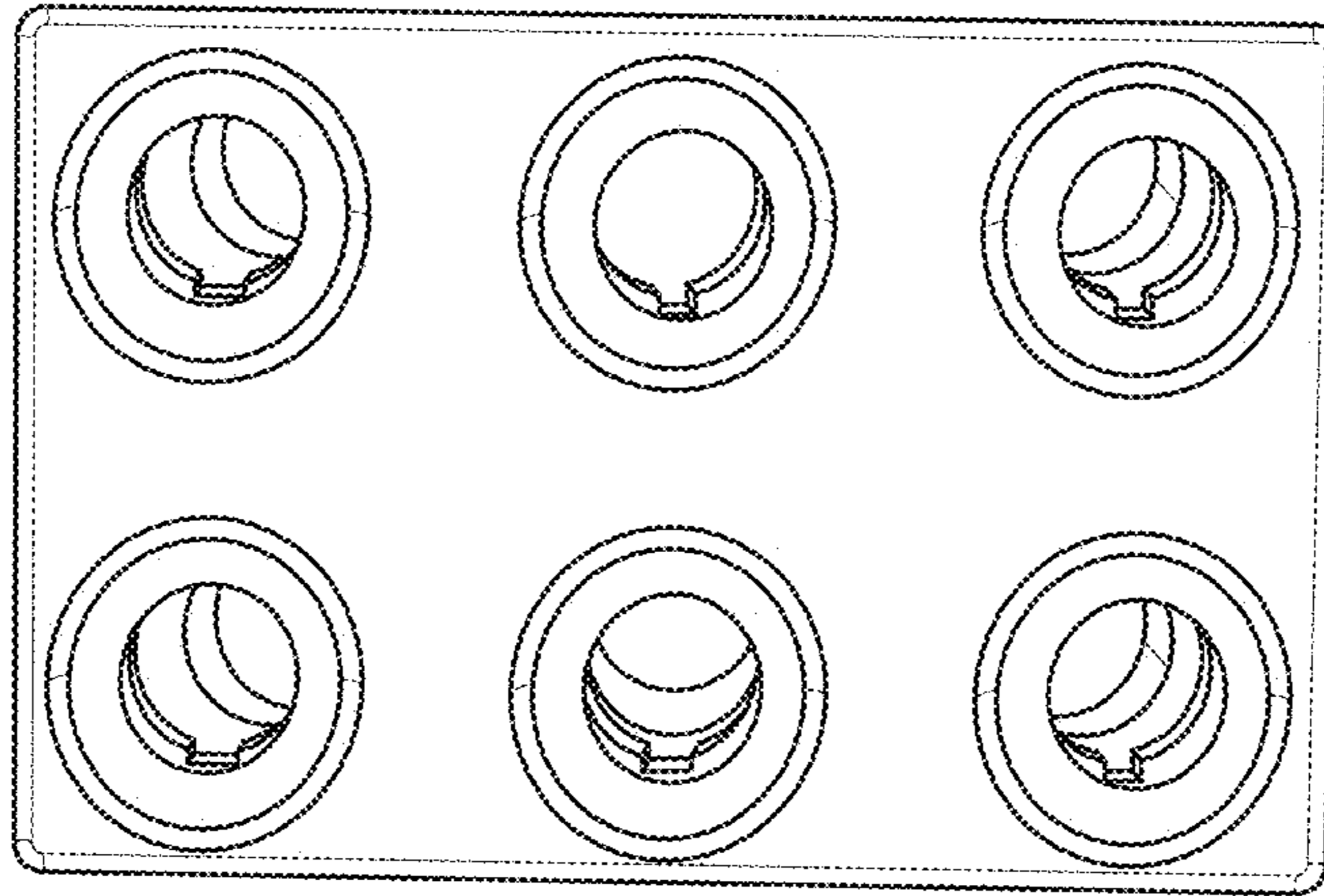


FIG. 2

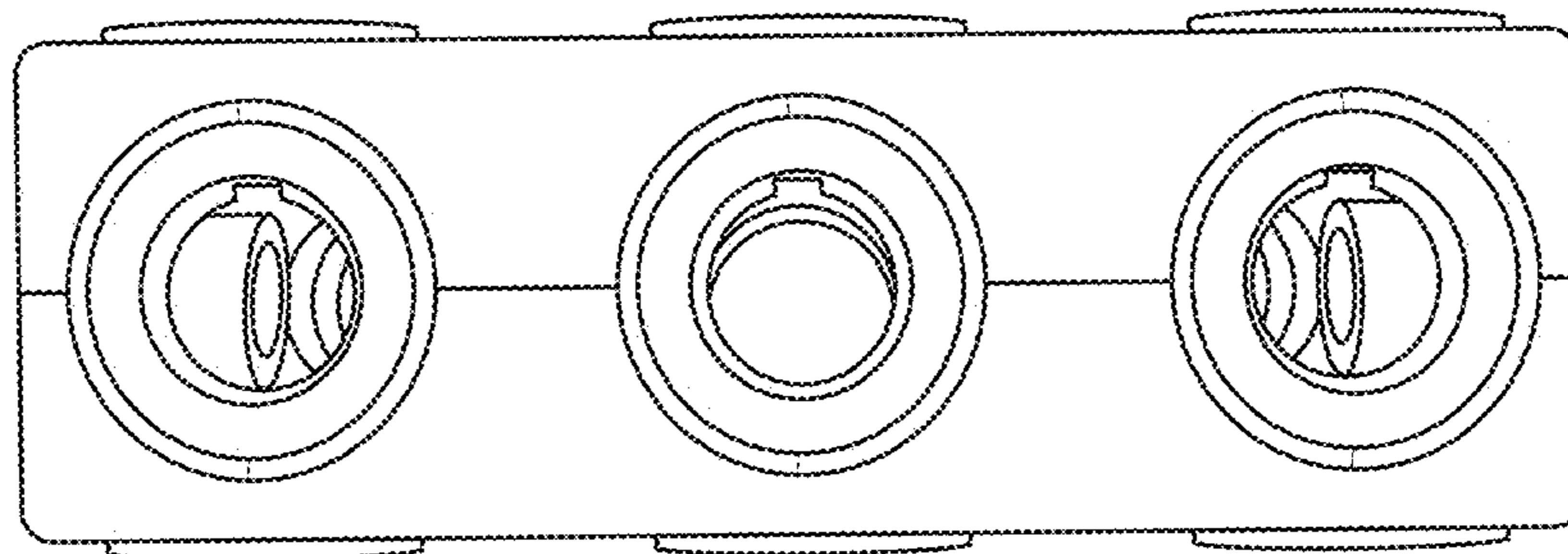


FIG. 3

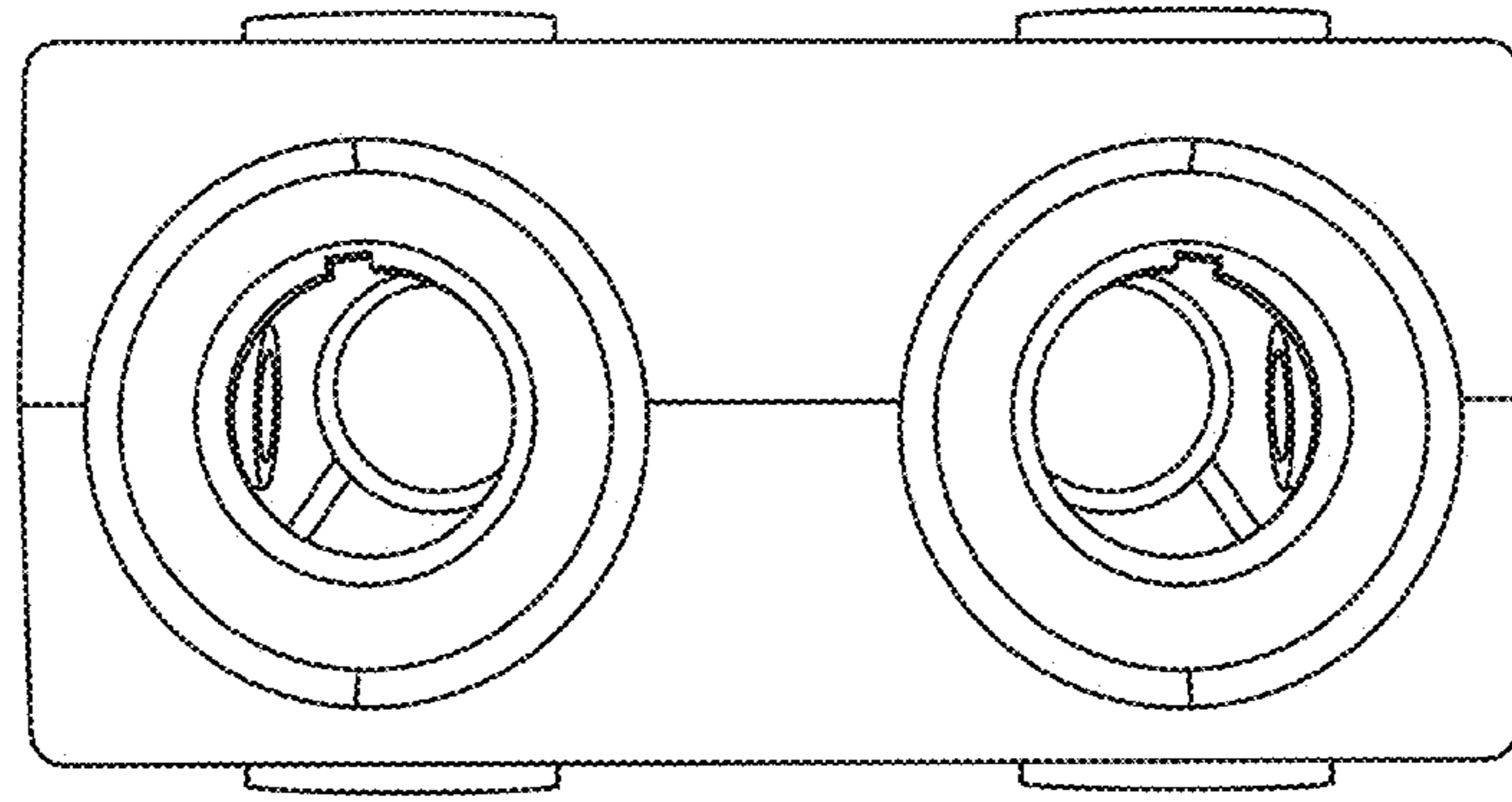


FIG. 4

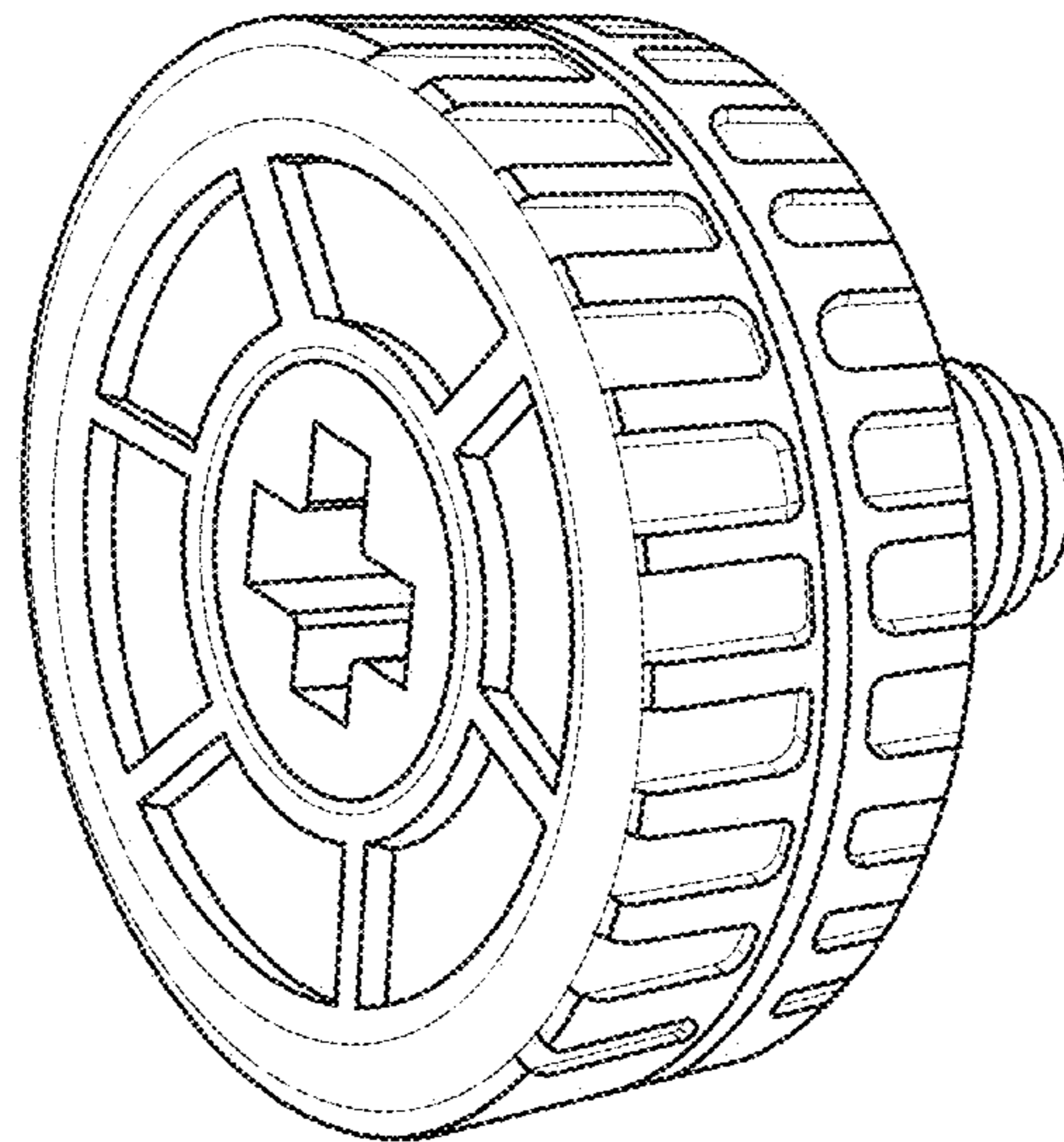


FIG. 5

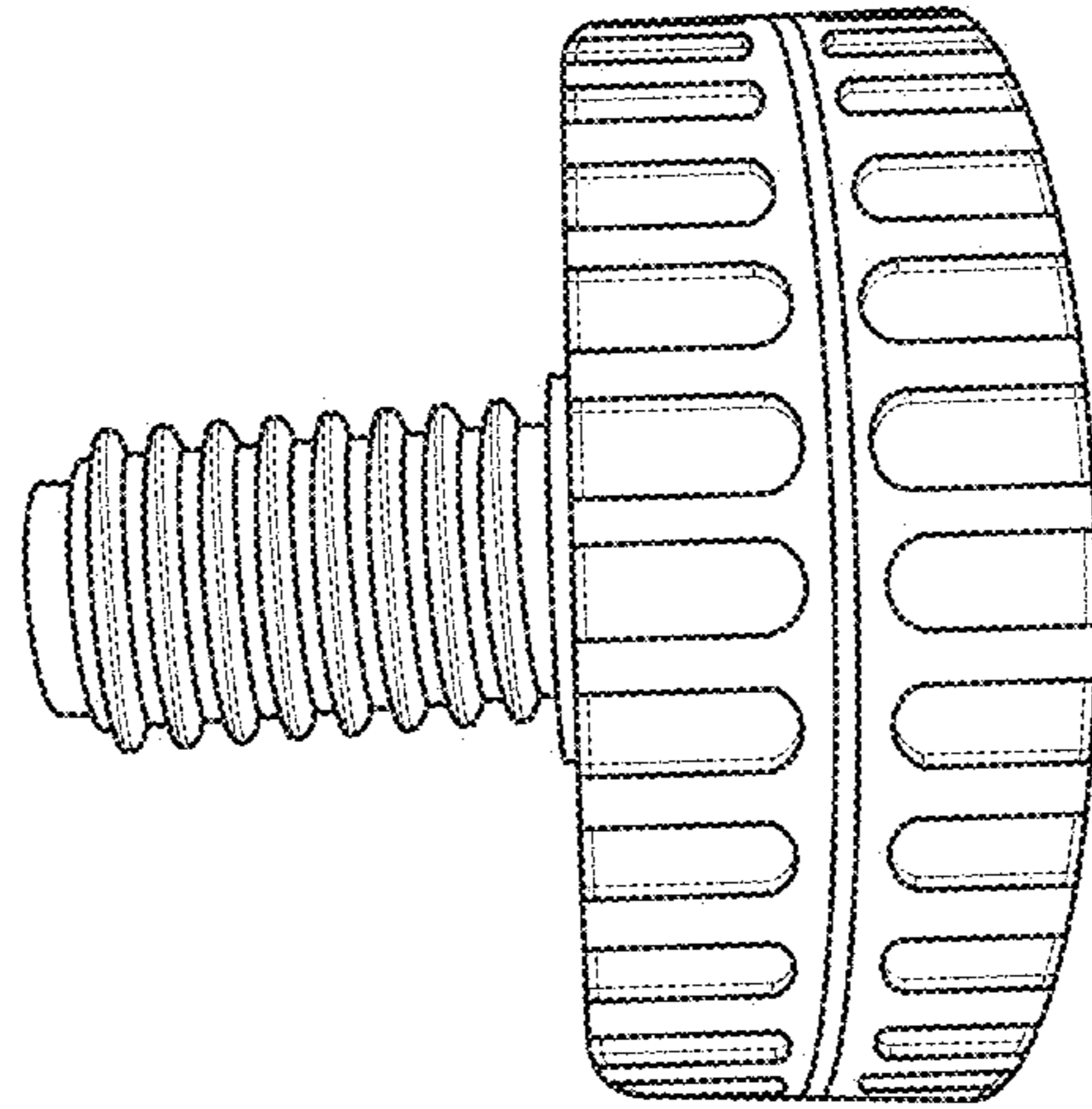


FIG. 6

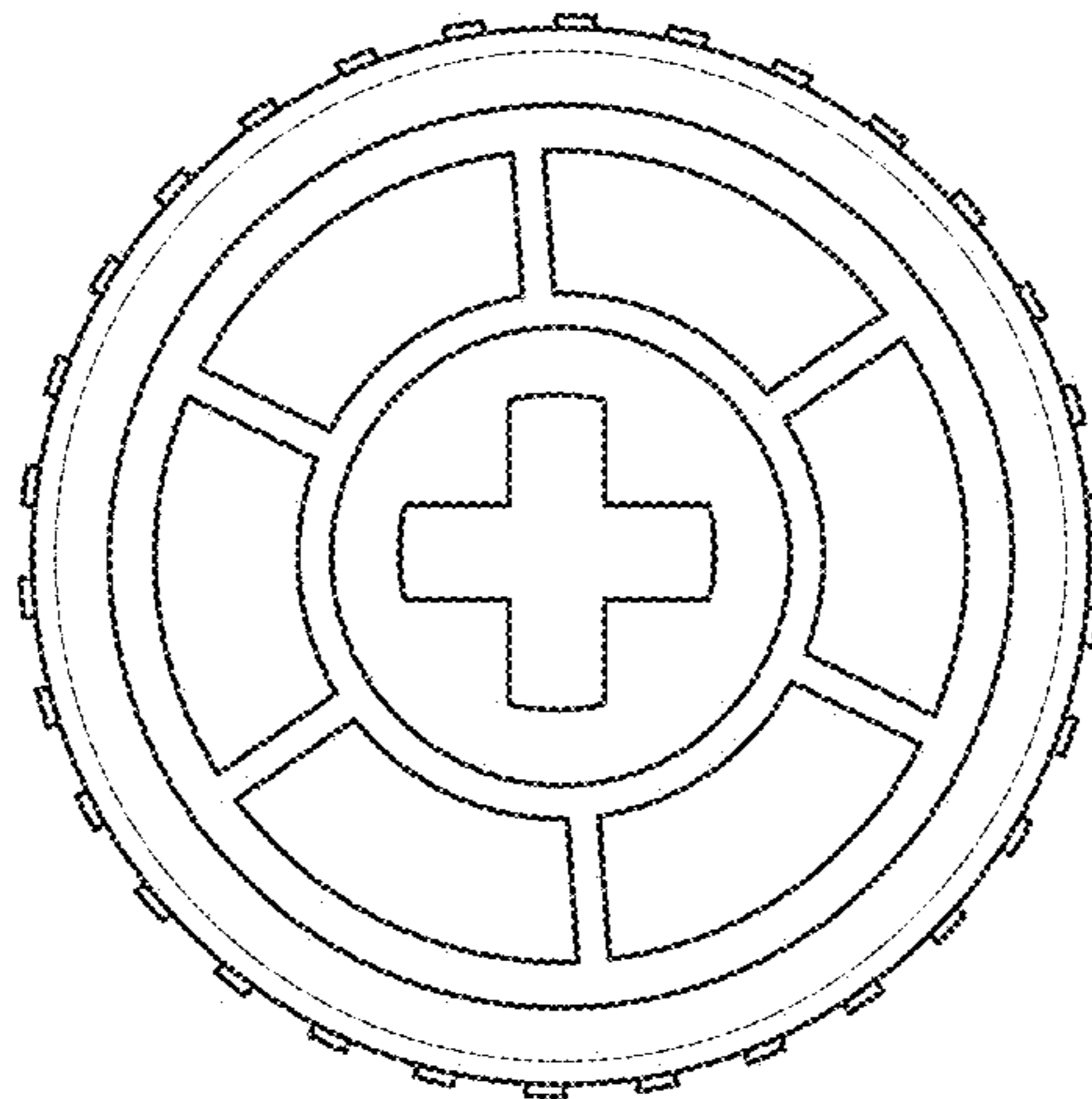


FIG. 7

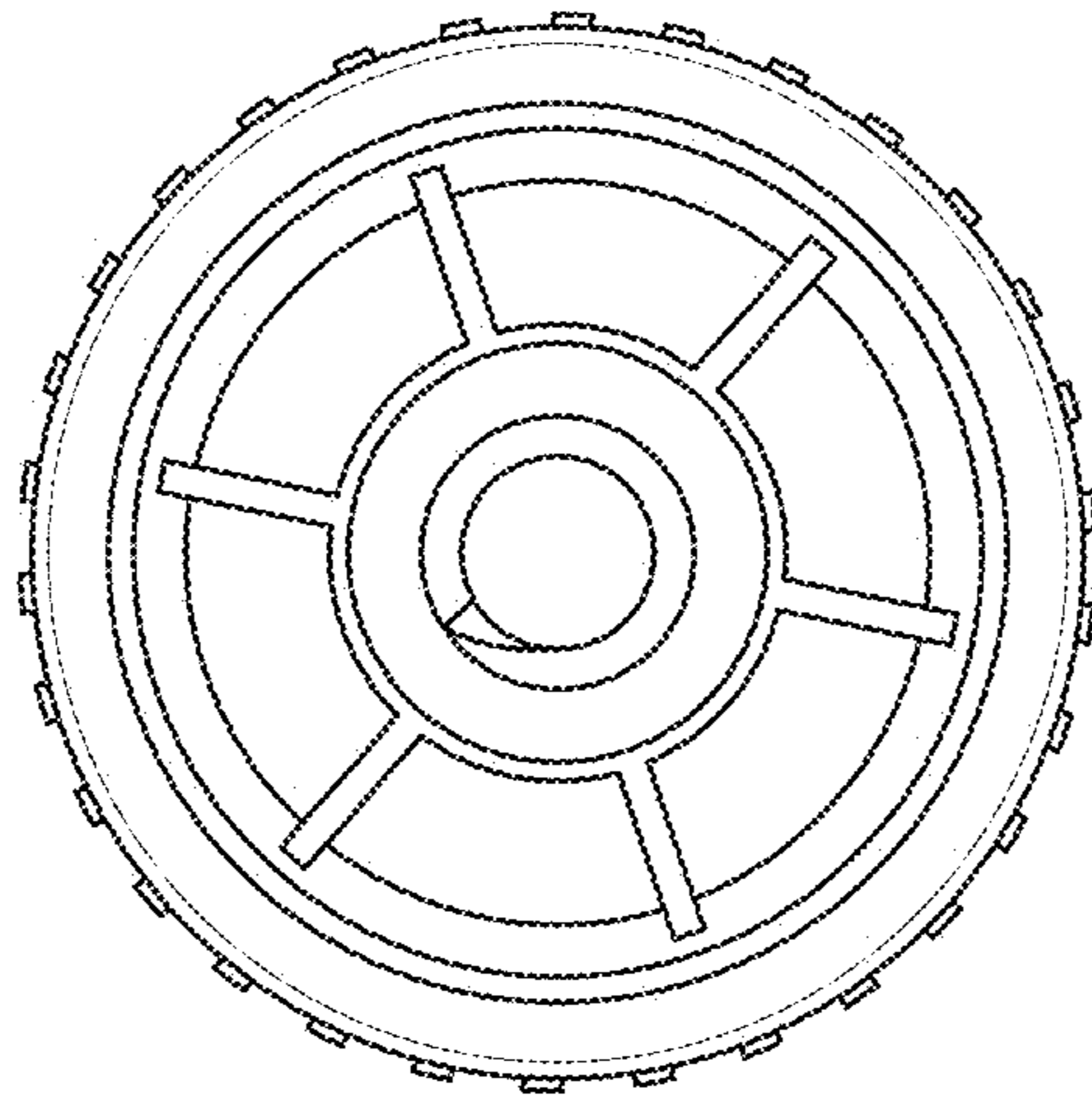


FIG. 8

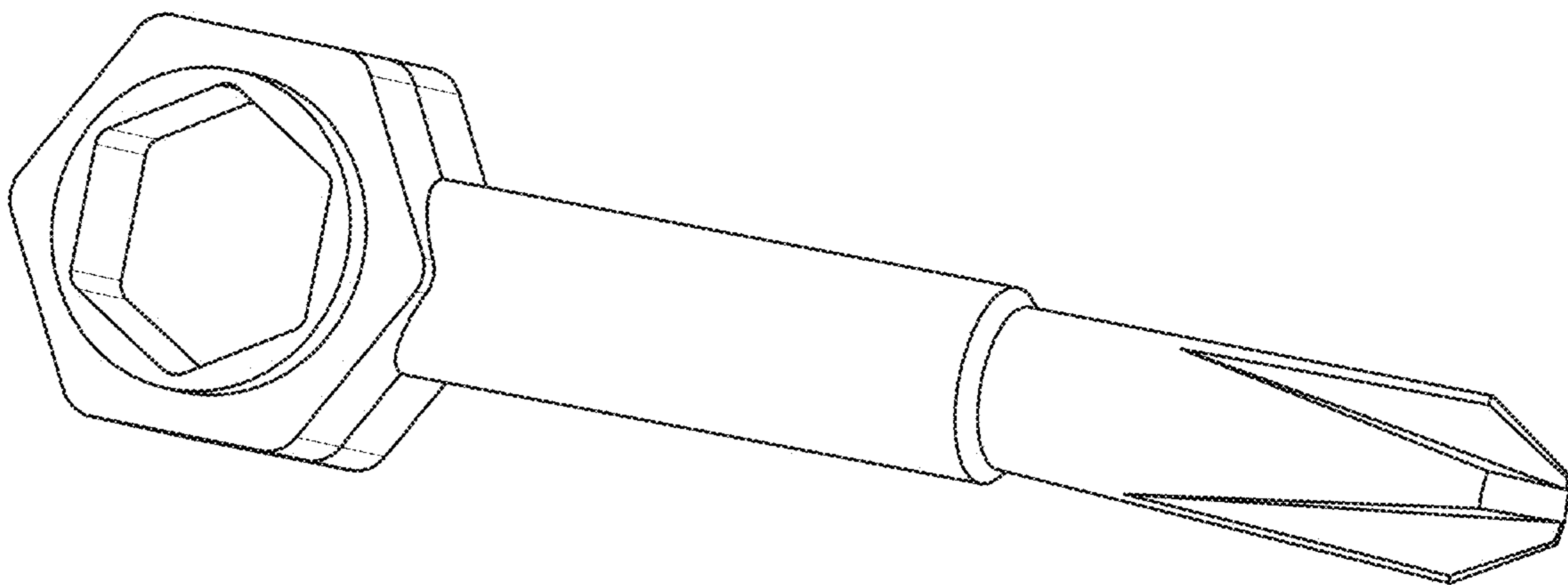


FIG. 9

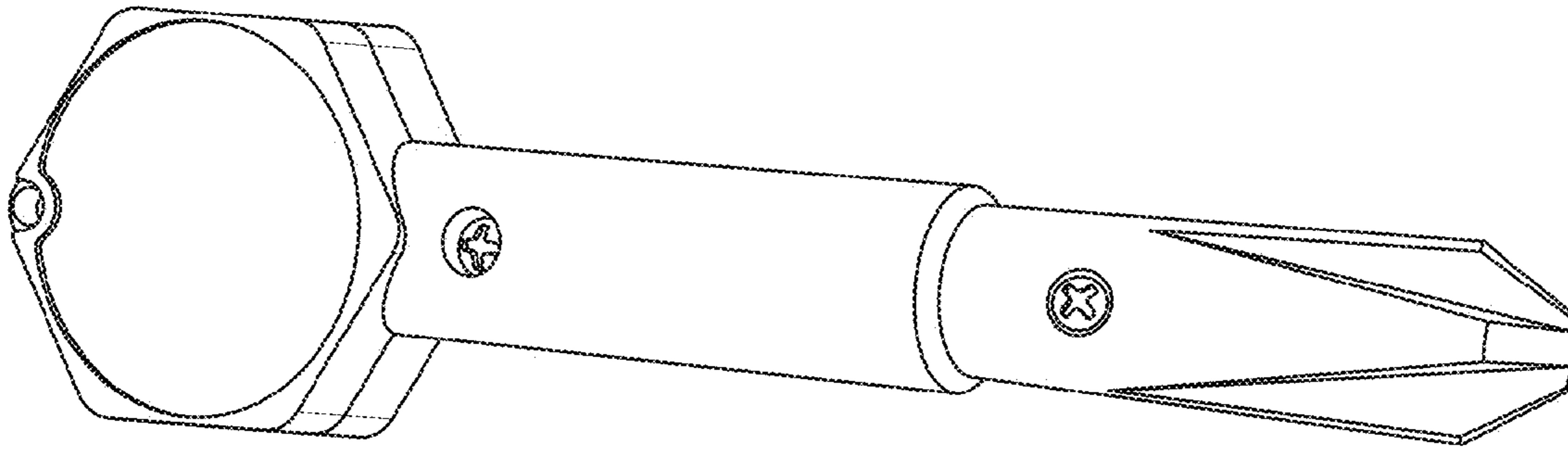


FIG. 10

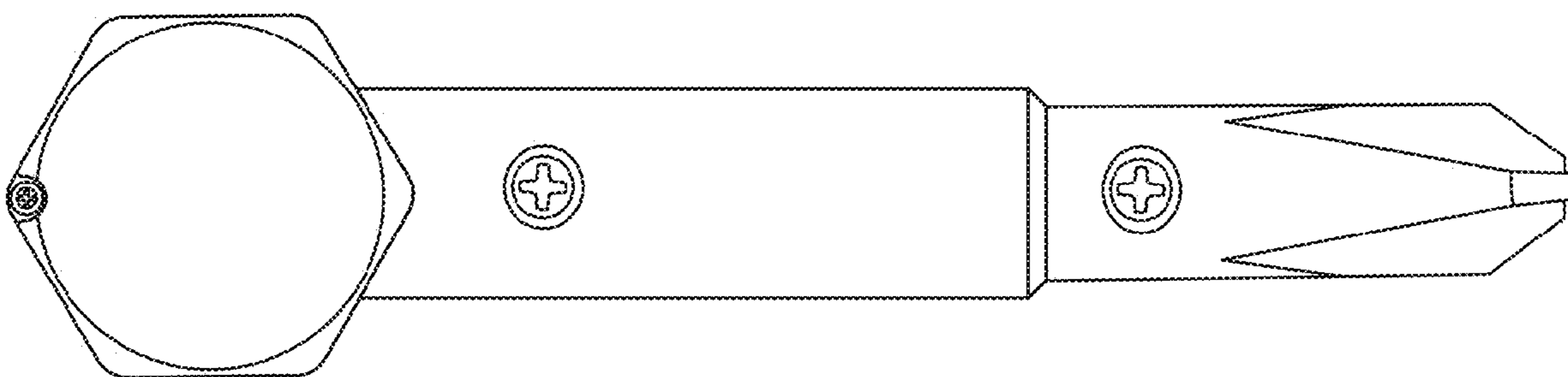


FIG. 11



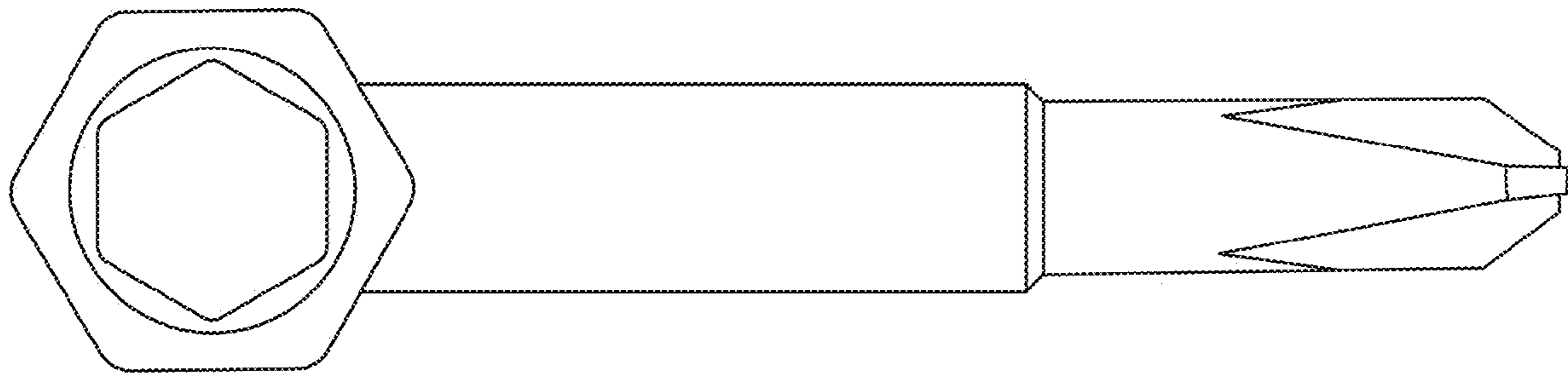


FIG. 12

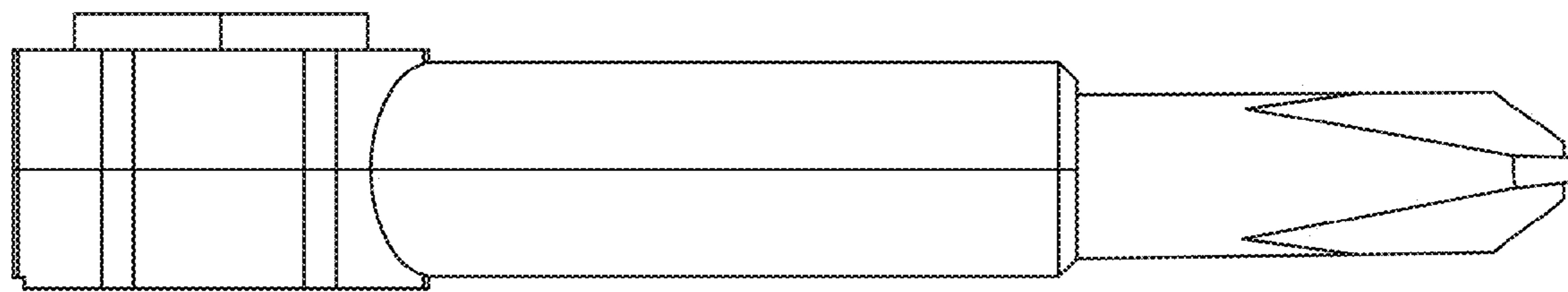


FIG. 13

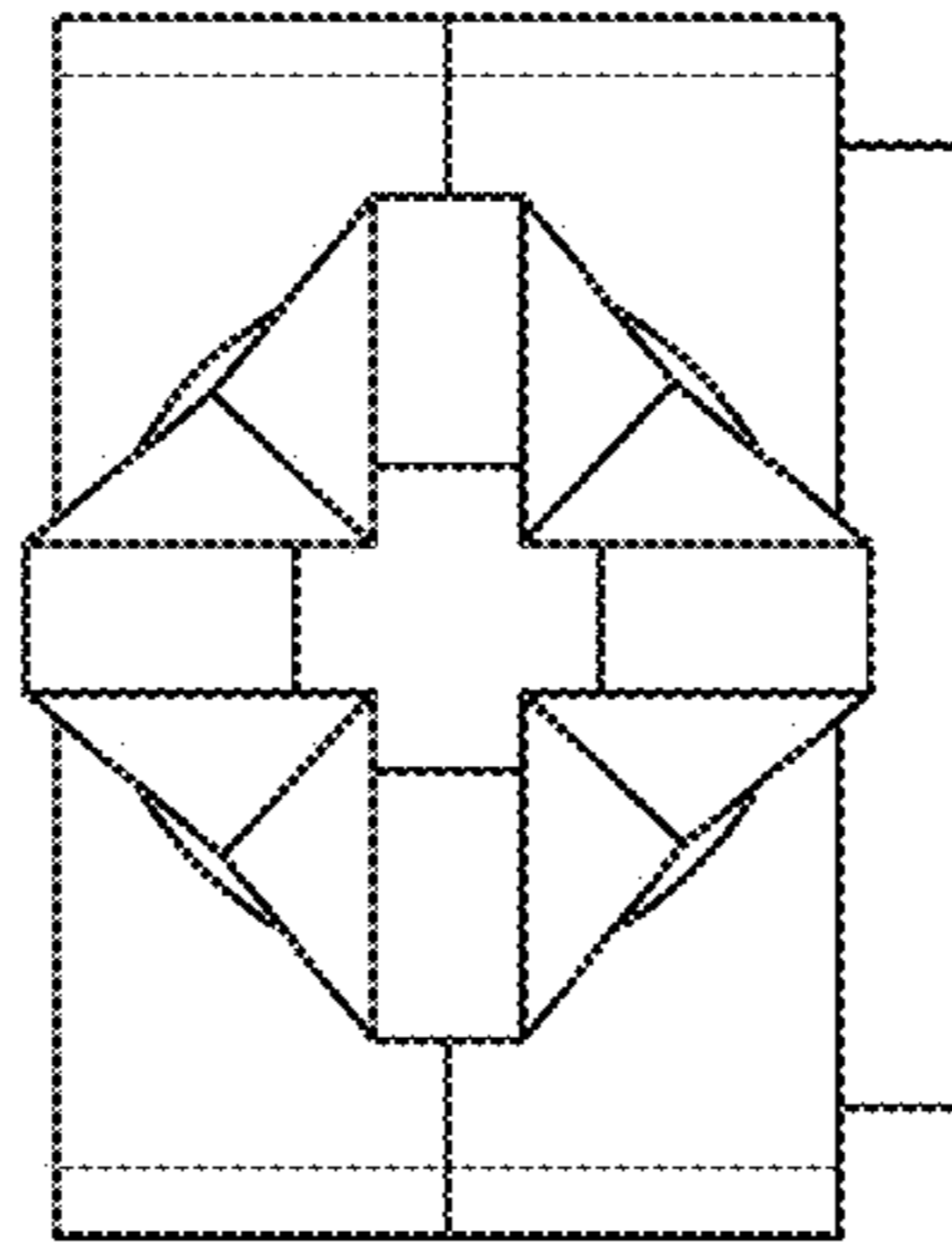


FIG. 14

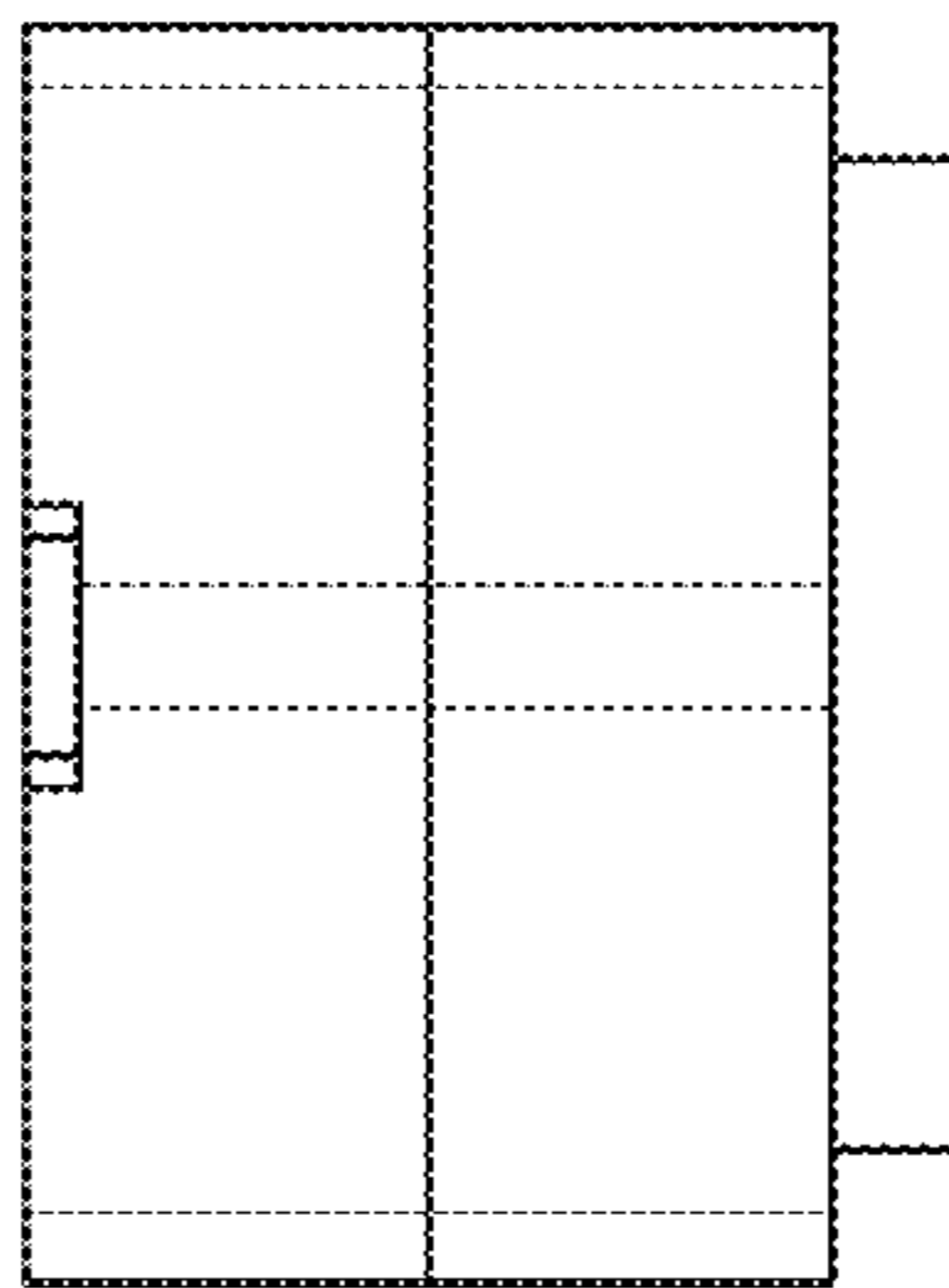


FIG. 15

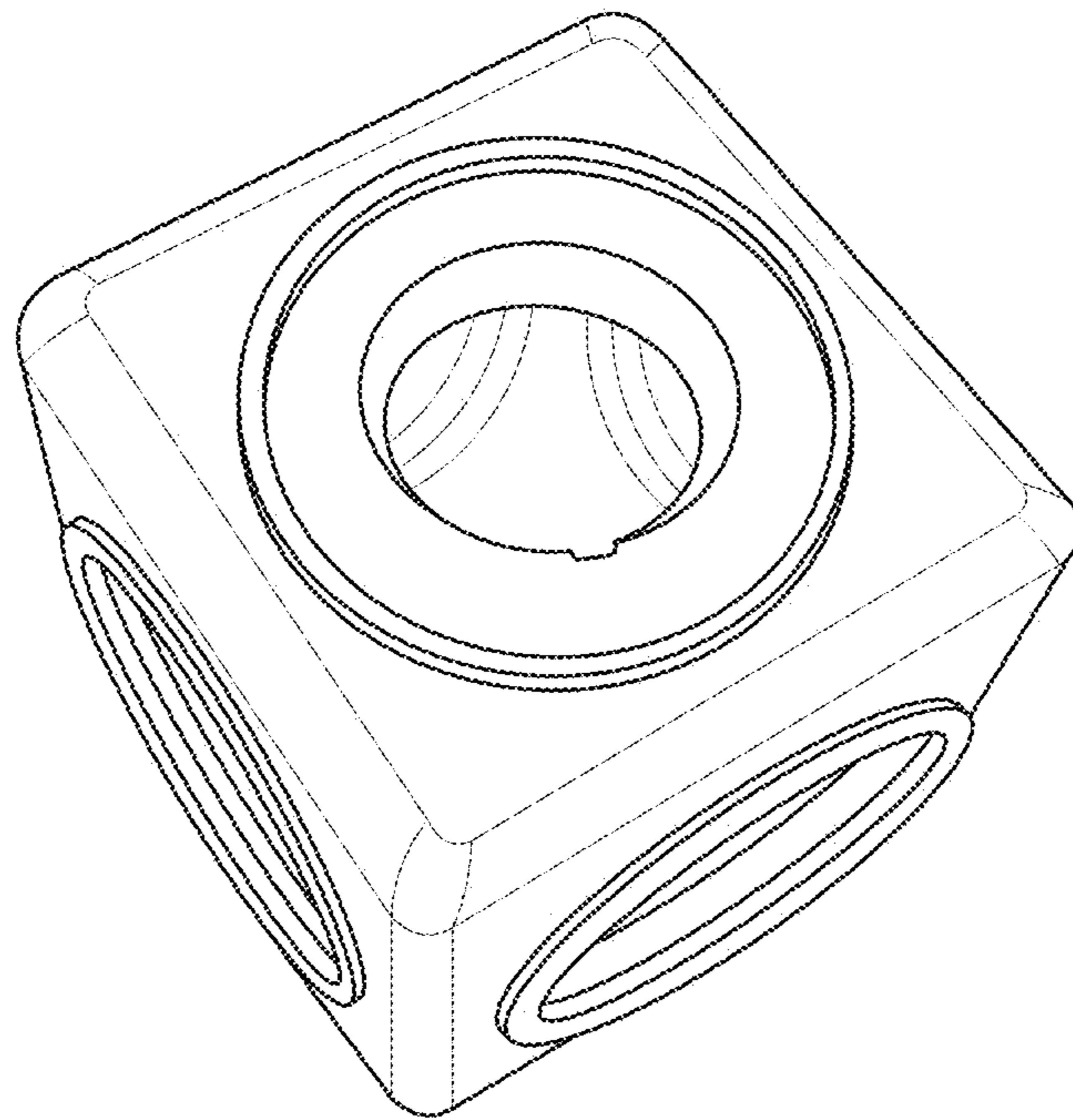


FIG. 16

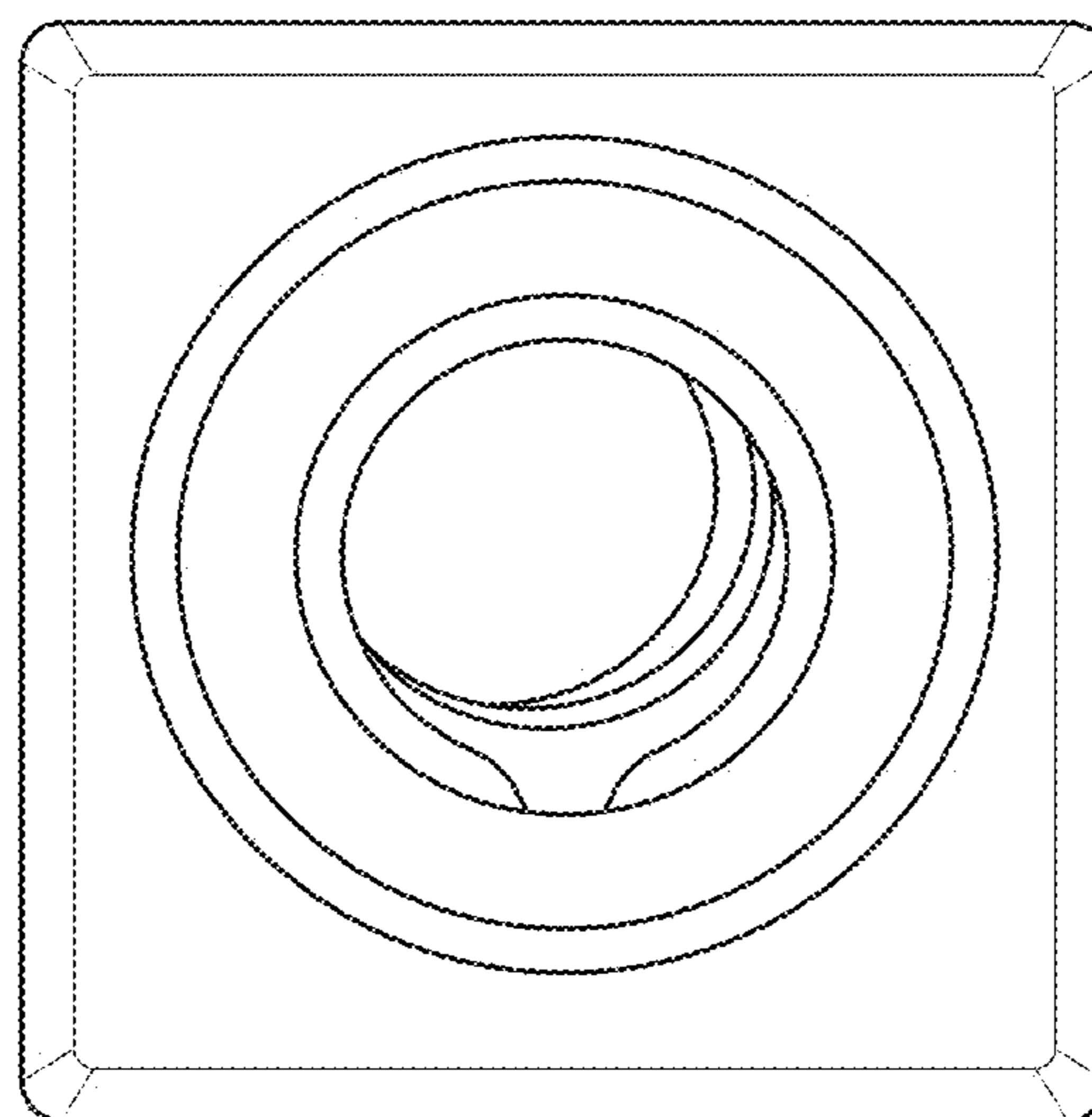


FIG. 17

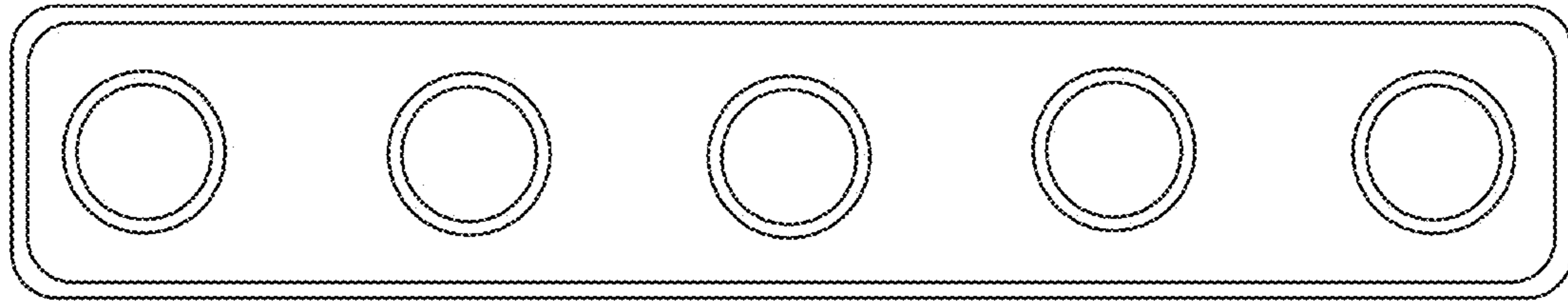


FIG. 18

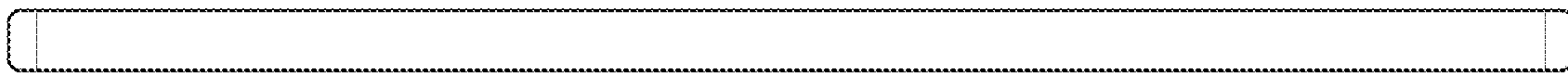


FIG. 19



FIG. 20



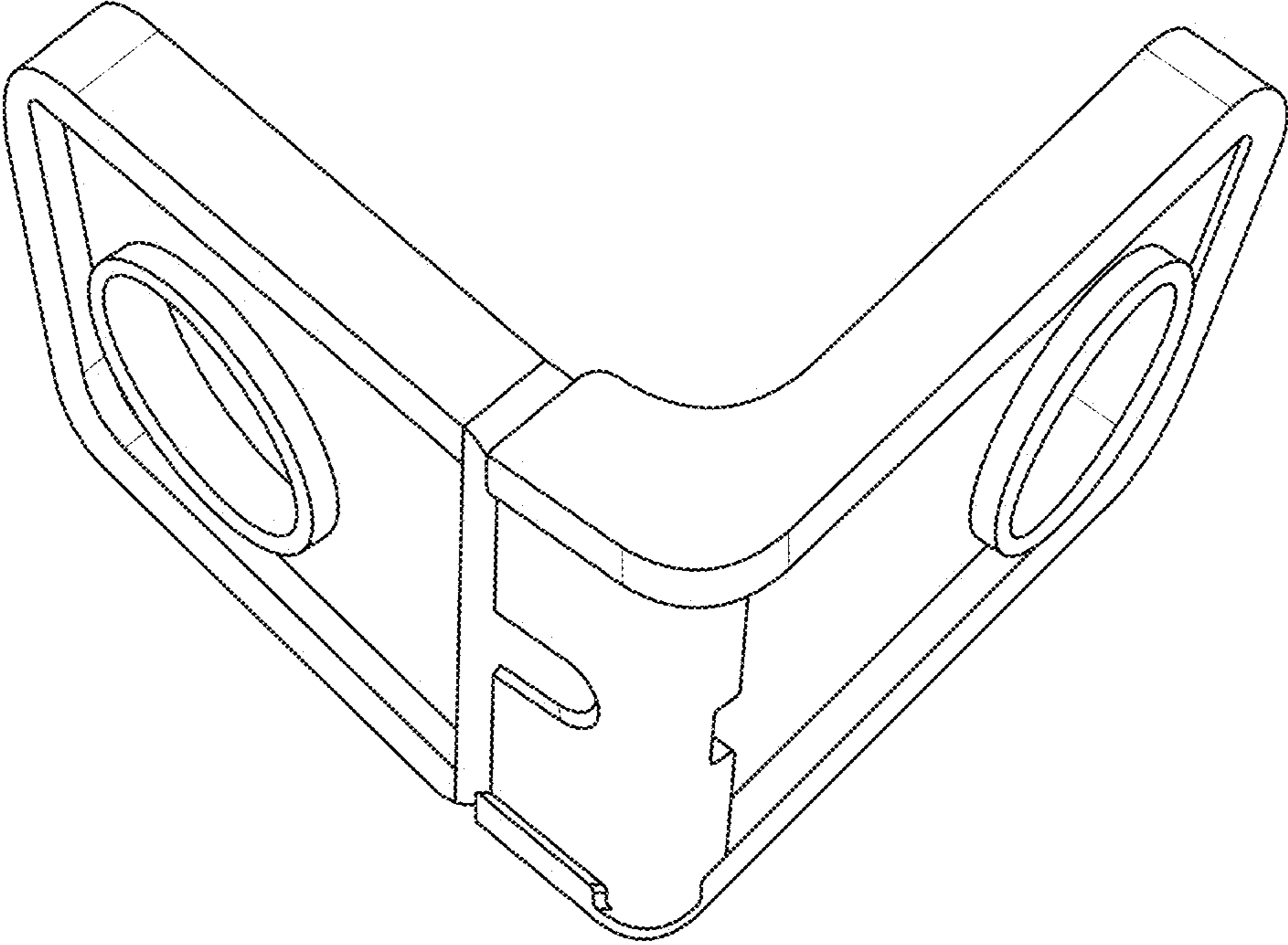


FIG. 21

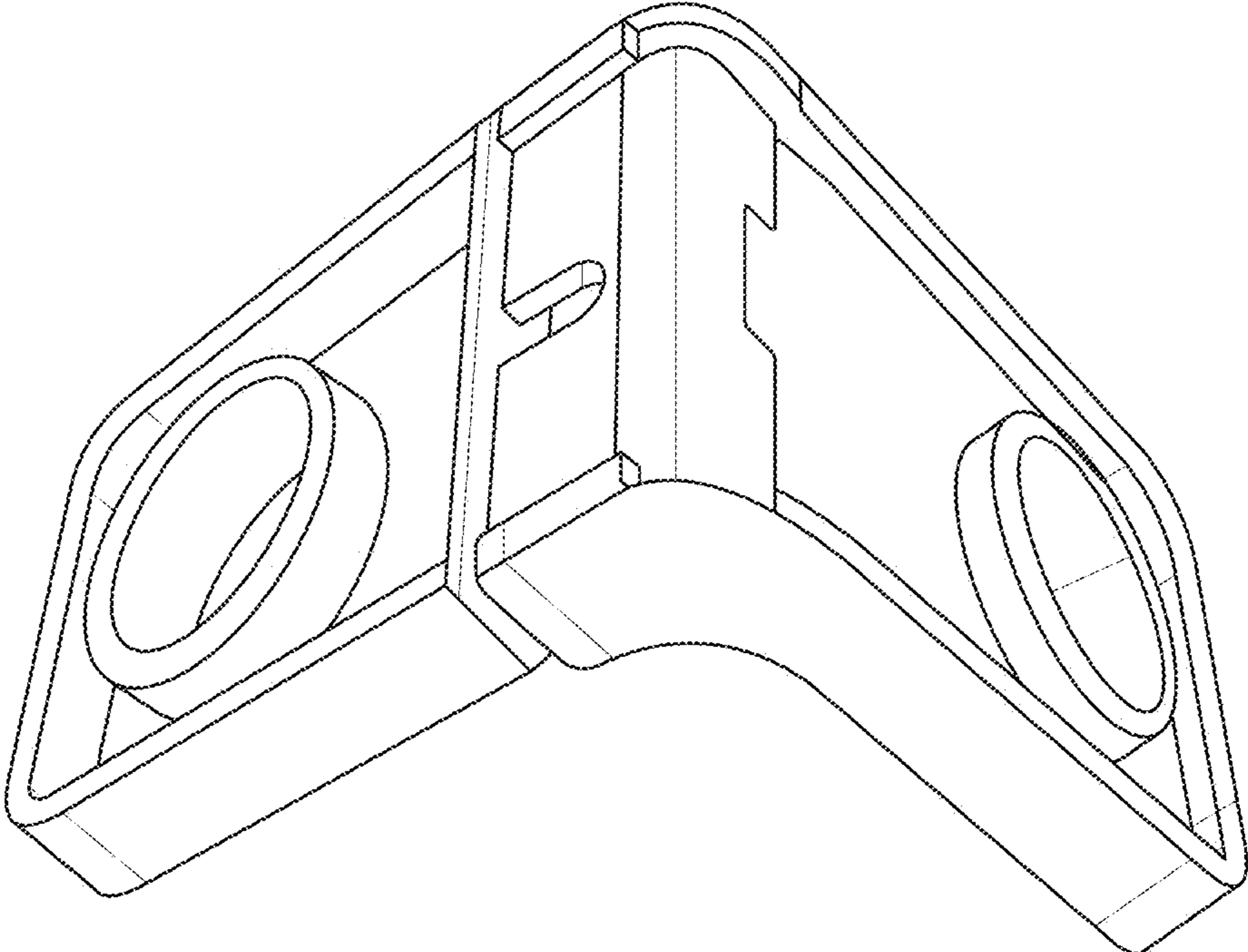


FIG. 22

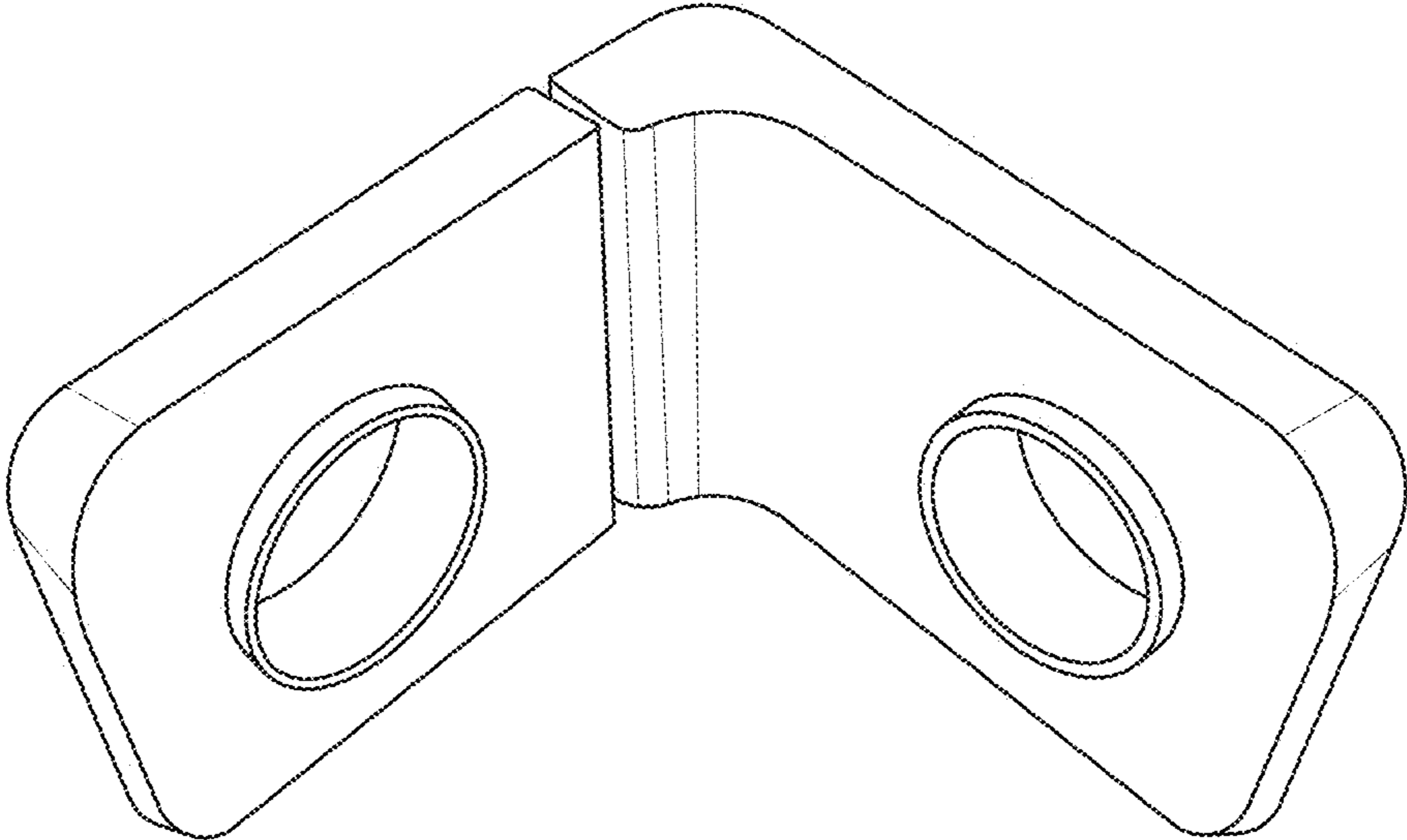


FIG. 23

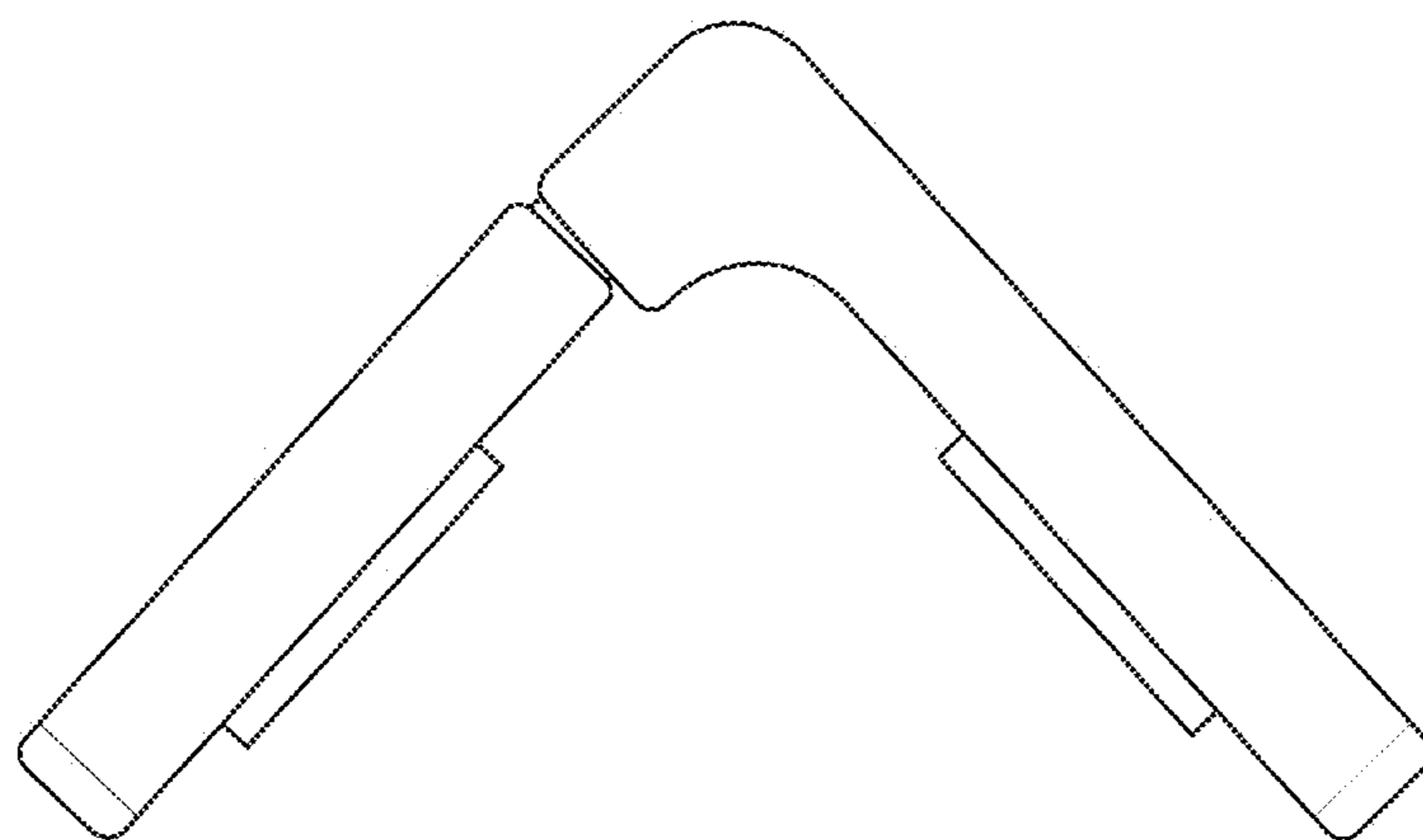


FIG. 24

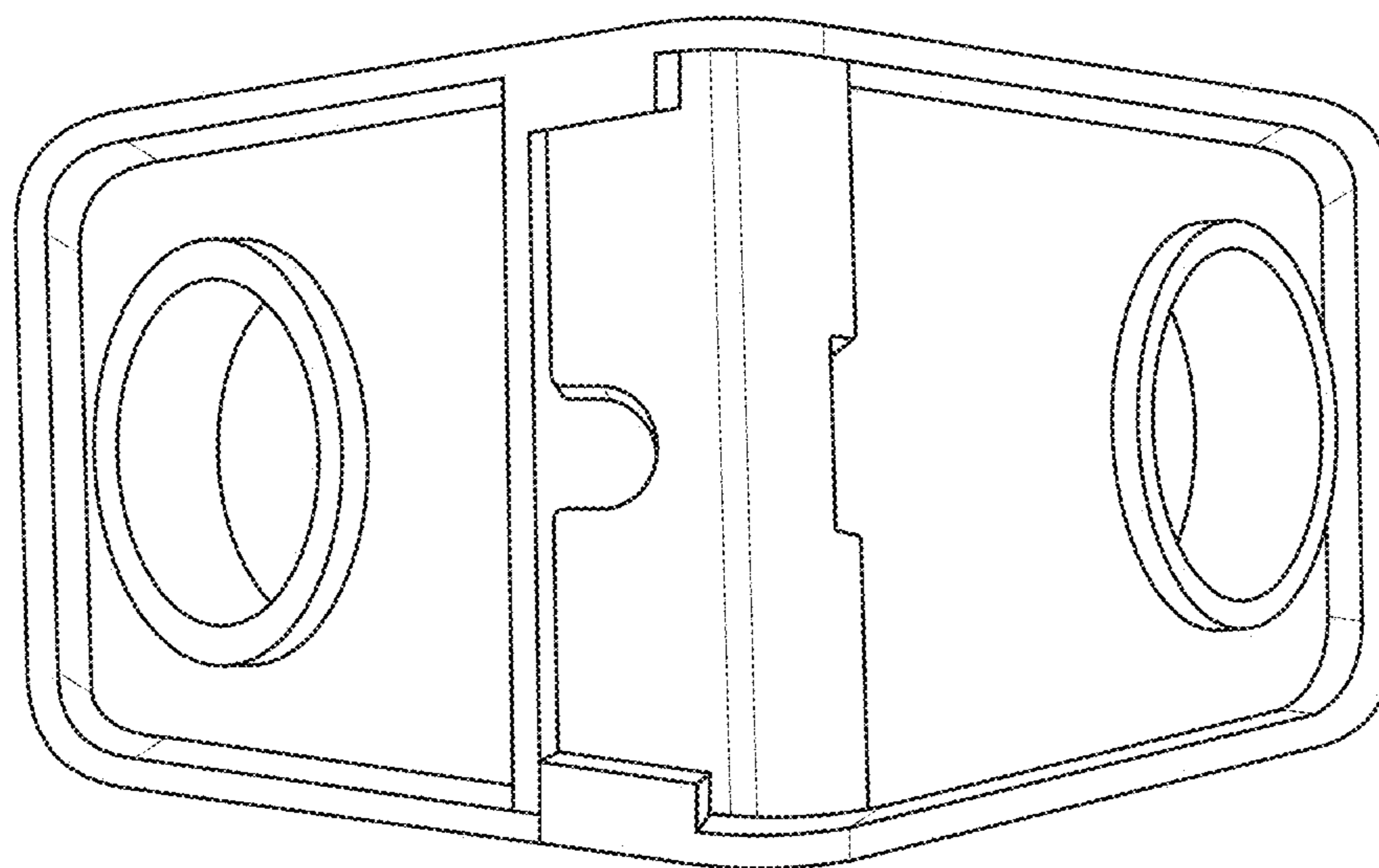


FIG. 25

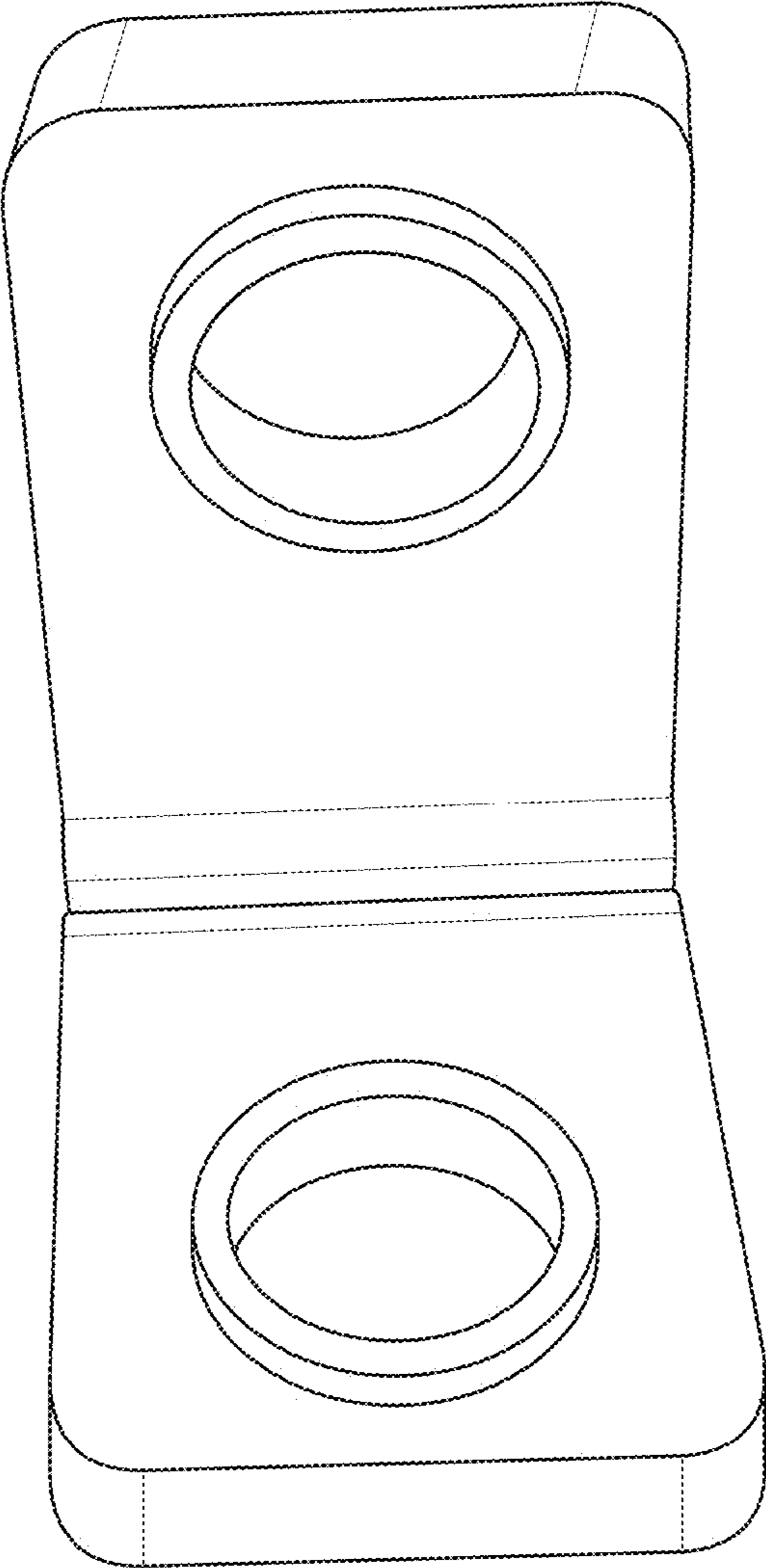


FIG. 26

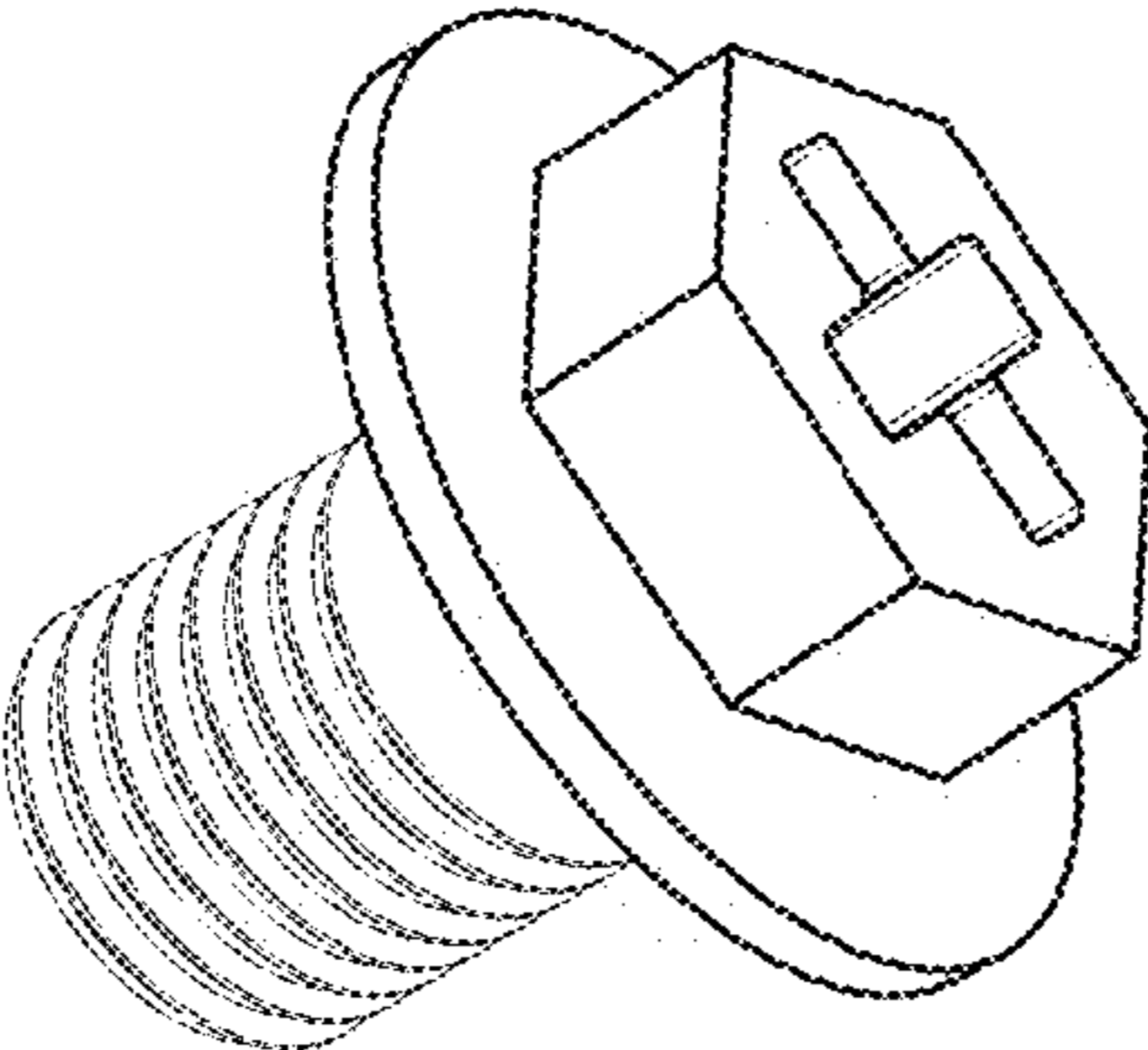


FIG. 27



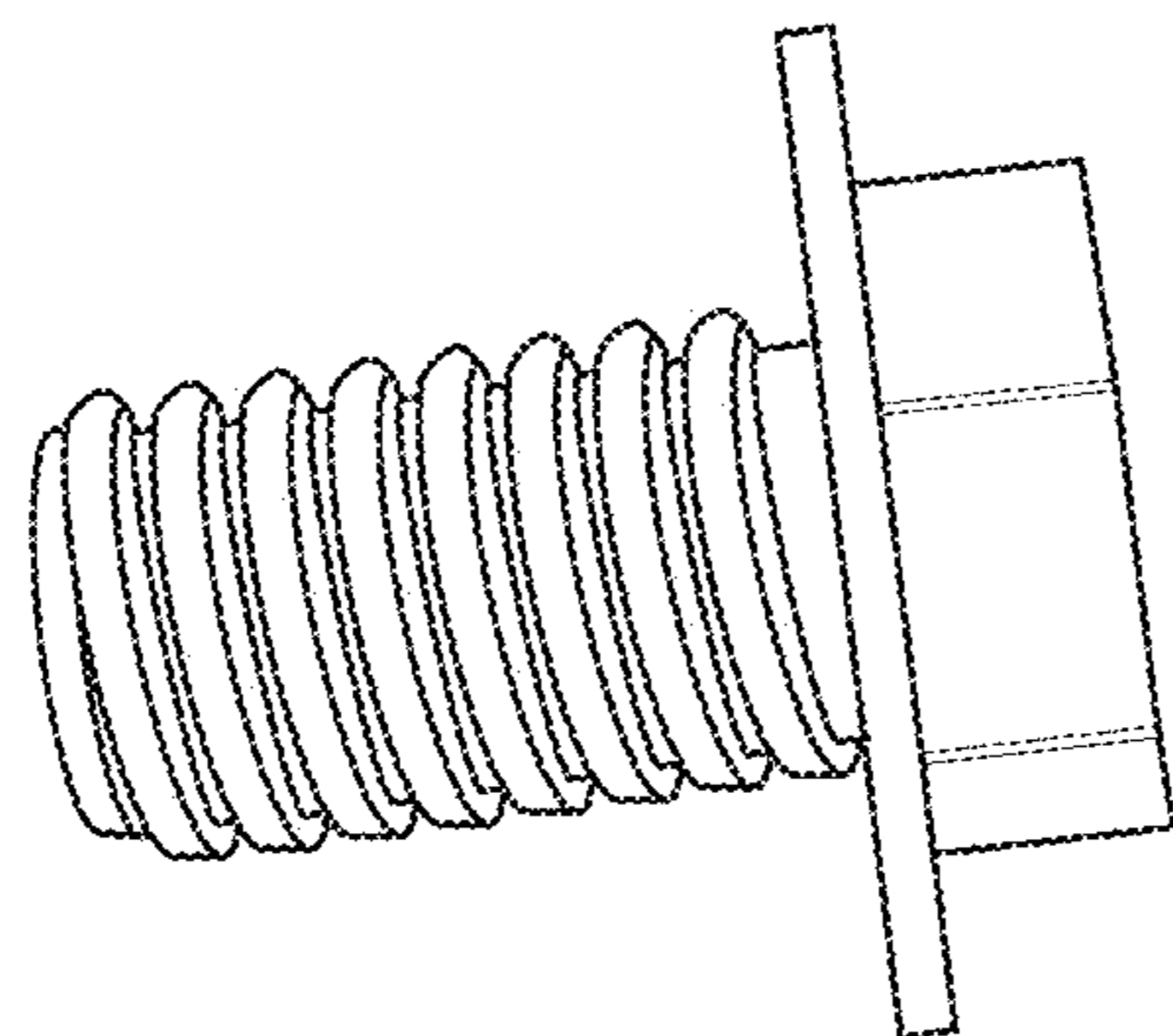


FIG. 28

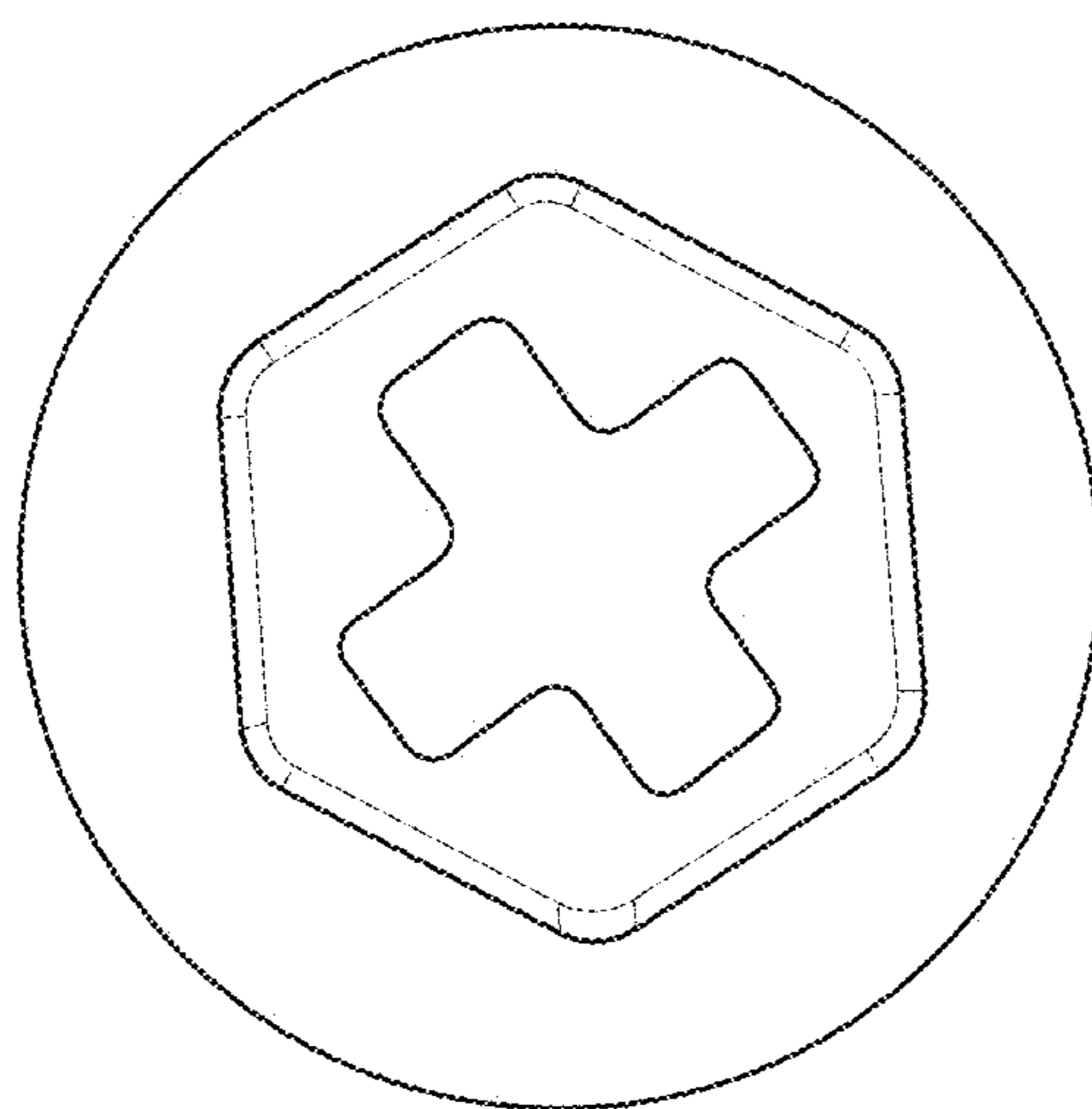


FIG. 29

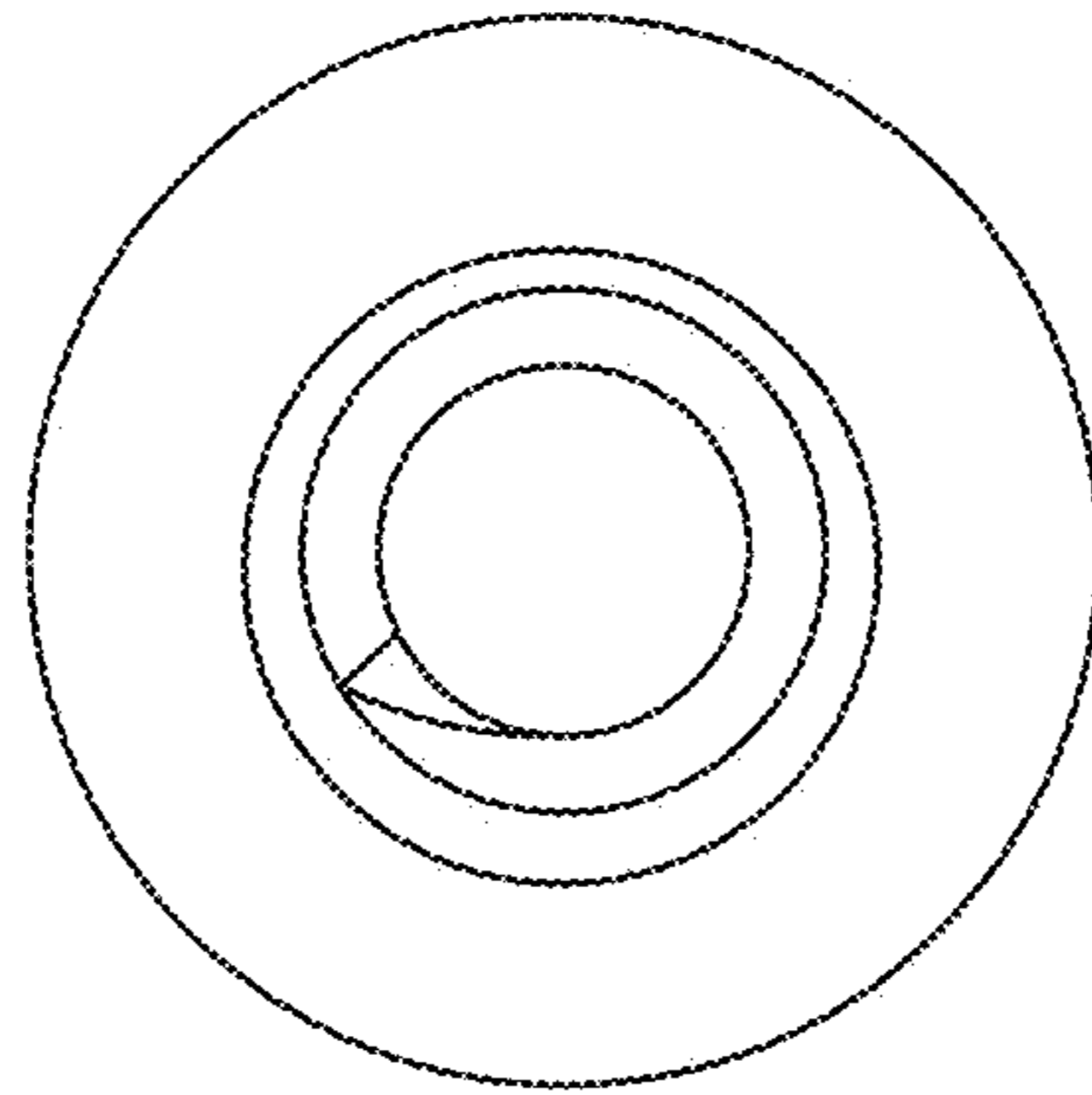


FIG. 30

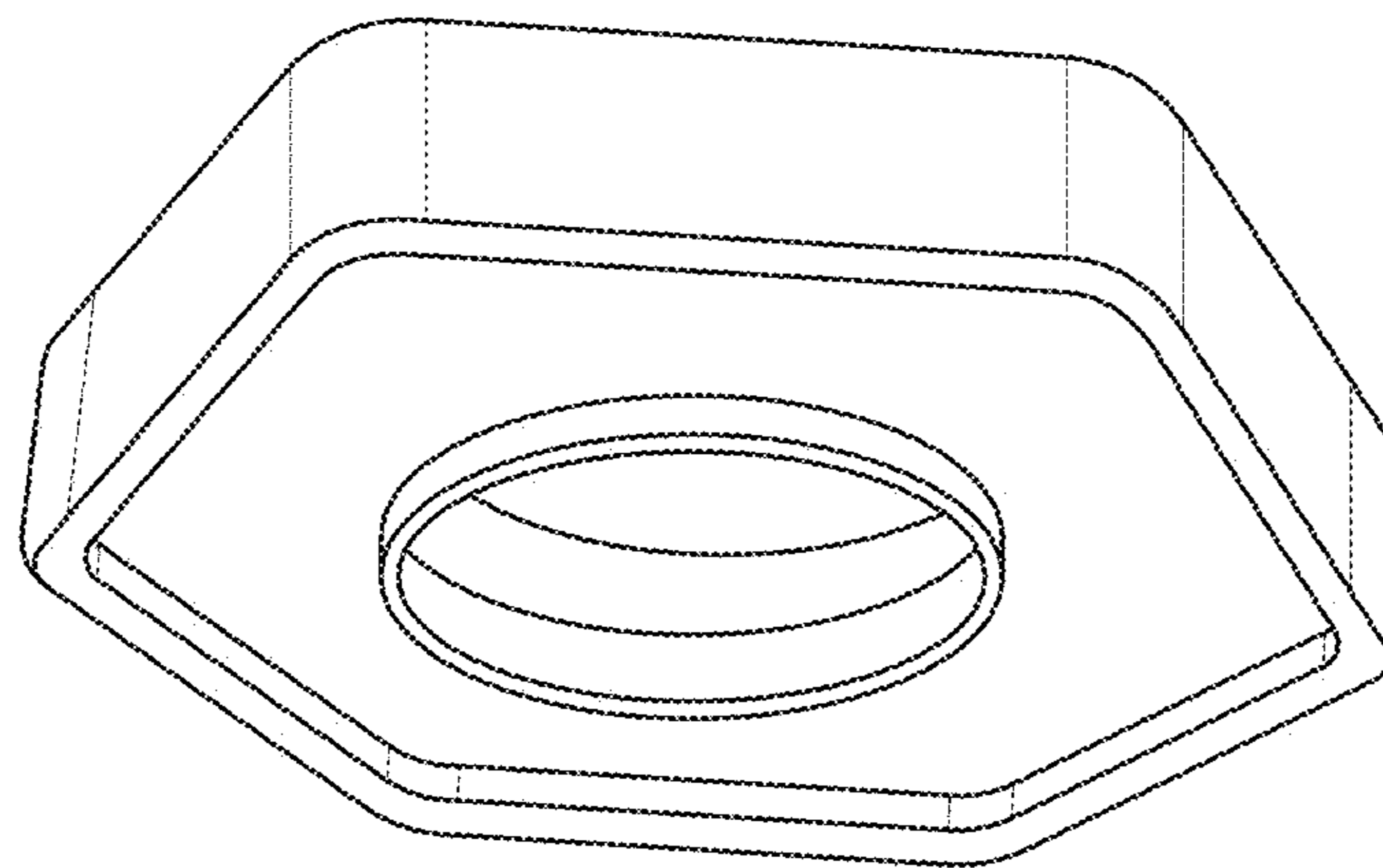


FIG. 31



FIG. 32

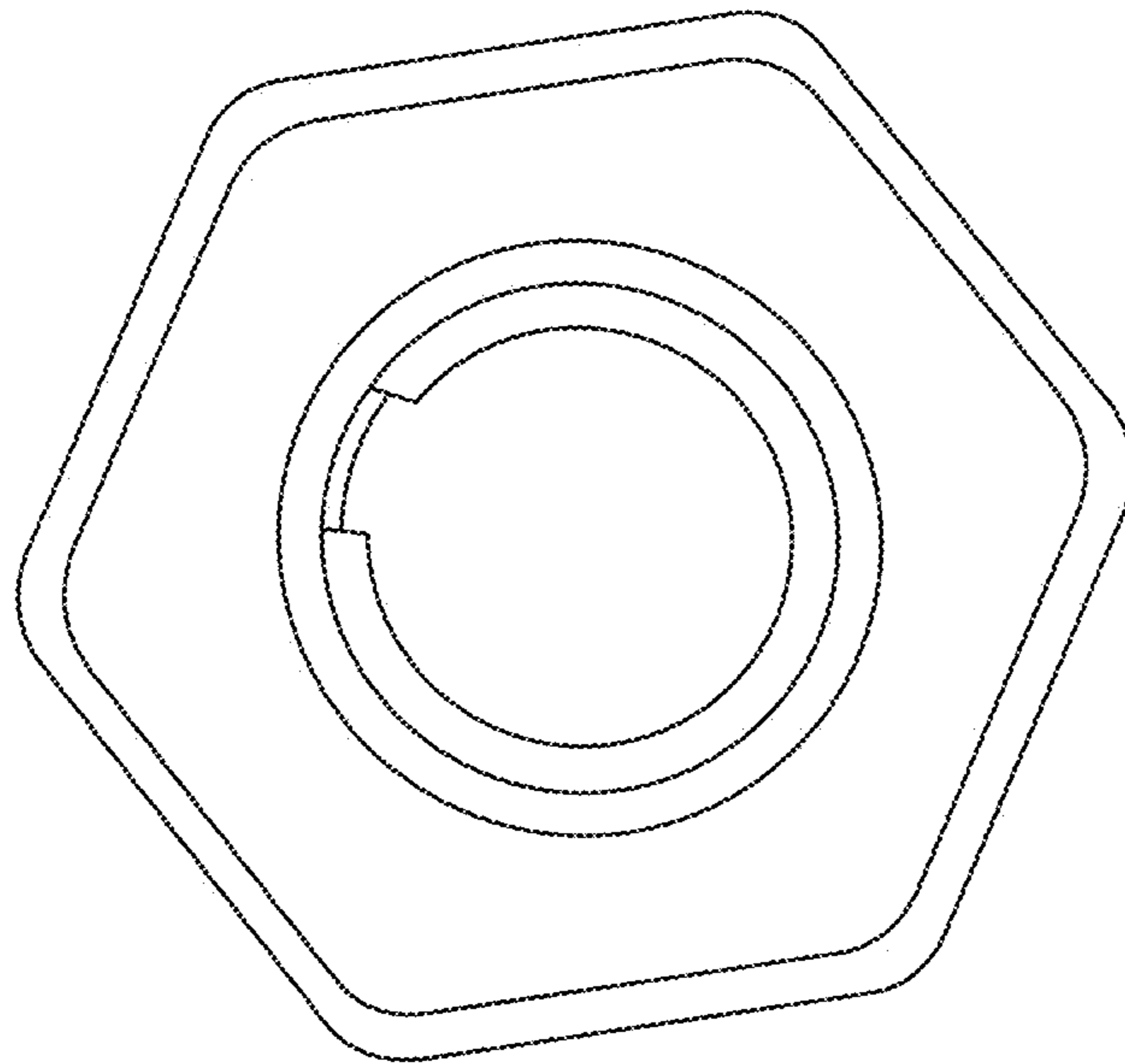


FIG. 33