



US00D877263S

(12) **United States Design Patent** (10) **Patent No.:** **US D877,263 S**
Cochella (45) **Date of Patent:** **** Mar. 3, 2020**

(54) **TOY COUPLER**

(56) **References Cited**

(71) Applicant: **Building Creative Kids, LLC**, Boulder, CO (US)

U.S. PATENT DOCUMENTS

(72) Inventor: **Christopher Cochella**, Salt Lake City, UT (US)

1,398,852 A	11/1921	Gilbert	
1,492,560 A	5/1924	Fisher	
2,278,327 A	3/1942	Magnus	
2,414,716 A	1/1947	Carson	
3,599,360 A *	8/1971	Lappo	A47F 7/143 40/124.4

(73) Assignee: **Building Creative Kids, LLC**, Boulder, CO (US)

3,747,262 A	7/1973	Endres	
D230,759 S	3/1974	Hummel	
3,827,177 A	8/1974	Wengel	
3,955,510 A	5/1976	Kinik	
3,998,002 A	12/1976	Nathanson	
4,253,267 A	3/1981	Kocolowski	
4,270,302 A	6/1981	Dandia	
4,334,868 A	6/1982	Levinrad	
4,444,321 A	4/1984	Carlstrom	
4,557,064 A *	12/1985	Thompson	G09F 3/204 40/361

(**) Term: **15 Years**

(21) Appl. No.: **29/566,185**

(22) Filed: **May 27, 2016**

Related U.S. Application Data

(63) Continuation-in-part of application No. 29/513,902, filed on Jan. 6, 2015, now Pat. No. Des. 757,860, which is a continuation-in-part of application No. 13/612,383, filed on Sep. 12, 2012, now Pat. No. 8,968,046.

4,616,571 A	10/1986	Lange	
5,121,526 A	6/1992	Burkard	
5,137,486 A	8/1992	Glickman	
5,172,534 A	12/1992	Milner	
5,175,913 A	1/1993	Mackie et al.	
5,350,331 A	9/1994	Glickman	
5,378,185 A	1/1995	Ban	
5,482,491 A	1/1996	Kichijyo	
5,487,690 A	1/1996	Stoffle et al.	
5,555,606 A *	9/1996	Chu	B42F 1/02 24/545

(60) Provisional application No. 61/594,850, filed on Feb. 3, 2012, provisional application No. 61/546,912, filed on Oct. 13, 2011.

5,605,486 A	2/1997	Zheng	
5,729,867 A *	3/1998	Carmichael	E04B 2/7429 16/225

(51) **LOC (12) Cl.** **21-01**

D393,417 S	4/1998	Glickman	
5,746,638 A	5/1998	Shiraishi	
5,827,104 A	10/1998	Zheng	
5,901,859 A *	5/1999	Carr	A47F 7/143 211/45

(52) **U.S. Cl.**

USPC **D21/484**

(58) **Field of Classification Search**

USPC D21/478, 479, 484, 485-505; 446/69, 446/85, 102-128; 434/208, 259, 403; 273/153, 156, 160; 428/174; D8/349, D8/382

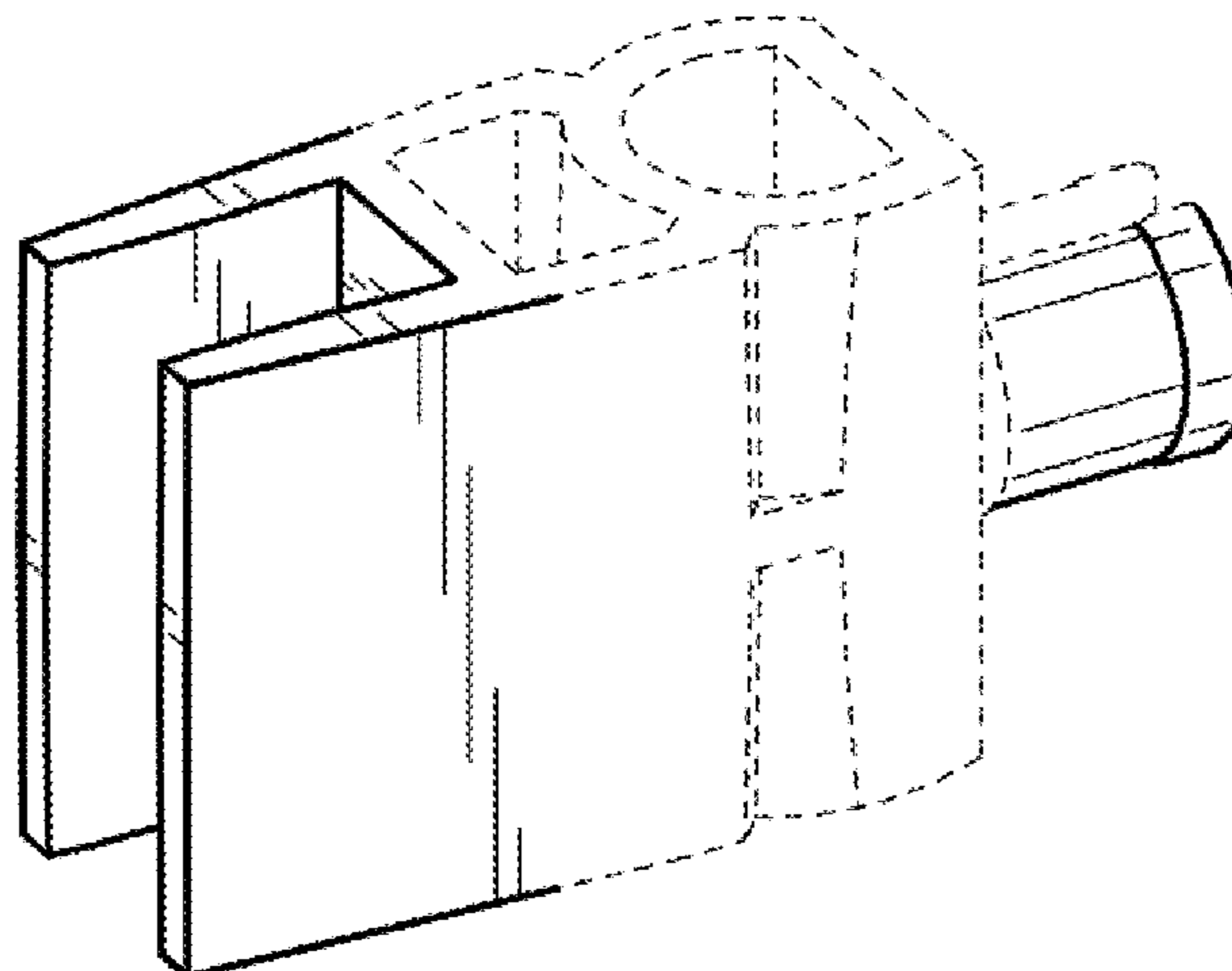
D410,704 S	6/1999	Krog	
5,984,756 A	11/1999	Krog	
6,015,149 A	1/2000	Burk	
6,059,631 A *	5/2000	Maddock	A63H 33/082 446/104

CPC A63H 33/00; A63H 33/04; A63H 33/06; A63H 33/08; A63H 33/10; A63H 33/12; A63H 33/14; A63F 9/0608; A63F 9/12; G09B 1/36

6,068,533 A	5/2000	Glickman et al.	
6,089,941 A	7/2000	Glickman et al.	
6,186,698 B1 *	2/2001	Knapp	F16B 5/002 403/326

See application file for complete search history.

6,231,416 B1	5/2001	Clever	
6,325,694 B1	12/2001	Clever	
6,422,909 B2	7/2002	Clever et al.	



US D877,263 S

6,500,007 B2	12/2002	Pupulin		D668,301 S	10/2012	Mimlitch, III et al.
D474,513 S	5/2003	Kichijo		D668,457 S	10/2012	Mimlitch, III et al.
6,592,421 B1	7/2003	Clever		D669,140 S	10/2012	Mimlitch, III et al.
6,645,032 B2	11/2003	Barringer et al.		D669,942 S	10/2012	Mimlitch, III et al.
6,648,715 B2 *	11/2003	Wiens	A63H 33/062	D669,943 S	10/2012	Mimlitch, III et al.
			446/121	D669,944 S	10/2012	Mimlitch, III et al.
6,672,931 B1	1/2004	Bagley		8,292,687 B2	10/2012	Tremblay et al.
6,674,259 B1	1/2004	Norman et al.		D670,769 S	11/2012	Mimlitch, III et al.
6,676,474 B2	1/2004	Glickman		D670,770 S	11/2012	Mimlitch, III et al.
6,682,255 B2 *	1/2004	Battaglia	A47F 5/14	8,303,366 B2	11/2012	Tremblay et al.
			403/381	D671,993 S	12/2012	Mimlitch, III et al.
6,749,480 B1	6/2004	Hunts		8,337,270 B2	12/2012	Mimlitch, III et al.
6,843,700 B2	1/2005	Glickman		D675,264 S	1/2013	Mimlitch, III et al.
D513,471 S	1/2006	Sato		D675,265 S	1/2013	Mimlitch, III et al.
7,044,825 B2	5/2006	Glickman		D676,496 S	2/2013	Mimlitch, III et al.
7,066,778 B2	6/2006	Kretzschmar		D676,497 S	2/2013	Mimlitch, III et al.
7,104,863 B2	9/2006	Mimlitch, III et al.		D676,505 S	2/2013	Mimlitch, III et al.
7,134,558 B1	11/2006	Mimlitch, III et al.		D676,506 S	2/2013	Mimlitch, III et al.
7,193,384 B1	3/2007	Norman et al.		D676,507 S	2/2013	Mimlitch, III et al.
7,201,279 B1	4/2007	Mimlitch, III et al.		D677,347 S	3/2013	Mimlitch, III et al.
7,222,684 B2	5/2007	Norman et al.		D677,740 S	3/2013	Mimlitch, III et al.
7,234,986 B2	6/2007	Kowalski et al.		D677,742 S	3/2013	Mimlitch, III et al.
7,237,404 B2	7/2007	Morano et al.		D678,428 S	3/2013	Mimlitch, III et al.
D547,977 S *	8/2007	Torrente Bonatti	D8/349	D679,763 S	4/2013	Mimlitch, III et al.
D550,484 S *	9/2007	Bonatti	D8/349	D682,368 S	5/2013	Mimlitch, III et al.
D550,549 S	9/2007	Mounce		D682,953 S	5/2013	Mimlitch, III et al.
7,267,598 B2	9/2007	Glickman		D683,411 S	5/2013	Mimlitch, III et al.
7,273,404 B2	9/2007	Kowalski et al.		D684,218 S	6/2013	Mimlitch, III et al.
7,275,646 B2	10/2007	Mimlitch, III et al.		D684,221 S	6/2013	Mimlitch, III et al.
7,330,776 B1	2/2008	Norman et al.		8,475,225 B2	7/2013	Kretzschmar
D563,213 S	3/2008	Sato		D687,903 S	8/2013	Mimlitch, III et al.
7,364,487 B2	4/2008	Evans et al.		8,504,200 B2	8/2013	Norman et al.
7,371,146 B2	5/2008	Scarborough		8,505,086 B2	8/2013	Norman et al.
7,413,493 B2	8/2008	Toht et al.		D689,141 S	9/2013	Mimlitch, III et al.
7,444,792 B2	11/2008	Matson		D689,142 S	9/2013	Mimlitch, III et al.
D588,651 S	3/2009	Sinisi		D689,143 S	9/2013	Mimlitch, III et al.
7,510,457 B2 *	3/2009	Hussa-Lietz	A63H 33/04	D689,144 S	9/2013	Mimlitch, III et al.
			434/79	D689,145 S	9/2013	Mimlitch, III et al.
7,588,476 B2 *	9/2009	Hammond	A63H 33/086	D689,146 S	9/2013	Mimlitch, III et al.
			446/104	D689,147 S	9/2013	Mimlitch, III et al.
7,591,056 B2	9/2009	Mimlitch, III et al.		D689,148 S	9/2013	Mimlitch, III et al.
7,666,054 B2	2/2010	Glickman		D689,149 S	9/2013	Mimlitch, III et al.
7,721,396 B2	5/2010	Fleischman		D689,150 S	9/2013	Mimlitch, III et al.
7,762,386 B2	7/2010	Allore		D689,151 S	9/2013	Mimlitch, III et al.
7,806,277 B2	10/2010	Mimlitch, III et al.		D689,152 S	9/2013	Mimlitch, III et al.
7,833,078 B2	11/2010	Kretzschmar		D689,561 S	9/2013	Mimlitch, III et al.
7,866,488 B2	1/2011	Mimlitch, III et al.		D689,562 S	9/2013	Mimlitch, III et al.
7,904,706 B2	3/2011	Lambert et al.		D689,563 S	9/2013	Mimlitch, III et al.
7,934,971 B2	5/2011	Mimlitch, III et al.		D689,564 S	9/2013	Mimlitch, III et al.
7,950,978 B2	5/2011	Norman et al.		D689,565 S	9/2013	Mimlitch, III et al.
7,955,155 B2	6/2011	Tremblay et al.		D689,959 S	9/2013	Mimlitch, III et al.
D641,805 S	7/2011	Kichijo		D689,960 S	9/2013	Mimlitch, III et al.
D644,696 S	9/2011	Mimlitch, III et al.		D689,961 S	9/2013	Mimlitch, III et al.
D644,697 S	9/2011	Mimlitch, III et al.		D689,962 S	9/2013	Mimlitch, III et al.
D644,698 S	9/2011	Mimlitch, III et al.		D689,964 S	9/2013	Mimlitch, III et al.
D644,699 S	9/2011	Mimlitch, III et al.		8,529,311 B2	9/2013	Tremblay et al.
D645,525 S	9/2011	Norman et al.		D692,070 S	10/2013	Mimlitch, III et al.
D645,526 S	9/2011	Norman et al.		8,550,235 B2	10/2013	Suderman
D645,527 S	9/2011	Norman et al.		D692,965 S	11/2013	Mimlitch, III et al.
D645,914 S	9/2011	Norman et al.		D693,889 S	11/2013	Mimlitch, III et al.
D645,915 S	9/2011	Norman et al.		D694,344 S	11/2013	Mimlitch, III et al.
D645,916 S	9/2011	Norman et al.		D694,345 S	11/2013	Mimlitch, III et al.
D645,917 S	9/2011	Norman et al.		8,591,281 B2	11/2013	Mimlitch, III et al.
D645,918 S	9/2011	Norman et al.		D694,840 S	12/2013	Mimlitch, III et al.
8,014,897 B2	9/2011	Norman et al.		D695,362 S	12/2013	Mimlitch, III et al.
8,099,837 B2	1/2012	Santin		D696,732 S	12/2013	Mimlitch, III et al.
D654,121 S	2/2012	Mimlitch, III et al.		D696,733 S	12/2013	Mimlitch, III et al.
D657,826 S	4/2012	Mimlitch, III et al.		8,612,051 B2	12/2013	Norman et al.
D657,827 S	4/2012	Mimlitch, III et al.		8,616,463 B2	12/2013	Mimlitch, III et al.
D663,787 S	7/2012	Mimlitch, III et al.		D697,147 S	1/2014	Mimlitch, III et al.
D663,788 S	7/2012	Mimlitch, III et al.		D698,395 S	1/2014	Norman et al.
D664,216 S	7/2012	Mimlitch, III et al.		D699,302 S	2/2014	Mimlitch, III et al.
D664,218 S	7/2012	Mimlitch, III et al.		D700,251 S	2/2014	Mimlitch, III et al.
D667,509 S	9/2012	Mimlitch, III et al.		8,651,914 B2	2/2014	Sisamos
D667,511 S	9/2012	Norman et al.		D700,661 S	3/2014	Mimlitch, III et al.
D667,512 S	9/2012	Mimlitch, III et al.		D702,776 S	4/2014	Norman et al.
D667,896 S	9/2012	Mimlitch, III et al.		D703,767 S	4/2014	Mimlitch, III et al.
D667,897 S	9/2012	Mimlitch, III et al.		8,696,399 B2	4/2014	Mimlitch, III et al.
D668,300 S	10/2012	Mimlitch, III et al.		D705,874 S	5/2014	Norman et al.

8,721,384 B2 5/2014 Norman et al.
D706,362 S 6/2014 Norman et al.
D706,363 S 6/2014 Norman et al.
D706,877 S 6/2014 Norman et al.
D707,276 S 6/2014 Norman et al.
D707,304 S 6/2014 Norman et al.
D707,305 S 6/2014 Norman et al.
D707,306 S 6/2014 Norman et al.
D707,757 S 6/2014 Mimlitch, III et al.
D707,758 S 6/2014 Norman et al.
D708,680 S 7/2014 Norman et al.
D711,972 S 8/2014 Norman et al.
D711,973 S 8/2014 Norman et al.
D711,974 S 8/2014 Norman et al.
D711,975 S 8/2014 Norman et al.
D711,976 S 8/2014 Norman et al.
D711,977 S 8/2014 Norman et al.
D711,978 S 8/2014 Norman et al.
D711,979 S 8/2014 Norman et al.
D711,980 S 8/2014 Norman et al.
D711,981 S 8/2014 Norman et al.
8,810,387 B2 8/2014 Norman et al.
D712,489 S 9/2014 Norman et al.
8,834,226 B2 9/2014 Norman et al.
8,834,227 B2 9/2014 Norman et al.
D715,871 S 10/2014 Norman et al.
D715,873 S 10/2014 Norman et al.
D715,874 S 10/2014 Norman et al.
D716,384 S 10/2014 Norman et al.
8,858,294 B2 10/2014 Mimlitch, III et al.
D716,879 S 11/2014 Norman et al.
D717,380 S 11/2014 Mimlitch, III et al.
D717,886 S 11/2014 Mimlitch, III et al.
8,882,558 B2 11/2014 Norman et al.
D720,419 S 12/2014 Norman et al.
8,905,813 B2 12/2014 Norman et al.
8,913,398 B2 12/2014 Mimlitch, III et al.
D720,823 S 1/2015 Norman et al.
D720,824 S 1/2015 Norman et al.
D720,825 S 1/2015 Norman et al.
D740,368 S 1/2015 Norman et al.
D722,665 S 2/2015 Norman et al.
D723,123 S 2/2015 Norman et al.
D724,028 S 3/2015 Norman et al.
D725,037 S 3/2015 Norman et al.
D725,733 S 3/2015 Norman et al.
8,968,046 B2 3/2015 Cochella
9,004,974 B2 4/2015 Brooks
9,017,136 B2 4/2015 Norman et al.
D731,449 S 6/2015 Norman et al.
9,050,540 B1 6/2015 Norman et al.
9,050,541 B2 6/2015 Mimlitch, III et al.
D733,530 S 7/2015 Tonthat et al.
D733,531 S 7/2015 Tonthat et al.
9,149,731 B2 10/2015 Mimlitch, III et al.
9,162,153 B1 10/2015 Mimlitch, III et al.
9,162,154 B2 10/2015 Mimlitch, III et al.
D747,688 S 1/2016 Norman et al.
D747,776 S 1/2016 Norman et al.
9,233,313 B2 1/2016 Olivera et al.
9,238,178 B2 1/2016 Mimlitch, III et al.
D750,177 S 2/2016 Norman et al.
D752,518 S 3/2016 Norman et al.
9,289,694 B2 3/2016 Norman et al.
D757,860 S 5/2016 Cochella
D758,225 S 6/2016 Norman et al.
D759,466 S 6/2016 Tonthat et al.
9,360,052 B2 6/2016 Culver et al.
9,370,119 B2 6/2016 Tonthat et al.
9,370,724 B2 6/2016 Norman et al.
D760,579 S 7/2016 Tonthat et al.
9,399,177 B2 7/2016 Cochella
2002/0104942 A1 8/2002 Mimlitch, III et al.
2002/0121395 A1 9/2002 Norman et al.
2003/0175669 A1 9/2003 Mimlitch, III et al.
2003/0176142 A1 9/2003 Mimlitch, III et al.
2004/0077257 A1 4/2004 Mimlitch, III et al.
2006/0129846 A1 6/2006 Lambert et al.
2007/0131628 A1 6/2007 Mimlitch, III et al.

2007/0135017 A1 6/2007 Norman et al.
2007/0227992 A1 10/2007 Mimlitch, III et al.
2008/0100250 A1 5/2008 Norman et al.
2008/0175659 A1 7/2008 Mimlitch, III et al.
2008/0220689 A1 9/2008 Mimlitch, III et al.
2008/0263628 A1 10/2008 Norman et al.
2008/0269949 A1 10/2008 Norman et al.
2009/0218301 A1 9/2009 Mimlitch, III et al.
2010/0242250 A1 9/2010 Haughey et al.
2011/0028069 A1 2/2011 Norman et al.
2011/0076914 A1 3/2011 Norman et al.
2011/0076916 A1 3/2011 Norman et al.
2011/0076917 A1 3/2011 Norman et al.
2011/0076918 A1 3/2011 Norman et al.
2011/0111671 A1 5/2011 Norman et al.
2011/0117814 A1 5/2011 Norman et al.
2011/0151742 A1 6/2011 Norman et al.
2012/0015585 A1 1/2012 Norman et al.
2012/0029695 A1 2/2012 Norman et al.
2012/0034839 A1 2/2012 Murphy
2012/0080533 A1 4/2012 Mimlitch, III et al.
2012/0178339 A1 7/2012 Mimlitch, III et al.
2012/0178340 A1 7/2012 Mimlitch, III et al.
2012/0264341 A1 10/2012 Mimlitch, III et al.
2012/0302127 A1 11/2012 Doskas
2013/0084771 A1 4/2013 Mimlitch, III et al.
2013/0084773 A1 4/2013 Mimlitch, III et al.
2013/0084774 A1 4/2013 Mimlitch, III et al.
2013/0084775 A1 4/2013 Mimlitch, III et al.
2013/0090037 A1 4/2013 Mimlitch, III et al.
2013/0091689 A1 4/2013 Mimlitch, III et al.
2013/0095722 A1 4/2013 Cochella
2013/0149935 A1 6/2013 Mimlitch, III et al.
2013/0171910 A1 7/2013 Mimlitch, III et al.
2013/0267145 A1 10/2013 Rosen et al.
2014/0045403 A1 2/2014 Murphy
2014/0057525 A1 2/2014 Olivera et al.
2014/0094088 A1 4/2014 Olivera et al.
2015/0084494 A1 3/2015 Tonthat et al.
2015/0165331 A1 6/2015 Norman et al.
2015/0219164 A1 8/2015 Culver et al.
2015/0224413 A1 8/2015 Mimlitch, III et al.
2015/0224415 A1 8/2015 Brooks
2015/0306510 A1 10/2015 Mimlitch, III et al.
2015/0306511 A1 10/2015 Norman et al.
2015/0306514 A1 10/2015 Mimlitch, III et al.
2016/0009348 A1 1/2016 Mimlitch, III et al.
2017/0007938 A1 1/2017 Brooks
2017/0113158 A1 4/2017 Cochella
2017/0120158 A1 5/2017 Cochella
2017/0120159 A1 5/2017 Cochella

FOREIGN PATENT DOCUMENTS

WO WO2016/111721 7/2016
WO WO 2016/131039 8/2016

OTHER PUBLICATIONS

US 2014/0023288 A1, 01/2014, Mimlitch, III et al. (withdrawn)
U.S. Appl. No. 15/216,887, filed Jul. 22, 2016, Cochella.
U.S. Appl. No. 15/539,549, filed Jun. 23, 2017, Cochella.
Photographs of prototype product seen at MindWare booth at Toy Fair 2015 (in New York City), based on information and belief, photographed Feb. 17, 2015 (2 photographs).
Product Brochure for Keva Maker Bot Maze, based on information and belief, provided to applicant on or about Jul. 20, 2015.
Wikipedia "Lego" Available at least as early as May 13, 2016, 10 pages "https://en.wikipedia.org/w/index.php?title=Lego&oldid=720051184".
Wikipedia "Mortise and Tenon" Available at least as early as Apr. 4, 2016, 5 pages "https://en.wikipedia.org/w/index.php?title=Mortise_and_tenon&oldid=713513834".
"Tinkertoy" Wikipedia, the free encyclopedia, accessed Aug. 15, 2016 at https://en.wikipedia.org/wiki/Tinkertoy 3 pages.
International Search Report and Written Opinion for PCT/US2015/039226 dated Sep. 29, 2015 12 pages.

“Locktagons” in Patch Products 2010 Catalog, 2 pages.
“Dollhouse Designer” by Lakeshore, Accessed Nov. 1, 2016, 4 pages, Available at www.lakeshorelearning.com/product/productDet.jsp?productItemID=1%2C689%2C949%2C371%2C931%2C428&ASSORTMENT%3C%3East_id=1408474395181113&bmUID=1495141244451.
Photos of “Locktagons” product packaging and Product Insert, by Patch Products, LLC, Purchased and photographed in spring 2017, Copyright date of 2015, 5 pages.
U.S. Appl. No. 13/612,383, May 5, 2014, Restriction Requirement.
U.S. Appl. No. 13/612,383, Aug. 7, 2014, Office Action.
U.S. Appl. No. 13/612,383, Dec. 31, 2014, Notice of Allowance.
U.S. Appl. No. 29/513,902, Jan. 22, 2016, Notice of Allowance.
U.S. Appl. No. 14/962,937, Mar. 15, 2016, Office Action.
U.S. Appl. No. 14/962,937, May 23, 2016, Notice of Allowance.
U.S. Appl. No. 15/216,887, Sep. 5, 2017, Office Action.
U.S. Appl. No. 15/539,549, Mar. 5, 2019, Office Action.
U.S. Appl. No. 15/402,619, Oct. 29, 2018, Office Action.
U.S. Appl. No. 15/402,604, Oct. 30, 2018, Office Action.
U.S. Appl. No. 15/402,636, Oct. 31, 2018, Office Action.

* cited by examiner

Primary Examiner — Cynthia M. Chin

(74) *Attorney, Agent, or Firm* — Workman Nydegger

(57) **CLAIM**

The ornamental design for a toy coupler, as shown and described.

DESCRIPTION

FIG. 1 shows a perspective view of a coupler;
FIG. 2 shows a top view of the coupler of FIG. 1;
FIG. 3 shows a bottom view of the coupler of FIG. 1;
FIG. 4 shows a side view of the coupler of FIG. 1;
FIG. 5 shows an opposing side view of the coupler of FIG. 1;
FIG. 6 shows a front view of the coupler of FIG. 1; and,
FIG. 7 shows a back view of the coupler of FIG. 1.
The broken lines are for the purpose of illustrating portions of the article that form no part of the claim. As such, any broken lines form no part of the claimed design.

1 Claim, 1 Drawing Sheet

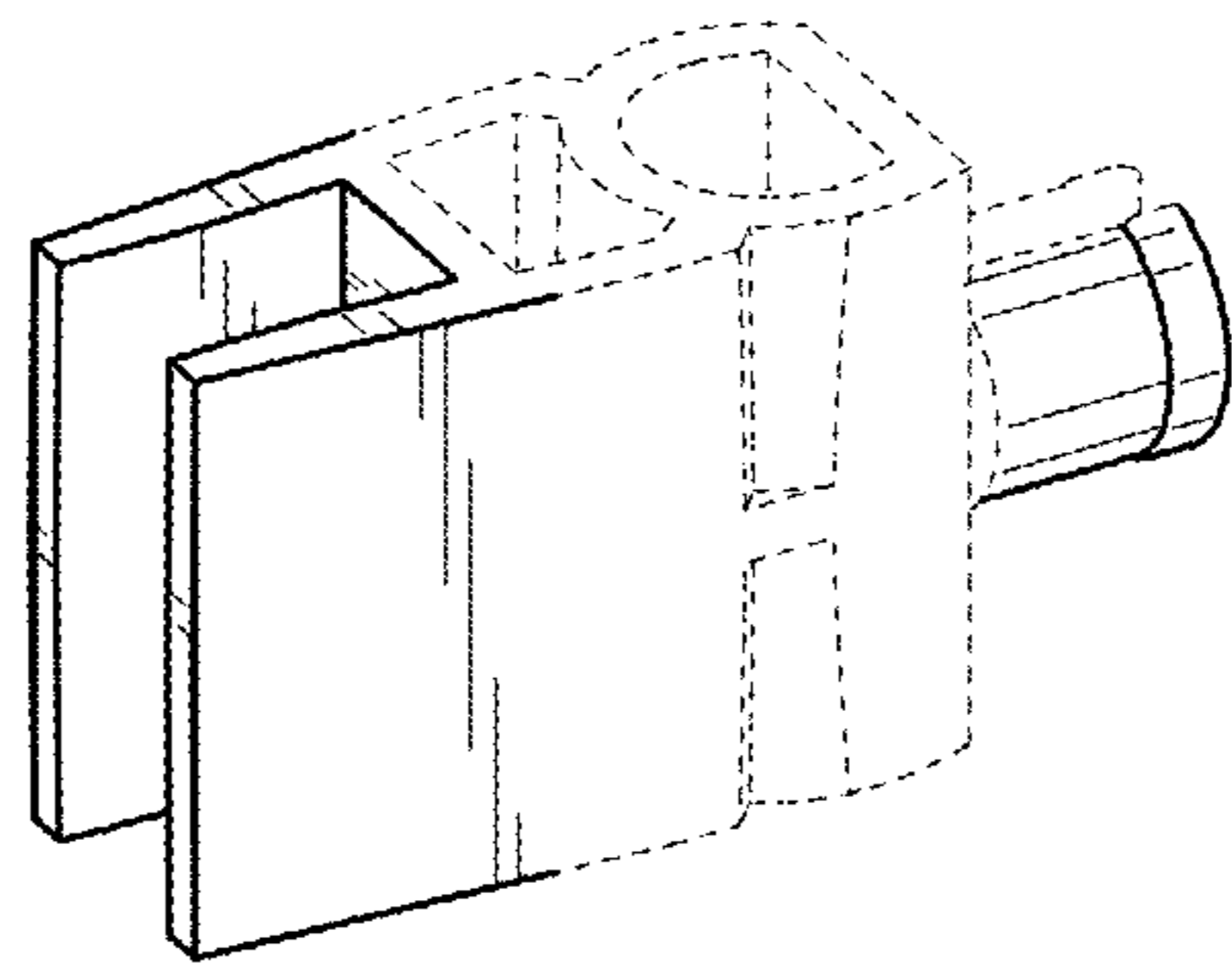


FIG. 1

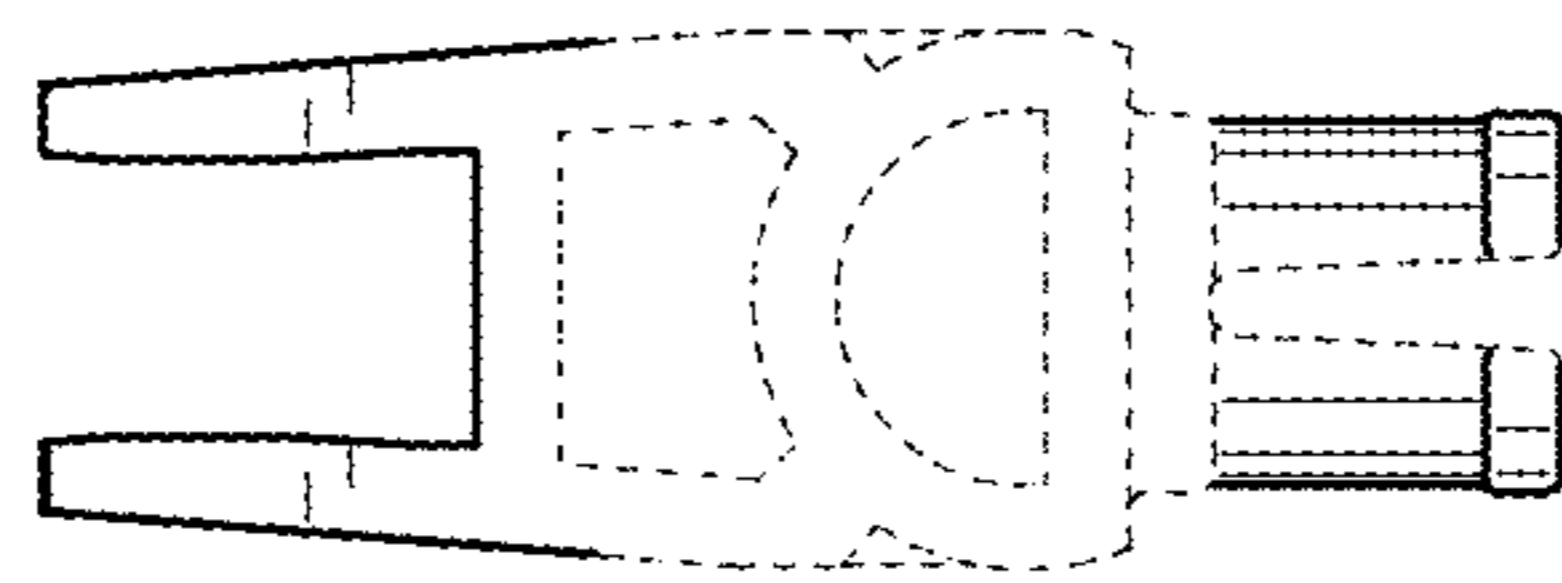


FIG. 2

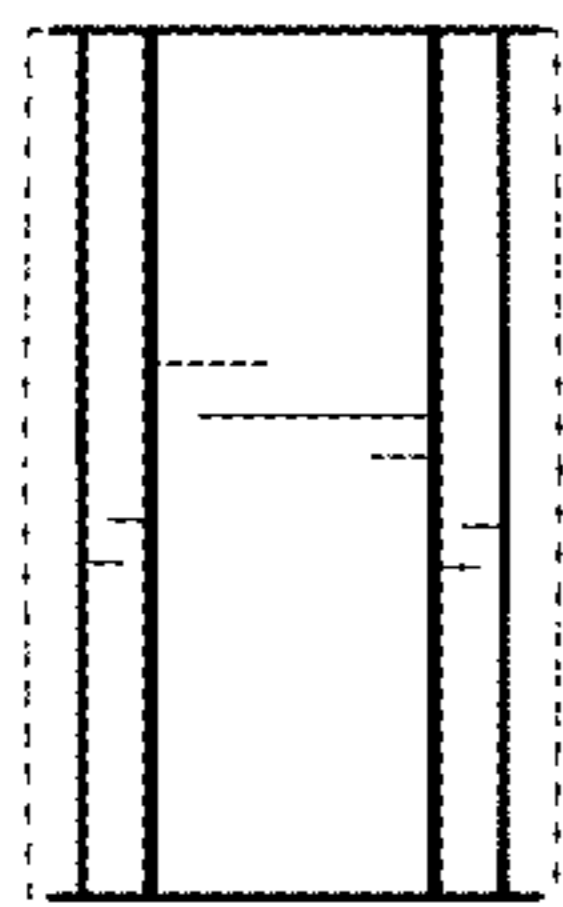


FIG. 4

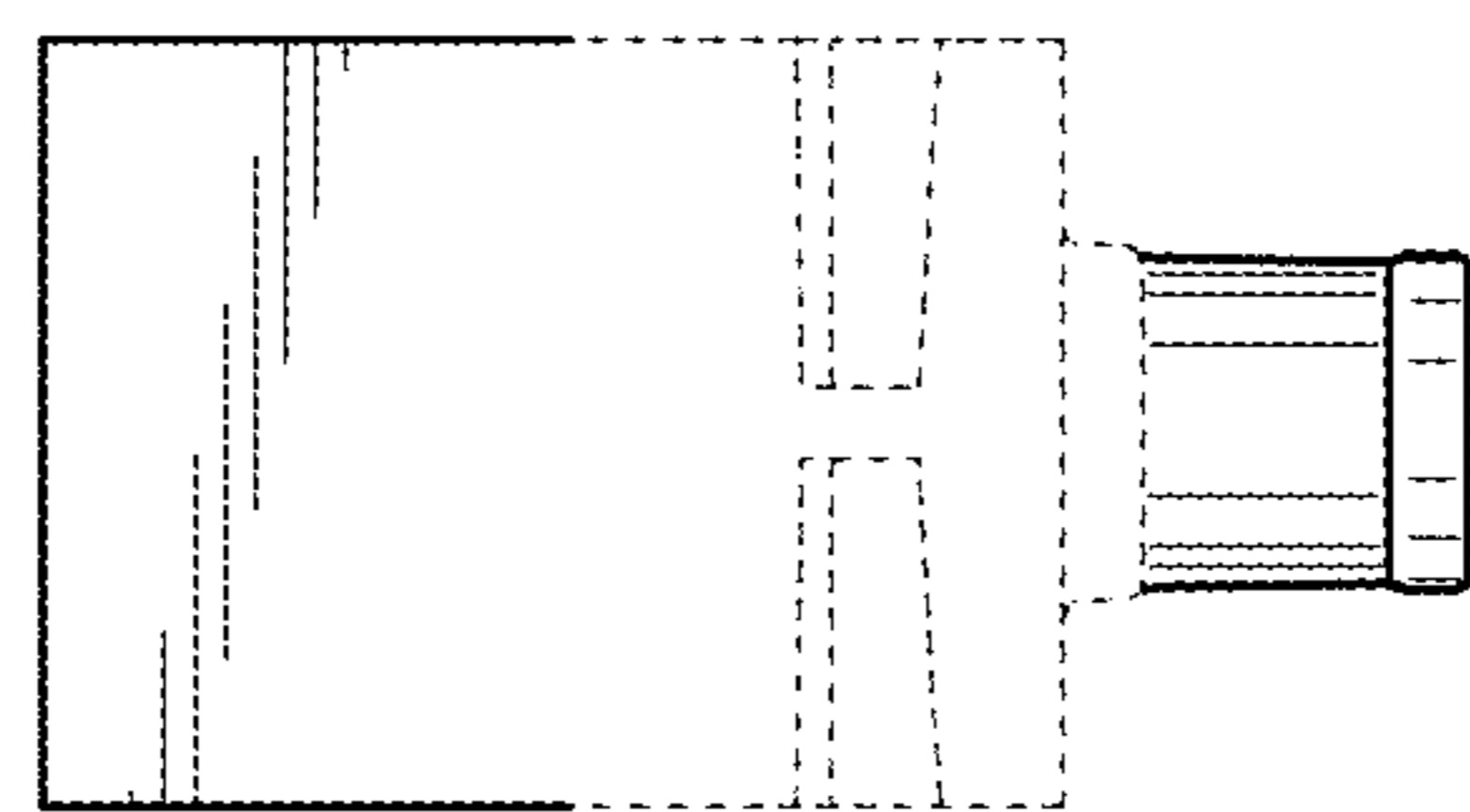


FIG. 6

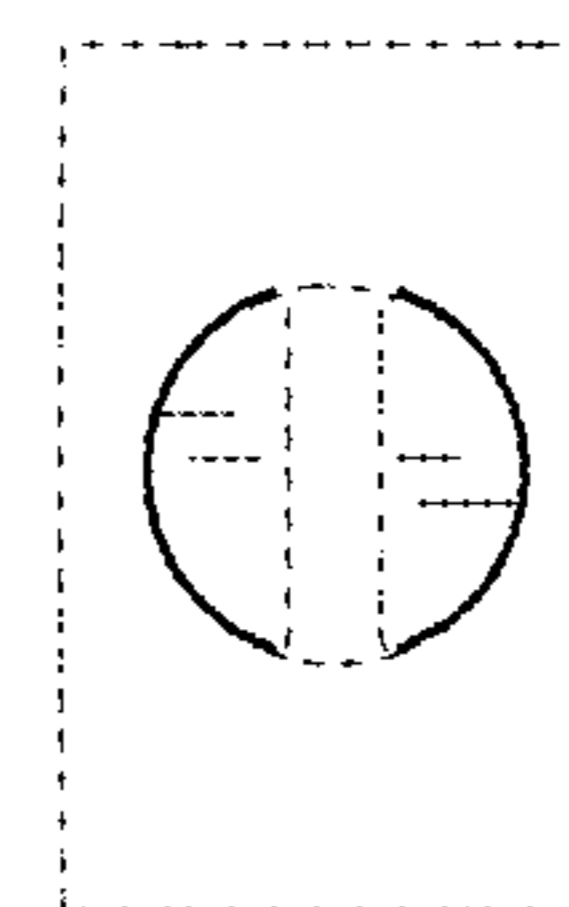


FIG. 5

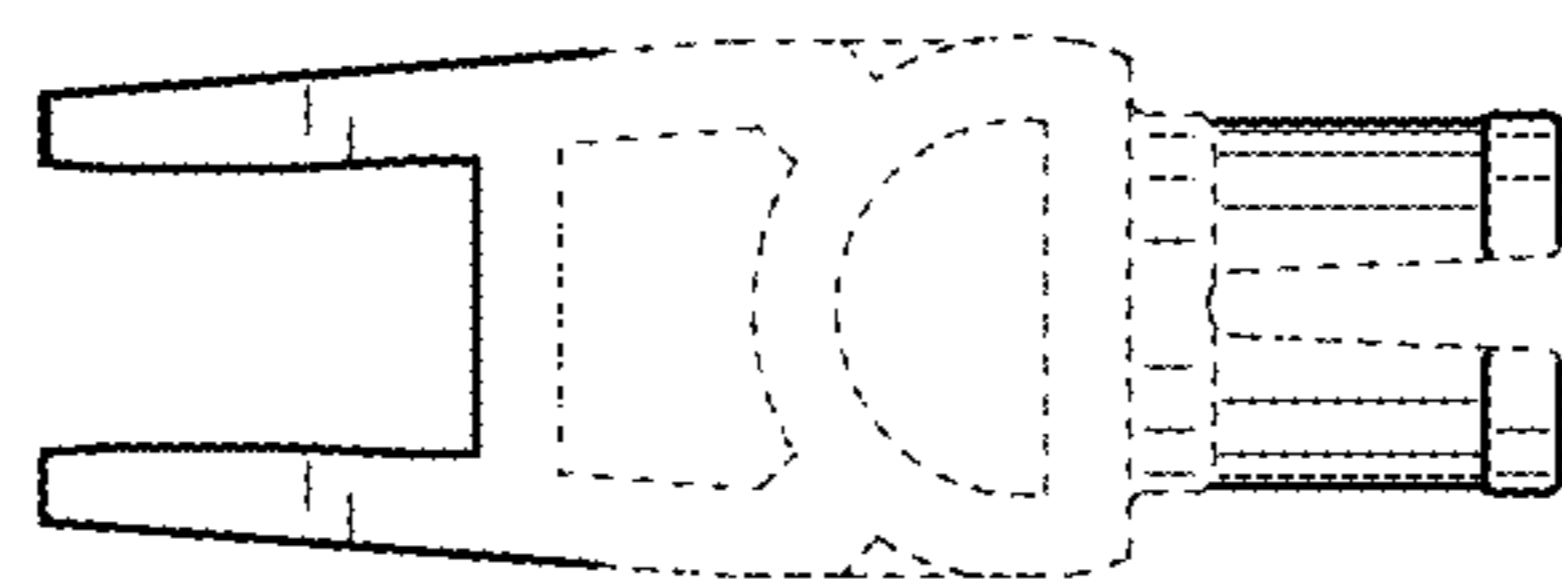


FIG. 3

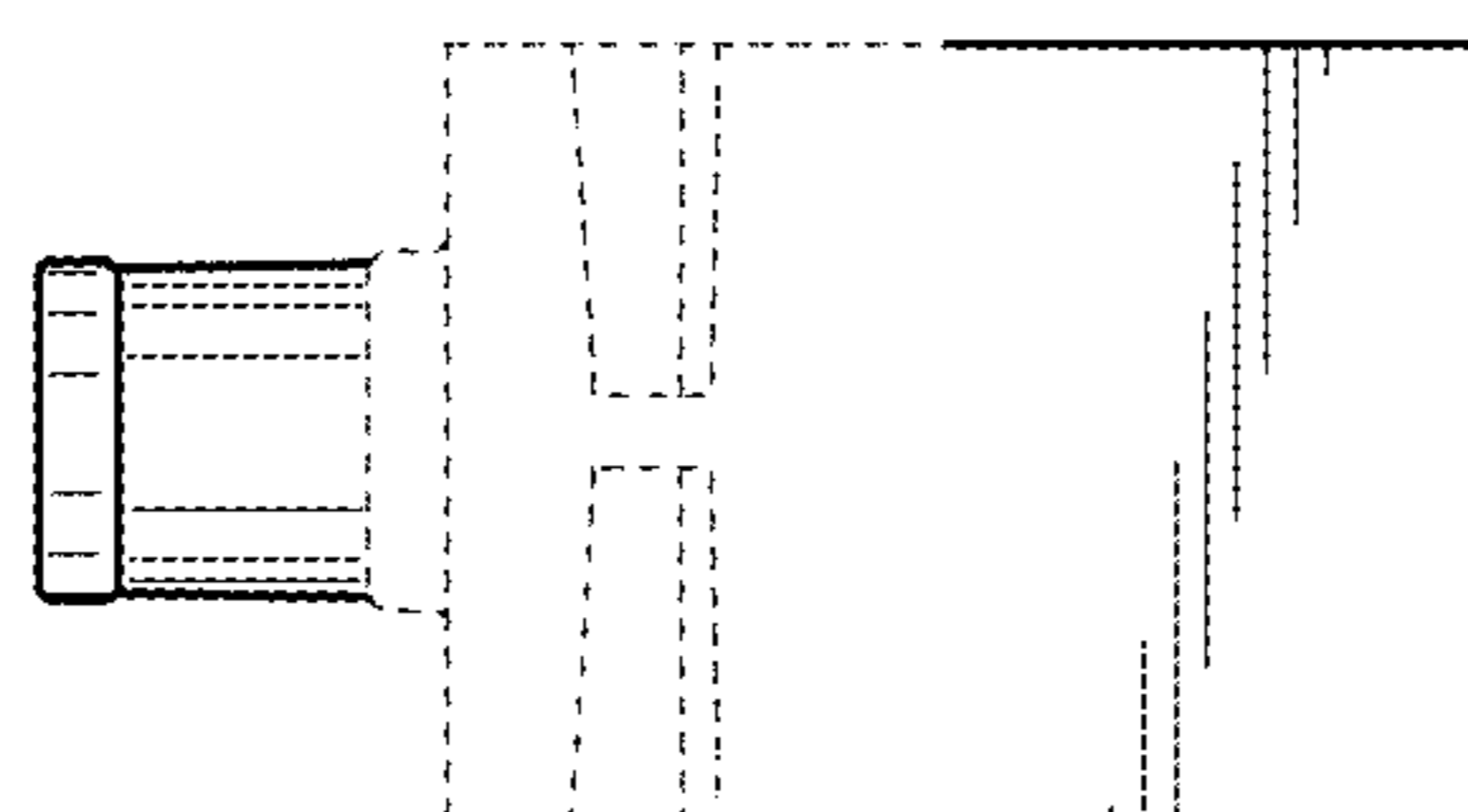


FIG. 7