



US00D877262S

(12) **United States Design Patent**
Sommer

(10) **Patent No.:** **US D877,262 S**
(45) **Date of Patent:** **** Mar. 3, 2020**

- (54) **CHILD TOY**
- (71) Applicant: **CORDY ApS**, Greve (DK)
- (72) Inventor: **Christina Diaz Sommer**, Miami, FL (US)
- (73) Assignee: **CORDY ApS**, Greve (DK)
- (**) Term: **15 Years**
- (21) Appl. No.: **29/616,434**
- (22) Filed: **Sep. 6, 2017**
- (51) **LOC (12) Cl.** **21-01**
- (52) **U.S. Cl.**
USPC **D21/468**; D21/398; D21/483; D21/493
- (58) **Field of Classification Search**
USPC D21/333, 398, 405, 406, 468, 475, 476, D21/483, 484, 490, 493, 494, 495, 499, D21/500, 513, 523, 532, 561, 566, 811; D13/133, 137.1–138.2, 139.6, 139.7, D13/139.8, 158, 169; 446/91, 144, 227, 446/397, 484, 487, 490, 491
CPC A63H 33/00; A63H 33/006; A63H 33/042; A63H 33/26; A63H 33/30; A63H 33/42; A63H 30/00; A63H 30/02
See application file for complete search history.

- D284,852 S * 7/1986 Maloney D13/139.8
- D285,552 S * 9/1986 Schwartz D13/139.8
- 4,675,537 A * 6/1987 Mione H01H 47/001
307/38
- 4,731,024 A * 3/1988 Kavanagh G09B 19/24
434/260
- 5,256,076 A * 10/1993 Hamlin H01R 13/44
200/51.09
- 5,292,276 A * 3/1994 Manalo G09B 19/00
434/258
- 5,299,527 A * 4/1994 Grossman A63H 33/30
116/323
- 5,359,540 A * 10/1994 Ortiz G06F 1/266
700/295
- D382,855 S * 8/1997 Salmond D13/139.8
(Continued)

FOREIGN PATENT DOCUMENTS

- CA 2431088 A1 * 11/2004 A63H 33/042
- CA 2766771 A1 * 1/2011 A63F 9/24
(Continued)

Primary Examiner — Catherine A Tuttle
(74) *Attorney, Agent, or Firm* — Huag Partners LLP

(57) **CLAIM**

The ornamental design for a child toy, as shown and described.

DESCRIPTION

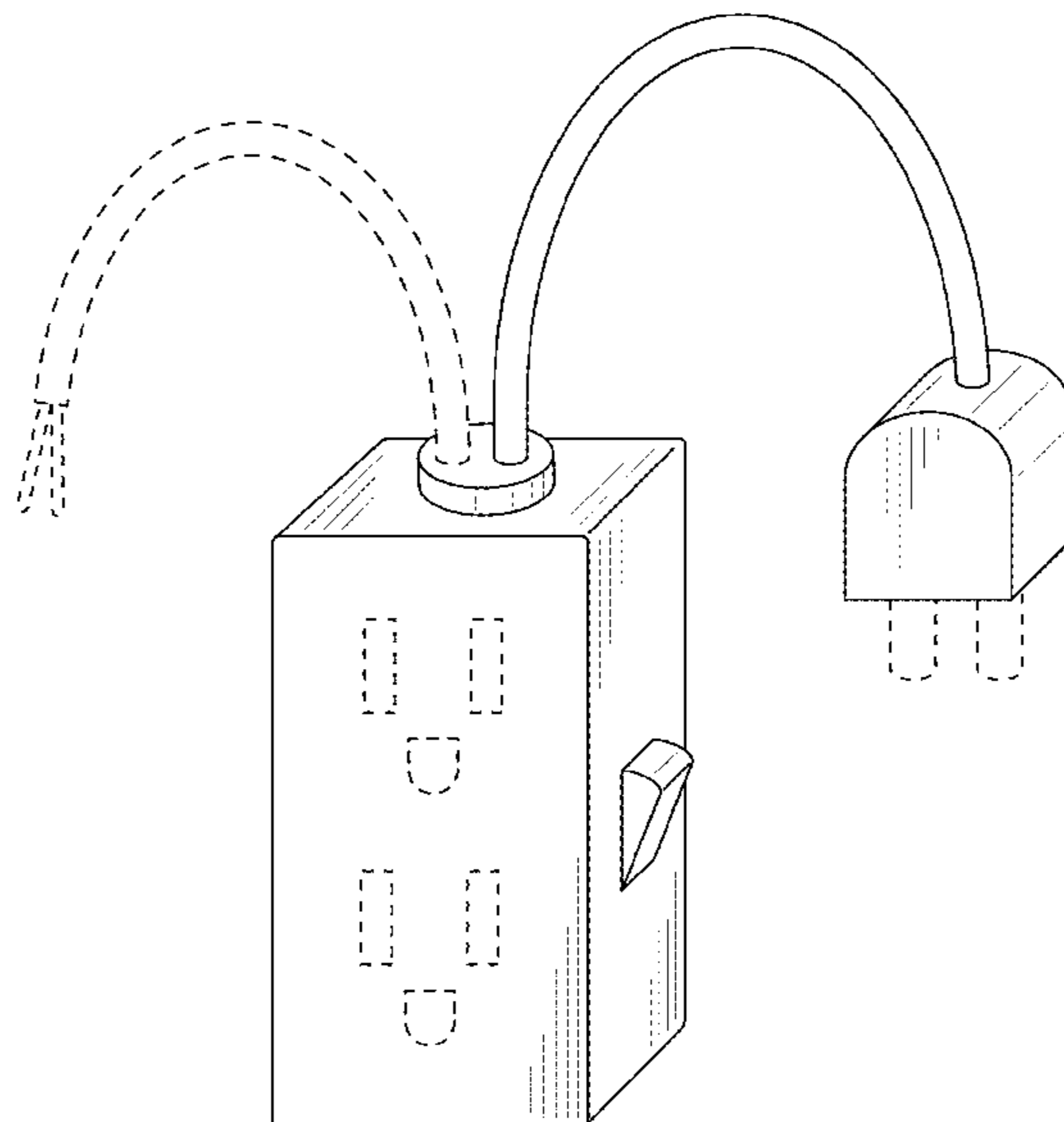
FIG. 1 is a perspective view of the child toy showing my new design;
FIG. 2 is a front view thereof;
FIG. 3 is a back view thereof;
FIG. 4 is a right side view thereof;
FIG. 5 is a left side view thereof;
FIG. 6 is a top view thereof; and,
FIG. 7 is a bottom view thereof.
The broken lines depict elements of the child toy that form no part of the claimed design.

1 Claim, 5 Drawing Sheets

(56) **References Cited**

U.S. PATENT DOCUMENTS

- 2,696,607 A * 12/1954 Witkin H01R 13/717
340/656
- D217,251 S * 4/1970 Kahn D13/139.8
- 3,659,247 A * 4/1972 Chaney H01B 7/08
439/32
- 3,938,068 A * 2/1976 Hagan H01R 31/02
337/189
- 4,383,186 A * 5/1983 Liang H01R 13/66
307/113
- D279,979 S * 8/1985 Kovacic D13/139.8



(56)

References Cited

U.S. PATENT DOCUMENTS

D399,186 S * 10/1998 Yasuhara D13/137.3
6,309,248 B1 * 10/2001 King H01R 13/7135
439/535
6,666,712 B1 * 12/2003 Kramer G06F 1/266
439/501
D486,792 S * 2/2004 Stoughton D13/137.2
D559,185 S * 1/2008 Waedeled D13/139.1
D719,096 S * 12/2014 DeCosta D13/137.2
D818,054 S * 5/2018 McLachlan D21/468
2015/0202544 A1 * 7/2015 Snee, Jr. A63H 33/00
434/236

FOREIGN PATENT DOCUMENTS

CN 301264616 * 6/2010
CN 301999187 * 7/2012

* cited by examiner

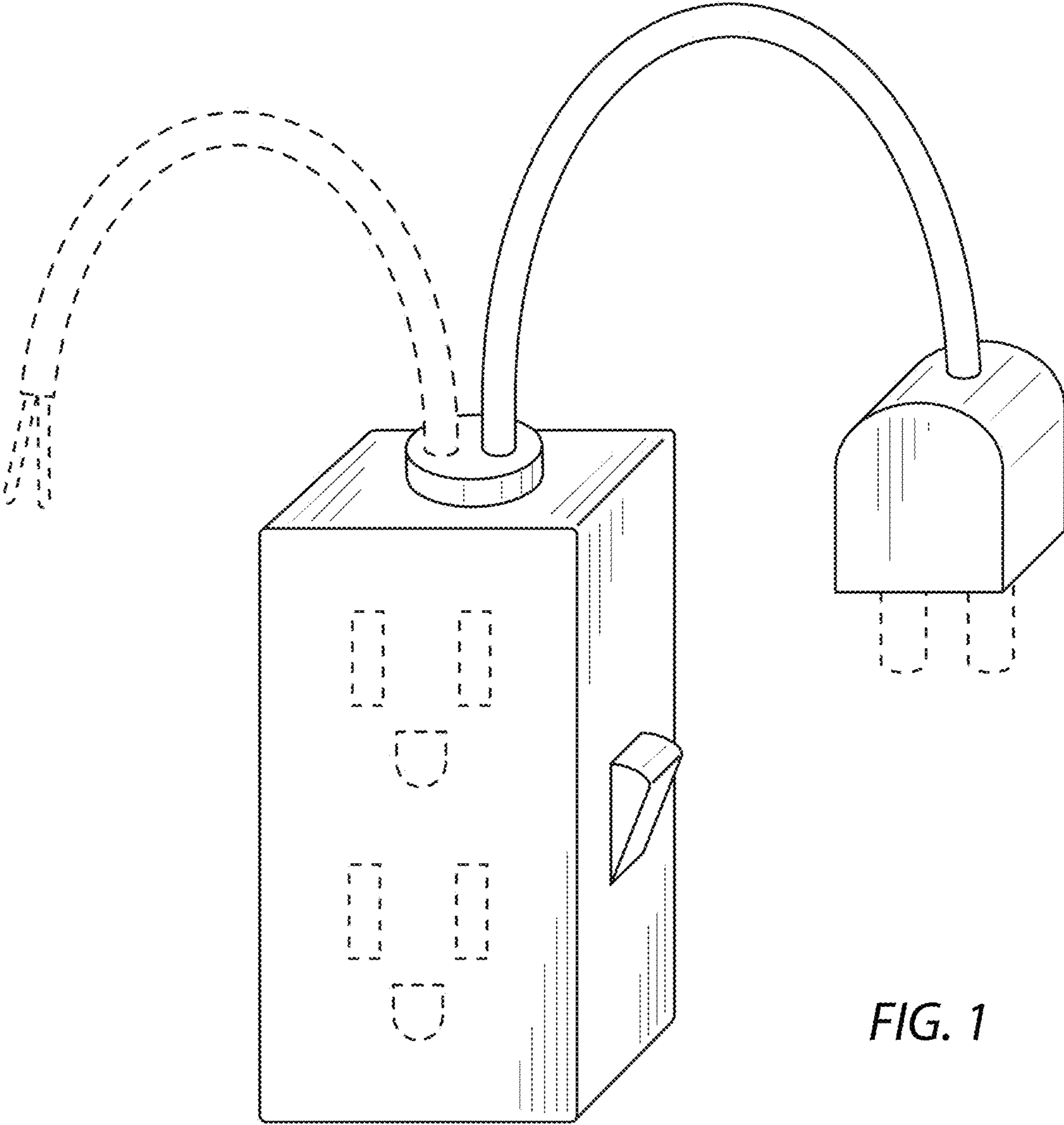


FIG. 1

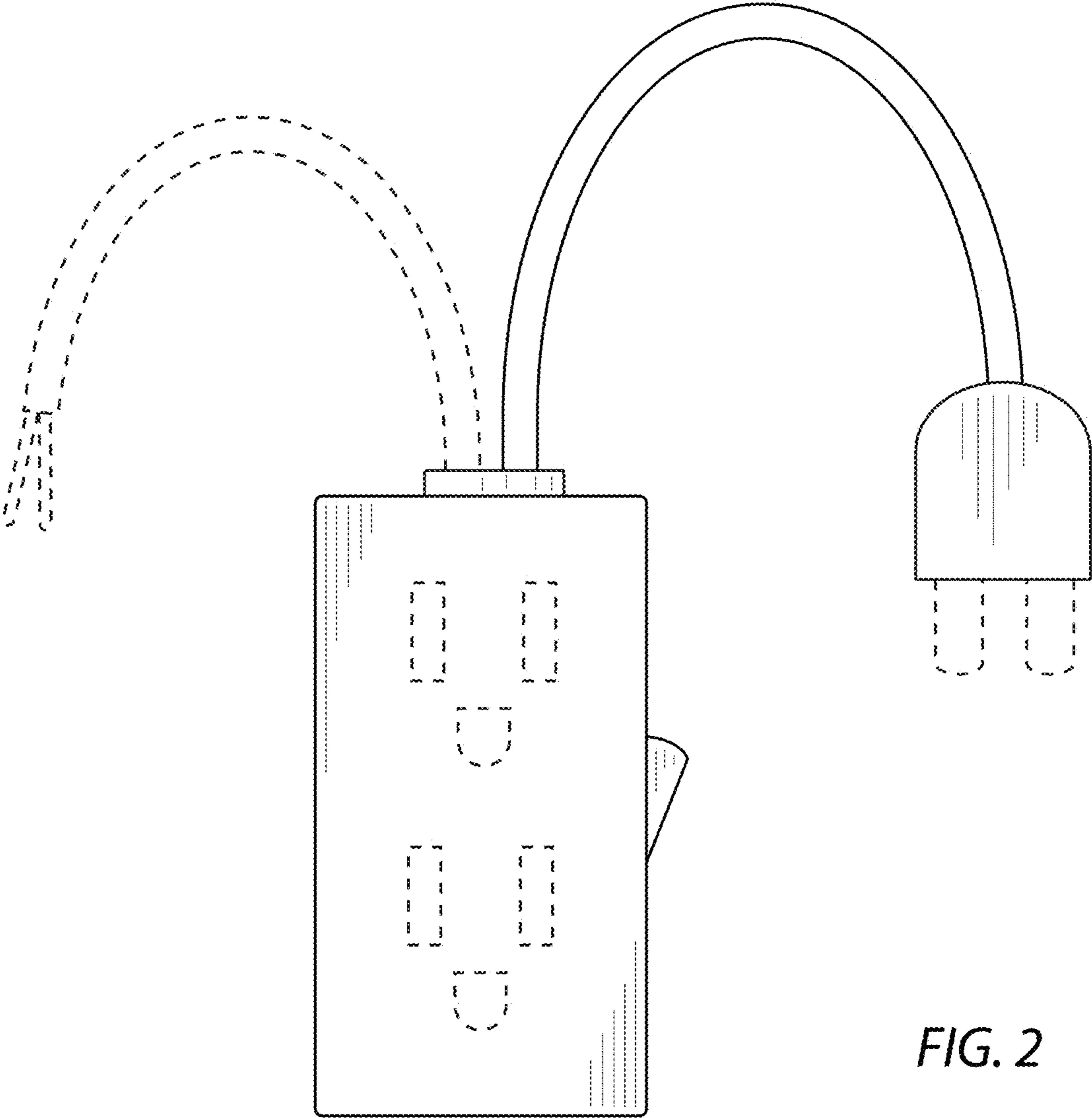


FIG. 2

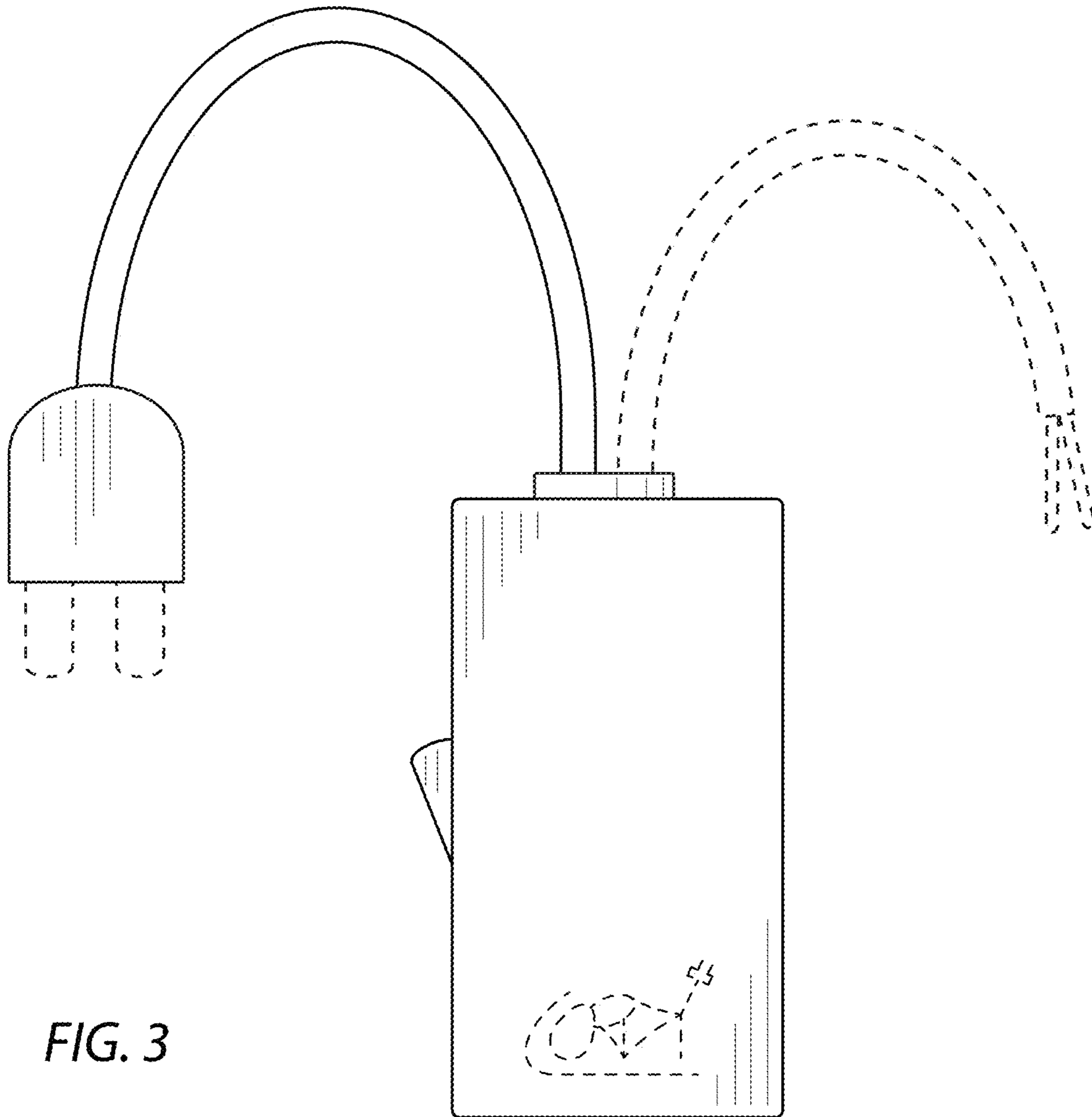


FIG. 3

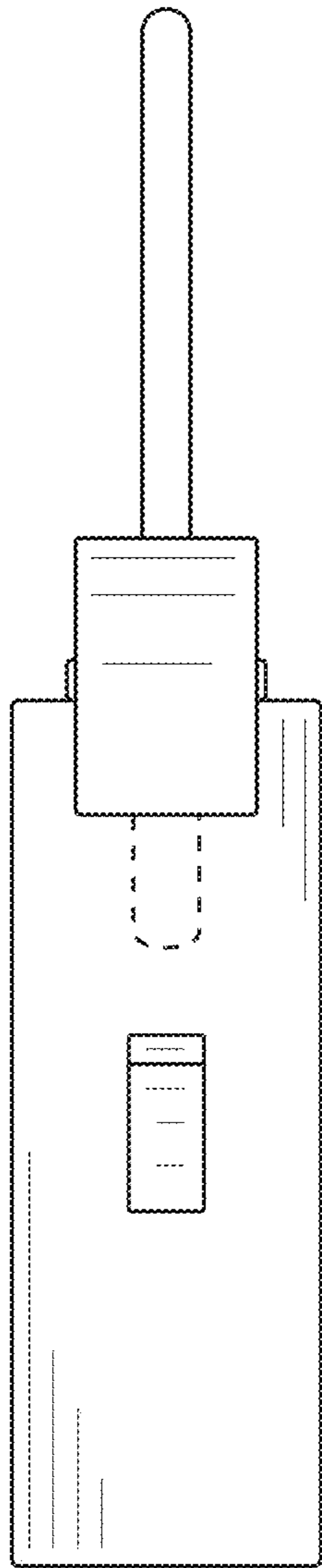


FIG. 4

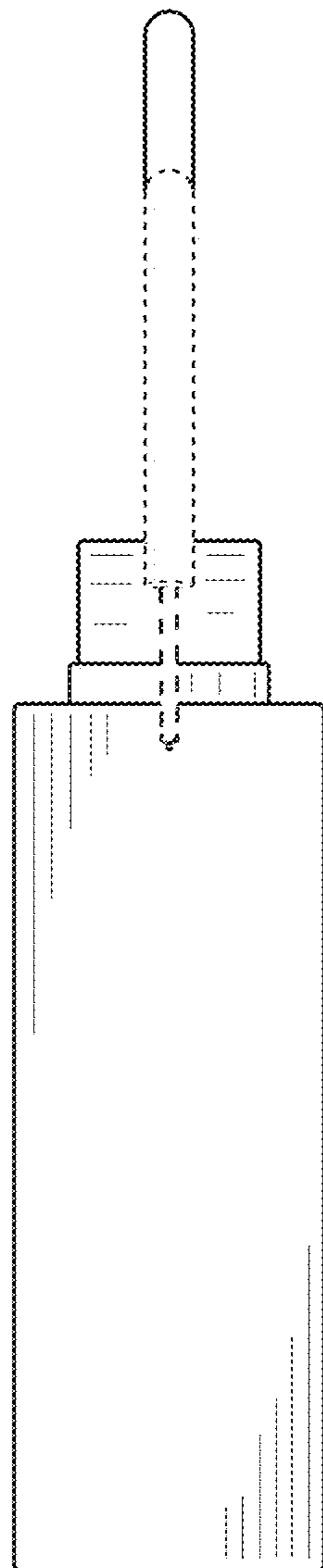


FIG. 5

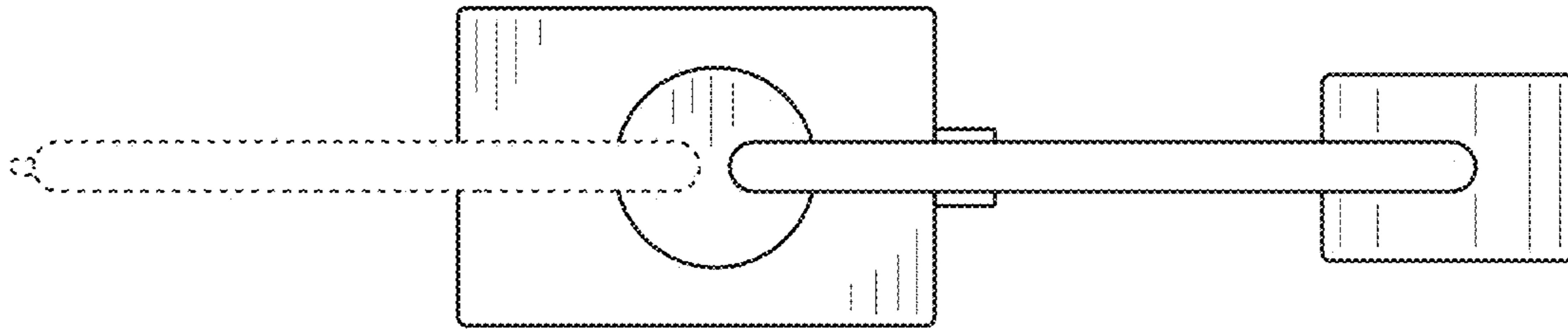


FIG. 6

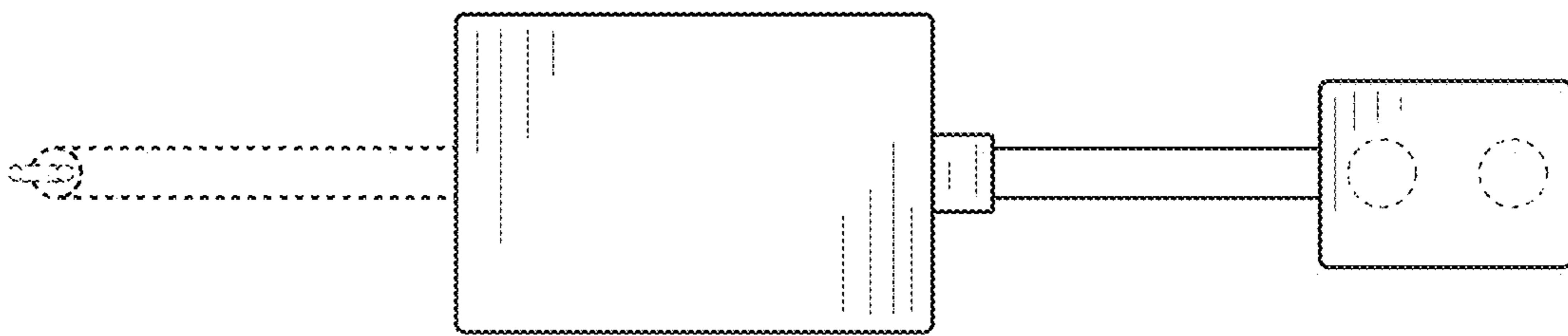


FIG. 7