



US00D877261S

(12) **United States Design Patent**
Schultheis et al.

(10) **Patent No.:** **US D877,261 S**
(45) **Date of Patent:** **** Mar. 3, 2020**

- (54) **LAUNCHING APPARATUS FOR SPINNING TOP TOY**
- (71) Applicant: **TOMY COMPANY, LTD.**, Tokyo (JP)
- (72) Inventors: **Douglas Arthur Schultheis**, Cumberland, RI (US); **Luke Christopher Lohan**, Abington, MA (US); **Michelino Paolino, Jr.**, Rumford, RI (US); **Thomas Maguire**, Warwick, RI (US)
- (73) Assignee: **TOMY COMPANY, LTD.**, Tokyo (JP)
- (**) Term: **15 Years**
- (21) Appl. No.: **29/667,753**
- (22) Filed: **Oct. 24, 2018**
- (51) **LOC (12) Cl.** **21-01**
- (52) **U.S. Cl.**
USPC **D21/461**
- (58) **Field of Classification Search**
USPC D21/454, 455-464, 561, 566, 570;
446/38-45, 236-266, 429, 430, 462, 489
CPC A63H 1/00-06; A63H 1/12; A63H 17/008;
A63H 27/14; A63H 29/00; A63H 29/20;
A63H 29/24; A63H 31/06; A63H 31/08;
A63F 9/16
See application file for complete search history.

- (56) **References Cited**
U.S. PATENT DOCUMENTS
1,208,431 A * 12/1916 Wilcox A63H 1/04
446/263
D50,405 S * 2/1917 Sandor D21/461
D199,536 S * 11/1964 Salayka D21/461
3,224,142 A * 12/1965 Pawelka A63H 1/02
446/138

- 3,473,256 A * 10/1969 Tyler A63H 27/14
446/38
 - D224,250 S * 7/1972 Crain et al. D21/454
 - D225,423 S * 12/1972 Tanis D21/461
 - D353,633 S * 12/1994 Nonaka D21/461
 - D616,043 S * 5/2010 Ujita D21/461
 - 9,435,820 B1 * 9/2016 Muraki G01P 3/486
 - D790,635 S * 6/2017 Horikoshi D21/461
 - D816,781 S * 5/2018 Horikoshi D21/461
 - D825,677 S * 8/2018 Kitamura D21/461
 - D842,936 S * 3/2019 Shindo D21/461
 - D843,490 S * 3/2019 Kelemen D21/461
- (Continued)

FOREIGN PATENT DOCUMENTS

- CA 2920495 A1 * 2/2015 A63H 1/04
 - CN 3333083 * 10/2003
 - CN 300925099 * 5/2009
- (Continued)

Primary Examiner — Catherine A Tuttle
(74) *Attorney, Agent, or Firm* — Oliff PLC

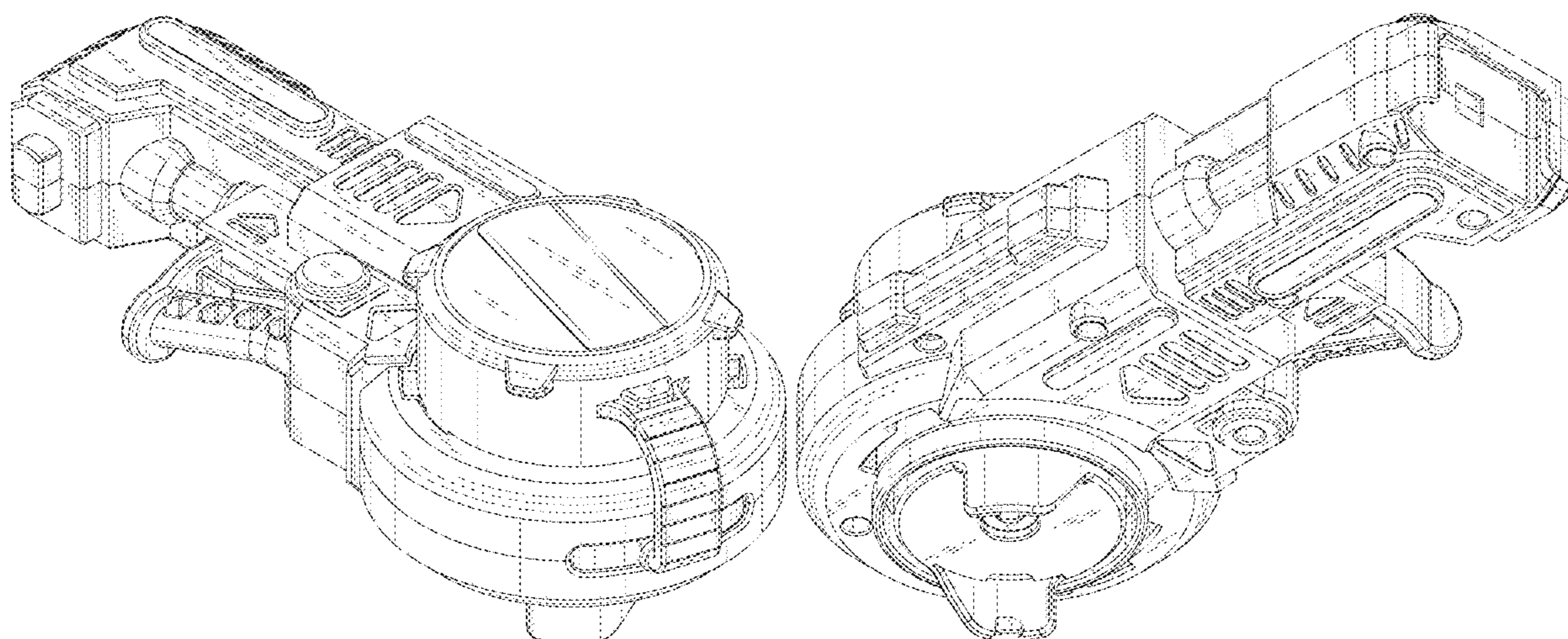
(57) **CLAIM**

The ornamental design for a launching apparatus for spinning top toy, as shown and described.

DESCRIPTION

FIG. 1 is a front elevational view of the launching apparatus for spinning top toy;
FIG. 2 is a rear elevational view thereof;
FIG. 3 is a left-side elevational view thereof;
FIG. 4 is a right-side elevational view thereof;
FIG. 5 is a top plan view thereof;
FIG. 6 is a bottom plan view thereof;
FIG. 7 is a front, right-side, top perspective view thereof;
and,
FIG. 8 is a rear, left-side, bottom perspective view thereof.

1 Claim, 8 Drawing Sheets



(56)

References Cited

U.S. PATENT DOCUMENTS

D852,895 S * 7/2019 Saito D21/461
2003/0199222 A1* 10/2003 Matsukawa A63H 1/04
446/256

FOREIGN PATENT DOCUMENTS

CN 302944420 * 9/2014
CN 303648727 * 4/2016
CN 303960465 * 12/2016
CN 304812288 * 9/2018
CN 304830189 * 9/2018
EP 0659456 A2 * 6/1995 A63H 1/02
JP 3164823 U * 12/2010 A63H 1/12

* cited by examiner

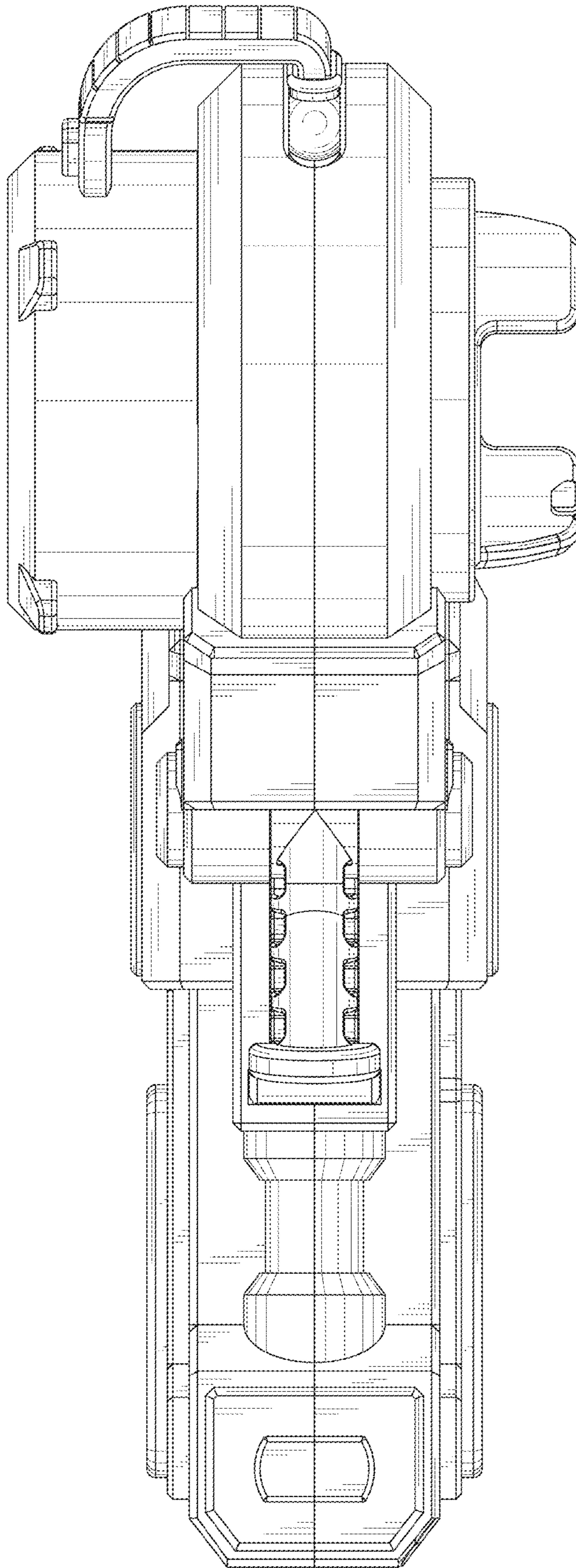


FIG. 1

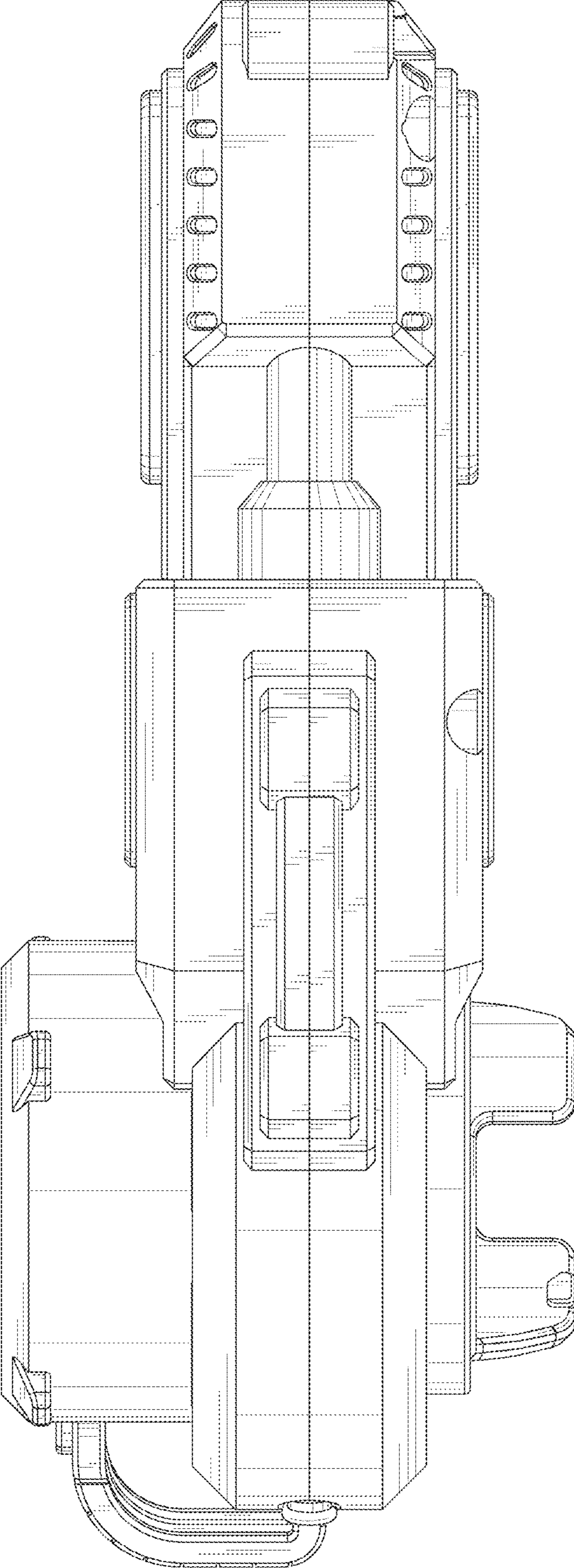


FIG. 2

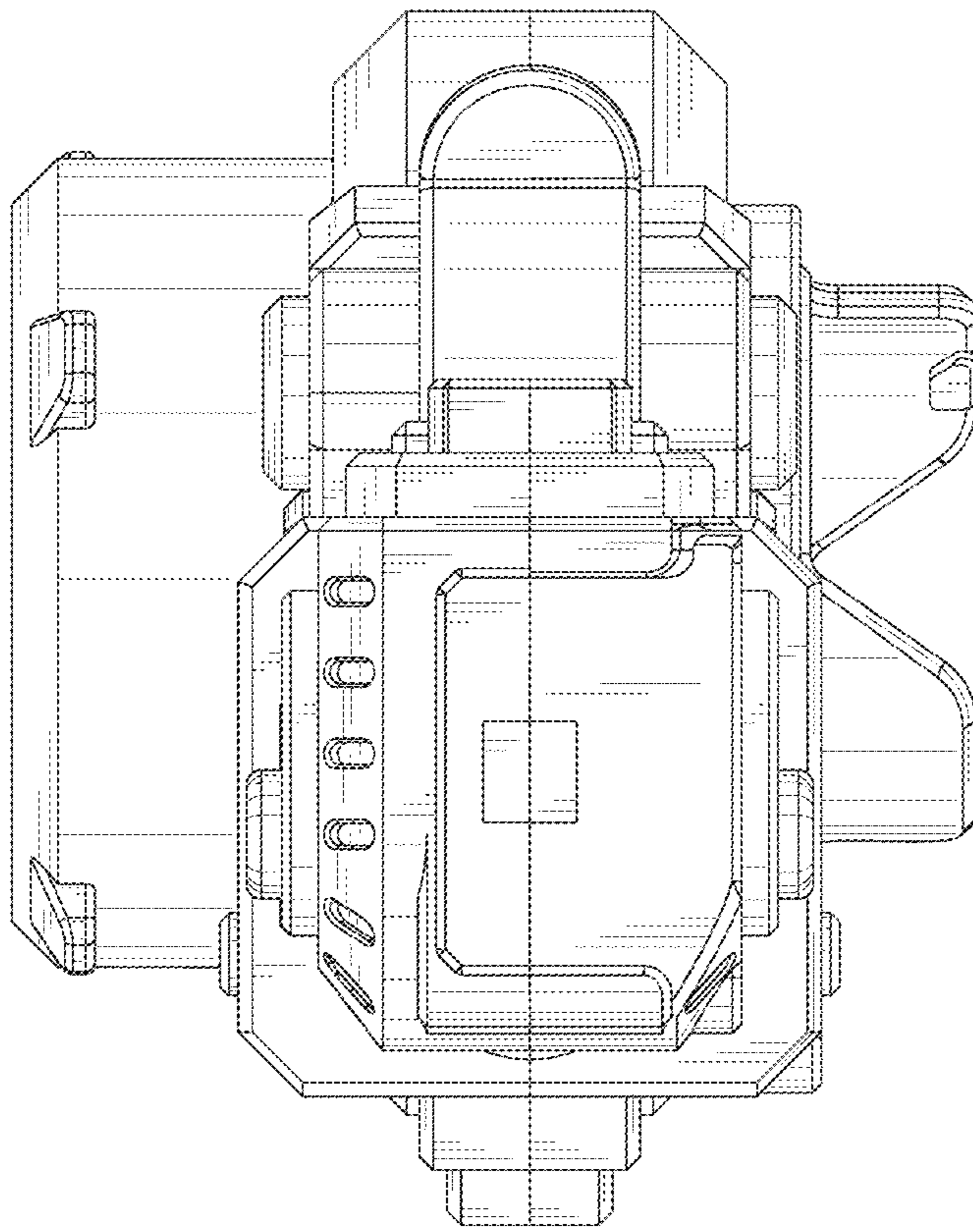


FIG. 3

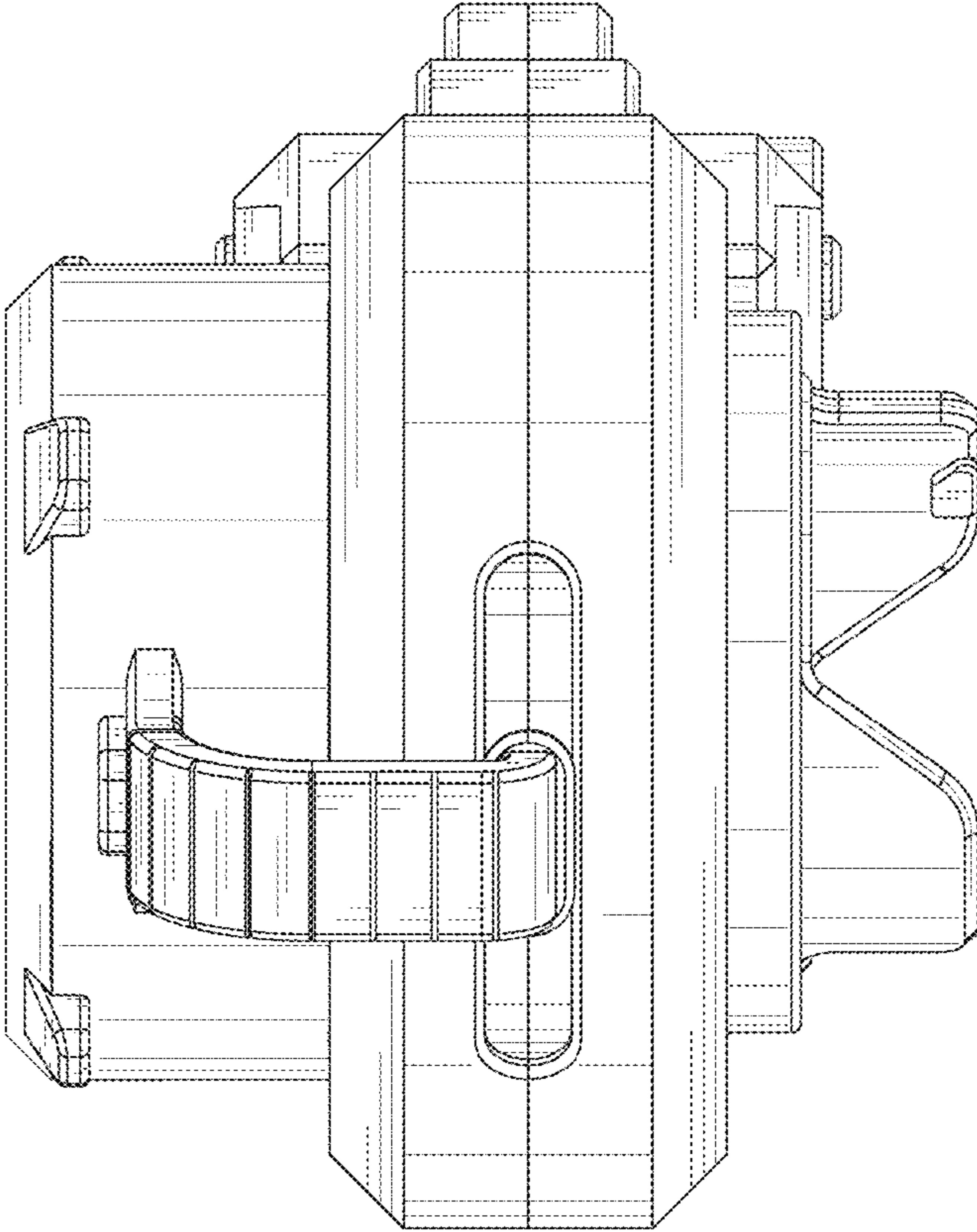


FIG. 4

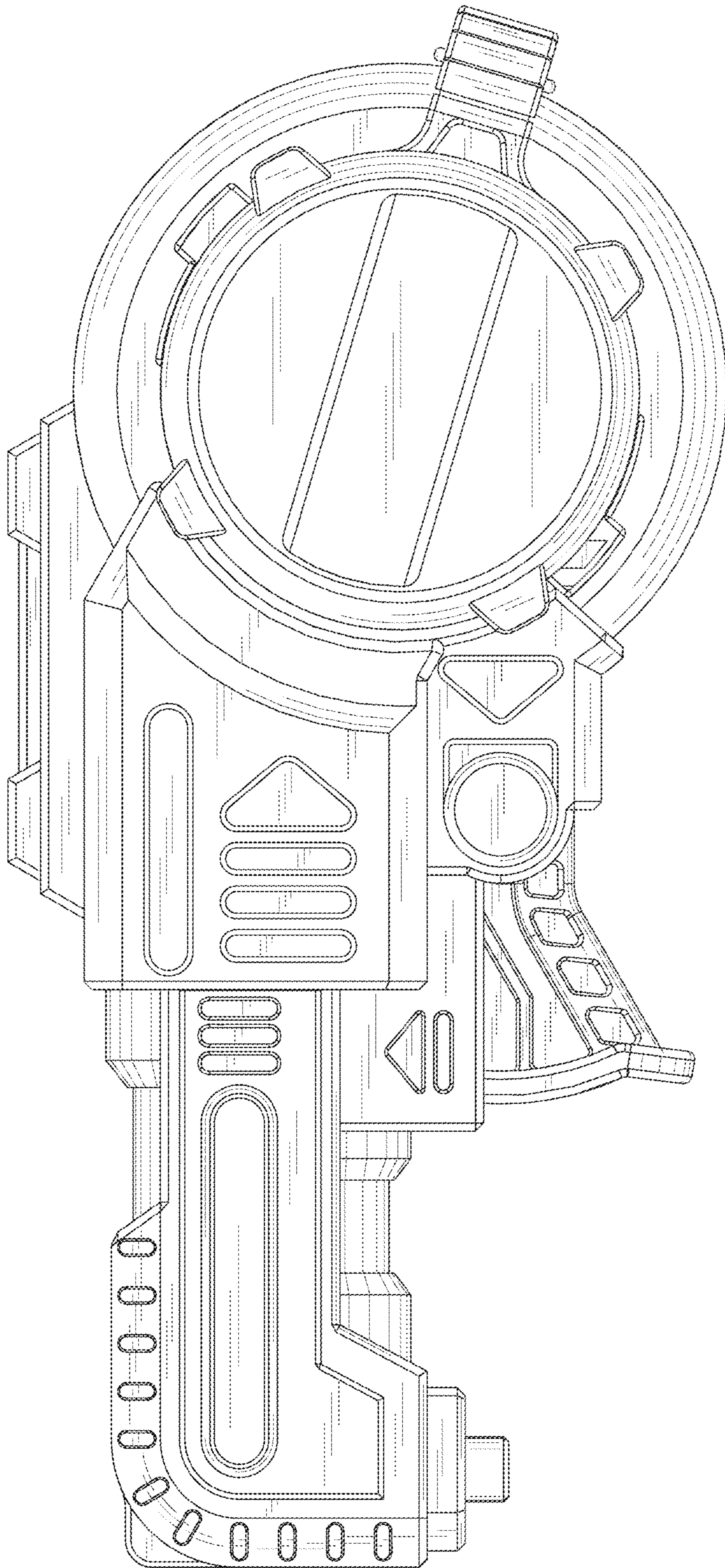


FIG. 5

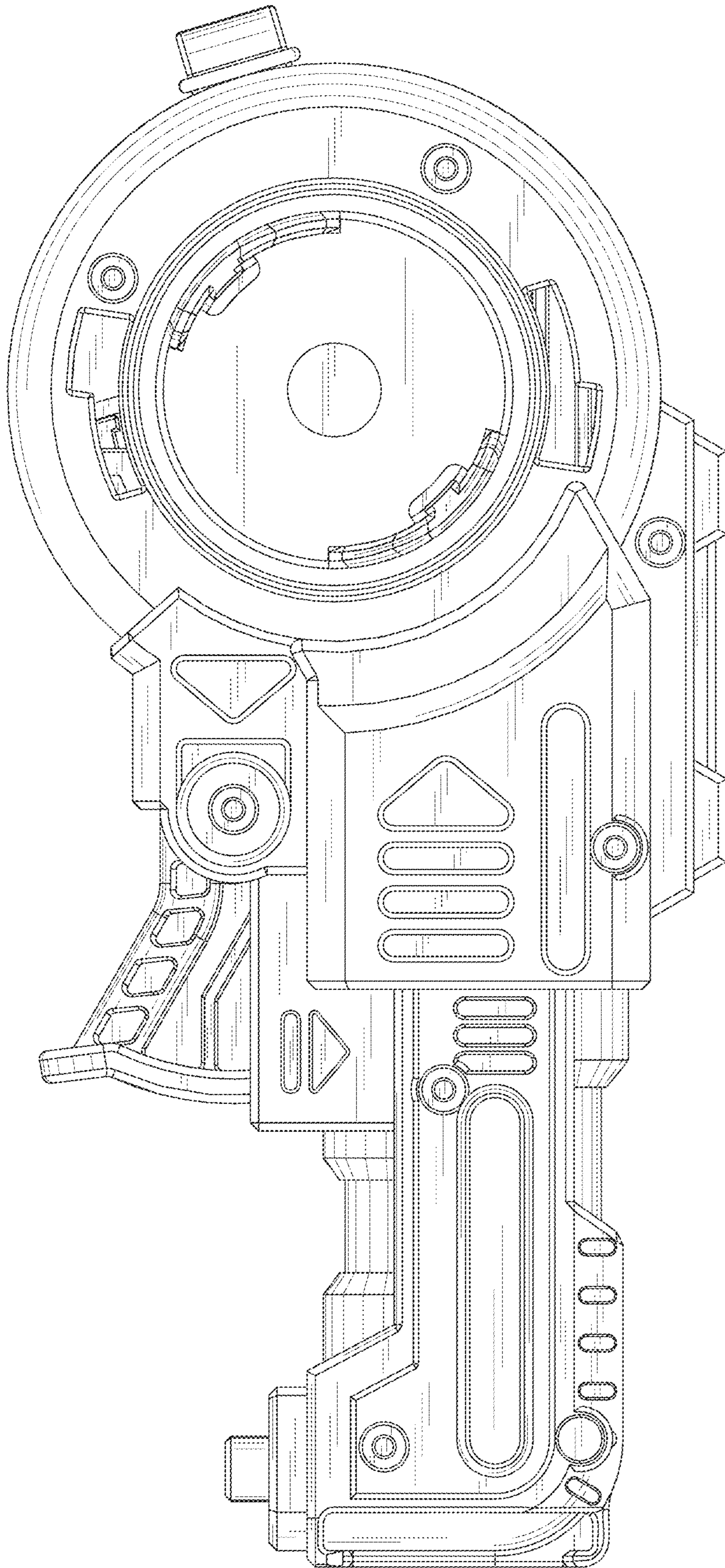


FIG. 6

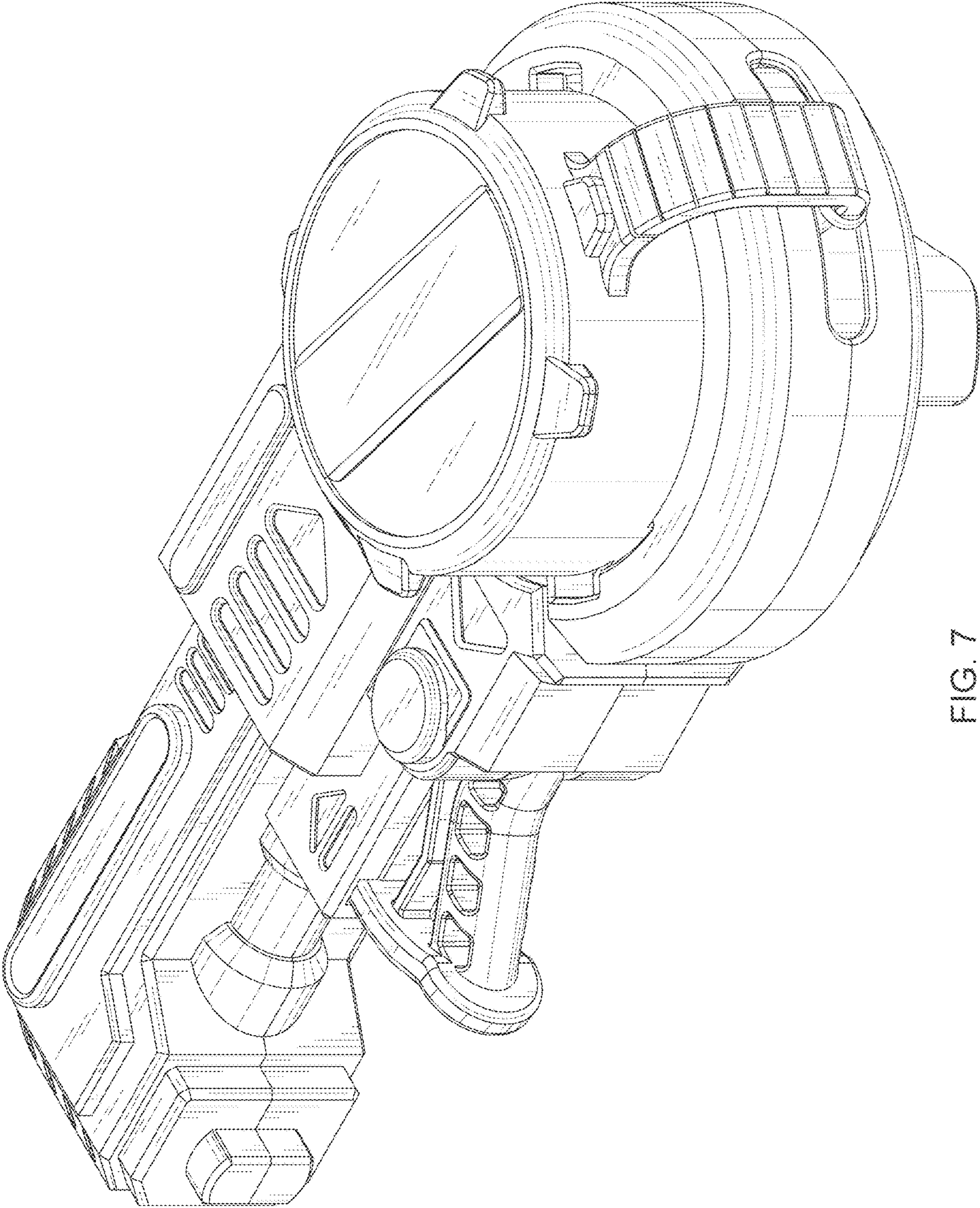


FIG. 7

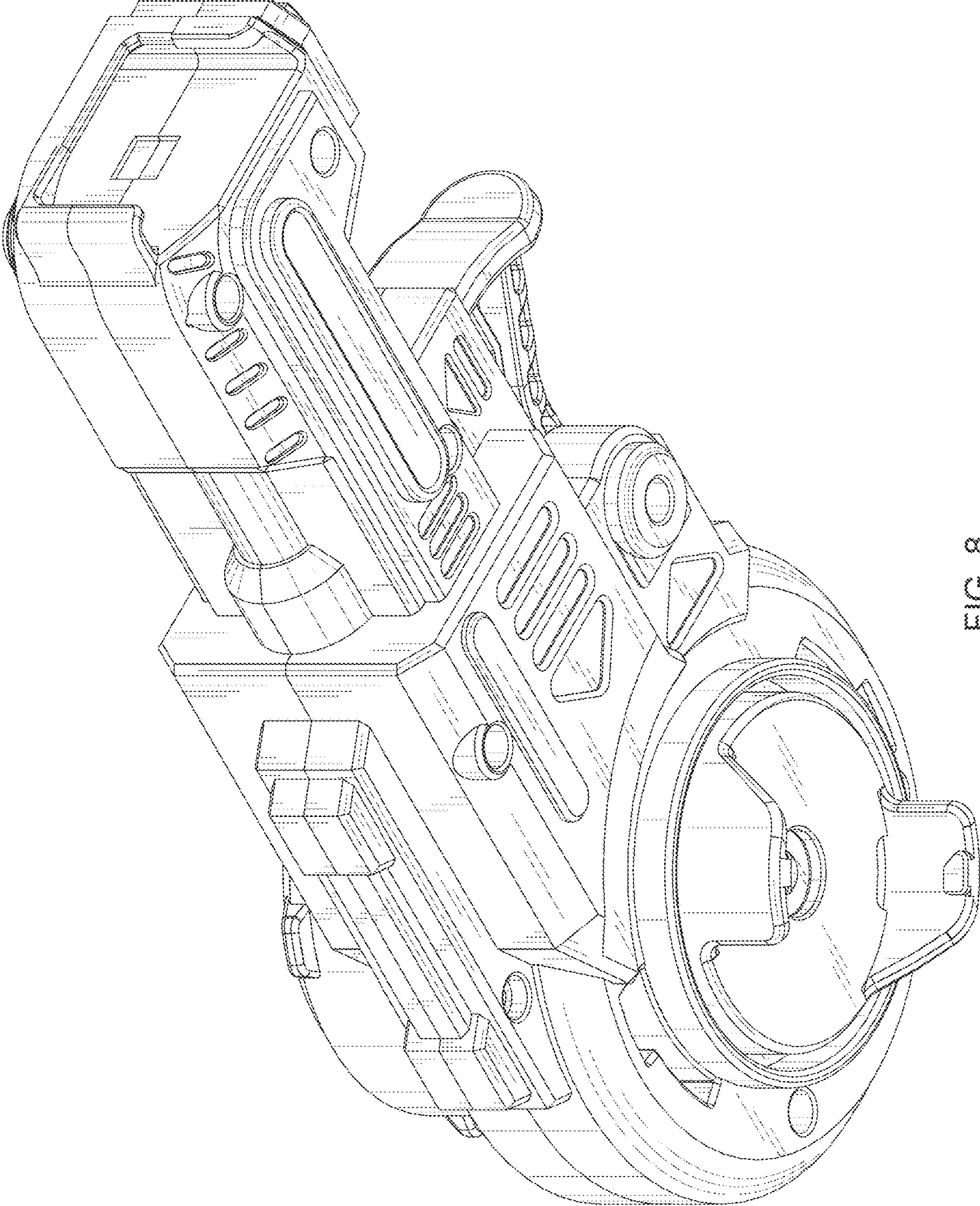


FIG. 8