



US00D877260S

(12) **United States Design Patent**
Schultheis et al.

(10) **Patent No.:** **US D877,260 S**
(45) **Date of Patent:** **** Mar. 3, 2020**

(54) **WINDER FOR LAUNCHING APPARATUS
FOR SPINNING TOP TOY**

(71) Applicant: **TOMY COMPANY, LTD.**, Tokyo (JP)

(72) Inventors: **Douglas Arthur Schultheis**,
Cumberland, RI (US); **Michelino
Paolino, Jr.**, Rumford, RI (US);
Thomas Maguire, Warwick, RI (US);
Luke Christopher Lohan, Abington,
MA (US)

(73) Assignee: **TOMY COMPANY, LTD.**, Tokyo (JP)

(**) Term: **15 Years**

(21) Appl. No.: **29/667,747**

(22) Filed: **Oct. 24, 2018**

(51) **LOC (12) Cl.** **21-01**

(52) **U.S. Cl.**

USPC **D21/461**; D21/454; D21/463

(58) **Field of Classification Search**

USPC D21/453, 454, 455-464, 561; 446/38-45,
446/236-266, 429, 430, 462, 489

CPC A63H 1/00-06; A63H 1/12; A63H 17/008;
A63H 27/14; A63H 29/00; A63H 29/20;
A63H 29/24; A63H 31/06; A63H 31/08;
A63F 9/16

See application file for complete search history.

(56) **References Cited**

U.S. PATENT DOCUMENTS

755,446 A * 3/1904 Butcher A63H 1/00
446/233
6,743,070 B1 * 6/2004 Lin A63H 1/02
446/15
7,063,589 B2 * 6/2006 Matsukawa A63H 1/04
446/256

D825,674 S * 8/2018 Horikoshi D21/461
D838,318 S * 1/2019 Saito D21/461
2008/0194173 A1 * 8/2008 Tiefel A63H 1/04
446/236
2011/0104981 A1 * 5/2011 Desent A63H 17/008
446/435
2016/0129354 A1 * 5/2016 Choi A63H 1/02
446/233
2016/0310854 A1 * 10/2016 Kubo A63H 1/04

FOREIGN PATENT DOCUMENTS

CN 3333083 * 10/2003
CN 303339967 * 8/2015
CN 303533290 * 12/2015
EP 0332407 A1 * 9/1989 A63H 17/00
WO WO-2007046535 A1 * 4/2007 A63H 1/04
WO WO-2012148779 A1 * 11/2012 A63H 1/00

* cited by examiner

Primary Examiner — Catherine A Tuttle

(74) *Attorney, Agent, or Firm* — Oliff PLC

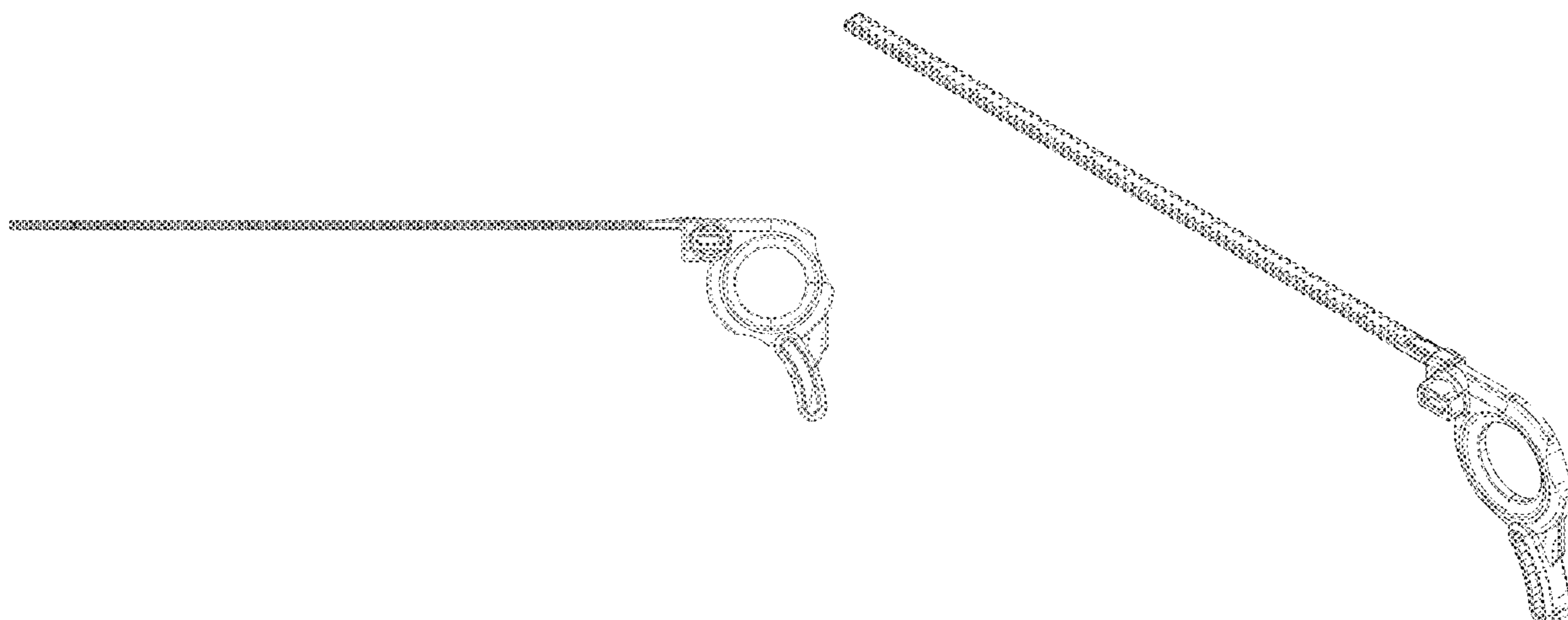
(57) **CLAIM**

The ornamental design for a winder for launching apparatus for spinning top toy, as shown and described.

DESCRIPTION

FIG. 1 is a front elevational view of the winder for launching apparatus for spinning top toy;
FIG. 2 is a rear elevational view thereof;
FIG. 3 is a left-side elevational view thereof;
FIG. 4 is a right-side elevational view thereof;
FIG. 5 is a top plan view thereof;
FIG. 6 is a bottom plan view thereof;
FIG. 7 is a front, right-side perspective view thereof;
FIG. 8 is a front, right-side, top perspective view thereof;
FIG. 9 is a rear, bottom perspective view thereof; and,
FIG. 10 is a rear, left-side, bottom perspective view thereof.

1 Claim, 8 Drawing Sheets



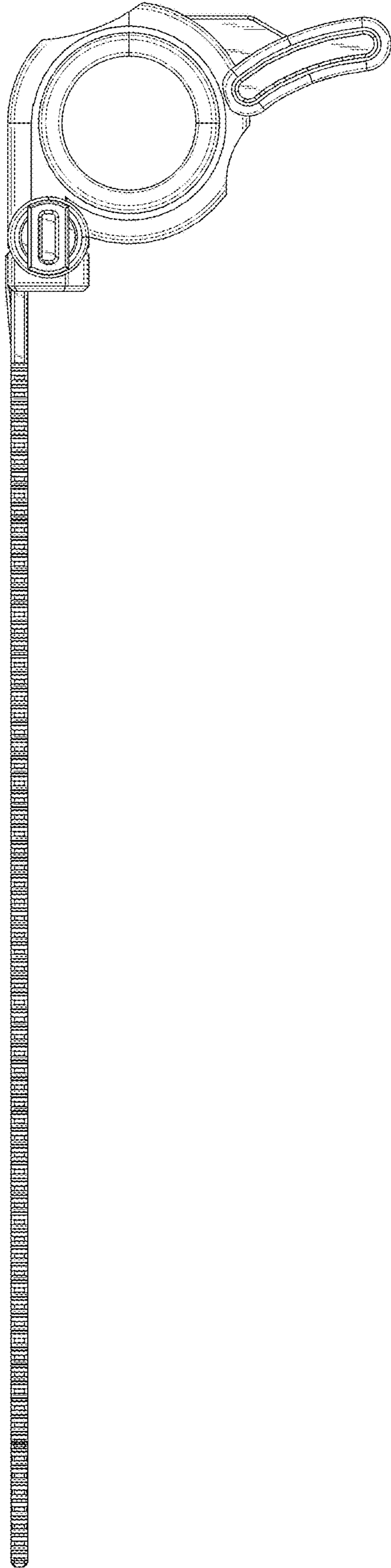


FIG. 1

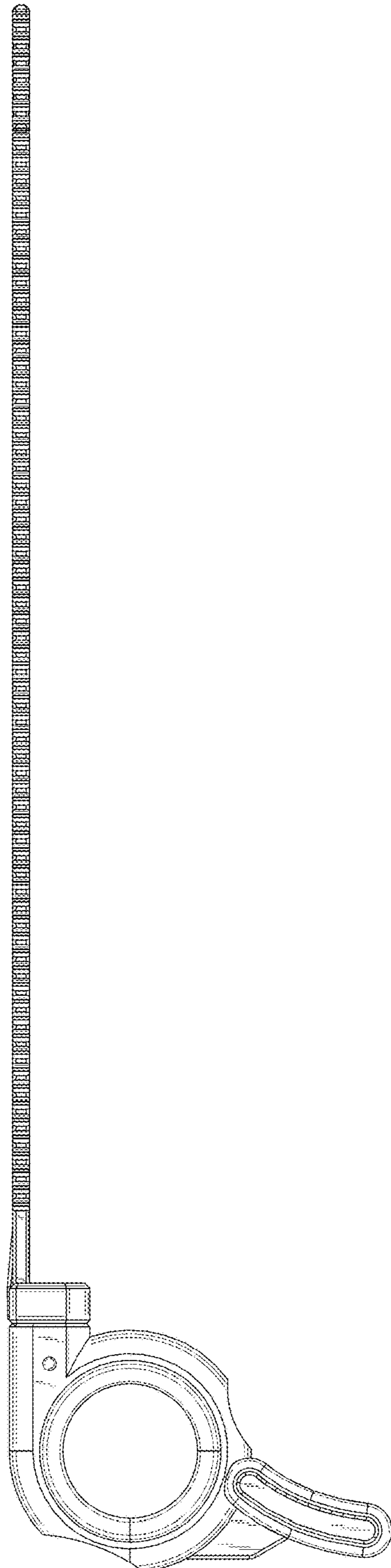


FIG. 2

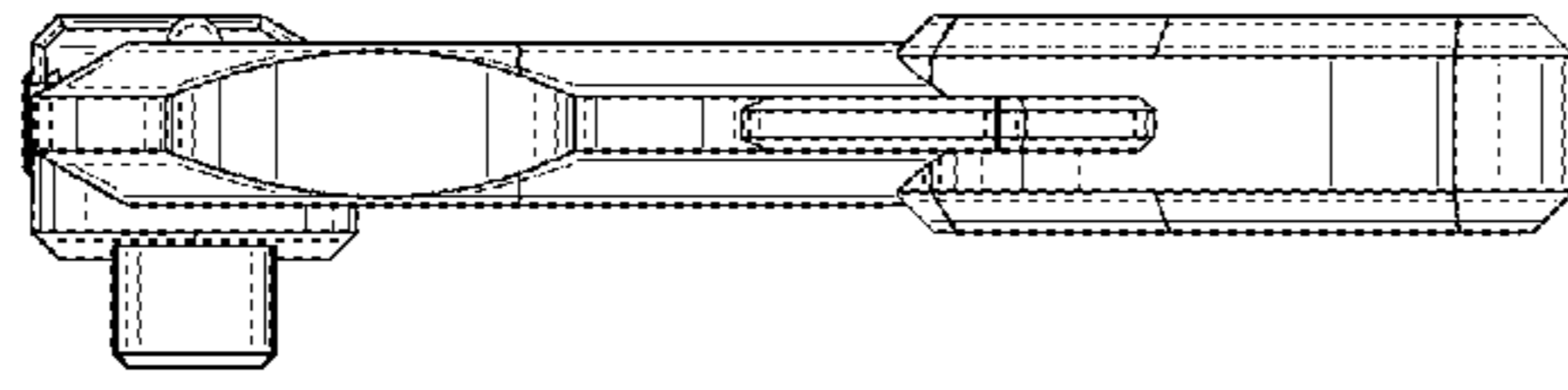


FIG. 4

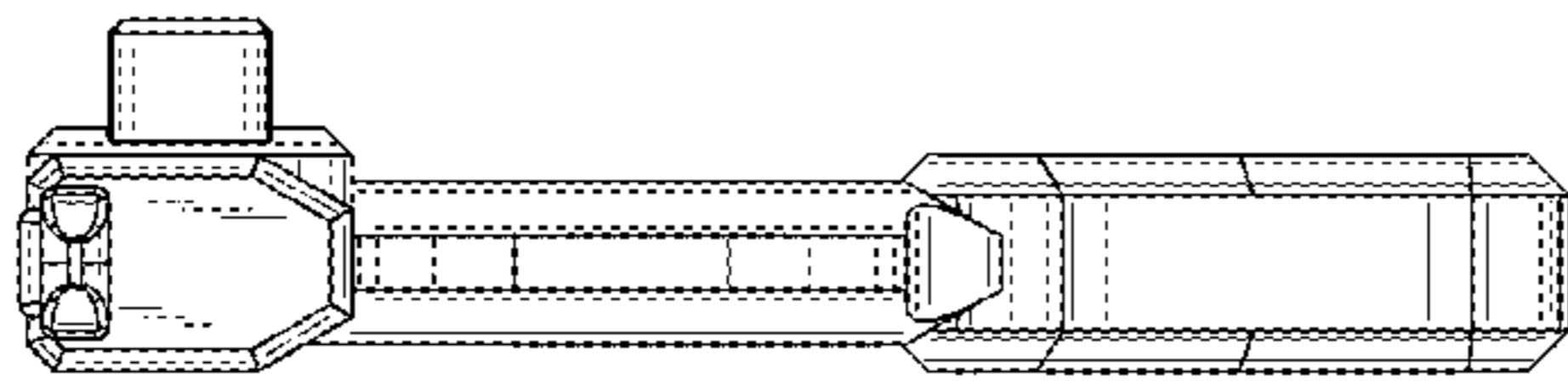


FIG. 3

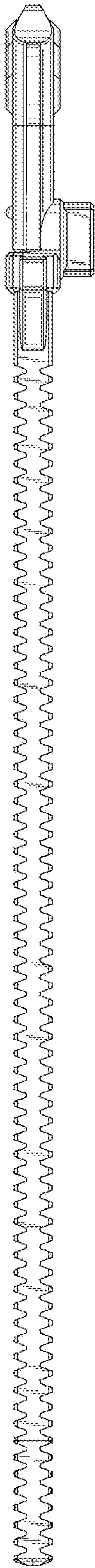


FIG. 5

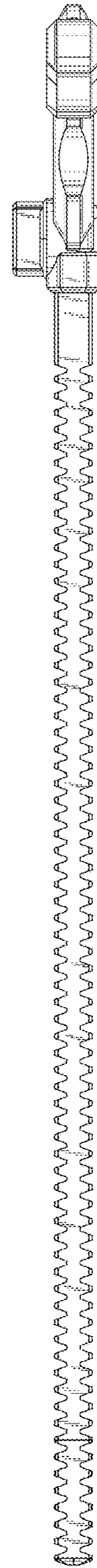


FIG. 6

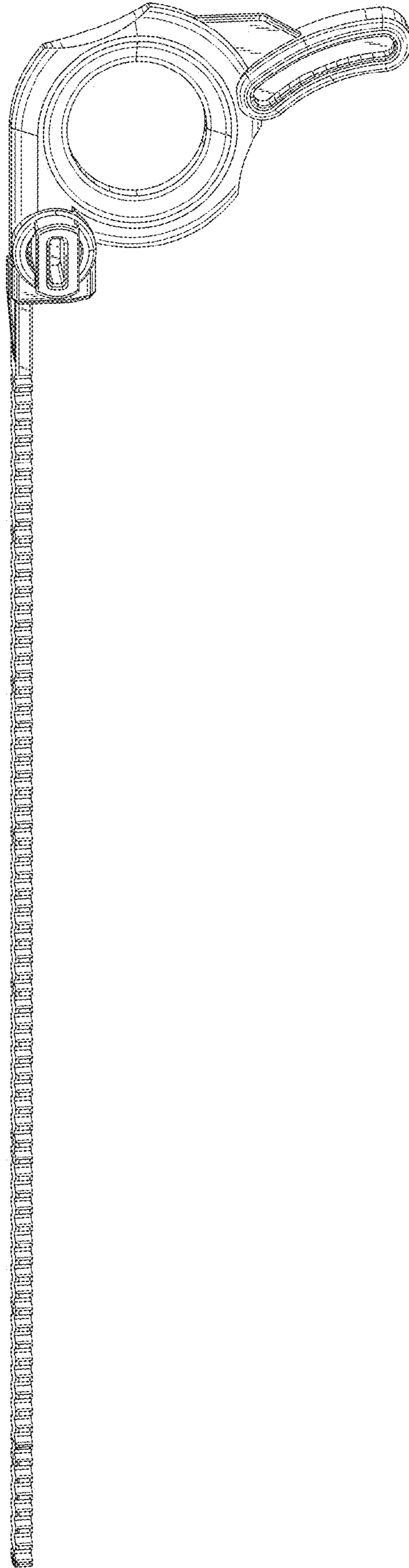


FIG. 7

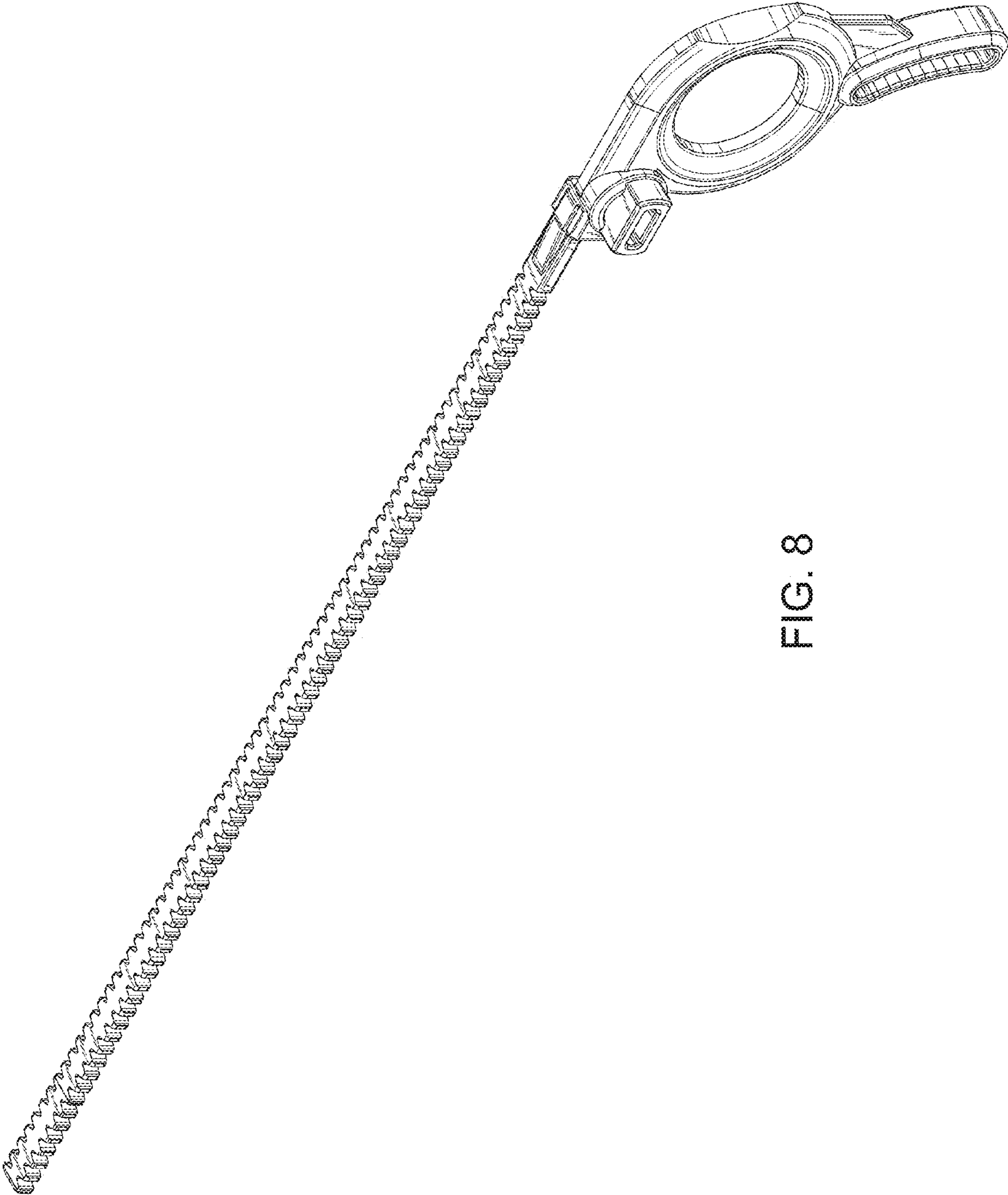


FIG. 8

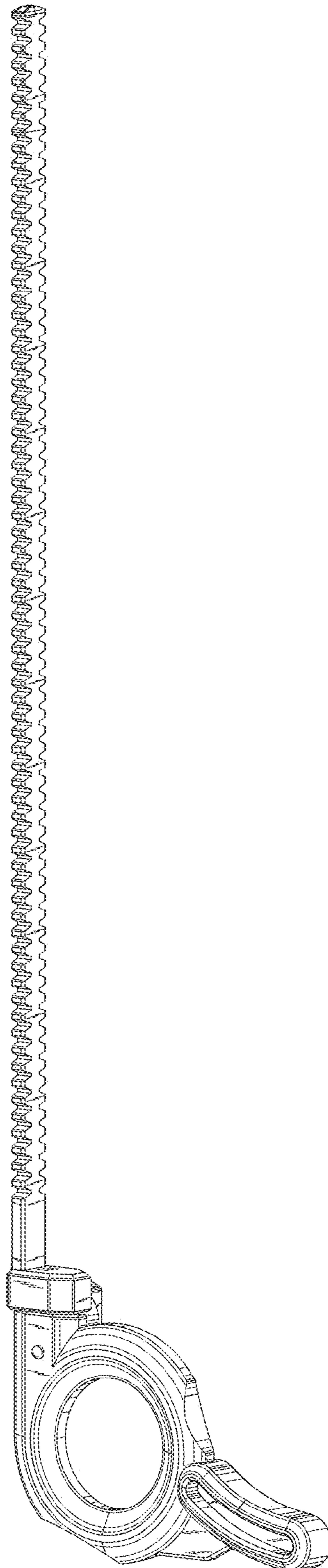


FIG. 9

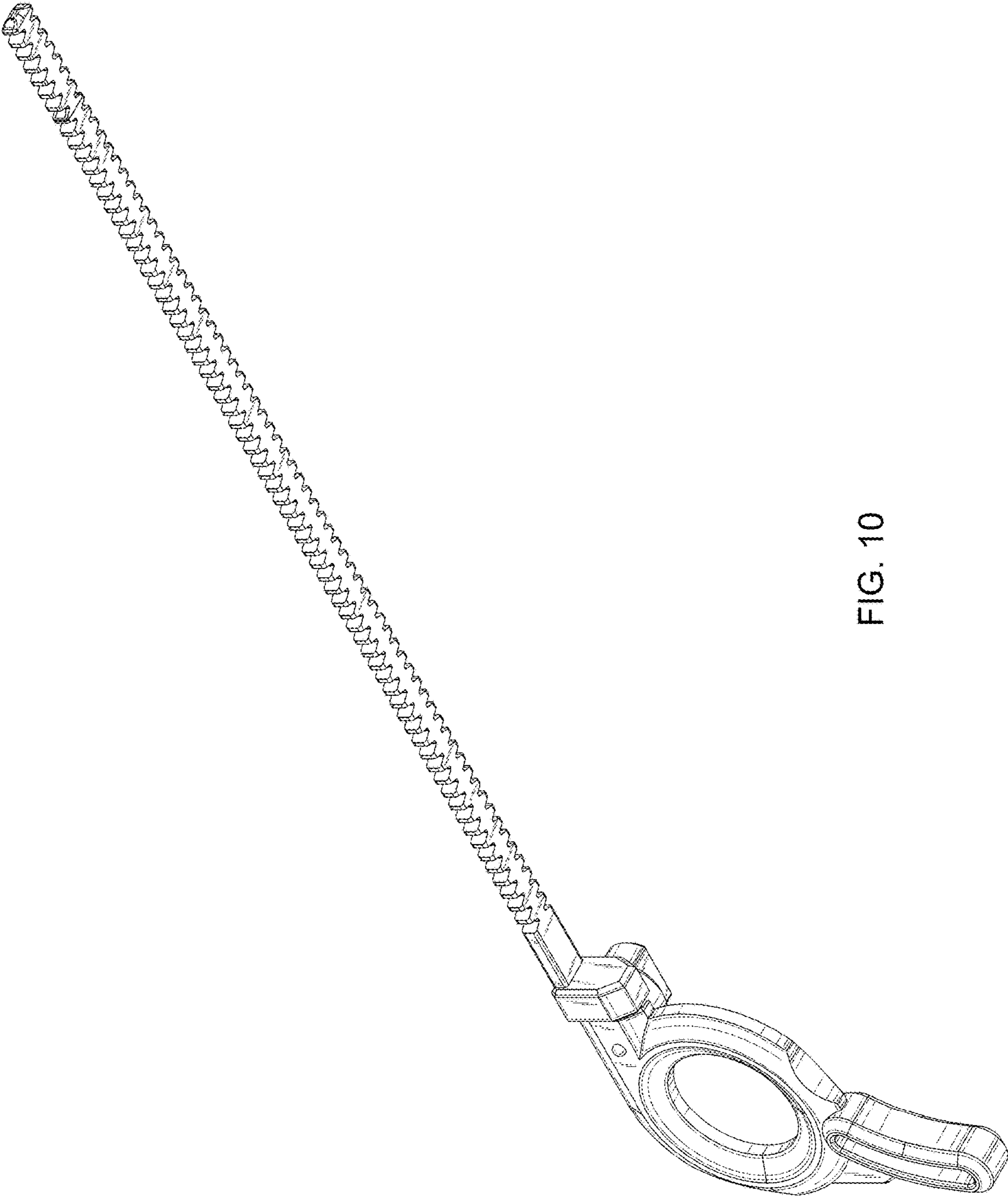


FIG. 10