



US00D877256S

(12) **United States Design Patent**
Engler et al.

(10) **Patent No.:** **US D877,256 S**
(45) **Date of Patent:** **** Mar. 3, 2020**

- (54) **BULLSEYE TOSS GAME**
- (71) Applicant: **P&P Imports, LLC**, Santa Ana, CA (US)
- (72) Inventors: **Peter Engler**, Newport Beach, CA (US); **Peter Tanoury**, Newport Beach, CA (US)
- (73) Assignee: **P&P IMPORTS LLC**, Santa Ana, CA (US)
- (**) Term: **15 Years**
- (21) Appl. No.: **29/671,794**
- (22) Filed: **Nov. 29, 2018**
- (51) **LOC (12) Cl.** **21-01**
- (52) **U.S. Cl.**
USPC **D21/303**
- (58) **Field of Classification Search**
USPC D21/300-303, 319, 355, 342, 386, 699, D21/705, 771, 780, 789, 790, 791, D21/804.805; 273/404, 407, 410, 108; 473/164, 172, 197, 436
CPC A63B 65/00; A63B 1/00; A63B 67/00; A63B 63/00; A63B 63/04; A63B 63/045; A63F 1/067; A47B 25/00
See application file for complete search history.

- 6,155,936 A * 12/2000 Dorr A63B 63/00 124/6
 - D645,520 S * 9/2011 Dahl D21/303
 - D706,354 S * 6/2014 Montenare D21/303
 - D838,791 S * 1/2019 Schneider D21/699
 - 2009/0295093 A1* 12/2009 Kiernan A63B 63/08 273/317.2
 - 2009/0309307 A1* 12/2009 Leal A63B 63/00 273/348.4
 - 2015/0054221 A1* 2/2015 Sandman A63B 67/06 273/402
 - 2018/0056155 A1* 3/2018 McAuley A63B 63/08
- * cited by examiner

Primary Examiner — Kevin K Rudzinski
Assistant Examiner — Mehri F Bajoul
 (74) *Attorney, Agent, or Firm* — Casey Kempner

(57) **CLAIM**

The ornamental design for a bullseye toss game, as shown and described.

DESCRIPTION

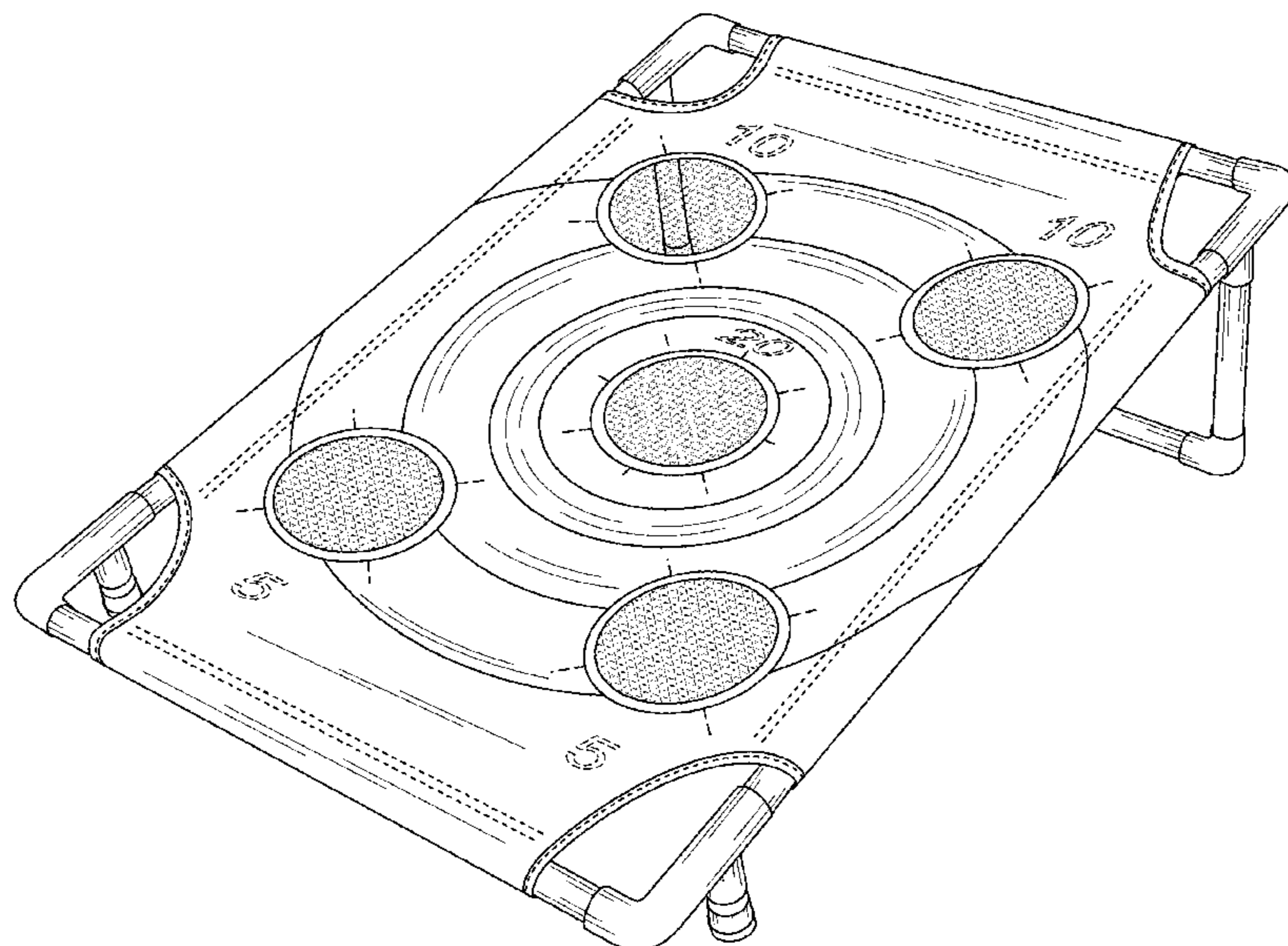
FIG. 1 is a top perspective view of a bullseye toss game shown in FIG. 1.
 FIG. 2 is a top view of the bullseye toss game shown in FIG. 1.
 FIG. 3 is a bottom view of the bullseye toss game shown in FIG. 1.
 FIG. 4 is a right-side view of the bullseye toss game shown in FIG. 1.
 FIG. 5 is a left-side view of the bullseye toss game shown in FIG. 1.
 FIG. 6 is a rear-side view of the bullseye toss game shown in FIG. 1; and,
 FIG. 7 is a front-side view of the bullseye toss game shown in FIG. 1.
 The broken lines in the figures show portions of the bullseye toss game that form no part of the claimed design.

1 Claim, 7 Drawing Sheets

(56) **References Cited**

U.S. PATENT DOCUMENTS

- 2,170,850 A * 8/1939 Bonnett F41J 3/0038 273/403
- D146,786 S * 5/1947 Camp et al. D21/345
- 5,125,650 A * 6/1992 Paris A63B 21/00047 482/140
- D352,326 S * 11/1994 Hsiao D21/790
- 5,860,655 A * 1/1999 Starrett F41J 3/0004 273/407



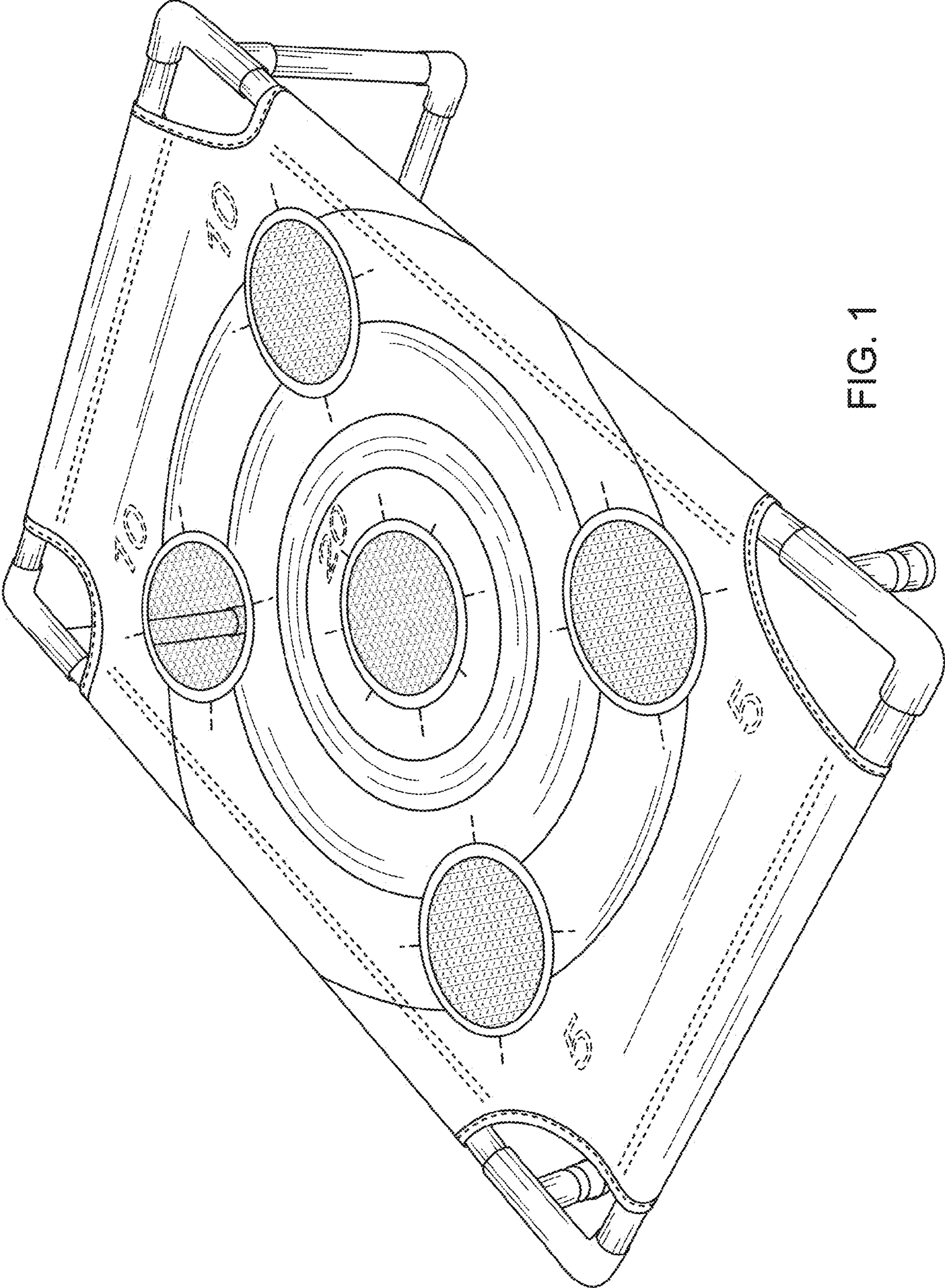


FIG. 1

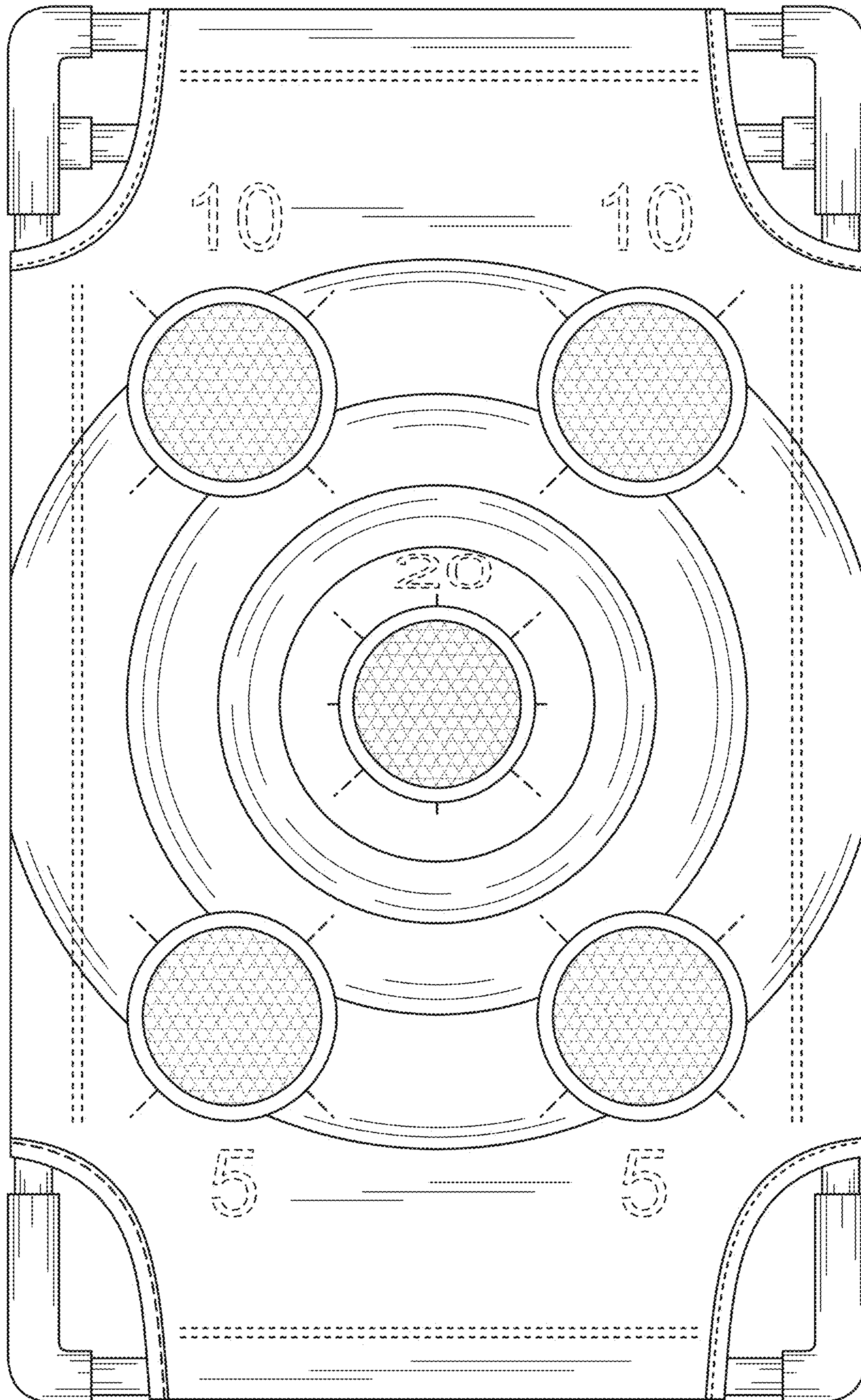


FIG. 2

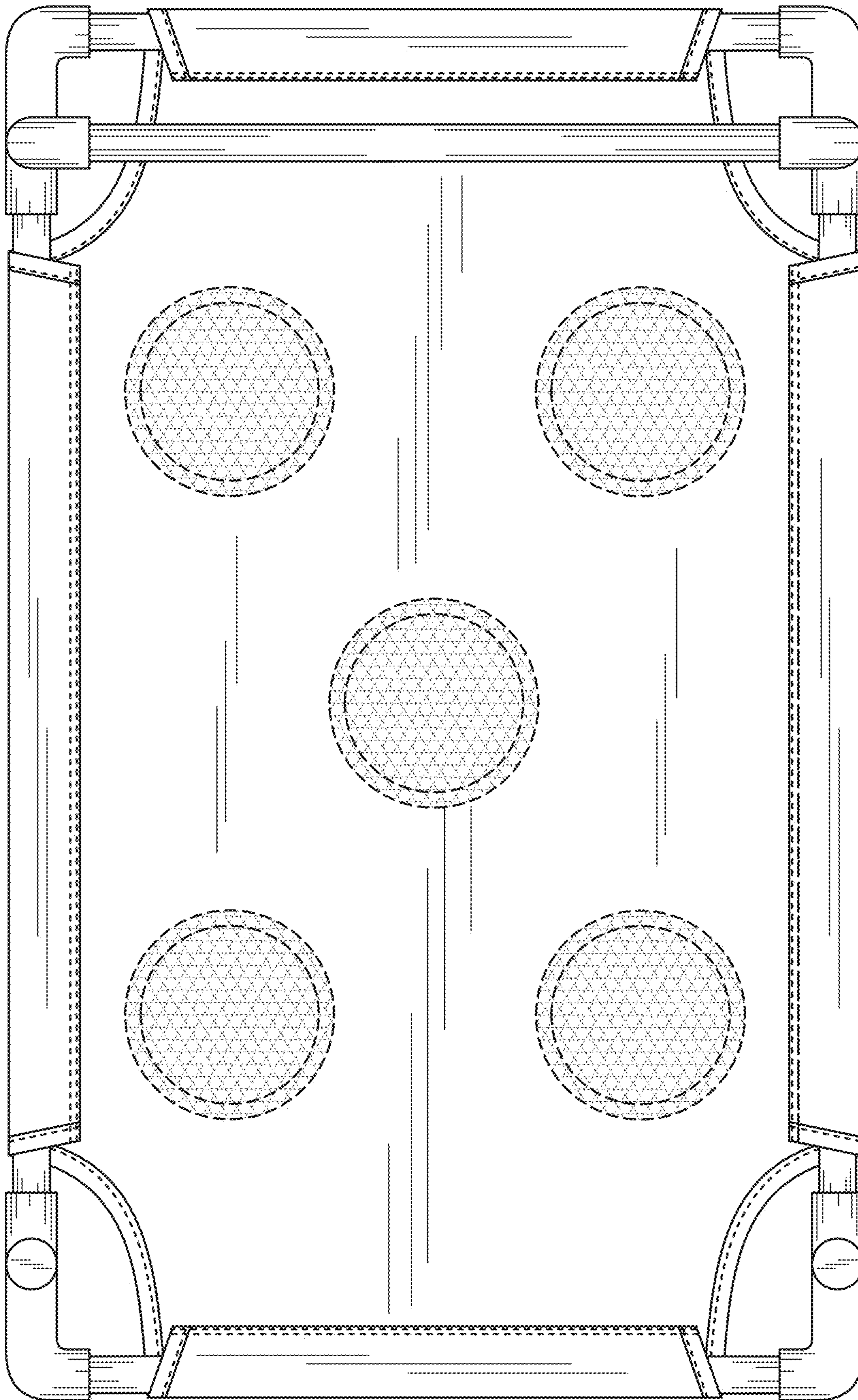


FIG. 3

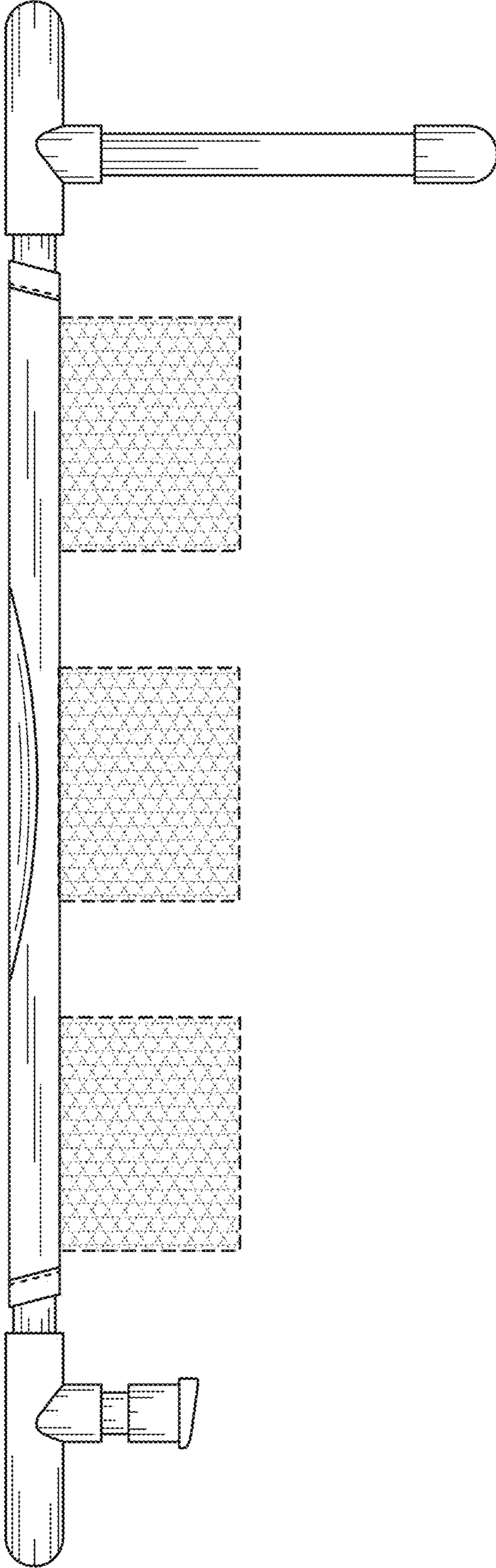


FIG. 4

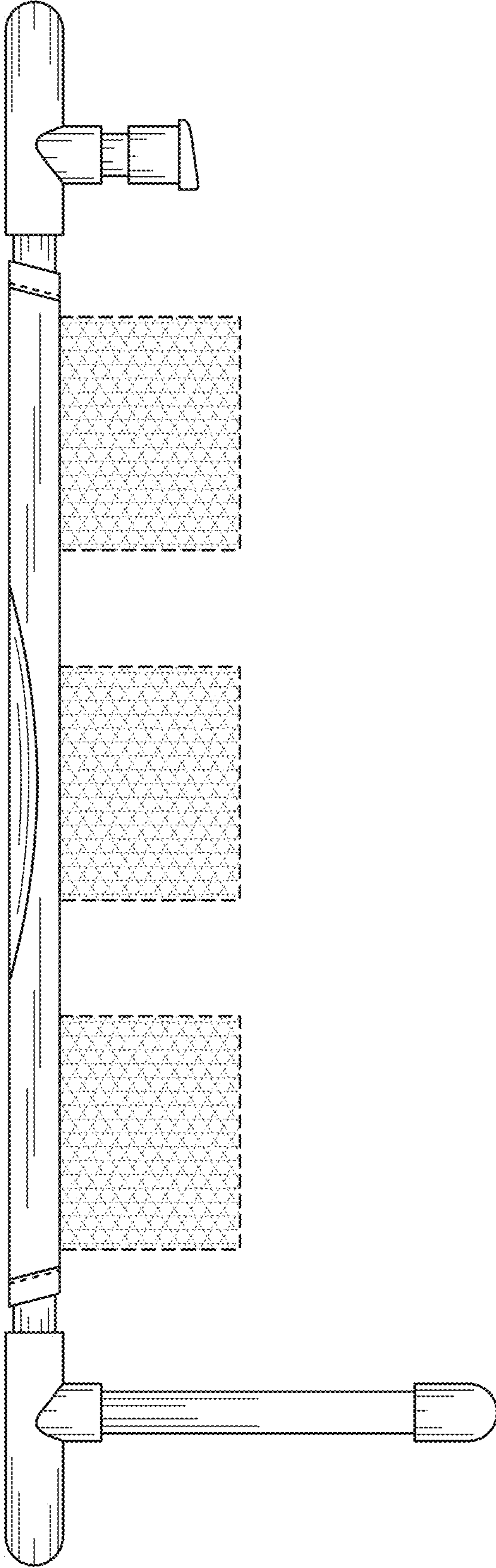


FIG. 5

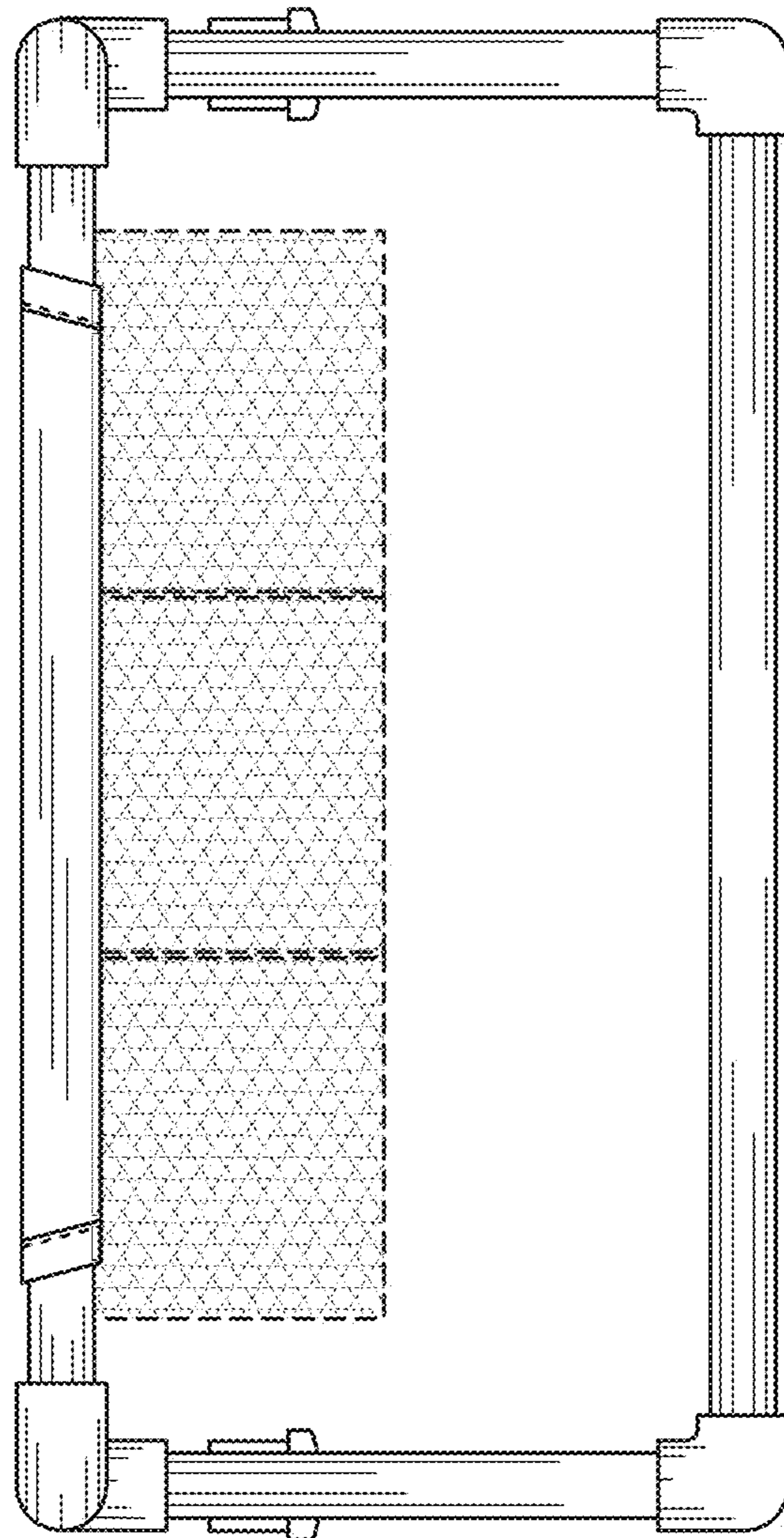


FIG. 6

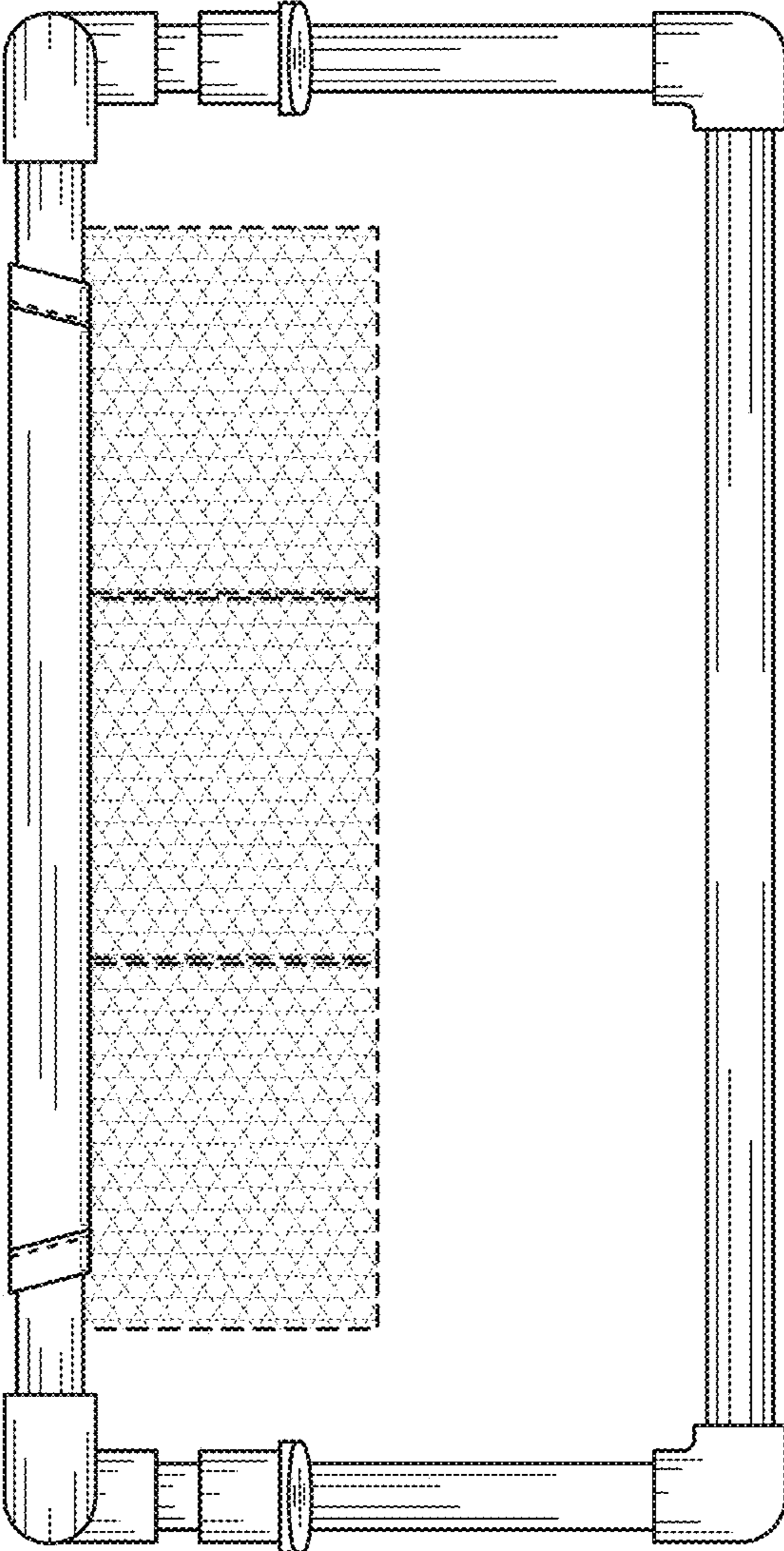


FIG. 7