



US00D877252S

(12) **United States Design Patent** (10) **Patent No.:** **US D877,252 S**
Chang (45) **Date of Patent:** **** Mar. 3, 2020**

(54) **COIN CHANGER**

(71) Applicant: **INTERNATIONAL CURRENCY TECHNOLOGIES CORPORATION,**
Taipei (TW)

(72) Inventor: **Chia-Min Chang,** Taipei (TW)

(73) Assignee: **International Currency Technologies Corporation,** Taipei (TW)

(**) Term: **15 Years**

(21) Appl. No.: **29/612,705**

(22) Filed: **Aug. 3, 2017**

(51) **LOC (12) Cl.** **20-01**

(52) **U.S. Cl.**
USPC **D20/9**

(58) **Field of Classification Search**
USPC D20/1-9; D15/79, 81, 89; D99/28
CPC G06Q 20/18; G07F 7/00; G07F 7/025;
G07F 7/08; G07F 7/12; G07F 11/00;
G07F 11/02; G07F 11/62; G07F 11/165;
G07F 7/069; G07F 17/00; G07F 17/40
See application file for complete search history.

(56) **References Cited**

U.S. PATENT DOCUMENTS

D292,008 S *	9/1987	Kobayashi	D20/9
D293,454 S *	12/1987	Kobayashi	D20/8
D320,814 S *	10/1991	Yukimoto	D20/9
D321,013 S *	10/1991	Yukimoto	D20/9
D329,256 S *	9/1992	Nakajima	D20/9
D331,781 S *	12/1992	Nishiumi	D20/9
D404,075 S *	1/1999	Hatamachi	D20/8
D523,468 S *	6/2006	Umeda	D18/3.1
D614,702 S *	4/2010	Tomiyoshi	D20/8
D623,694 S *	9/2010	Tomiyoshi	D20/8

10,093,475 B2 * 10/2018 Massey B65D 83/0852
2011/0301750 A1 * 12/2011 Xiao G06K 13/103
700/237
2018/0102014 A1 * 4/2018 Chang G07D 1/00

OTHER PUBLICATIONS

Coin Changer, posted at Ictgroup.com.tw, posted on Nov. 20, 2017, site visited Jun. 4, 2019. online, available from internet: https://web.archive.org/web/20171120061227/http://www.ictgroup.com.tw/pro_a.php?category=29 (Year: 2017).*

* cited by examiner

Primary Examiner — Mary Ann Calabrese

Assistant Examiner — Catherine Ho

(74) *Attorney, Agent, or Firm* — Muncy, Geissler, Olds & Lowe, P.C.

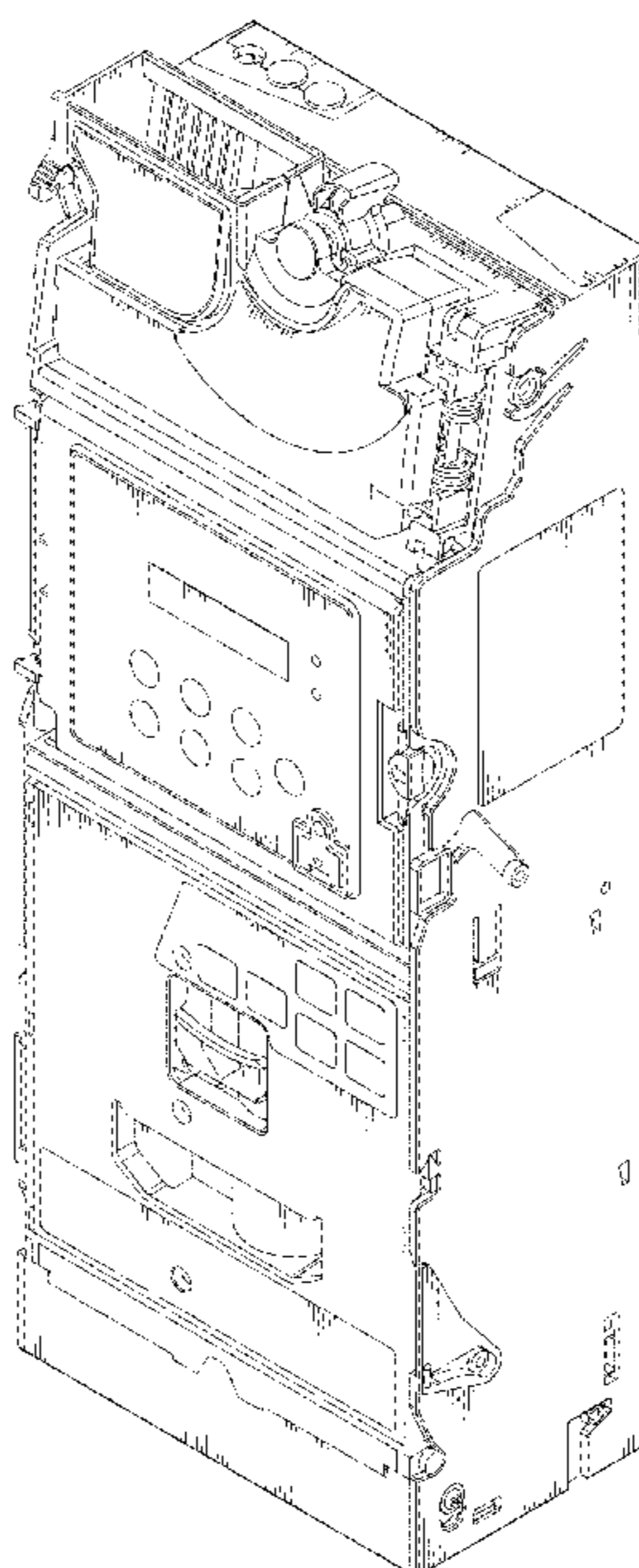
(57) **CLAIM**

I claim the ornamental design for a coin changer, as shown and described.

DESCRIPTION

FIG. 1 is a top front perspective view of a coin changer showing my new design;
FIG. 2 is a front view thereof;
FIG. 3 is a rear view thereof;
FIG. 4 is a left side view thereof;
FIG. 5 is a right side view thereof;
FIG. 6 is a top view thereof;
FIG. 7 is a bottom view thereof; and,
FIG. 8 is a top rear perspective view thereof.
The broken line portion of the figure drawings is included to show portions of the article that forms no part of the claimed design.

1 Claim, 8 Drawing Sheets



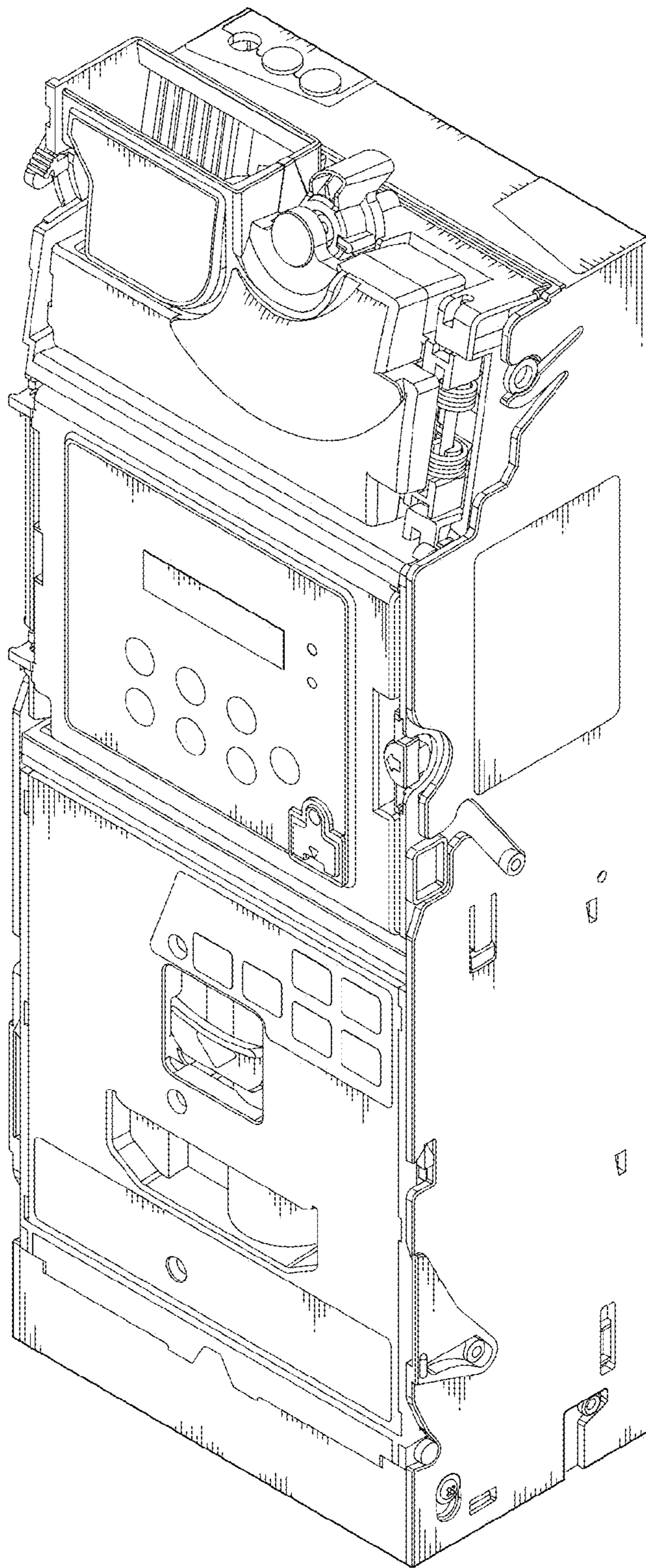


FIG. 1

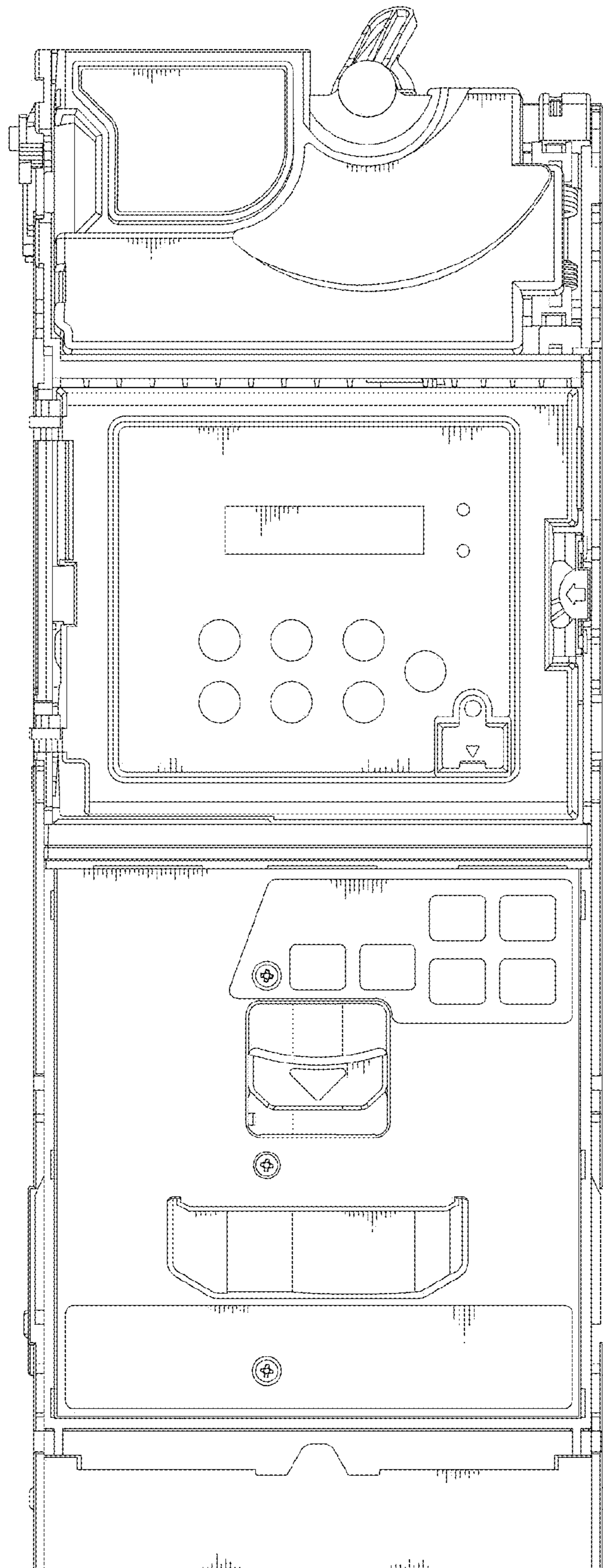


FIG. 2

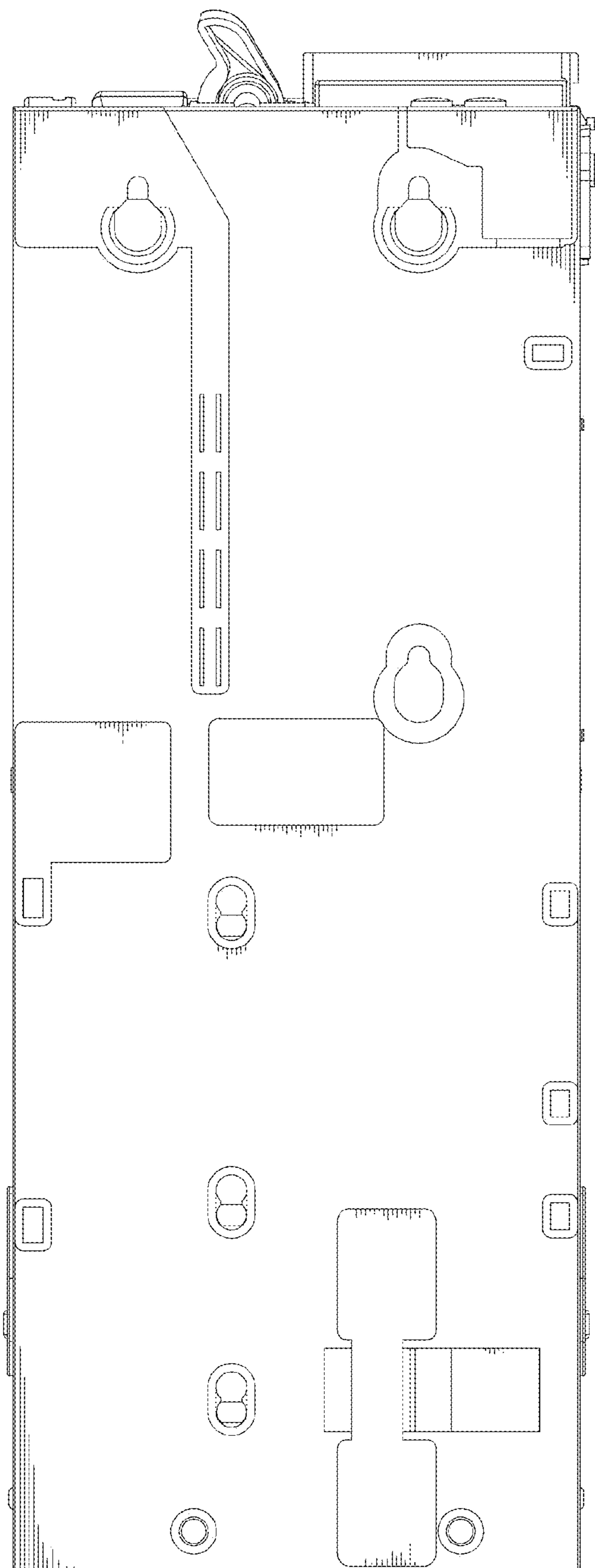


FIG. 3

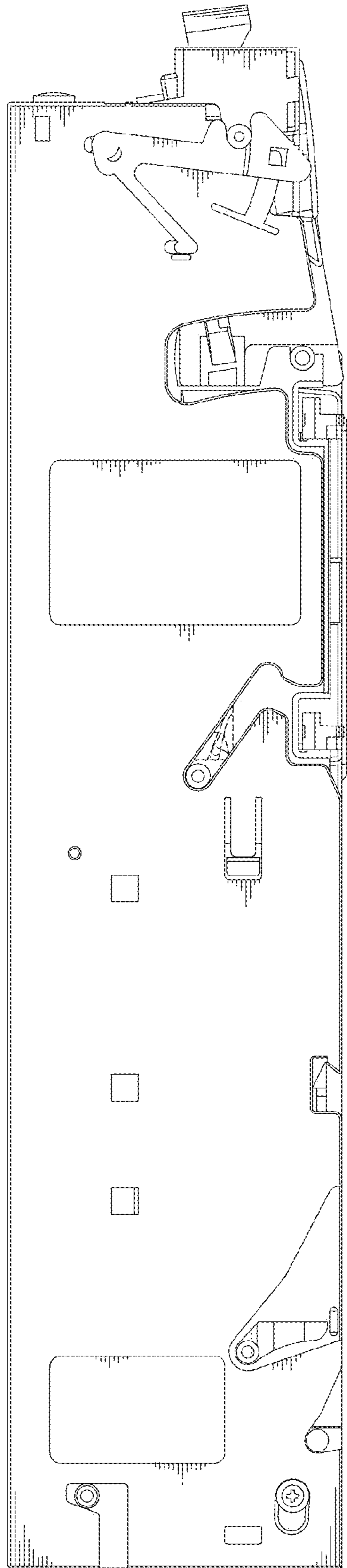


FIG. 4

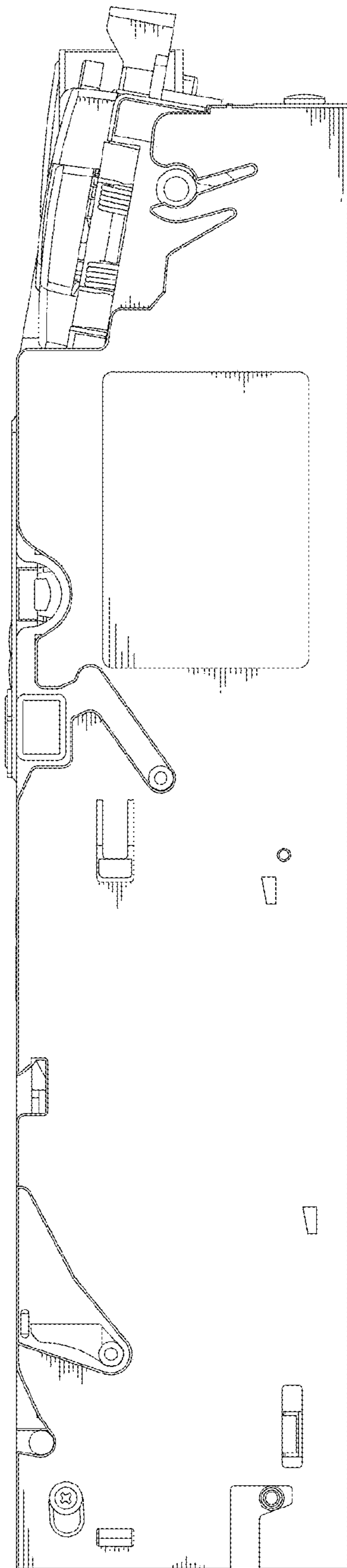


FIG. 5

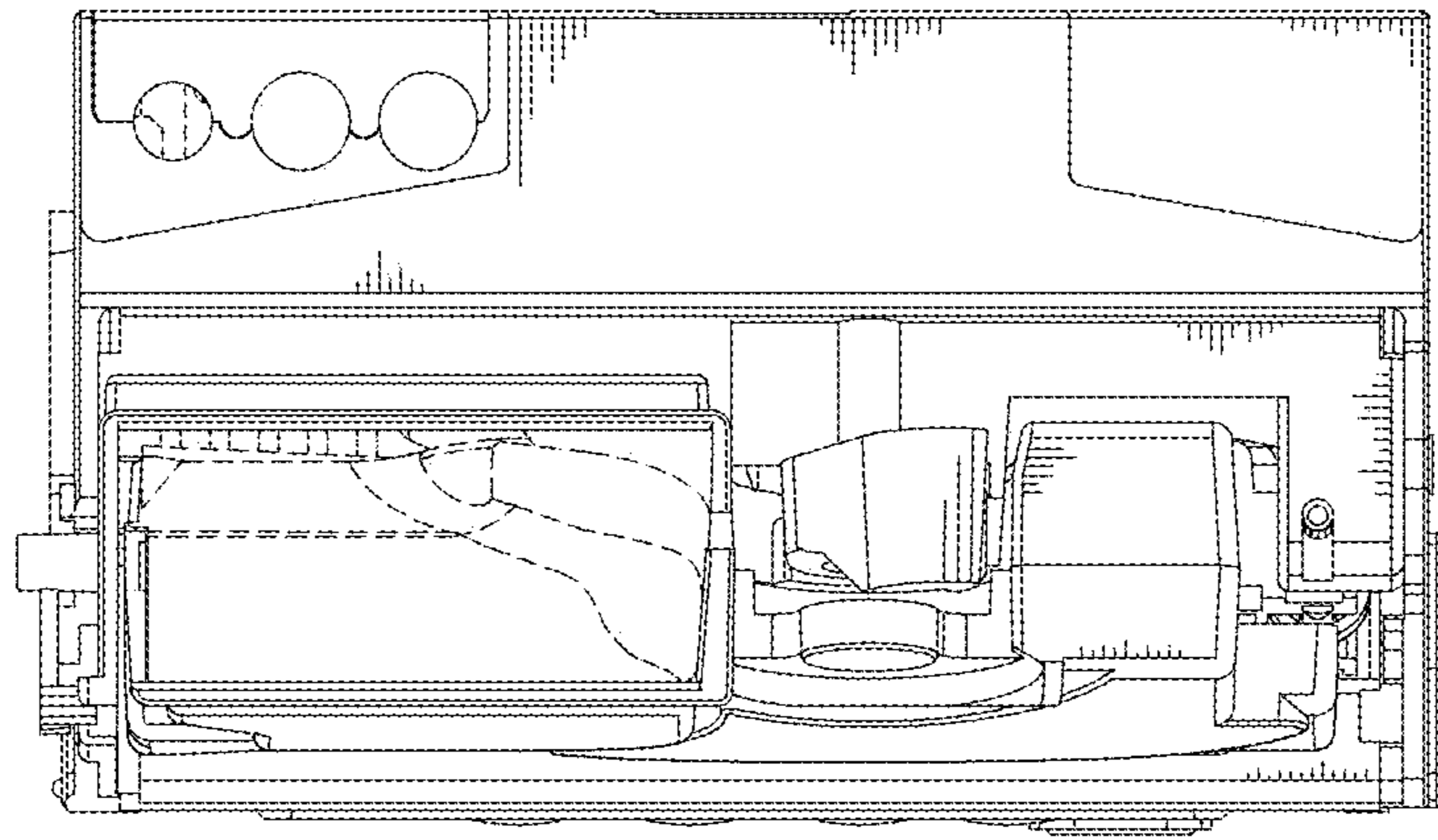


FIG. 6

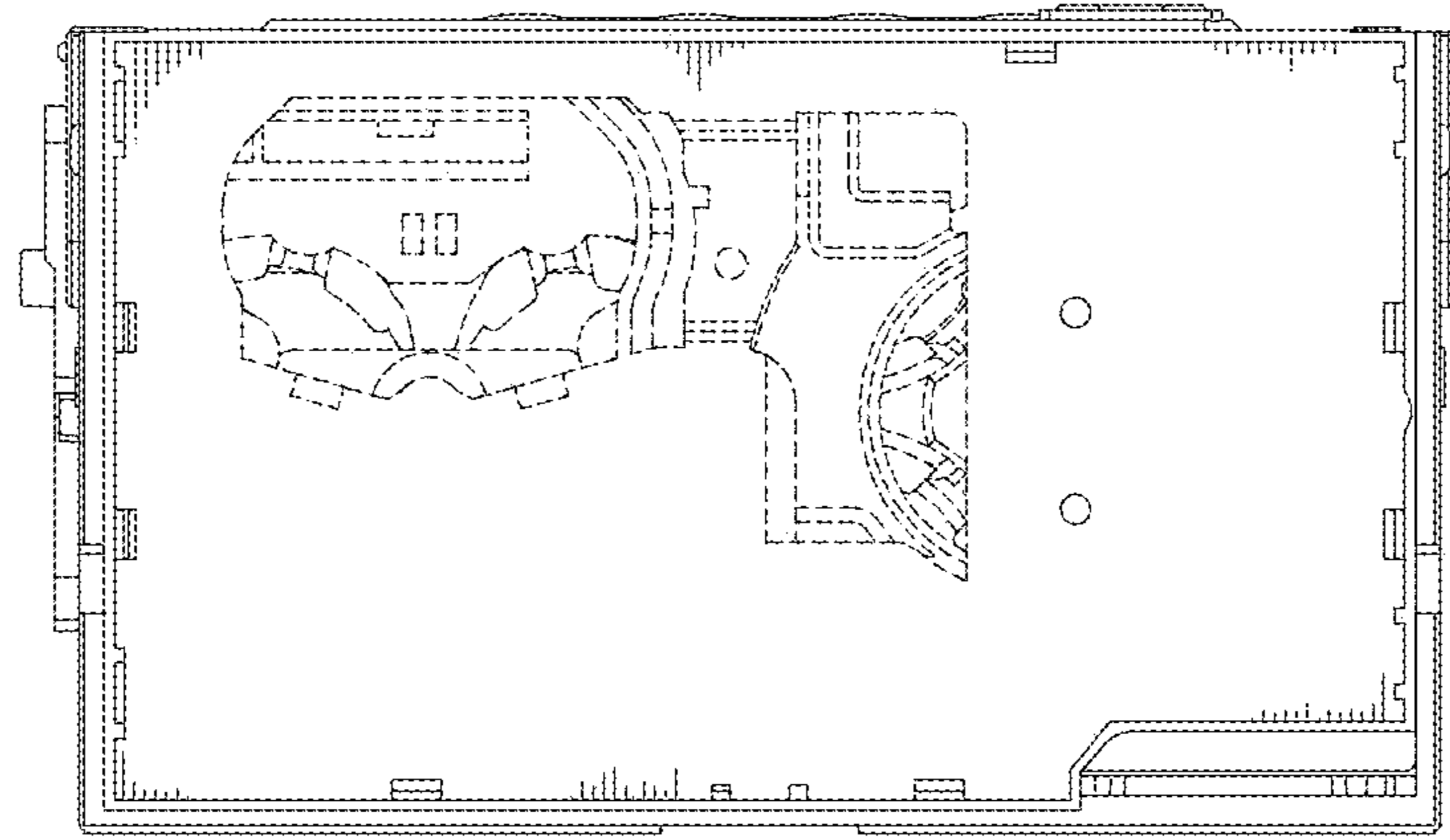


FIG. 7

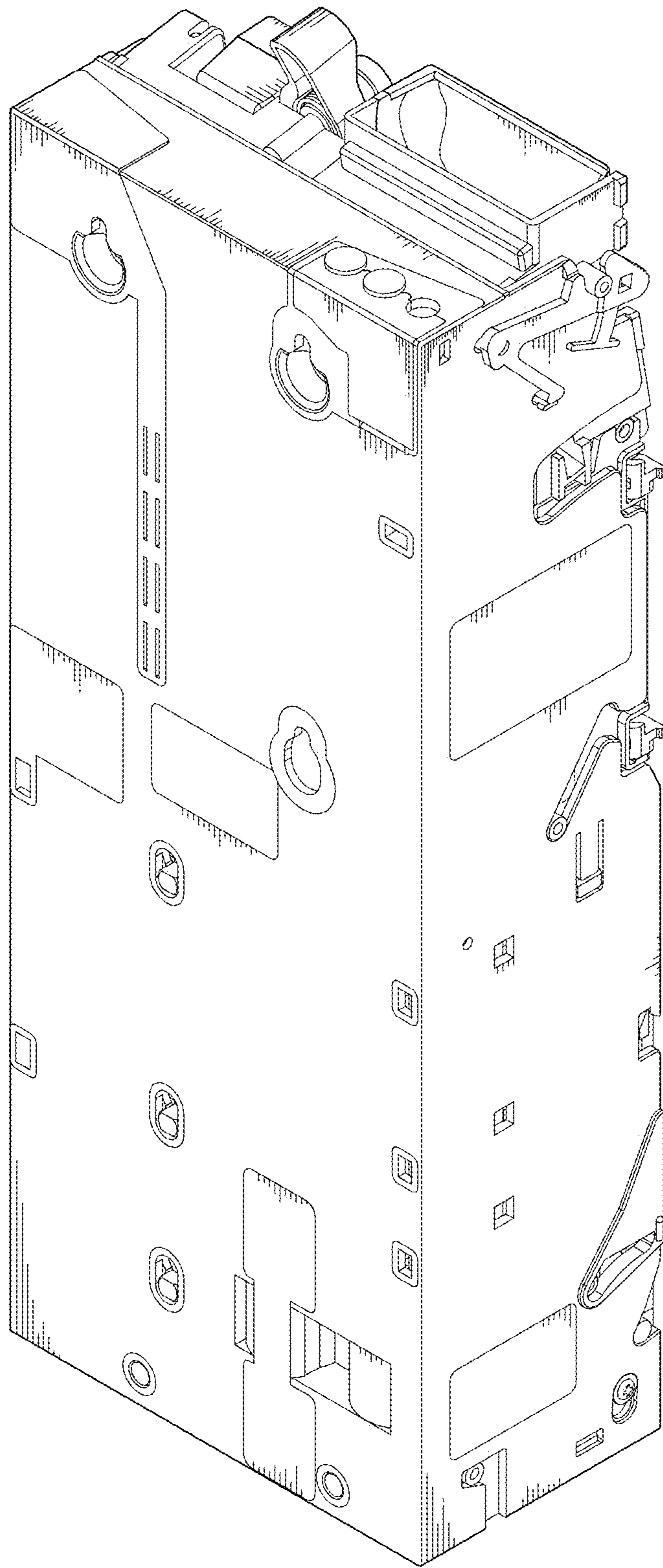


FIG. 8