



US00D877250S

(12) **United States Design Patent**  
**Iwao**

(10) **Patent No.:** **US D877,250 S**  
(45) **Date of Patent:** **\*\* Mar. 3, 2020**

- (54) **BALLPOINT PEN**
- (71) Applicant: **KABUSHIKI KAISHA PILOT CORPORATION**, Tokyo (JP)
- (72) Inventor: **Genki Iwao**, Tokyo (JP)
- (73) Assignee: **KABUSHIKI KAISHA PILOT CORPORATION**, Tokyo (JP)
- (\*\*) Term: **15 Years**
- (21) Appl. No.: **29/650,400**
- (22) Filed: **Jun. 6, 2018**
- (30) **Foreign Application Priority Data**  
Dec. 7, 2017 (JP) ..... 2017-027455
- (51) **LOC (12) Cl.** ..... **19-06**
- (52) **U.S. Cl.**  
USPC ..... **D19/171; D19/914; D19/916**
- (58) **Field of Classification Search**  
USPC ..... **D19/115-204; D14/411**  
CPC . **B43K 5/005; B43K 7/12; B43K 8/04; B43K 8/06; B43K 19/00; B43K 19/02; B43K 19/14; B43K 21/006; B43K 21/06**  
See application file for complete search history.

- (56) **References Cited**  
U.S. PATENT DOCUMENTS  
2,692,580 A \* 10/1954 Kahn ..... B43K 24/08  
401/105  
3,825,976 A \* 7/1974 Moore ..... B43K 25/02  
24/11 F  
D285,936 S \* 9/1986 Booker ..... D19/174  
D378,763 S \* 4/1997 Hollington ..... D19/174  
D471,590 S \* 3/2003 Lecce ..... D19/175

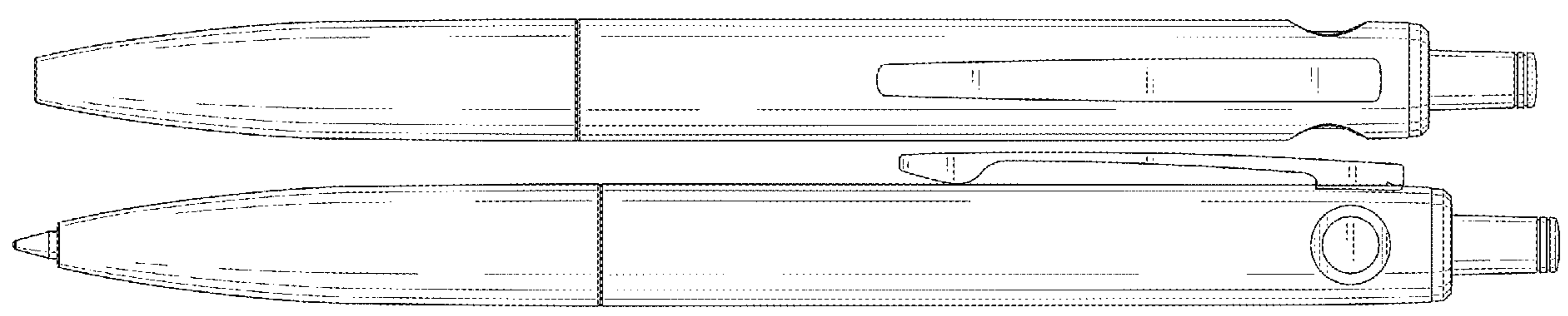
- D515,626 S \* 2/2006 Pellissa Beneyto ..... D19/172
- 7,168,105 B2 \* 1/2007 Adelman ..... B43K 5/005  
401/195
- D551,711 S \* 9/2007 Pellissa Beneyto ..... D19/175
- D565,654 S \* 4/2008 Siegel ..... D19/171
- D568,393 S \* 5/2008 Bhavnani ..... D19/173
- D583,413 S \* 12/2008 Li ..... D19/172
- D650,858 S \* 12/2011 Keda ..... D19/174
- D662,985 S \* 7/2012 Liu ..... D19/173
- D666,672 S \* 9/2012 Zhang ..... D19/173
- D690,360 S \* 9/2013 Jin ..... D19/173
- D694,328 S \* 11/2013 Mao ..... D19/170
- D694,329 S \* 11/2013 Hern ..... D19/201
- D698,864 S \* 2/2014 Watase ..... D19/164
- D730,987 S \* 6/2015 Schnug ..... D19/171
- D815,686 S \* 4/2018 Nakata ..... D19/172
- D853,489 S \* 7/2019 Nakata ..... D19/173
- D855,107 S \* 7/2019 Briggl ..... D19/171
- D862,593 S \* 10/2019 Morrison ..... D19/170

\* cited by examiner  
*Primary Examiner* — Elizabeth A. Albert  
(74) *Attorney, Agent, or Firm* — Sughrue Mion, PLLC

(57) **CLAIM**  
The ornamental design for a ballpoint pen, as shown and described.

**DESCRIPTION**  
FIG. 1 is a perspective view of a ballpoint pen showing my new design;  
FIG. 2 is a front view thereof, a rear view being a mirror image;  
FIG. 3 is a left side view thereof;  
FIG. 4 is a right side view thereof;  
FIG. 5 is a top view thereof;  
FIG. 6 is a bottom view thereof; and,  
FIG. 7 is a front view of usage thereof.

**1 Claim, 4 Drawing Sheets**



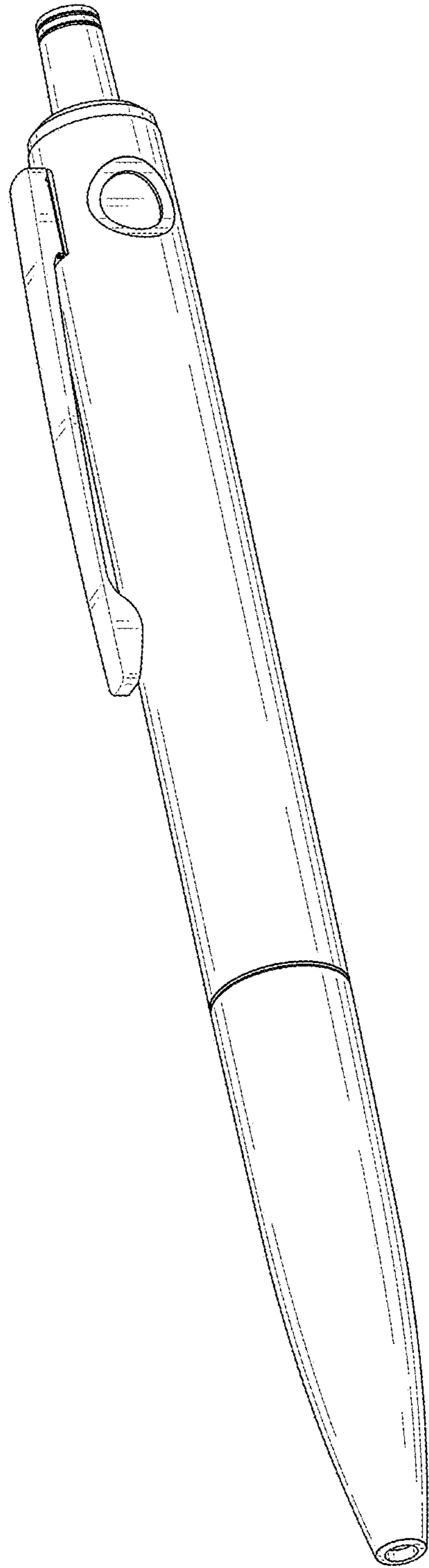


FIG. 1

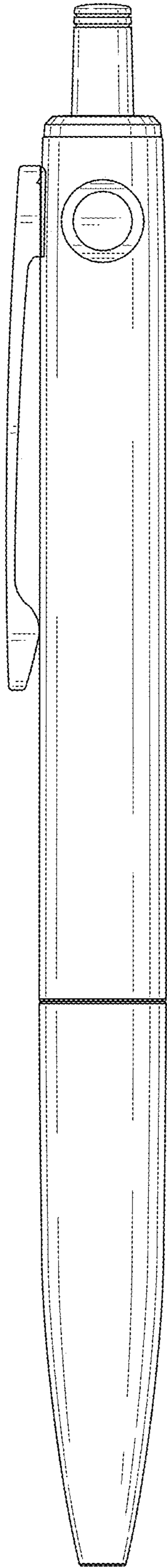


FIG. 2

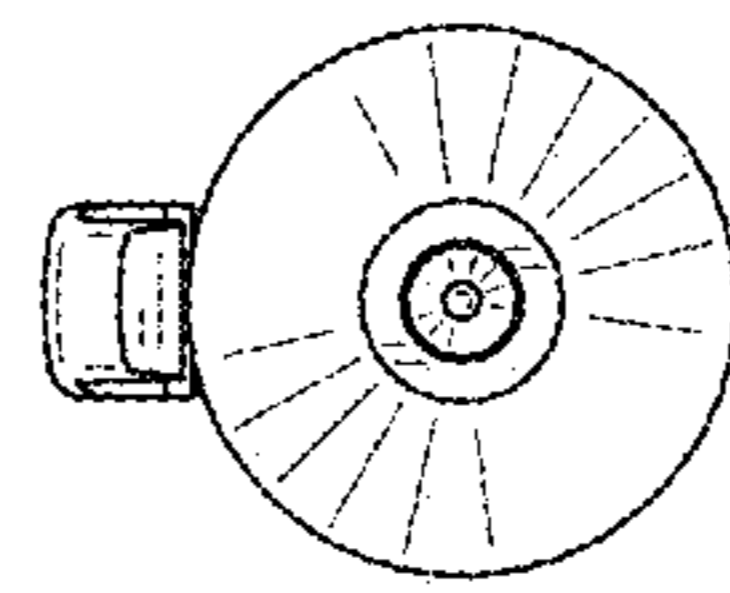


FIG. 3

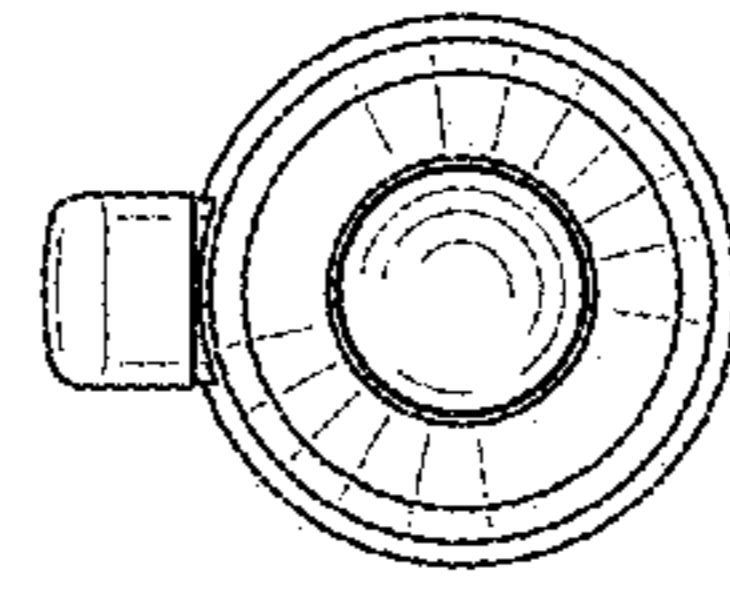


FIG. 4

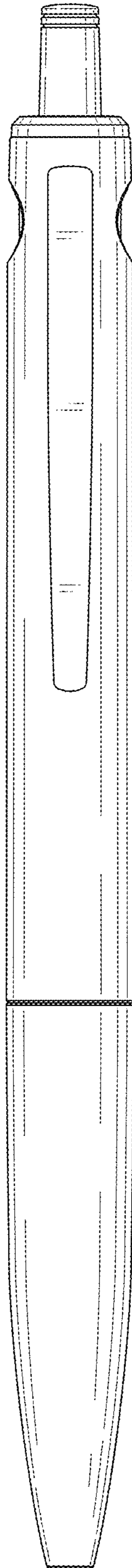


FIG. 5

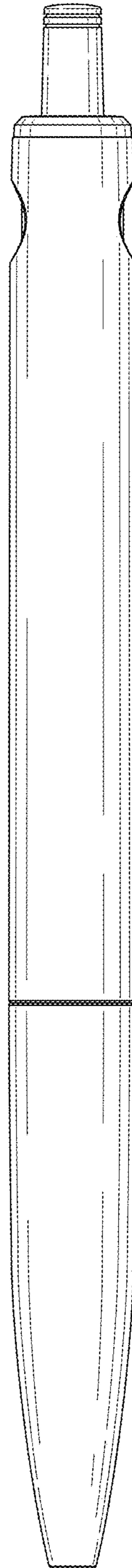


FIG. 6

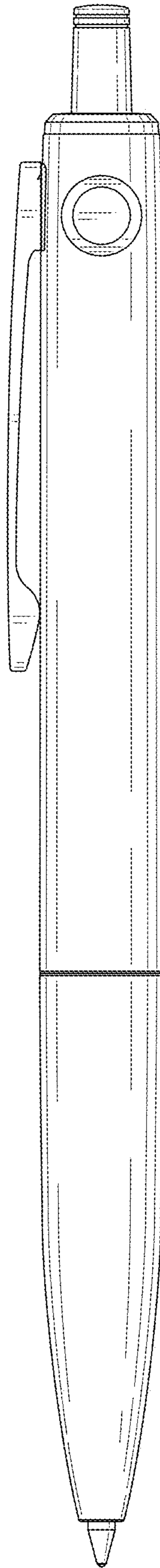


FIG. 7