



US00D877249S

(12) **United States Design Patent** (10) **Patent No.:** **US D877,249 S**
Costas (45) **Date of Patent:** **** Mar. 3, 2020**

(54) **DRY ERASE BOARD WITH NOTE HOLDER**

(71) Applicant: **Trophius Pty Ltd.**, Cremorne (AU)

(72) Inventor: **Eric Costas**, Cremorne (AU)

(73) Assignee: **Trophius Pty Ltd.**, Cremorne (AU)

(**) Term: **15 Years**

(21) Appl. No.: **29/656,046**

(22) Filed: **Jul. 10, 2018**

Related U.S. Application Data

(62) Division of application No. 29/584,481, filed on Nov. 15, 2016.

(51) **LOC (12) Cl.** **19-06**

(52) **U.S. Cl.**
USPC **D19/113**

(58) **Field of Classification Search**
USPC D19/62, 65, 88, 91, 113, 115; D20/10,
D20/27, 39, 43, 44

CPC ... B42D 5/005; B43L 5/02; B42F 9/00; B42F
9/001

See application file for complete search history.

(56) **References Cited**

U.S. PATENT DOCUMENTS

- 3,363,341 A 1/1968 Glassman
- D244,017 S 4/1977 Bott
- D251,124 S 2/1979 Takeuchi
- D327,095 S 6/1992 Meyer
- 5,176,522 A 1/1993 Robertson, Jr.
- 5,397,091 A 3/1995 Tsuar
- D413,146 S 8/1999 Moore
- D435,593 S 12/2000 Hellwig et al.
- D451,134 S 11/2001 Fonfeder
- D487,289 S 3/2004 Richter
- D496,068 S 9/2004 Mandel
- D507,302 S 7/2005 Chen et al.
- D507,812 S 7/2005 Cesaroni et al.

- D521,068 S 5/2006 Newbould
- 7,040,051 B2 5/2006 Windorski
- D586,396 S 2/2009 Kang
- D589,089 S 3/2009 Loerakker et al.
- D589,560 S 3/2009 Beno et al.
- D593,156 S 5/2009 Vasconcelos
- D594,062 S 6/2009 Loerakker

(Continued)

FOREIGN PATENT DOCUMENTS

- AU 346443 1/2013
- AU 346543 1/2013

OTHER PUBLICATIONS

U.S. Appl. No. 29/584,481, filed Nov. 15, 2016.

(Continued)

Primary Examiner — Derrick E Holland

Assistant Examiner — Andrew Kerr

(74) *Attorney, Agent, or Firm* — Banner & Witcoff, Ltd.

(57) **CLAIM**

The ornamental design for a dry erase board with note holder, as shown and described.

DESCRIPTION

FIG. 1 is a front perspective view of a dry erase board with note holder showing my new design;

FIG. 2 is a front view thereof;

FIG. 3 is a bottom view thereof;

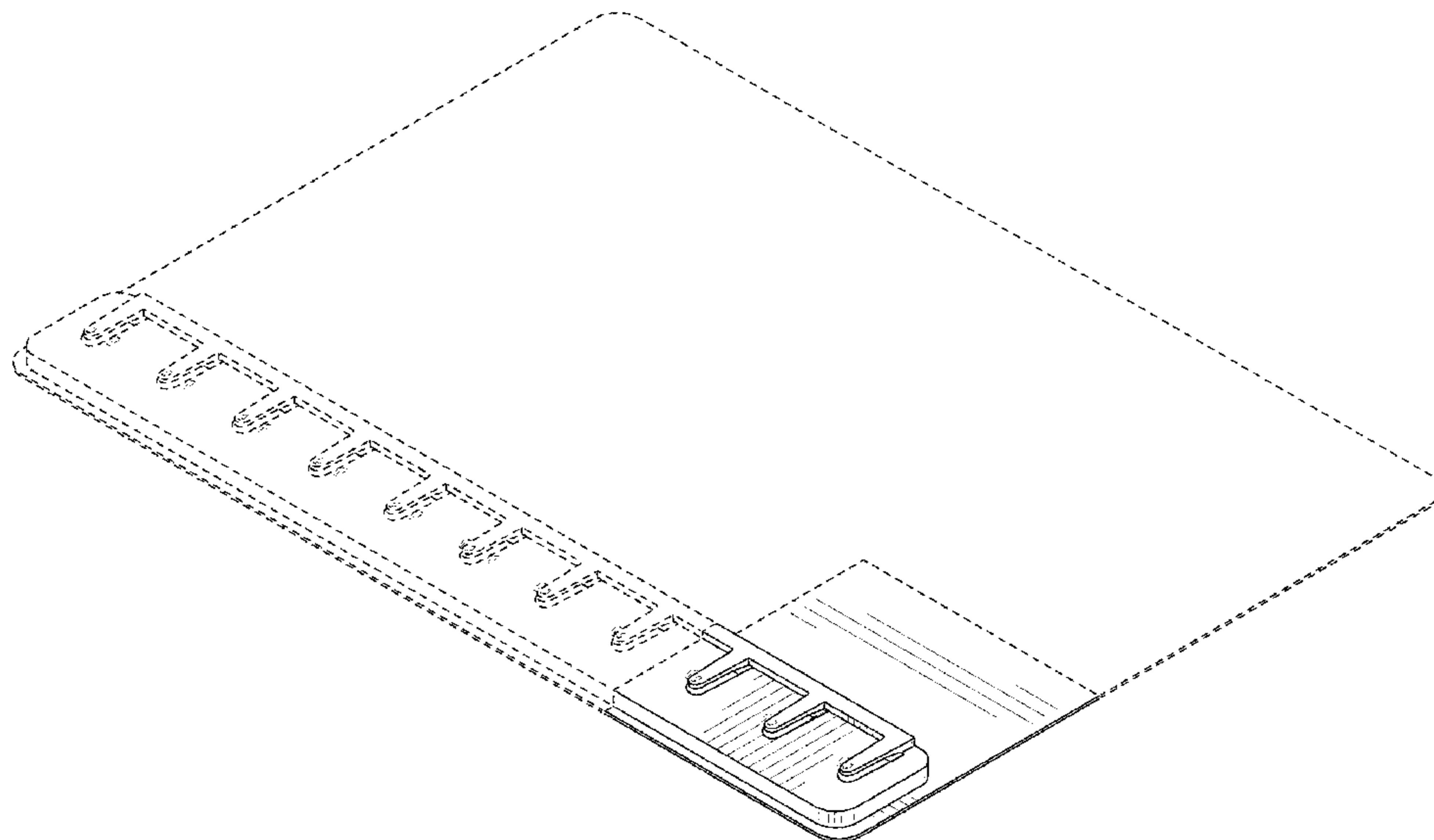
FIG. 4 is a top view thereof;

FIG. 5 is a right side view thereof; and,

FIG. 6 is a left side view thereof.

The broken lines immediately adjacent to the shaded areas of the dry erase board with note holder define the bounds of the claimed design and form no part thereof. All other broken lines represent environmental structure and form no part of the claimed design.

1 Claim, 4 Drawing Sheets



(56)

References Cited

U.S. PATENT DOCUMENTS

D607,058 S 12/2009 Kim
 D617,565 S 6/2010 Mischel, Jr.
 D623,227 S 9/2010 Hoch et al.
 D623,693 S 9/2010 Hoch et al.
 D629,043 S 12/2010 Beno et al.
 7,874,842 B2 1/2011 Beno
 D645,515 S 9/2011 Williams, Sr.
 D667,413 S 9/2012 Song
 D669,532 S 10/2012 Killian
 D669,533 S * 10/2012 Okabe D19/113
 D672,817 S 12/2012 Butmir et al.
 D683,403 S 5/2013 Vasconcelos
 D690,361 S 9/2013 Kang
 D705,356 S 5/2014 Kang
 D715,859 S 10/2014 Costas
 D715,860 S 10/2014 Costas
 D715,861 S 10/2014 Costas
 D716,377 S 10/2014 Costas
 D719,217 S 12/2014 Costas
 D719,218 S 12/2014 Costas
 D724,666 S * 3/2015 Paulick D19/88
 9,090,116 B2 7/2015 Tunis et al.
 D747,412 S 1/2016 Sachs
 D752,145 S 3/2016 Killian
 D753,222 S 4/2016 Costas
 D755,892 S 5/2016 Costas
 D776,759 S 1/2017 Costas
 D777,254 S * 1/2017 Condren D19/65
 D778,356 S 2/2017 Costas
 D782,233 S * 3/2017 Jackson D6/706

D784,746 S * 4/2017 Jackson D6/706
 D784,747 S * 4/2017 Jackson D6/706
 D785,706 S 5/2017 Hoch et al.
 D787,593 S 5/2017 Robins
 D792,518 S * 7/2017 Sachs D19/113
 D794,121 S 8/2017 Costas
 D794,122 S 8/2017 Costas
 D794,123 S 8/2017 Costas
 D794,124 S 8/2017 Costas
 D794,125 S 8/2017 Costas
 D809,599 S 2/2018 Costas
 D809,600 S 2/2018 Anderson
 D811,478 S 2/2018 Costas
 D818,357 S 5/2018 Cummings
 D836,720 S 12/2018 Kang
 D854,084 S * 7/2019 Condren D19/65
 D855,612 S * 8/2019 Lim D14/374
 2005/0191611 A1 9/2005 Owen et al.
 2006/0049125 A1 * 3/2006 Stowell A47B 57/583
 211/184
 2012/0206344 A1 8/2012 Hill et al.
 2012/0250936 A1 10/2012 Holmgren
 2013/0200228 A1 8/2013 Costas

OTHER PUBLICATIONS

“Office Depot Brand 4-Piece Stainless Steel Magnet Hook Set, Assorted Shapes (No Shape Choice)”; Office Depot; disclosure date unknown but prior to date of filing present application; URL: <<http://www.officedepot.com/a/products/352108/Office-Depot-Brand-4-Piece-Stainless/>>.

* cited by examiner

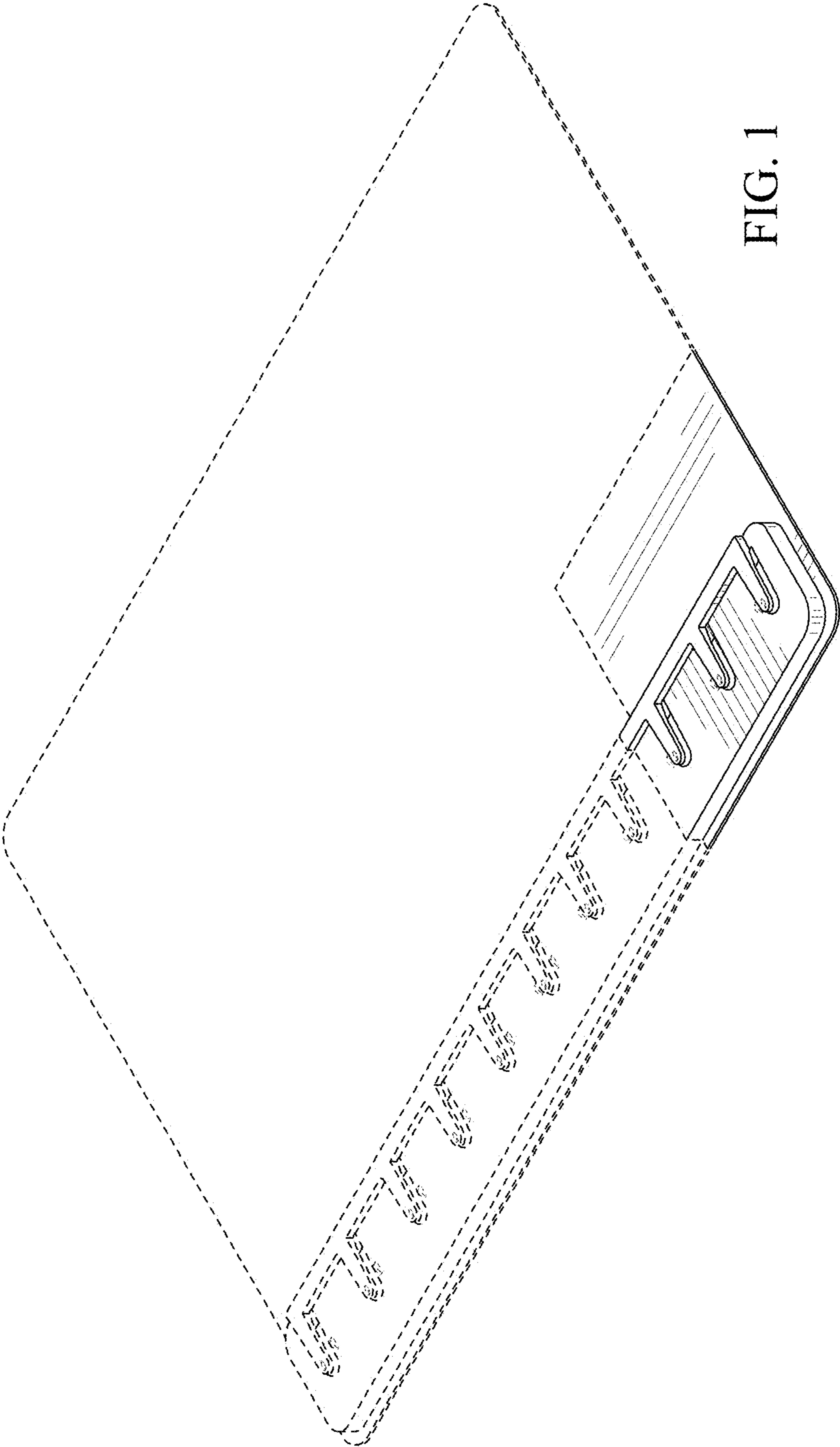


FIG. 1

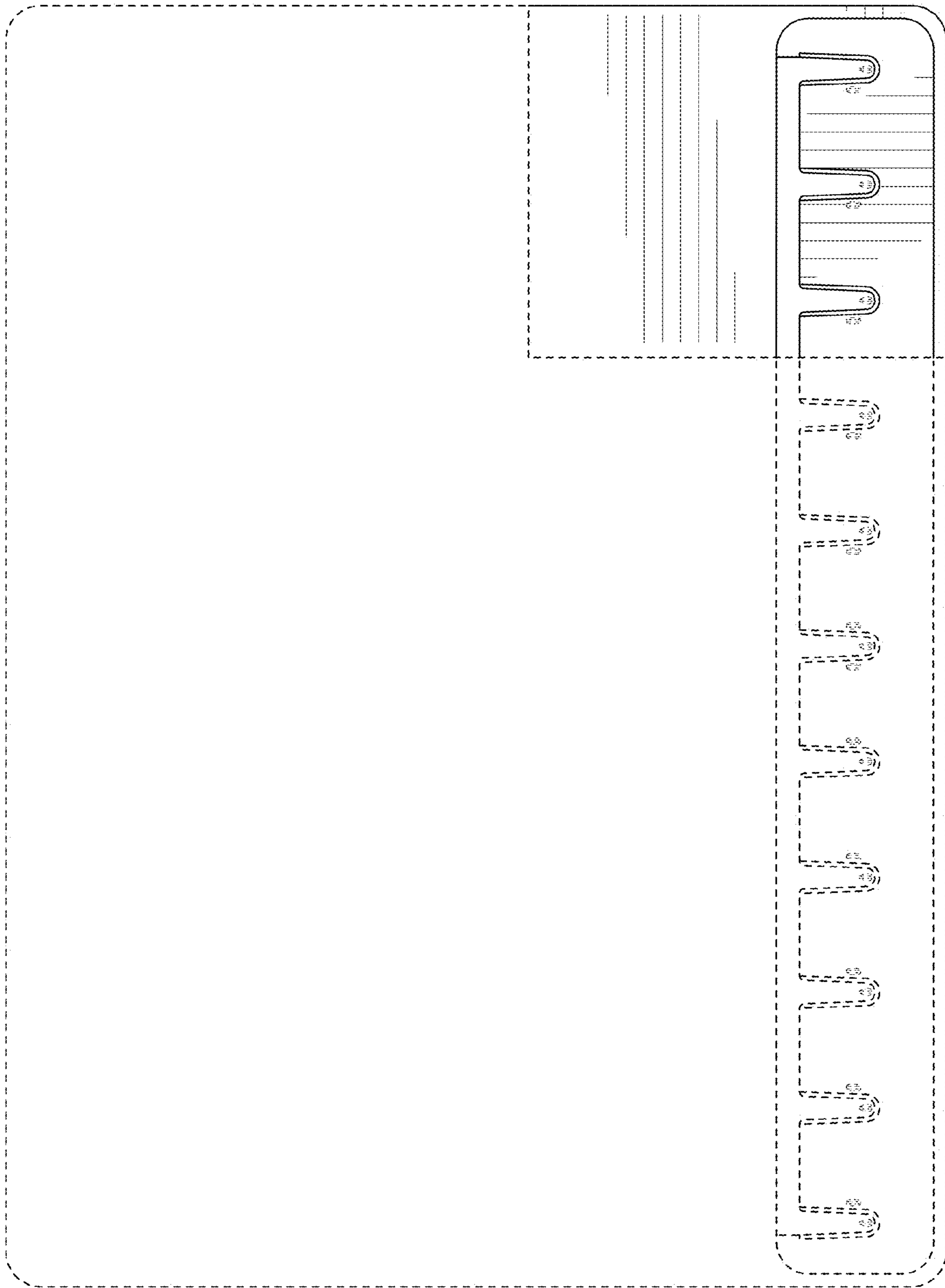


FIG. 2

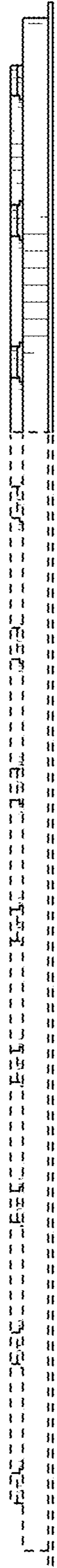


FIG. 3



FIG. 4



FIG. 6



FIG. 5