



US00D877247S

(12) **United States Design Patent** (10) **Patent No.:** **US D877,247 S**
Costas (45) **Date of Patent:** **** Mar. 3, 2020**

(54) **DRY ERASE BOARD WITH NOTE HOLDER**

7,040,051 B2 5/2006 Windorski
D586,396 S 2/2009 Kang
D589,089 S 3/2009 Loerakker et al.
(Continued)

(71) Applicant: **Trophius Pty Ltd.**, Cremorne (AU)

(72) Inventor: **Eric Costas**, Cremorne (AU)

(73) Assignee: **Trophius Pty Ltd.**, Cremorne (AU)

(**) Term: **15 Years**

(21) Appl. No.: **29/656,040**

(22) Filed: **Jul. 10, 2018**

Related U.S. Application Data

(62) Division of application No. 29/584,481, filed on Nov. 15, 2016.

(51) **LOC (12) Cl.** **19-06**

(52) **U.S. Cl.**
USPC **D19/113**

(58) **Field of Classification Search**
USPC D19/62, 65, 88, 91, 113, 115; D20/10,
D20/27, 39, 43, 44
CPC ... B42D 5/005; B43L 5/02; B42F 9/00; B42F
9/001
See application file for complete search history.

(56) **References Cited**

U.S. PATENT DOCUMENTS

3,363,341 A	1/1968	Glassman
D244,017 S	4/1977	Bolt
D251,124 S	2/1979	Takeuchi
D327,095 S	6/1992	Meyer
5,176,522 A	1/1993	Robertson, Jr.
5,397,091 A	3/1995	Tsuar
D413,146 S	8/1999	Moore
D435,593 S	12/2000	Hellwig et al.
D451,134 S	11/2001	Fonfeder
D487,289 S	3/2004	Richter
D496,068 S	9/2004	Mandel
D507,302 S	7/2005	Chen et al.
D507,812 S	7/2005	Cesaroni et al.
D521,068 S	5/2006	Newbould

FOREIGN PATENT DOCUMENTS

AU	346443	1/2013
AU	346543	1/2013

OTHER PUBLICATIONS

“Office Depot Brand 4-Piece Stainless Steel Magnet Hook Set, Assorted Shapes (No Shape Choice)”; Office Depot; disclosure date unknown but prior to date of filing present application; URL: <<http://www.officedepot.com/a/products/352108/Office-Depot-Brand-4-Piece-Stainless/>>.

Primary Examiner — Derrick E Holland

Assistant Examiner — Andrew Kerr

(74) *Attorney, Agent, or Firm* — Banner & Witcoff, Ltd.

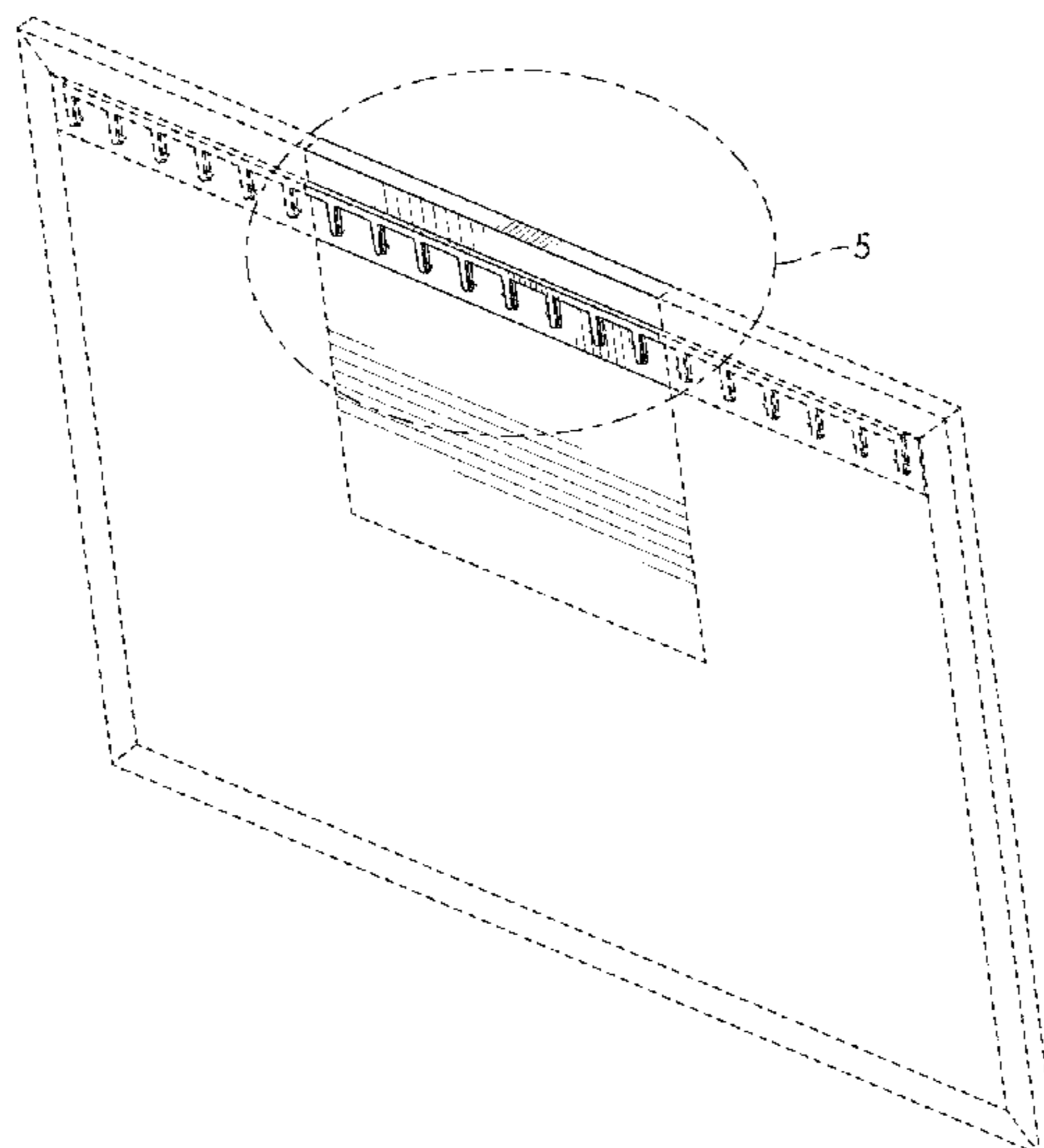
(57) **CLAIM**

The ornamental design for a dry erase board with note holder, as shown and described.

DESCRIPTION

FIG. 1 is a front perspective view of a dry erase board with note holder showing my new design;
FIG. 2 is a front view thereof;
FIG. 3 is a bottom view thereof;
FIG. 4 is a top view thereof;
FIG. 5 is an enlarged fragmental front perspective view of FIG. 1; and,
FIG. 6 is an enlarged fragmental front view of FIG. 2.
The broken lines immediately adjacent to the shaded areas of the dry erase board with note holder define the bounds of the claimed design and form no part thereof. All other broken lines represent environmental structure and form no part of the claimed design.

1 Claim, 5 Drawing Sheets



(56)

References Cited

U.S. PATENT DOCUMENTS

D589,560 S	3/2009	Beno et al.	D753,222 S	4/2016	Costas
D593,156 S	5/2009	Vasconcelos	D755,892 S	5/2016	Costas
D594,062 S	6/2009	Loerakker	D776,759 S	1/2017	Costas
D607,058 S	12/2009	Kim	D777,254 S *	1/2017	Condren D19/65
D617,565 S	6/2010	Mischel, Jr.	D778,356 S	2/2017	Costas
D623,227 S	9/2010	Hoch et al.	D782,233 S *	3/2017	Jackson D6/706
D623,693 S	9/2010	Hoch et al.	D784,746 S *	4/2017	Jackson D6/706
D629,043 S	12/2010	Beno et al.	D784,747 S *	4/2017	Jackson D6/706
7,874,842 B2	1/2011	Beno	D785,706 S	5/2017	Hoch et al.
D645,515 S	9/2011	Williams, Sr.	D787,593 S	5/2017	Robins
D667,413 S	9/2012	Song	D792,518 S *	7/2017	Sachs D19/113
D669,532 S	10/2012	Killian	D794,121 S	8/2017	Costas
D669,533 S *	10/2012	Okabe D19/113	D794,122 S	8/2017	Costas
D672,817 S	12/2012	Butmir et al.	D794,123 S	8/2017	Costas
D683,403 S	5/2013	Vasconcelos	D794,124 S	8/2017	Costas
D690,361 S	9/2013	Kang	D794,125 S	8/2017	Costas
D705,356 S	5/2014	Kang	D809,599 S	2/2018	Costas
D715,859 S	10/2014	Costas	D809,600 S	2/2018	Anderson
D715,860 S	10/2014	Costas	D811,478 S	2/2018	Costas
D715,861 S	10/2014	Costas	D818,357 S	5/2018	Cummings
D716,377 S	10/2014	Costas	D836,720 S	12/2018	Kang
D719,217 S	12/2014	Costas	D854,084 S *	7/2019	Condren D19/65
D719,218 S	12/2014	Costas	D855,612 S *	8/2019	Lim D14/374
D724,666 S *	3/2015	Paulick D19/88	2005/0191611 A1	9/2005	Owen et al.
9,090,116 B2	7/2015	Tunis et al.	2006/0049125 A1 *	3/2006	Stowell A47B 57/583 211/184
D747,412 S	1/2016	Sachs	2012/0206344 A1	8/2012	Hill et al.
D752,145 S	3/2016	Killian	2012/0250936 A1	10/2012	Holmgren
			2013/0200228 A1	8/2013	Costas

* cited by examiner

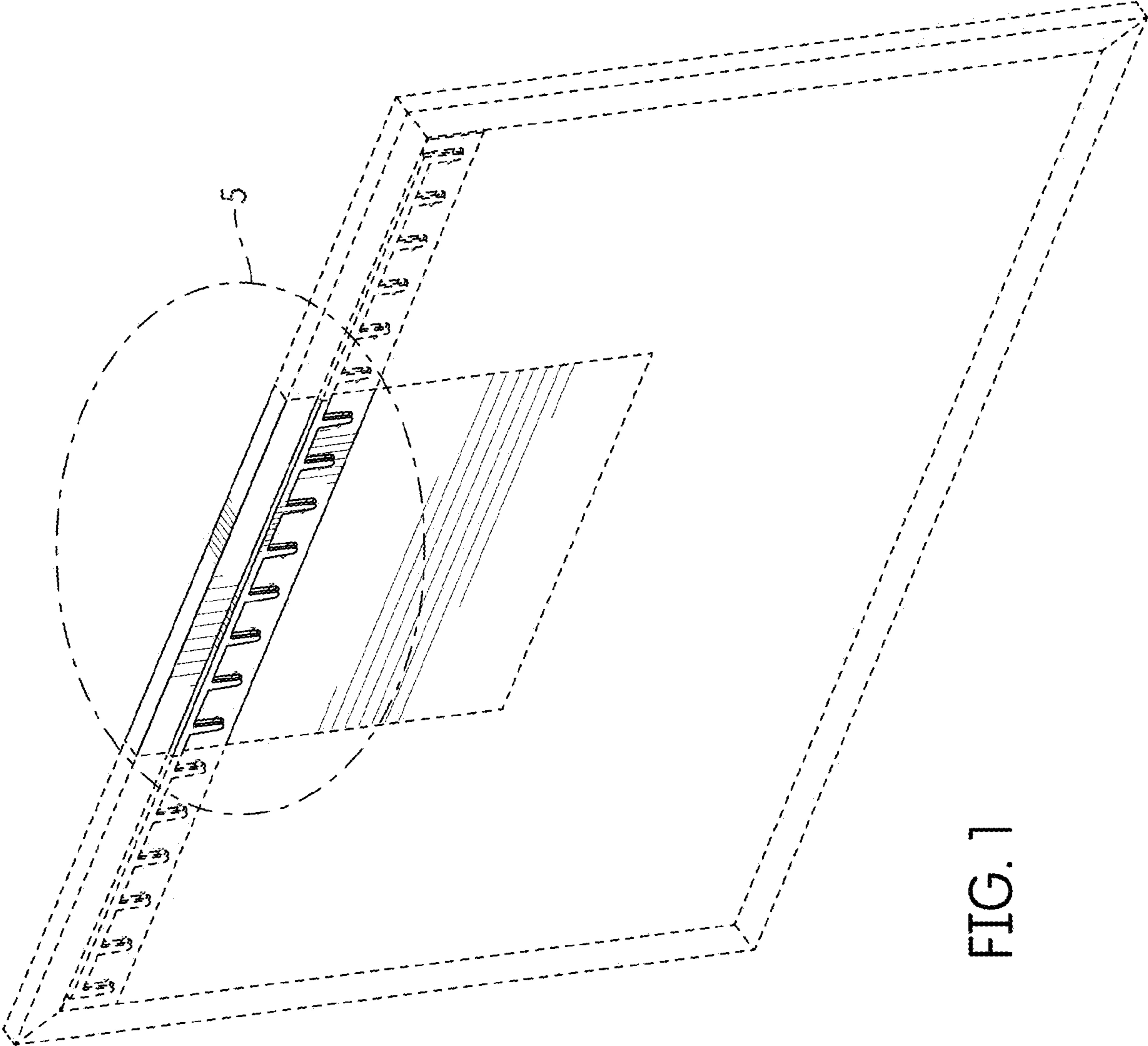


FIG. 1

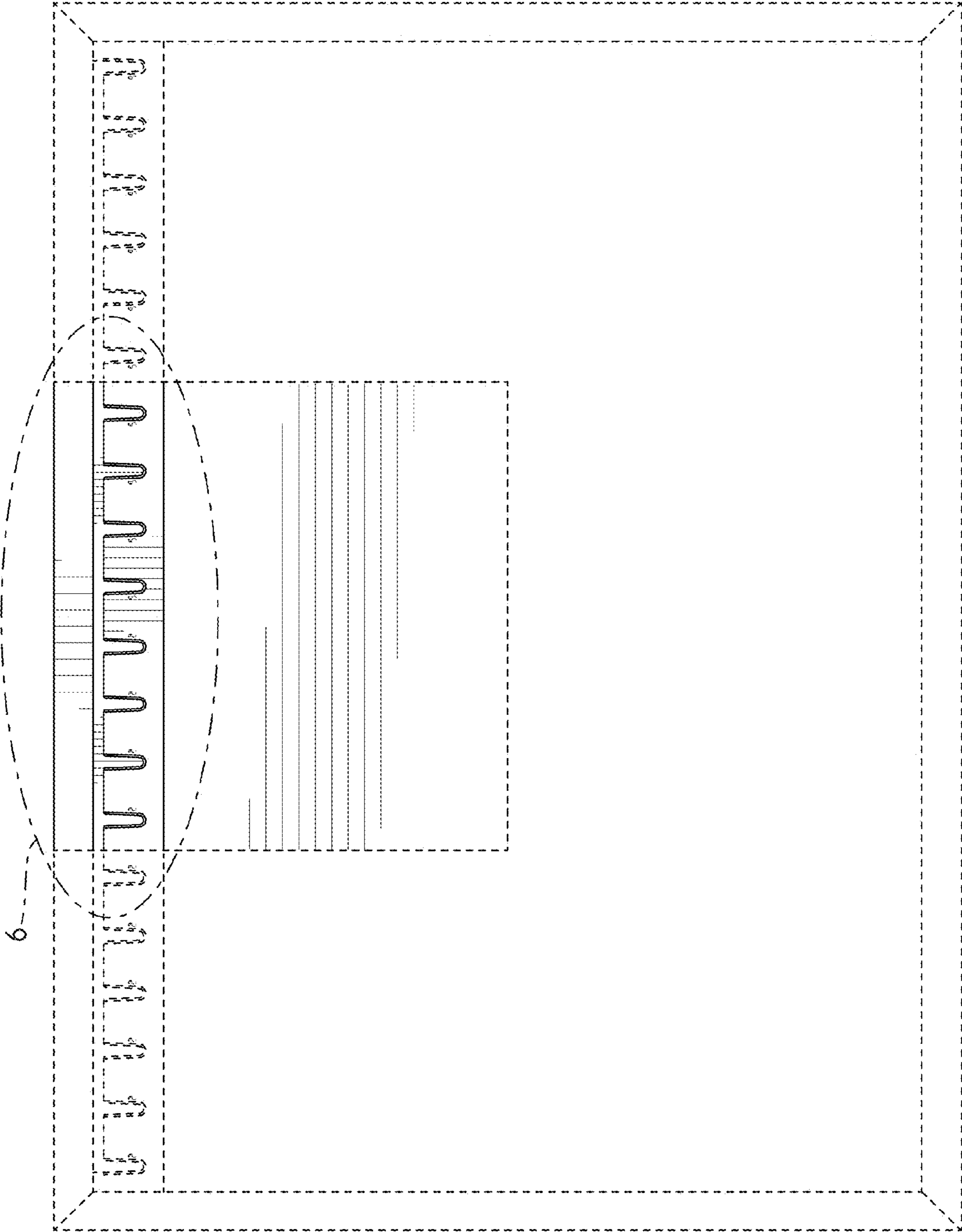


FIG. 2



FIG. 3

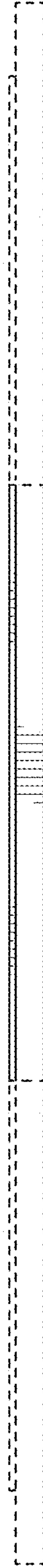


FIG. 4

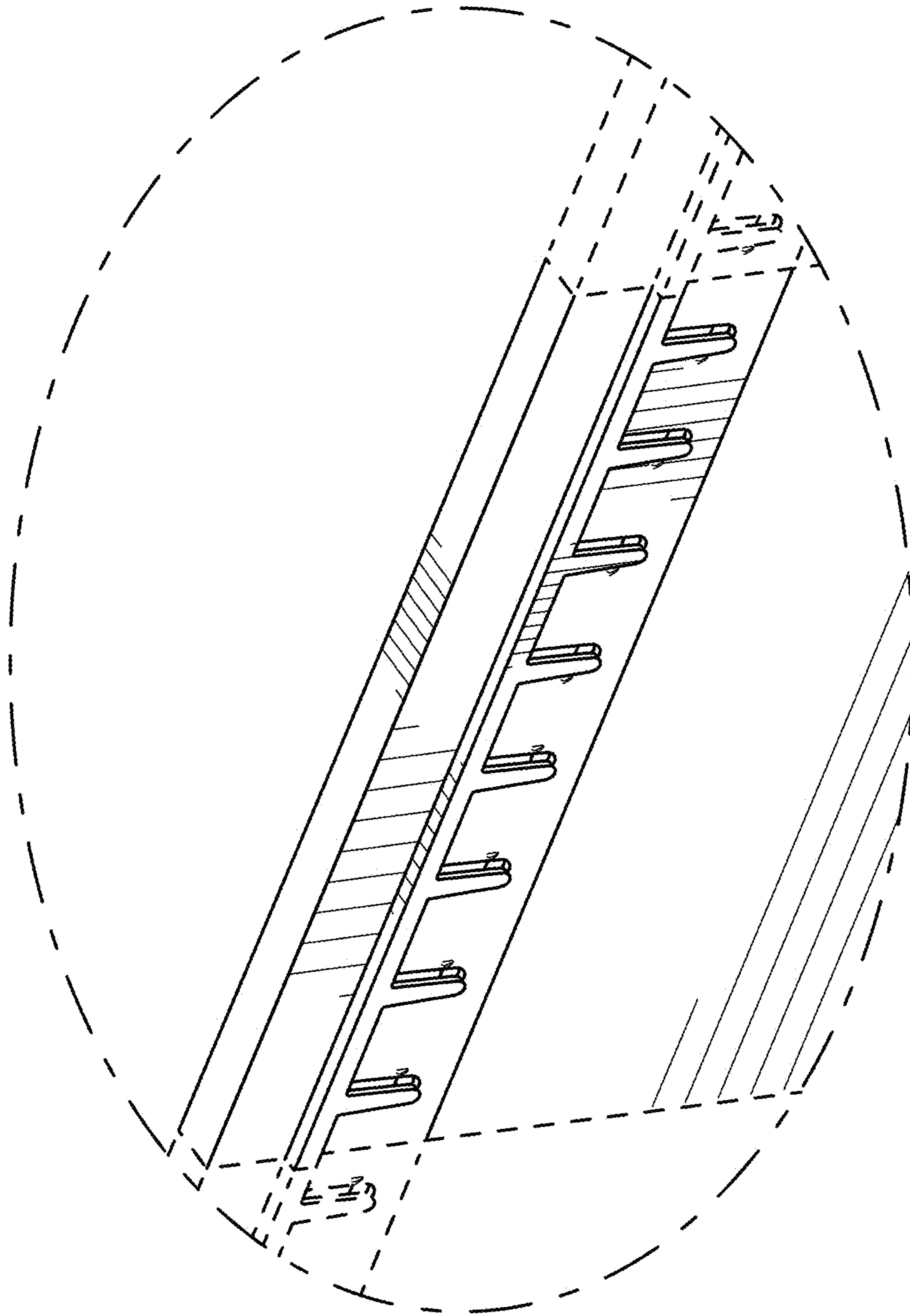


FIG. 5

