



US00D877246S

(12) **United States Design Patent** (10) **Patent No.:** **US D877,246 S**  
**Costas** (45) **Date of Patent:** **\*\* Mar. 3, 2020**

(54) **DRY ERASE BOARD WITH NOTE HOLDER**

D521,068 S 5/2006 Newbould  
7,040,051 B2 5/2006 Windorski  
D586,396 S 2/2009 Kang

(71) Applicant: **Trophius Pty Ltd.**, Cremorne (AU)

(Continued)

(72) Inventor: **Eric Costas**, Cremorne (AU)

FOREIGN PATENT DOCUMENTS

(73) Assignee: **Trophius Pty Ltd.**, Cremorne (AU)

AU 346443 1/2013  
AU 346543 1/2013

(\*\*) Term: **15 Years**

(21) Appl. No.: **29/656,037**

OTHER PUBLICATIONS

(22) Filed: **Jul. 10, 2018**

“Office Depot Brand 4-Piece Stainless Steel Magnet Hook Set, Assorted Shapes (No Shape Choice)”; Office Depot; disclosure date unknown but prior to date of filing present application; URL: <<http://www.officedepot.com/a/products/352108/Office-Depot-Brand-4-Piece-Stainless/>>.

**Related U.S. Application Data**

(62) Division of application No. 29/584,481, filed on Nov. 15, 2016.

*Primary Examiner* — Derrick E Holland

(51) **LOC (12) Cl.** ..... **19-06**

*Assistant Examiner* — Andrew Kerr

(52) **U.S. Cl.**  
USPC ..... **D19/113**

(74) *Attorney, Agent, or Firm* — Banner & Witcoff, Ltd.

(58) **Field of Classification Search**  
USPC ..... D19/62, 65, 88, 91, 113, 115; D20/10,  
D20/27, 39, 43, 44  
CPC ... B42D 5/005; B43L 5/02; B42F 9/00; B42F  
9/001

(57) **CLAIM**

The ornamental design for a dry erase board with note holder, as shown and described.

See application file for complete search history.

**DESCRIPTION**

(56) **References Cited**

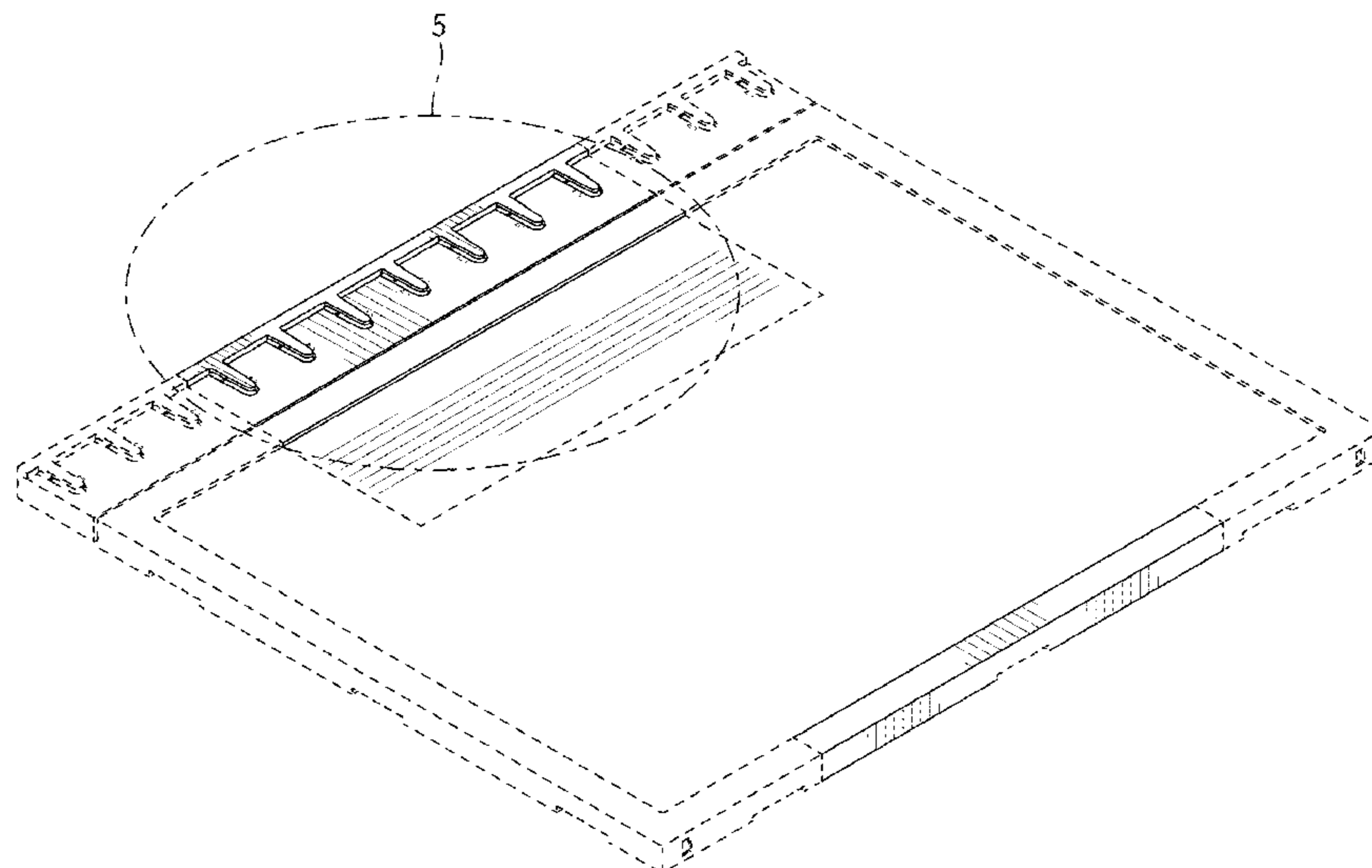
FIG. 1 is a front perspective view of a dry erase board with note holder showing my new design; FIG. 2 is a front view thereof; FIG. 3 is a bottom view thereof; FIG. 4 is a top view thereof; FIG. 5 is an enlarged fragmental front perspective view taken from the area designated in FIG. 1; and, FIG. 6 is an enlarged fragmental front view taken from the area designated in FIG. 2.

U.S. PATENT DOCUMENTS

3,363,341 A	1/1968	Glassman
D244,017 S	4/1977	Bolt
D251,124 S	2/1979	Takeuchi
D327,095 S	6/1992	Meyer
5,176,522 A	1/1993	Robertson, Jr.
5,397,091 A	3/1995	Tsuar
D413,146 S	8/1999	Moore
D435,593 S	12/2000	Hellwig et al.
D451,134 S	11/2001	Fonfeder
D487,289 S	3/2004	Richter
D496,068 S	9/2004	Mandel
D507,302 S	7/2005	Chen et al.
D507,812 S	7/2005	Cesaroni et al.

The broken lines immediately adjacent to the shaded areas of the dry erase board with note holder define the bounds of the claimed design and form no part thereof. All other broken lines represent environmental structure and form no part of the claimed design.

**1 Claim, 5 Drawing Sheets**



(56)

References Cited

U.S. PATENT DOCUMENTS

D589,089 S	3/2009	Loerakker et al.	D752,145 S	3/2016	Killian	
D589,560 S	3/2009	Beno et al.	D753,222 S	4/2016	Costas	
D593,156 S	5/2009	Vasconcelos	D755,892 S	5/2016	Costas	
D594,062 S	6/2009	Loerakker	D776,759 S	1/2017	Costas	
D607,058 S	12/2009	Kim	D777,254 S *	1/2017	Condren .....	D19/65
D617,565 S	6/2010	Mischel, Jr.	D778,356 S	2/2017	Costas	
D623,227 S	9/2010	Hoch et al.	D782,233 S *	3/2017	Jackson .....	D6/706
D623,693 S	9/2010	Hoch et al.	D784,746 S *	4/2017	Jackson .....	D6/706
D629,043 S	12/2010	Beno et al.	D784,747 S *	4/2017	Jackson .....	D6/706
7,874,842 B2	1/2011	Beno	D785,706 S	5/2017	Hoch et al.	
D645,515 S	9/2011	Williams, Sr.	D787,593 S	5/2017	Robins	
D667,413 S	9/2012	Song	D792,518 S *	7/2017	Sachs .....	D19/113
D669,532 S	10/2012	Killian	D794,121 S	8/2017	Costas	
D669,533 S *	10/2012	Okabe .....	D794,122 S	8/2017	Costas	
D672,817 S	12/2012	Butmir et al.	D794,123 S	8/2017	Costas	
D683,403 S	5/2013	Vasconcelos	D794,124 S	8/2017	Costas	
D690,361 S	9/2013	Kang	D794,125 S	8/2017	Costas	
D705,356 S	5/2014	Kang	D809,599 S	2/2018	Costas	
D715,859 S	10/2014	Costas	D809,600 S	2/2018	Anderson	
D715,860 S	10/2014	Costas	D811,478 S	2/2018	Costas	
D715,861 S	10/2014	Costas	D818,357 S	5/2018	Cummings	
D716,377 S	10/2014	Costas	D836,720 S	12/2018	Kang	
D719,217 S	12/2014	Costas	D854,084 S *	7/2019	Condren .....	D19/65
D719,218 S	12/2014	Costas	D855,612 S *	8/2019	Lim .....	D14/374
D724,666 S *	3/2015	Paulick .....	2005/0191611 A1	9/2005	Owen et al.	
9,090,116 B2	7/2015	Tunis et al.	2006/0049125 A1 *	3/2006	Stowell .....	A47B 57/583 211/184
D747,412 S	1/2016	Sachs	2012/0206344 A1	8/2012	Hill et al.	
			2012/0250936 A1	10/2012	Holmgren	
			2013/0200228 A1	8/2013	Costas	

\* cited by examiner

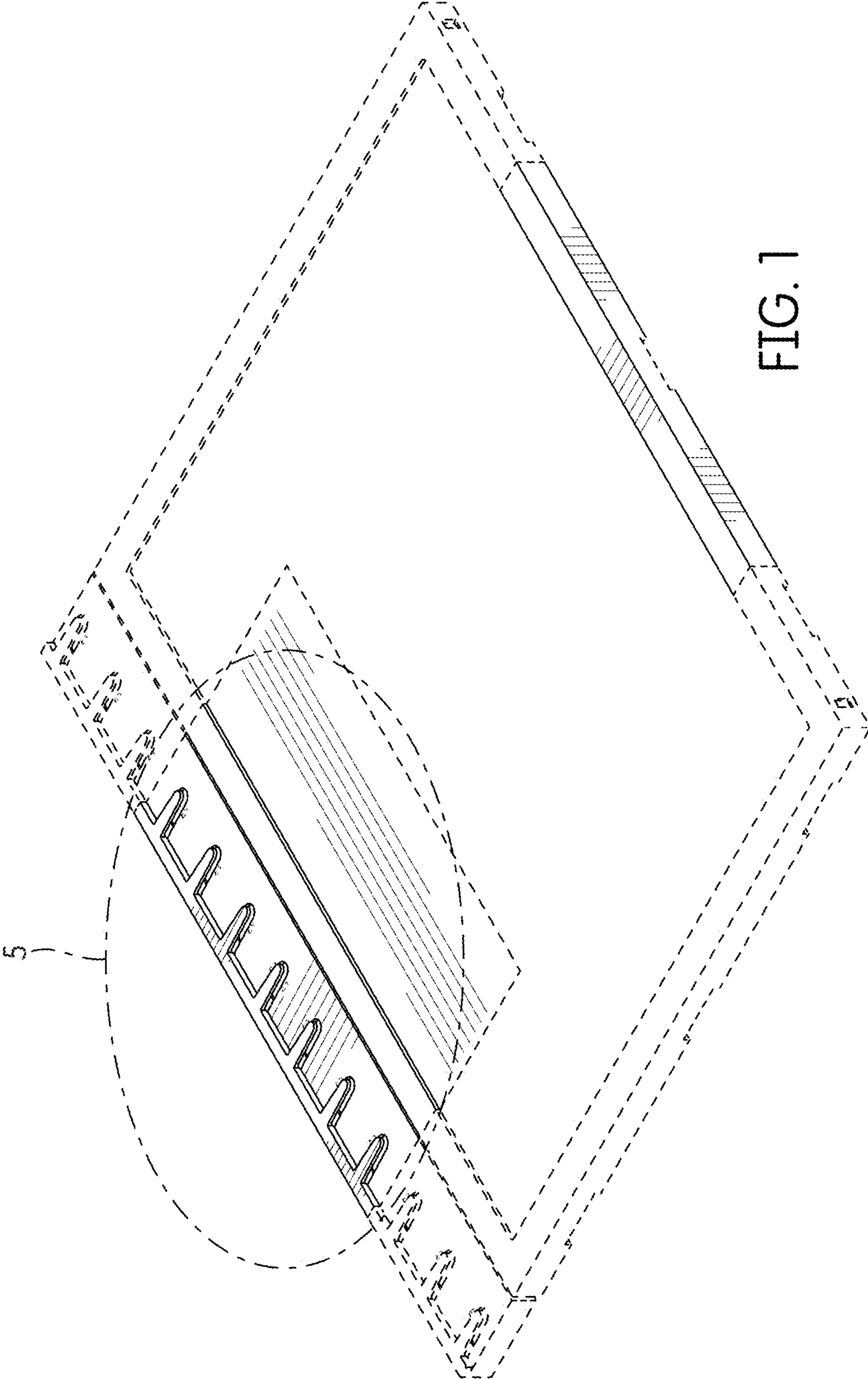


FIG. 1

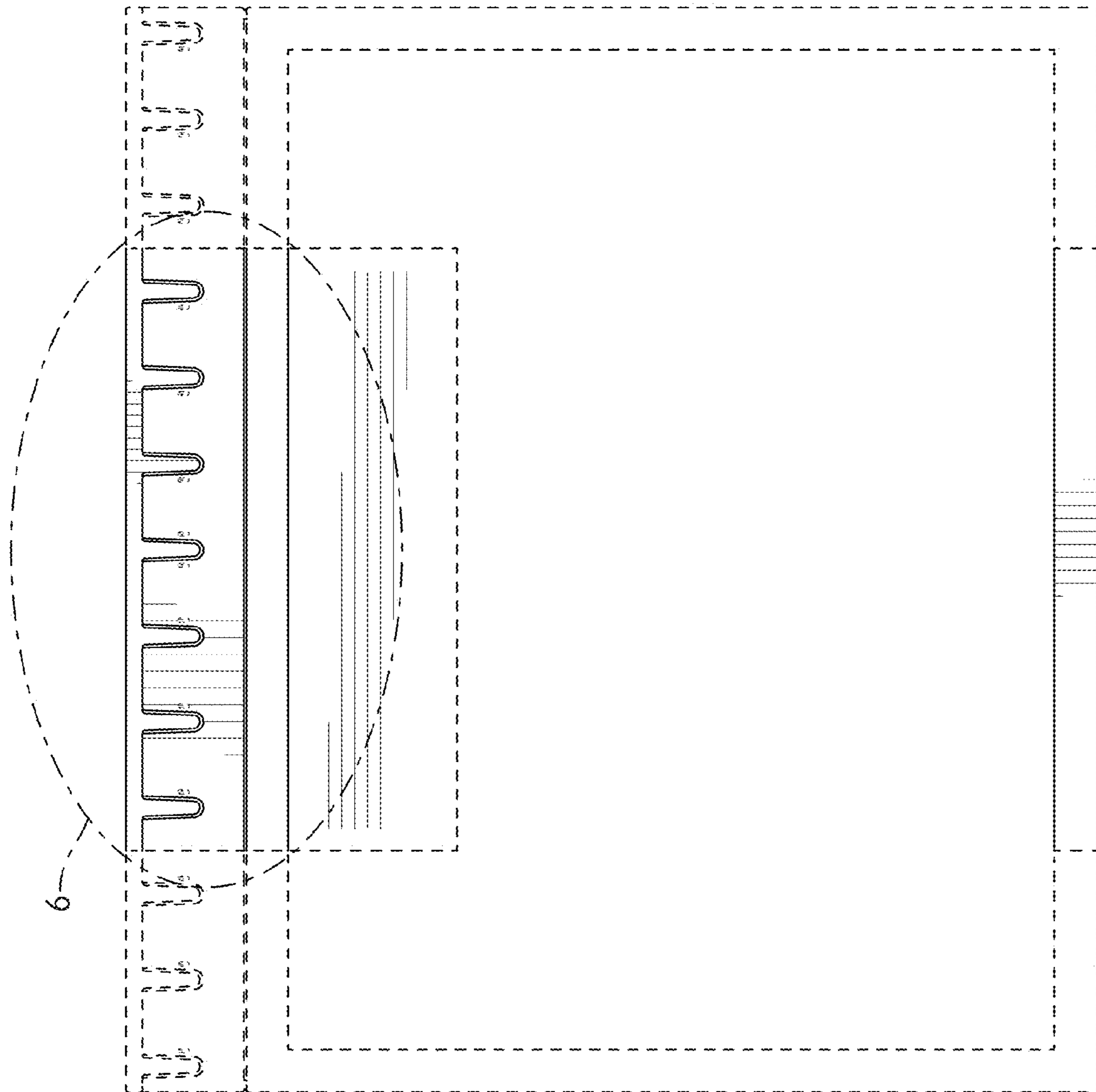


FIG. 2



FIG. 3



FIG. 4

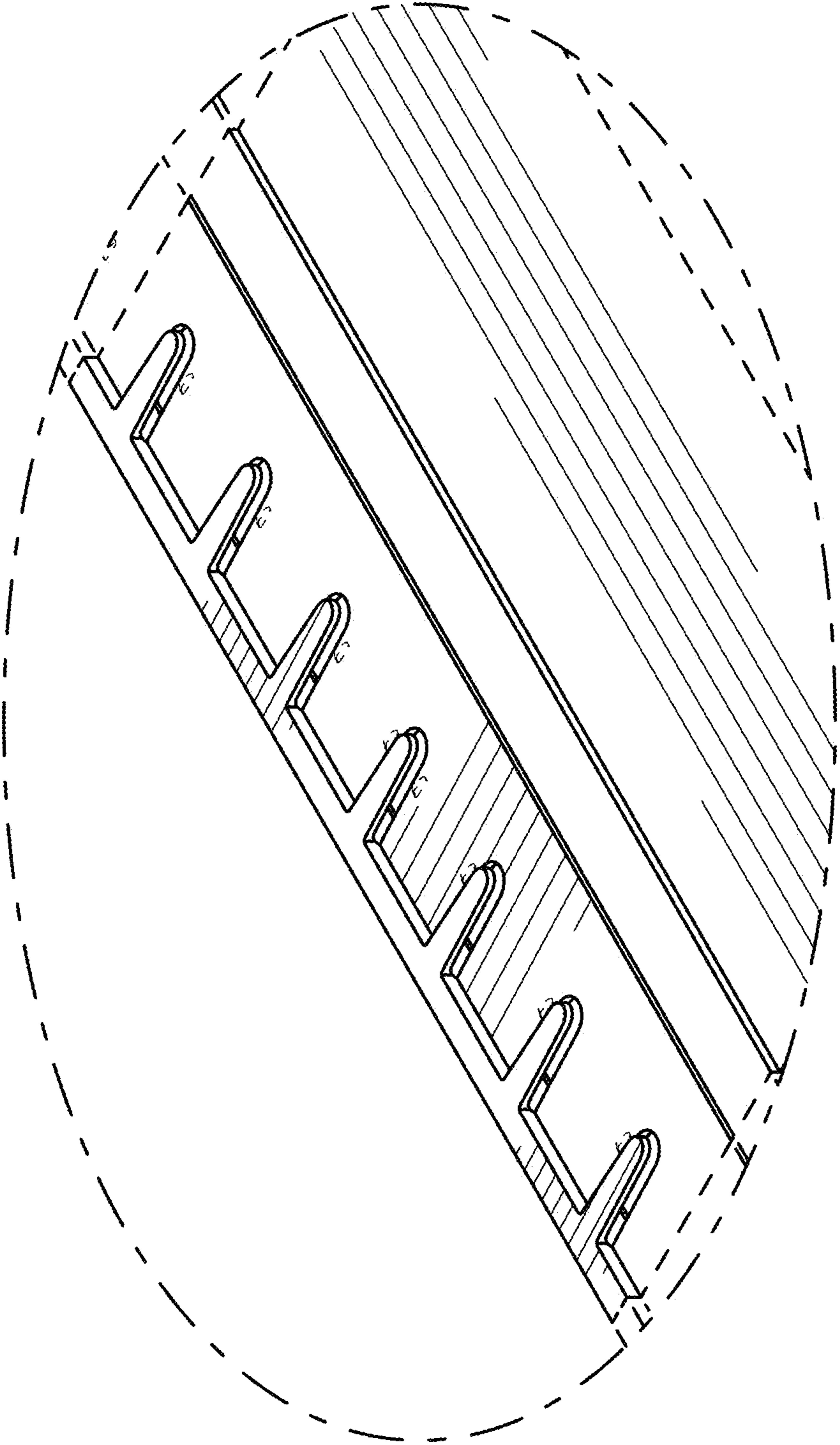


FIG. 5

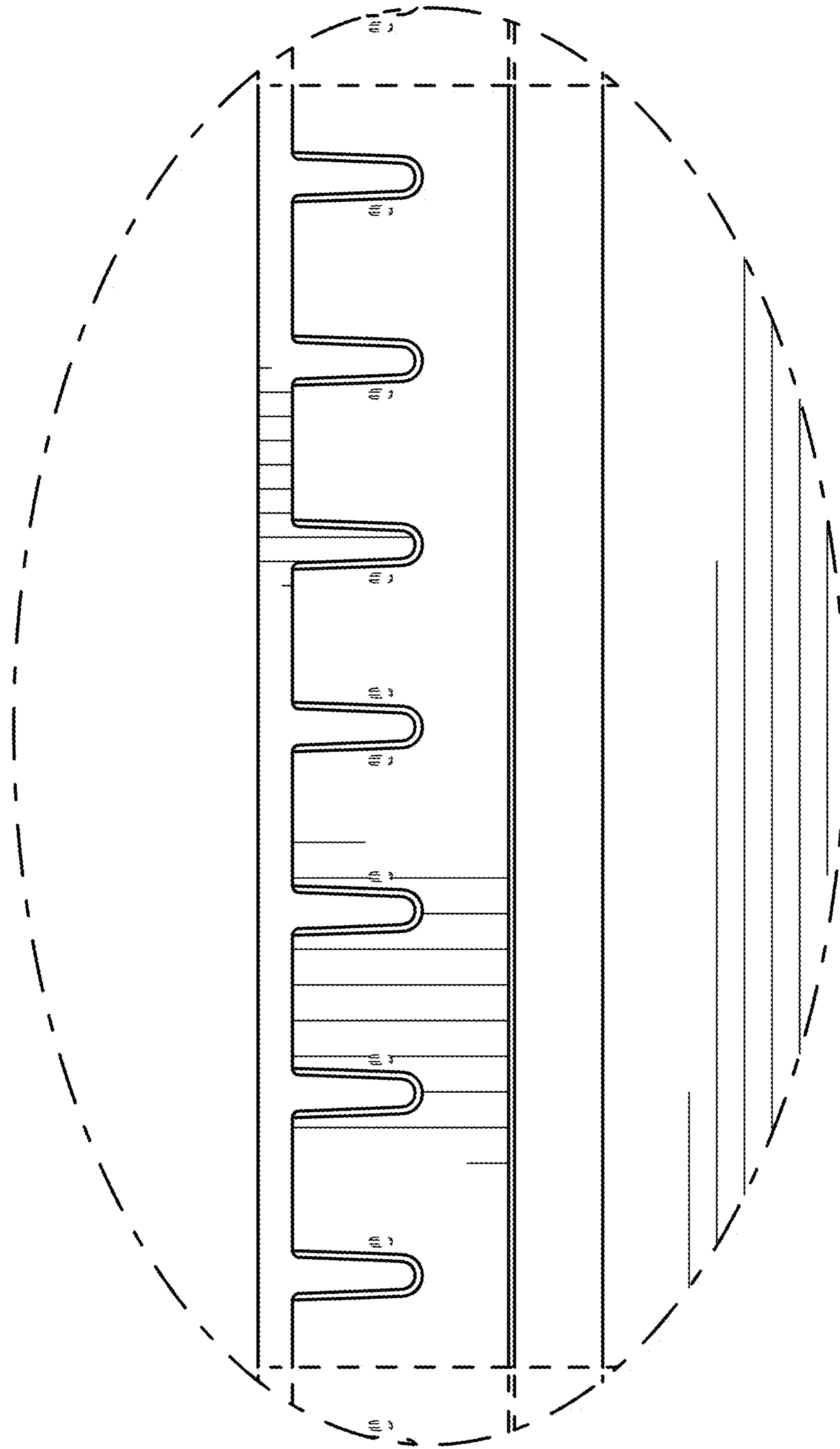


FIG. 6