



US00D877245S

(12) **United States Design Patent**  
**Costas**

(10) **Patent No.:** **US D877,245 S**  
(45) **Date of Patent:** **\*\* Mar. 3, 2020**

(54) **DRY ERASE BOARD WITH NOTE HOLDER**

D507,302 S 7/2005 Chen et al.  
D507,812 S 7/2005 Cesaroni et al.  
D521,068 S 5/2006 Newbould

(71) Applicant: **Trophius Pty Ltd.**, Cremorne (AU)

(Continued)

(72) Inventor: **Eric Costas**, Cremorne (AU)

**FOREIGN PATENT DOCUMENTS**

(73) Assignee: **Trophius Pty Ltd.**, Cremorne (AU)

AU 346443 1/2013  
AU 346543 1/2013

(\*\*) Term: **15 Years**

(21) Appl. No.: **29/656,033**

**OTHER PUBLICATIONS**

(22) Filed: **Jul. 10, 2018**

U.S. Appl. No. 29/584,481, filed Nov. 15, 2016.  
(Continued)

**Related U.S. Application Data**

(62) Division of application No. 29/584,481, filed on Nov. 15, 2016.

(51) **LOC (12) Cl.** ..... **19-06**

(52) **U.S. Cl.**  
USPC ..... **D19/113**

(58) **Field of Classification Search**  
USPC ..... D19/62, 65, 88, 91, 113, 115; D20/10,  
D20/27, 39, 43, 44  
CPC ... B42D 5/005; B43L 5/02; B42F 9/00; B42F  
9/001  
See application file for complete search history.

*Primary Examiner* — Derrick E Holland

*Assistant Examiner* — Andrew Kerr

(74) *Attorney, Agent, or Firm* — Banner & Witcoff, Ltd.

(57) **CLAIM**

The ornamental design for a dry erase board with note holder, as shown and described.

**DESCRIPTION**

FIG. 1 is a front perspective view of a dry erase board with note holder showing my new design; FIG. 2 is a front view thereof; FIG. 3 is a bottom view thereof; FIG. 4 is a top view thereof; FIG. 5 is an enlarged fragmental front perspective view taken from the area designated in FIG. 1; and, FIG. 6 is an enlarged fragmental front view taken from the area designated in FIG. 2.

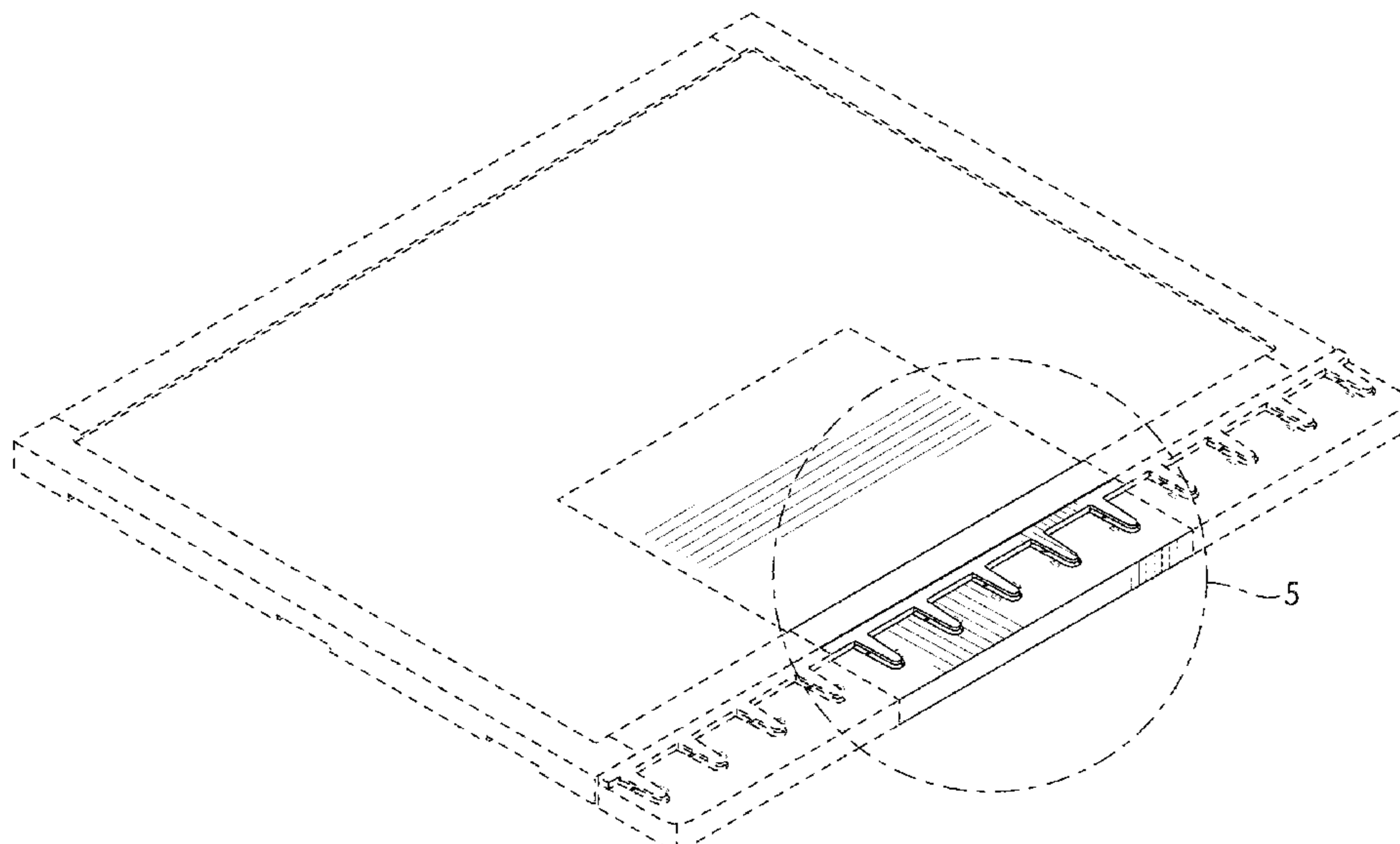
The broken lines immediately adjacent to the shaded areas of the dry erase board with note holder define the bounds of the claimed design and form no part thereof. All other broken lines represent environmental structure and form no part of the claimed design. The broken-line showing of the racetrack-shaped regions and the various unshaded regions of the dry erase board with note holder illustrates environmental structure and form no part of the claimed design.

(56) **References Cited**

**U.S. PATENT DOCUMENTS**

3,363,341 A 1/1968 Glassman  
D244,017 S 4/1977 Bolt  
D251,124 S 2/1979 Takeuchi  
D327,095 S 6/1992 Meyer  
5,176,522 A 1/1993 Robertson, Jr.  
5,397,091 A 3/1995 Tsuar  
D413,146 S 8/1999 Moore  
D435,593 S 12/2000 Hellwig et al.  
D451,134 S 11/2001 Fonfeder  
D487,289 S 3/2004 Richter  
D496,068 S 9/2004 Mandel

**1 Claim, 5 Drawing Sheets**



(56)

References Cited

U.S. PATENT DOCUMENTS

7,040,051 B2 5/2006 Windorski  
 D586,396 S 2/2009 Kang  
 D589,089 S 3/2009 Loerakker et al.  
 D589,560 S 3/2009 Beno et al.  
 D593,156 S 5/2009 Vasconcelos  
 D594,062 S 6/2009 Loerakker  
 D607,058 S 12/2009 Kim  
 D617,565 S 6/2010 Mischel, Jr.  
 D623,227 S 9/2010 Hoch et al.  
 D623,693 S 9/2010 Hoch et al.  
 D629,043 S 12/2010 Beno et al.  
 7,874,842 B2 1/2011 Beno  
 D645,515 S 9/2011 Williams, Sr.  
 D667,413 S 9/2012 Song  
 D669,532 S 10/2012 Killian  
 D669,533 S \* 10/2012 Okabe ..... D19/113  
 D672,817 S 12/2012 Butmir et al.  
 D683,403 S 5/2013 Vasconcelos  
 D690,361 S 9/2013 Kang  
 D705,356 S 5/2014 Kang  
 D715,859 S 10/2014 Costas  
 D715,860 S 10/2014 Costas  
 D715,861 S 10/2014 Costas  
 D716,377 S 10/2014 Costas  
 D719,217 S 12/2014 Costas  
 D719,218 S 12/2014 Costas  
 D724,666 S \* 3/2015 Paulick ..... D19/88  
 9,090,116 B2 7/2015 Tunis et al.  
 D747,412 S 1/2016 Sachs  
 D752,145 S 3/2016 Killian  
 D753,222 S 4/2016 Costas  
 D755,892 S 5/2016 Costas  
 D776,759 S 1/2017 Costas

D777,254 S \* 1/2017 Condren ..... D19/65  
 D778,356 S 2/2017 Costas  
 D782,233 S \* 3/2017 Jackson ..... D6/706  
 D784,746 S \* 4/2017 Jackson ..... D6/706  
 D784,747 S \* 4/2017 Jackson ..... D6/706  
 D785,706 S 5/2017 Hoch et al.  
 D787,593 S 5/2017 Robins  
 D792,518 S \* 7/2017 Sachs ..... D19/113  
 D794,121 S 8/2017 Costas  
 D794,122 S 8/2017 Costas  
 D794,123 S 8/2017 Costas  
 D794,124 S 8/2017 Costas  
 D794,125 S 8/2017 Costas  
 D809,599 S 2/2018 Costas  
 D809,600 S 2/2018 Anderson  
 D811,478 S 2/2018 Costas  
 D818,357 S 5/2018 Cummings  
 D836,720 S 12/2018 Kang  
 D854,084 S \* 7/2019 Condren ..... D19/65  
 D855,612 S \* 8/2019 Lim ..... D14/374  
 2005/0191611 A1 9/2005 Owen et al.  
 2006/0049125 A1 \* 3/2006 Stowell ..... A47B 57/583  
 211/184  
 2012/0206344 A1 8/2012 Hill et al.  
 2012/0250936 A1 10/2012 Holmgren  
 2013/0200228 A1 8/2013 Costas

OTHER PUBLICATIONS

“Office Depot Brand 4-Piece Stainless Steel Magnet Hook Set, Assorted Shapes (No Shape Choice)”; Office Depot; disclosure date unknown but prior to date of filing present application; URL: <<http://www.officedepot.com/a/products/352108/Office-Depot-Brand-4-Piece-Stainless/>>.

\* cited by examiner

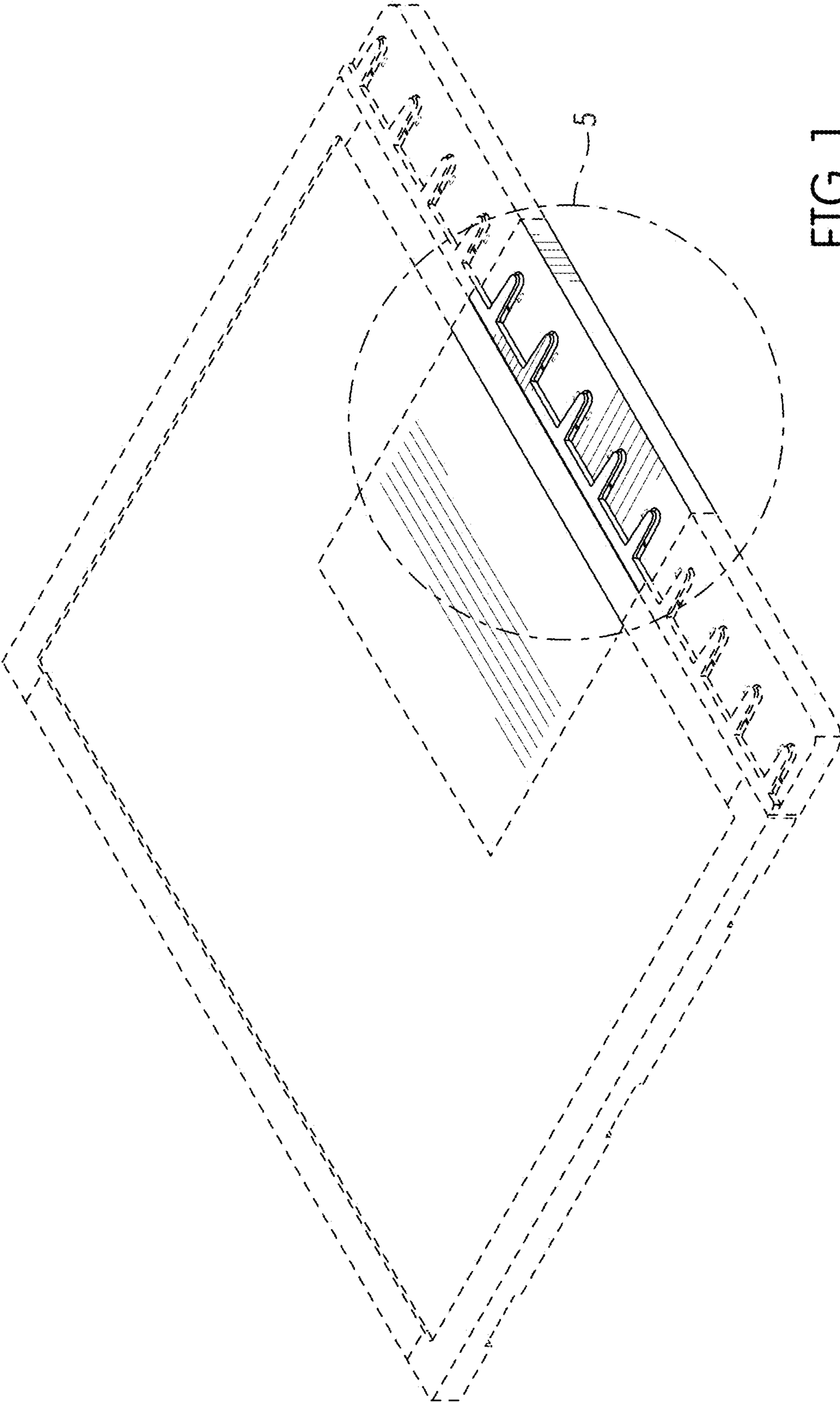
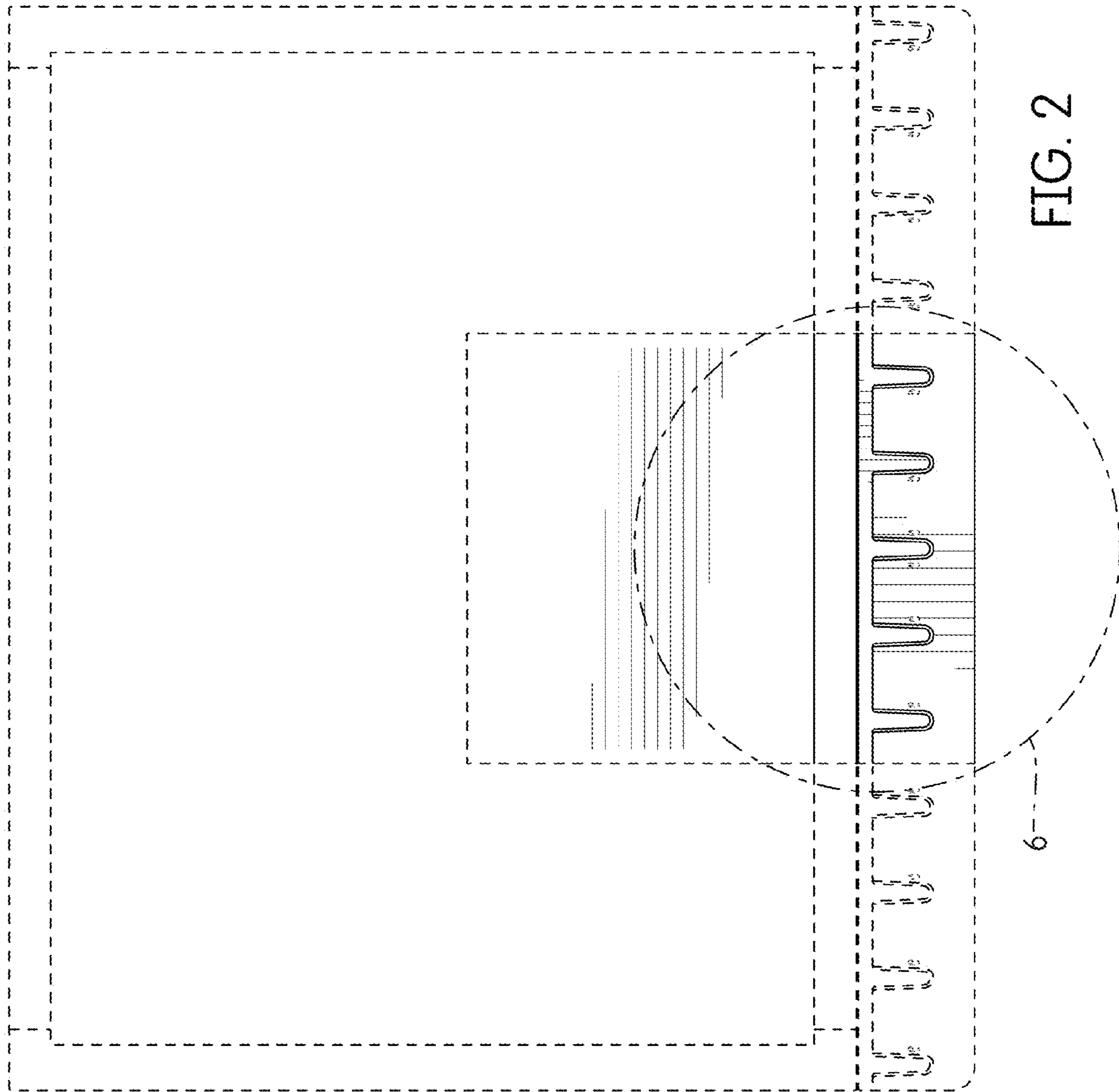


FIG. 1



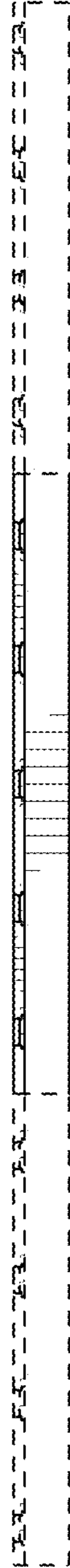


FIG. 3



FIG. 4

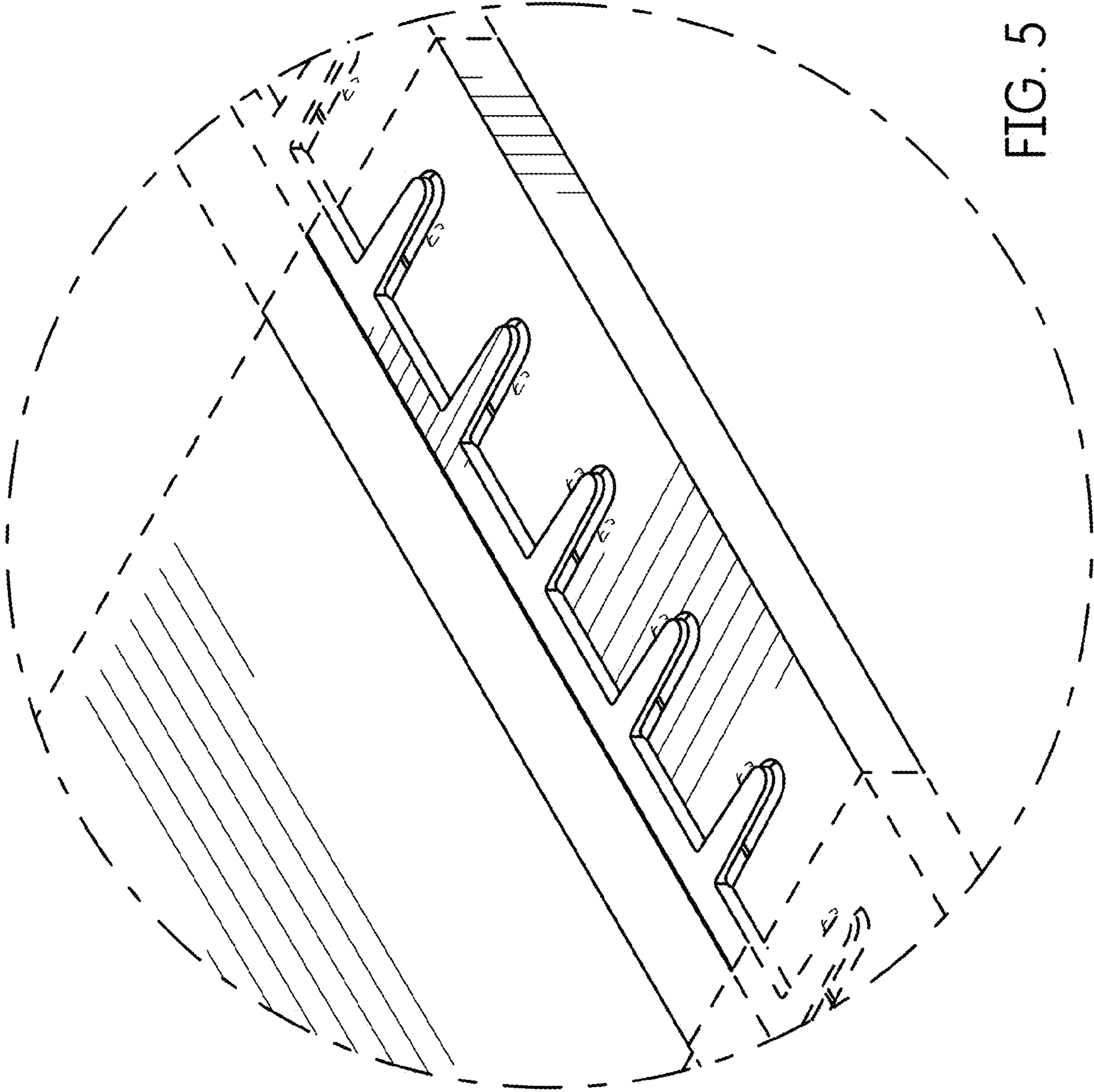


FIG. 5

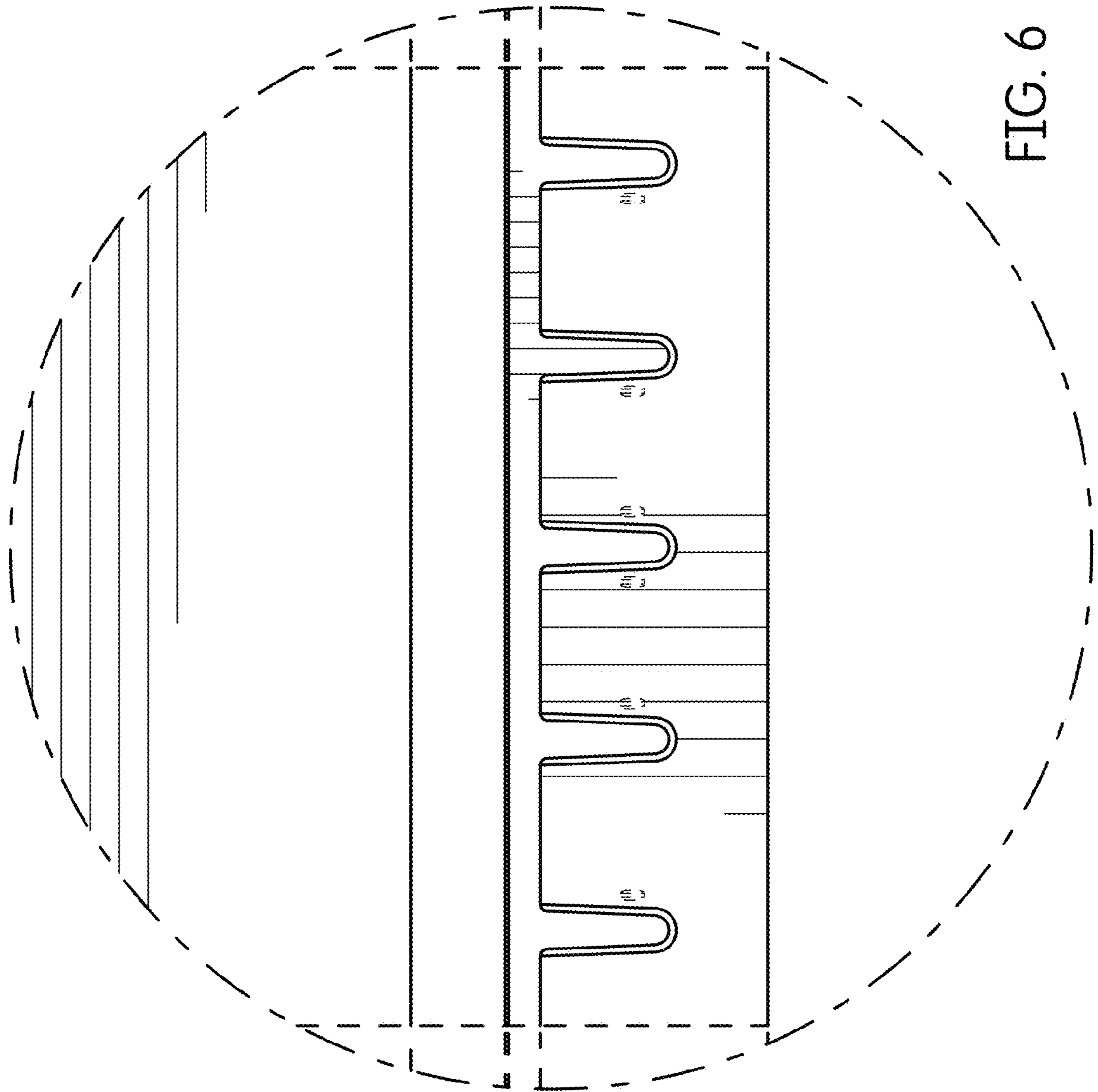


FIG. 6