



US00D877239S

(12) **United States Design Patent**
Chen

(10) **Patent No.:** **US D877,239 S**
(45) **Date of Patent:** **** Mar. 3, 2020**

(54) **DUST COVER FOR HAND STAMP**

FOREIGN PATENT DOCUMENTS

(71) Applicant: **Gau Chen**, Shanghai (CN)

KR 300777093.0000 * 12/2014
WO WO-2011091457 A1 * 8/2011 B41K 1/02
WO WO-2014113833 A1 * 7/2014 B41K 1/006

(72) Inventor: **Gau Chen**, Shanghai (CN)

(73) Assignee: **Shanghai Jipushen Office Articles Co. Ltd.**, Shanghai (CN)

OTHER PUBLICATIONS

(**) Term: **15 Years**

Amazon. Link: https://www.amazon.com/dp/B004D4K6PI/ref=cm_sw_em_r_mt_dp_U_SdtHDbW0DT8XG. Nov. 19, 2010. Ideal 200 Stamp Replacement Pads—3 Pack . (Year: 2010).*

(21) Appl. No.: **29/647,161**

Primary Examiner — Susan Bennett Hattan

(22) Filed: **May 10, 2018**

Assistant Examiner — Lauren D McVey

(51) **LOC (12) Cl.** **19-02**

(74) *Attorney, Agent, or Firm* — Knechtel, Demeur & Samlan

(52) **U.S. Cl.**

USPC **D18/18**

(58) **Field of Classification Search**

USPC D18/15, 16, 17, 18, 19, 50; D19/65–68, D19/70, 71; D7/672, 675
CPC . B41J 2/1752; B41J 3/36; B41J 29/023; B41J 2/17526; B41J 3/28; B41K 1/00; B41K 1/38; B41K 1/006; B41K 1/02; B41K 1/08; B41K 1/40; B41K 1/42; B41K 1/52; B41K 1/54; B41K 1/56; B41K 1/36; B23K 26/00; B23K 26/10; B41C 3/04; B41D 7/00

(57) **CLAIM**

I claim the ornamental design for a dust cover for hand stamp, as shown and described.

See application file for complete search history.

DESCRIPTION

FIG. 1 is a top right front perspective view of a dust cover for hand stamp showing our new design with additional broken line subject matter;
FIG. 2 is a top right front perspective view of the dust cover for hand stamp without additional broken line subject matter;
FIG. 3 is a bottom perspective view thereof;
FIG. 4 is a front elevation view thereof, the rear elevation view being a mirror image thereof;
FIG. 5 is a right end view thereof, the left end view being a mirror image thereof;
FIG. 6. is a top plan view thereof; and,
FIG. 7 is a bottom plan view thereof.
The broken lines in the drawings depict portions of the dust cover for hand stamp that form no part of the claimed design.

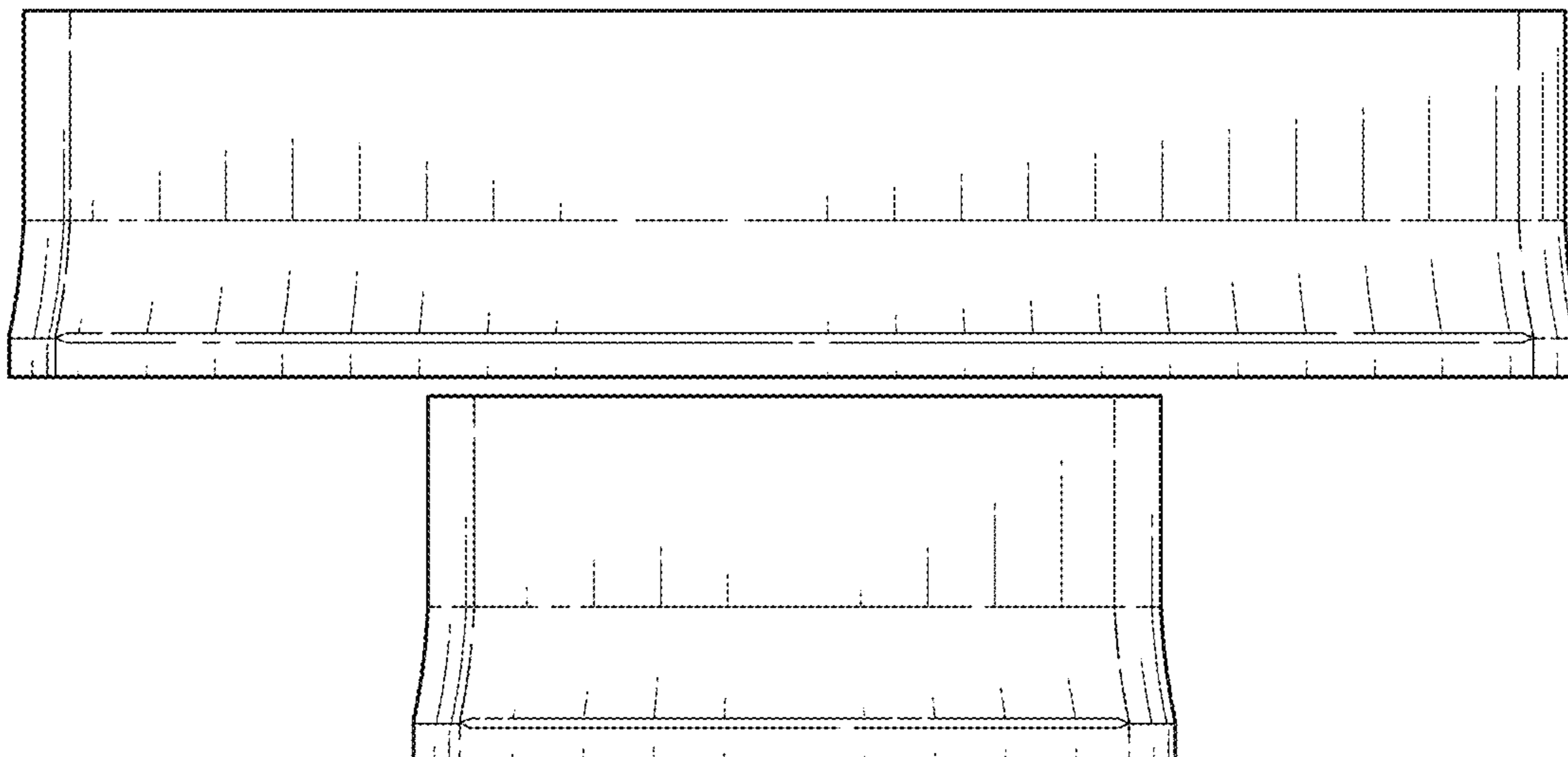
(56) **References Cited**

U.S. PATENT DOCUMENTS

D384,096 S *	9/1997	Harden	D18/15
D389,175 S *	1/1998	Imamaki	D18/18
D425,546 S *	5/2000	Lee	D18/15
D427,234 S *	6/2000	Loy	D18/15
D502,498 S *	3/2005	Kida	D18/18
7,021,211 B1 *	4/2006	Shih	B41K 1/02 101/368
D605,689 S *	12/2009	Baker	D18/15
D679,318 S *	4/2013	Yasoshima	D18/17
9,630,435 B1 *	4/2017	Shih	B41K 1/56
D816,763 S *	5/2018	Yasoshima	D18/15

(Continued)

1 Claim, 4 Drawing Sheets



(56)

References Cited

U.S. PATENT DOCUMENTS

2006/0065142 A1* 3/2006 Petersen B41K 1/02
101/333
2006/0174787 A1* 8/2006 Petersen B41K 1/50
101/333

* cited by examiner

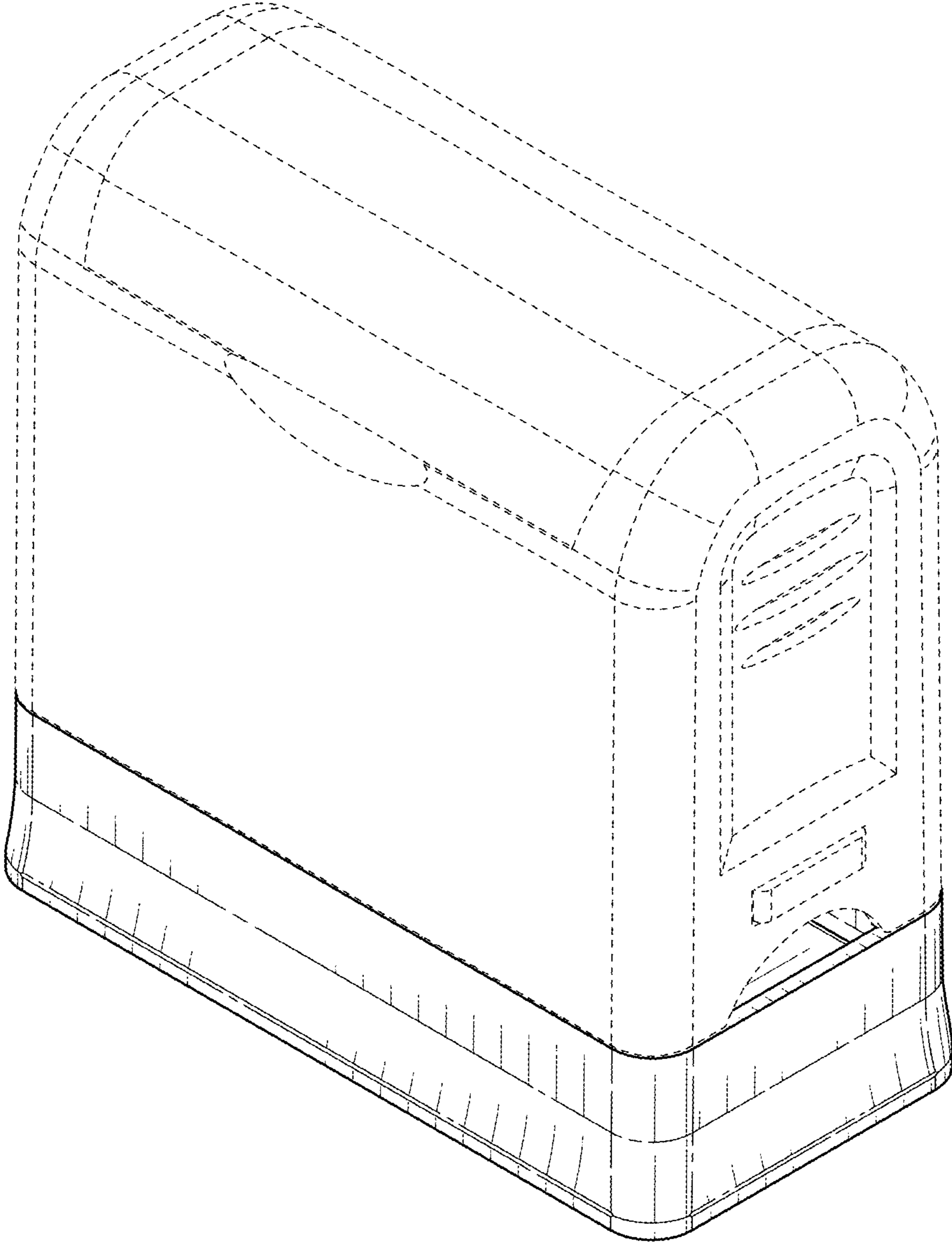


FIG. 1

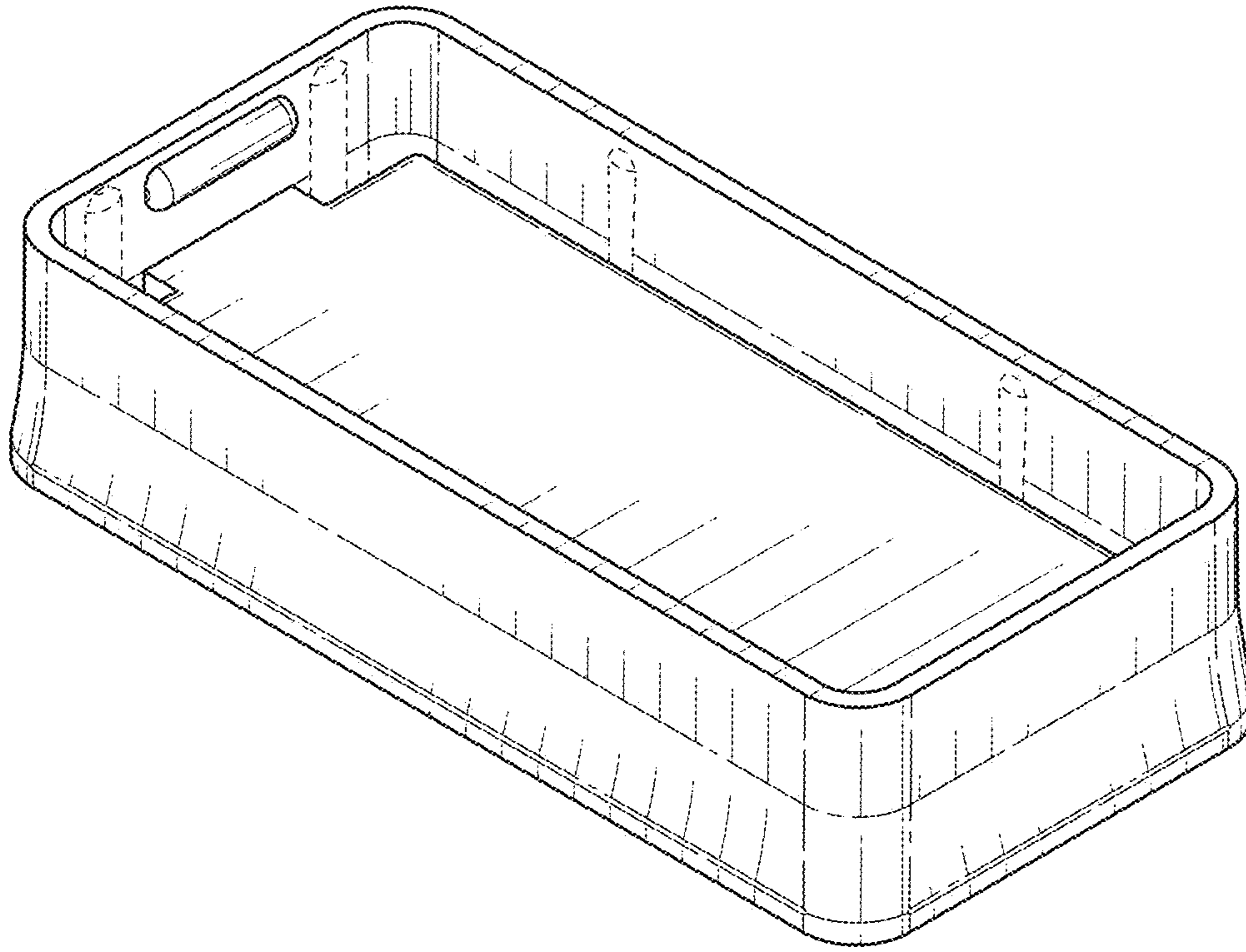


FIG. 2

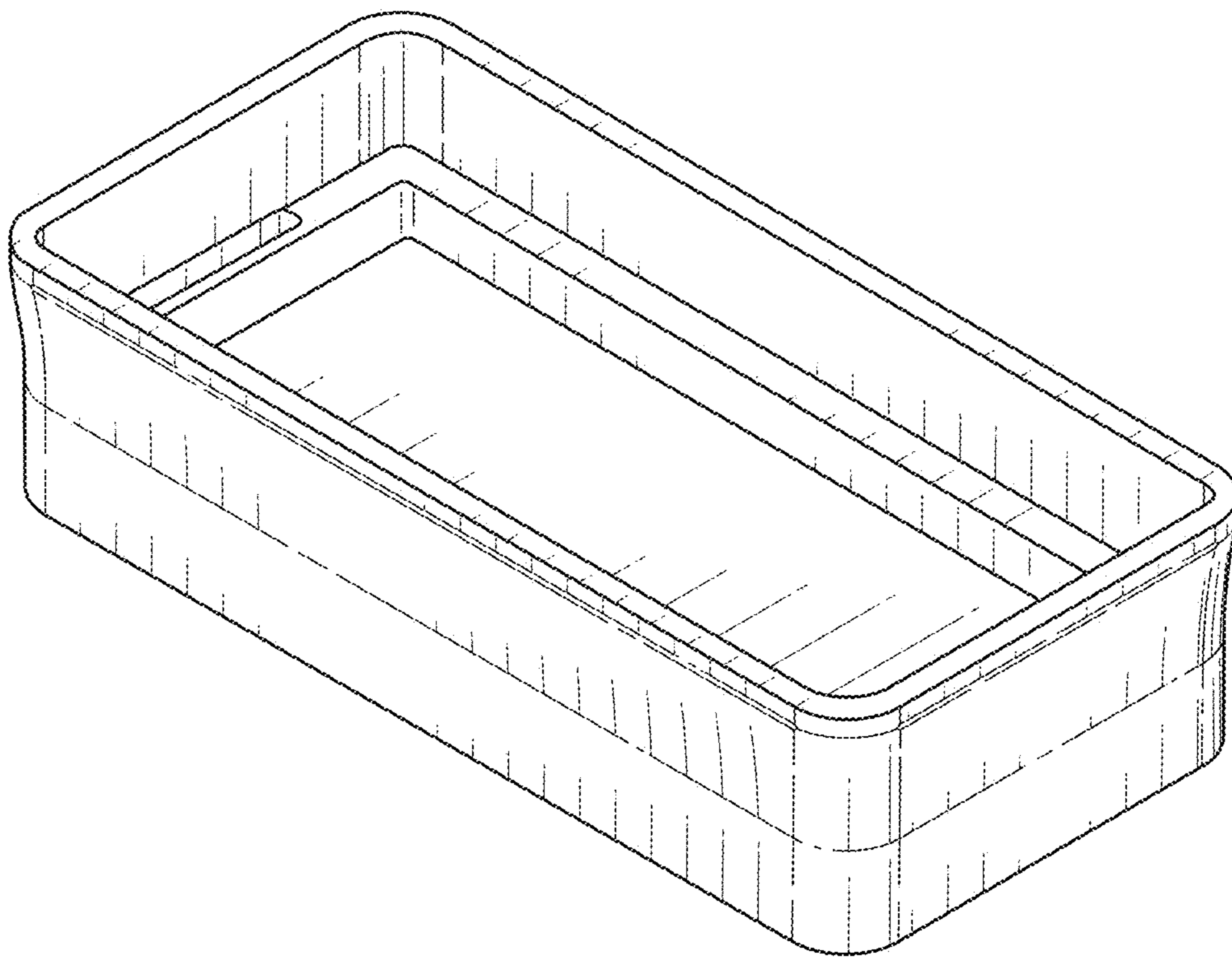


FIG. 3

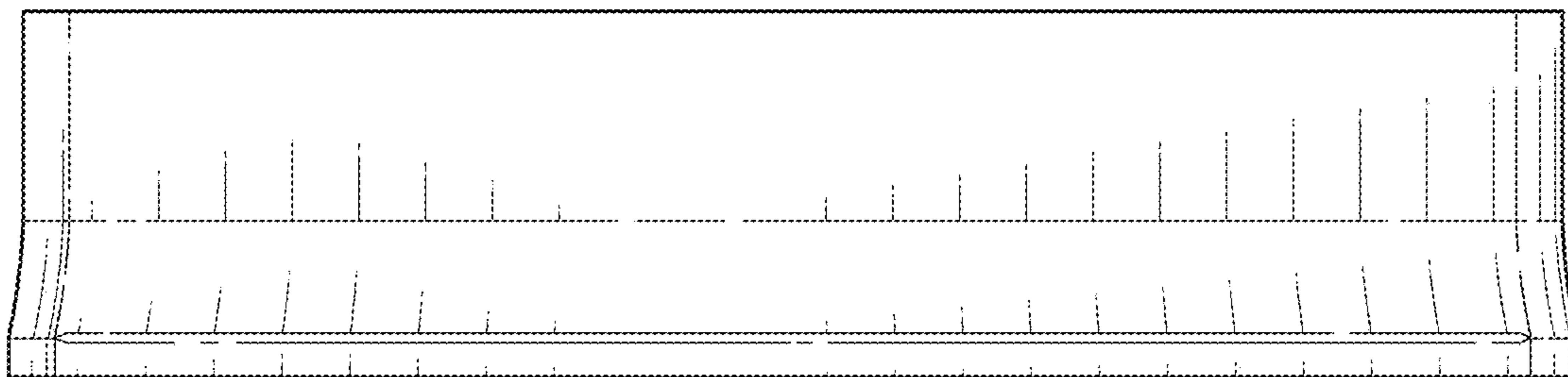


FIG. 4

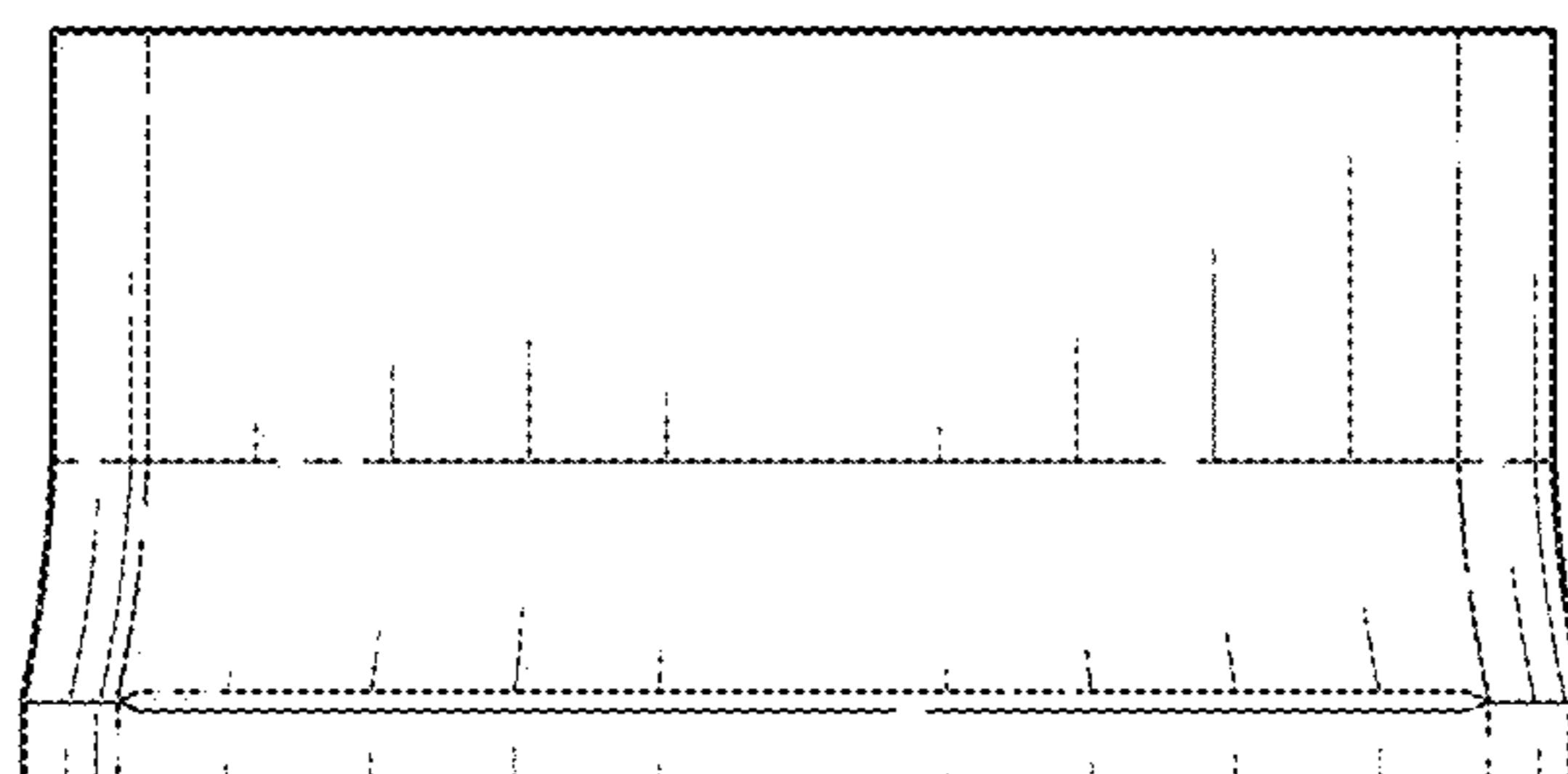


FIG. 5

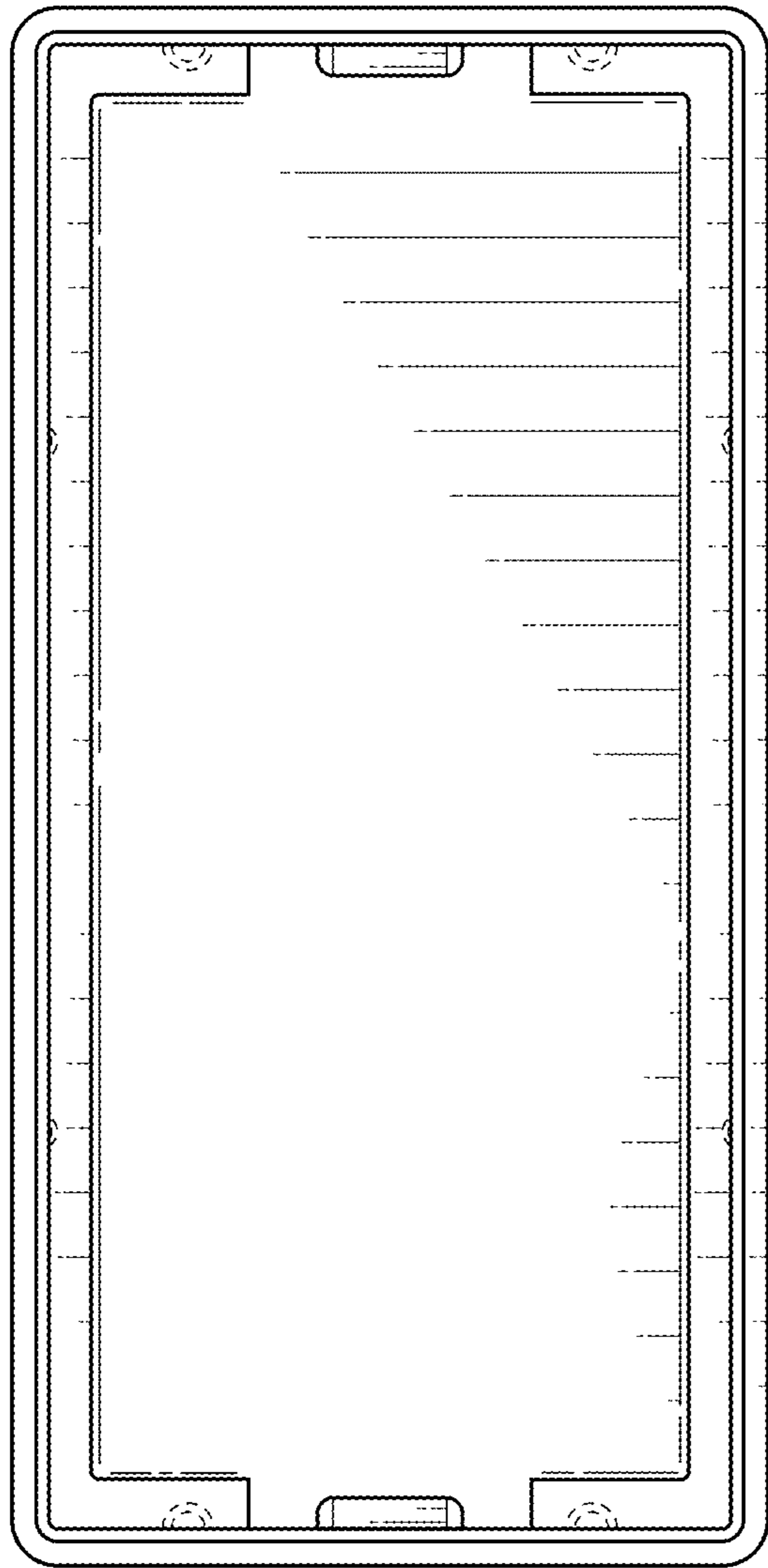


FIG. 6

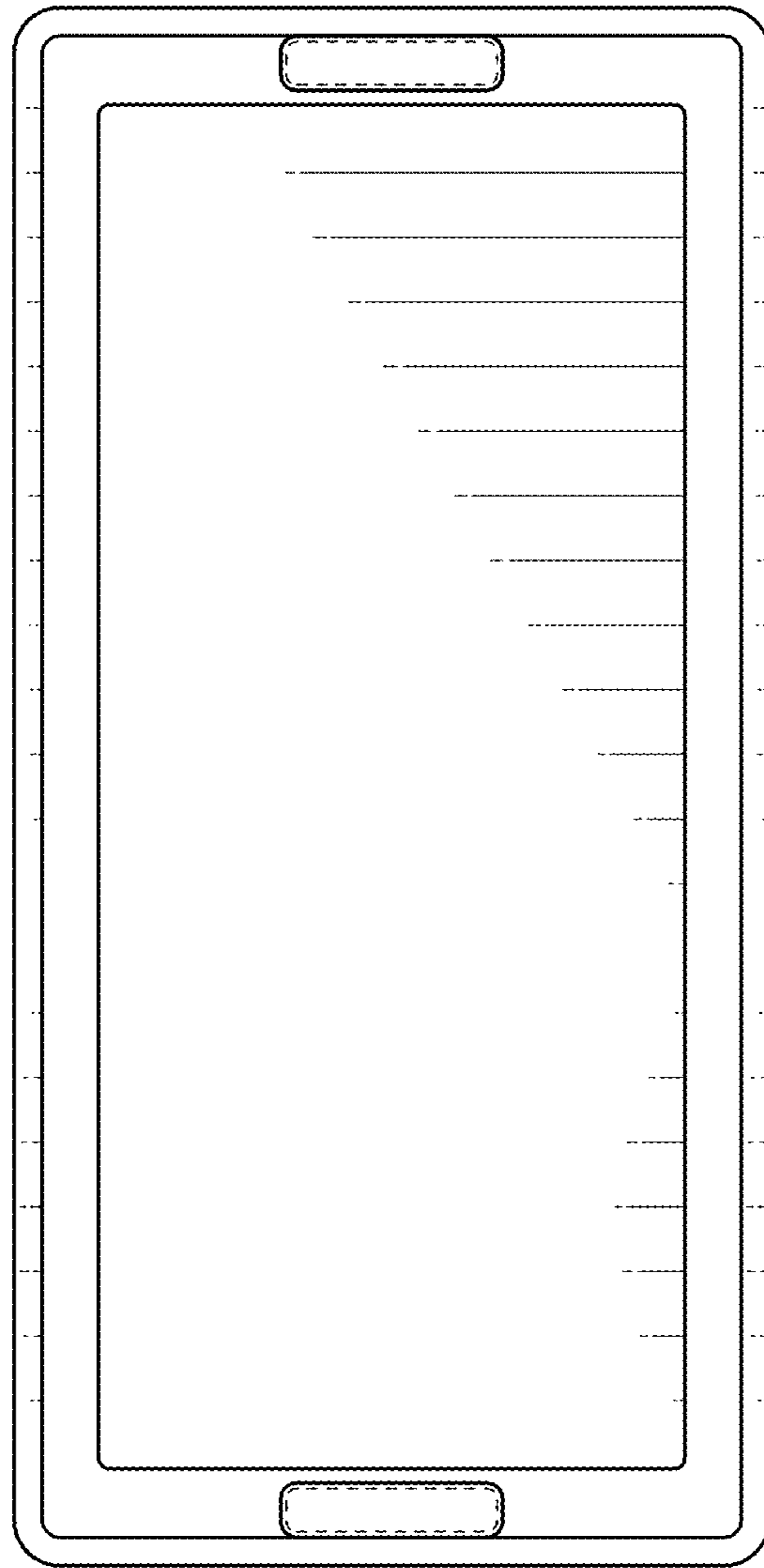


FIG. 7