



US00D877236S

(12) **United States Design Patent**
Damin

(10) **Patent No.:** **US D877,236 S**
(45) **Date of Patent:** **** Mar. 3, 2020**

- (54) **SPECTACLES BRIDGE**
- (71) Applicant: **SAFILO Società Azionaria Fabbrica Italiana Lavorazione Occhiali S.p.A., Padua (IT)**
- (72) Inventor: **Marco Damin, Padua (IT)**
- (73) Assignee: **SAFILO—SOCIETÀ AZIONARIA FABBRICA ITALIANA LAVORAZIONE OCCHIALI S.P.A., Padua (IT)**
- (**) Term: **15 Years**
- (21) Appl. No.: **29/631,130**
- (22) Filed: **Dec. 27, 2017**
- (30) **Foreign Application Priority Data**

- D115,717 S * 7/1939 Kimmel D16/315
- D220,655 S * 5/1971 Holloway D16/332
- 5,448,318 A * 9/1995 Heine G02C 9/04
351/158
- D373,782 S * 9/1996 Shelton D16/332
- 5,596,789 A * 1/1997 Simioni G02C 5/2209
16/224
- D386,777 S * 11/1997 Hall D16/332
- D389,506 S * 1/1998 Conway D16/332
- D401,960 S * 12/1998 Pearl D16/330
- D444,491 S * 7/2001 Iwanaga D16/333
- D472,264 S * 3/2003 Lane D16/315
- D483,054 S * 12/2003 Chou D16/314
- D509,528 S * 9/2005 Cole D16/309
- D516,112 S * 2/2006 Cole D16/309
- D543,577 S * 5/2007 Lennox D16/327
- D543,578 S * 5/2007 Lennox D16/327
- D585,086 S * 1/2009 Tu D16/315
- 7,517,082 B2 * 4/2009 Huang G02C 9/02
2/13
- D597,123 S * 7/2009 Strecker D16/315

(Continued)

Dec. 5, 2017 (EM) 004537215-0002

- (51) **LOC (12) Cl.** **16-06**
- (52) **U.S. Cl.**
USPC **D16/332**
- (58) **Field of Classification Search**
USPC D16/300-342, 101; D29/109-110;
D21/483, 659-661; 351/41, 44, 45-48,
351/51-52, 62, 158, 92, 103-123,
351/140-153, 63, 59; 2/13, 15, 426-432,
2/447-449, 441, 434-437
CPC . G02C 5/16; G02C 5/14; G02C 5/146; G02C
5/2254; G02C 5/008; G02C 2200/08;
G02C 2200/22; G02C 1/06; G02C 11/02;
G02C 11/04; A61M 2021/0044; A63B
33/002

See application file for complete search history.

- (56) **References Cited**
U.S. PATENT DOCUMENTS

- D94,785 S * 3/1935 Splaine D16/332
- D99,673 S * 5/1936 Durgin D16/332

Primary Examiner — Michelle E. Wilson

Assistant Examiner — Sanjeev Paul

(74) *Attorney, Agent, or Firm* — Volpe and Koenig, P.C.

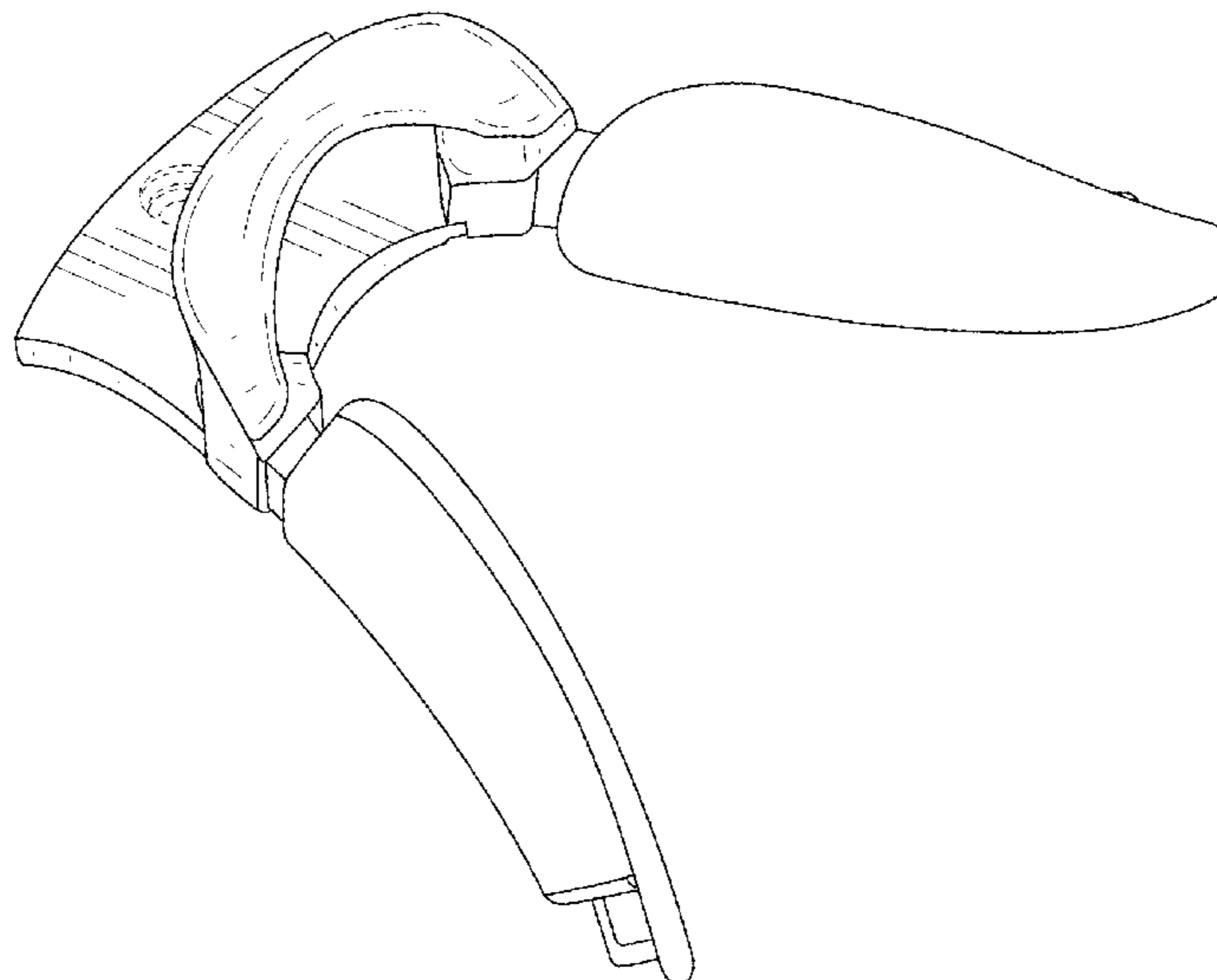
(57) **CLAIM**

The ornamental design for spectacles bridge, as shown and described.

DESCRIPTION

- FIG. 1 is a front perspective view;
- FIG. 2 is a front elevational view;
- FIG. 3 is a rear elevational view;
- FIG. 4 is a right side elevational view;
- FIG. 5 is a top plan view;
- FIG. 6 is a bottom view;
- FIG. 7 is a rear perspective view; and,
- FIG. 8 is a left side elevational view.

1 Claim, 8 Drawing Sheets



(56)

References Cited

U.S. PATENT DOCUMENTS

D636,808	S *	4/2011	Sheldon	D16/315
D655,742	S *	3/2012	Bogle	D16/330
D674,434	S *	1/2013	Rohrbach	D16/315
D676,897	S *	2/2013	Seo	D16/332
8,371,691	B2 *	2/2013	Chiou	G02C 9/00
				351/47
D682,923	S *	5/2013	Kim	D16/330
D682,924	S *	5/2013	Cheung	D16/334
D726,246	S *	4/2015	Shalon	D16/300
D728,669	S *	5/2015	Kroman	D16/332
D732,105	S *	6/2015	Olsson	D16/332
D747,759	S *	1/2016	Ho	D16/101
D769,351	S *	10/2016	Markovitz	D16/315
D769,352	S *	10/2016	Markovitz	D16/320
D786,956	S *	5/2017	Sheldon	D16/315
D802,046	S *	11/2017	Ho	D16/300
2011/0296574	A1 *	12/2011	Morency	G02C 9/00
				2/2.5
2018/0039094	A1 *	2/2018	Castillo	G02C 5/04

* cited by examiner

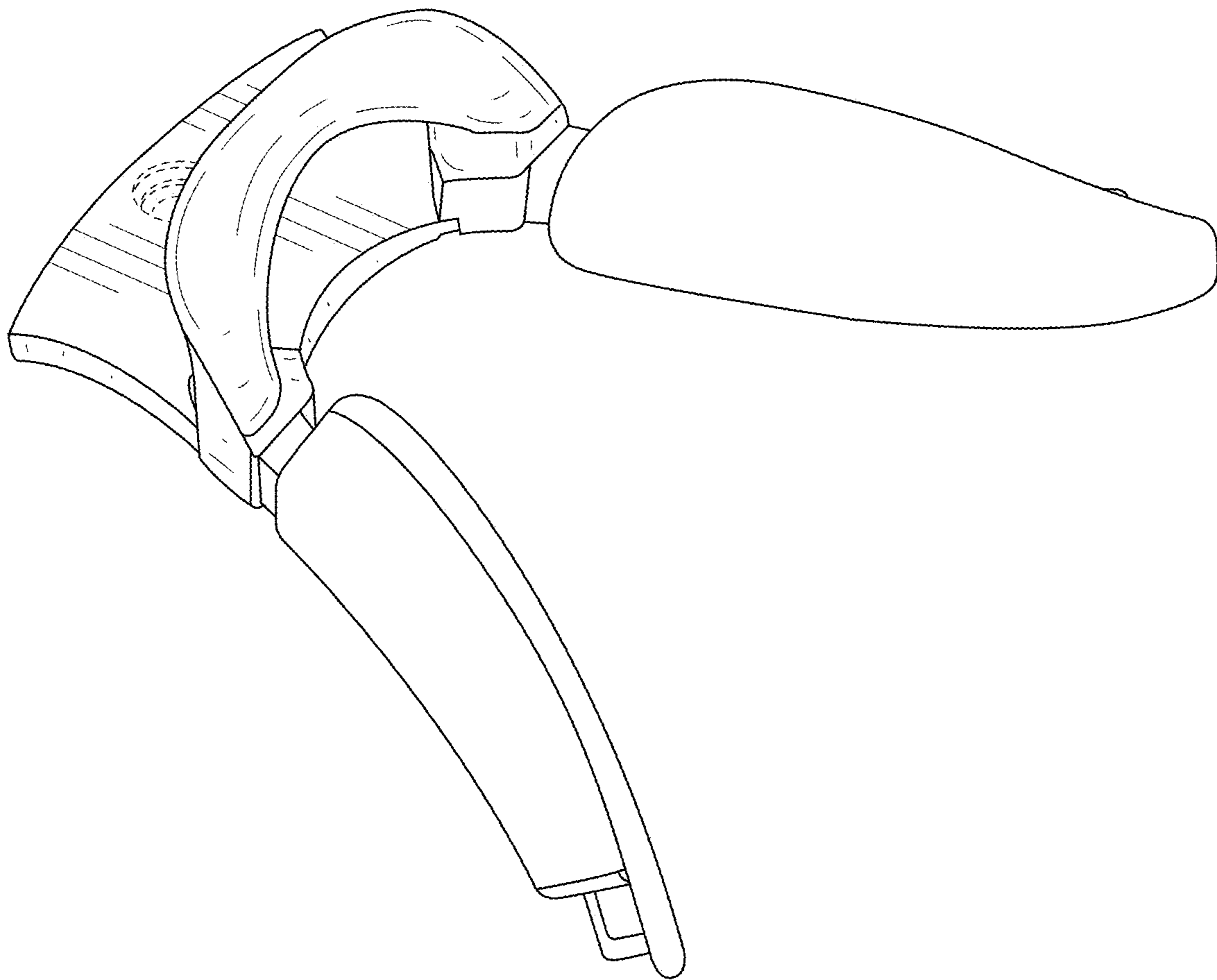


FIG. 1

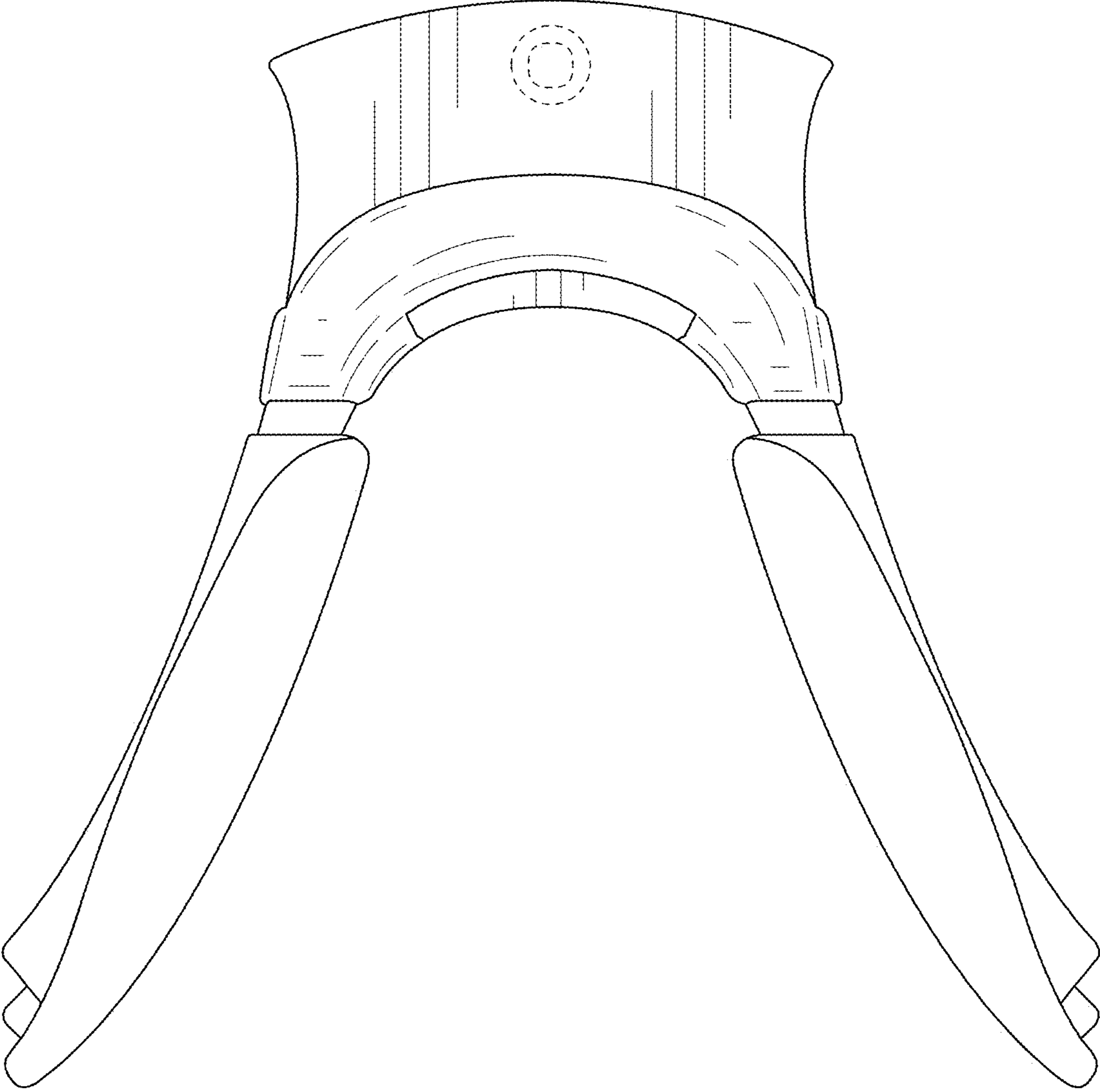


FIG. 2

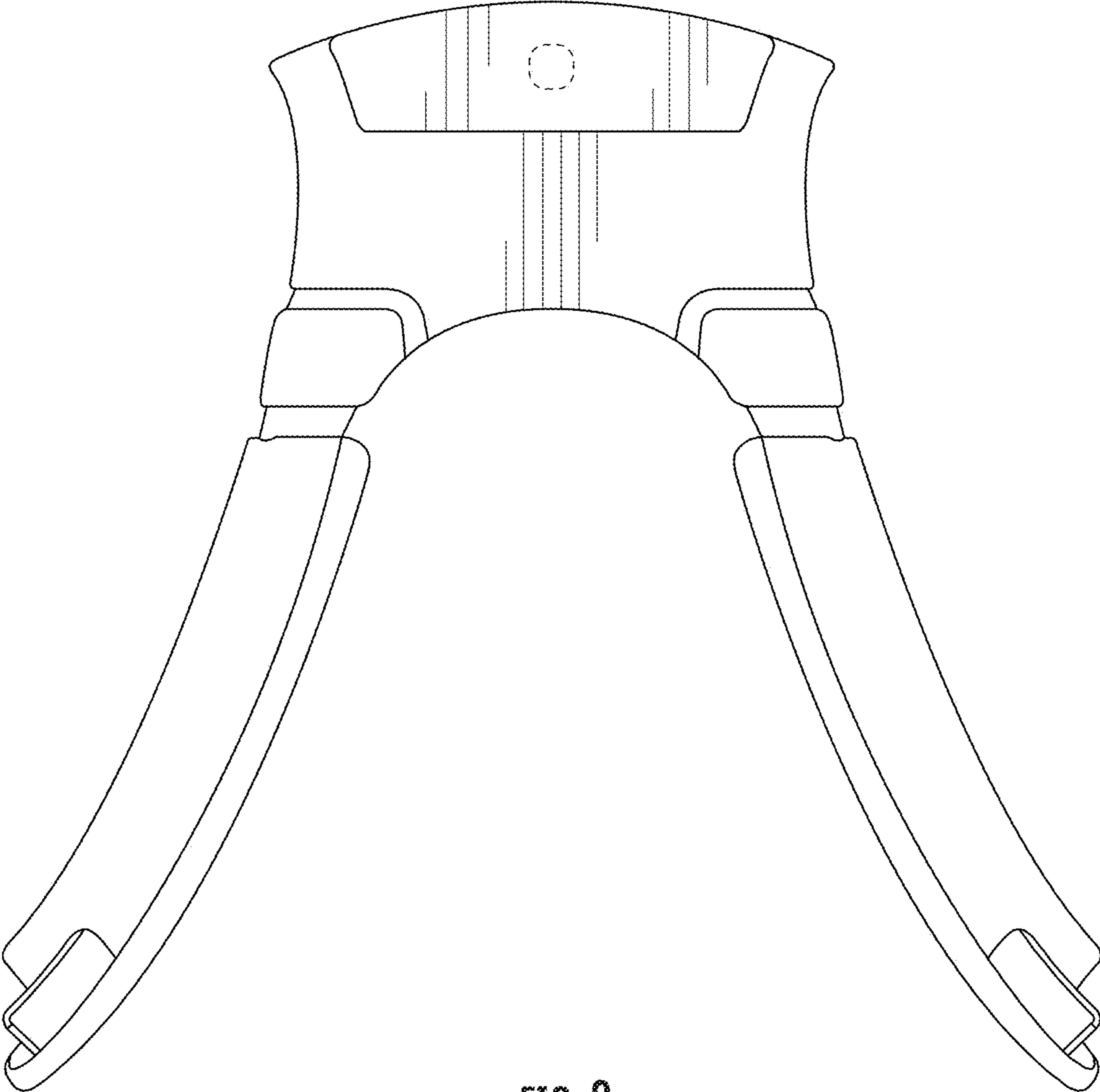
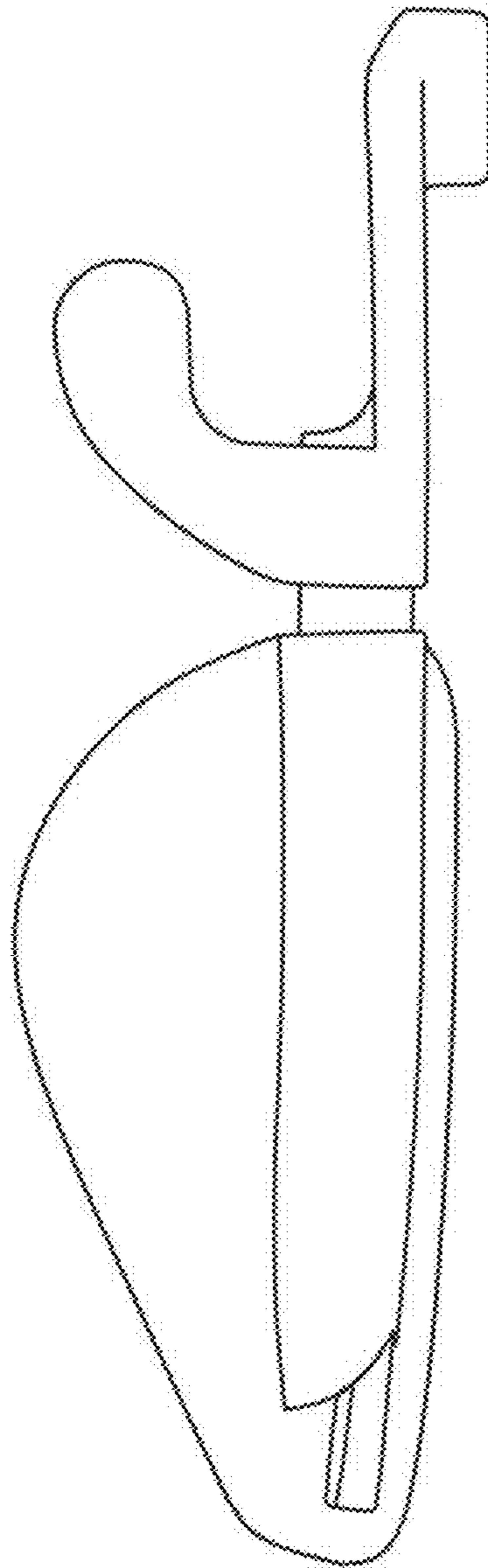


FIG. 3

FIG. 4



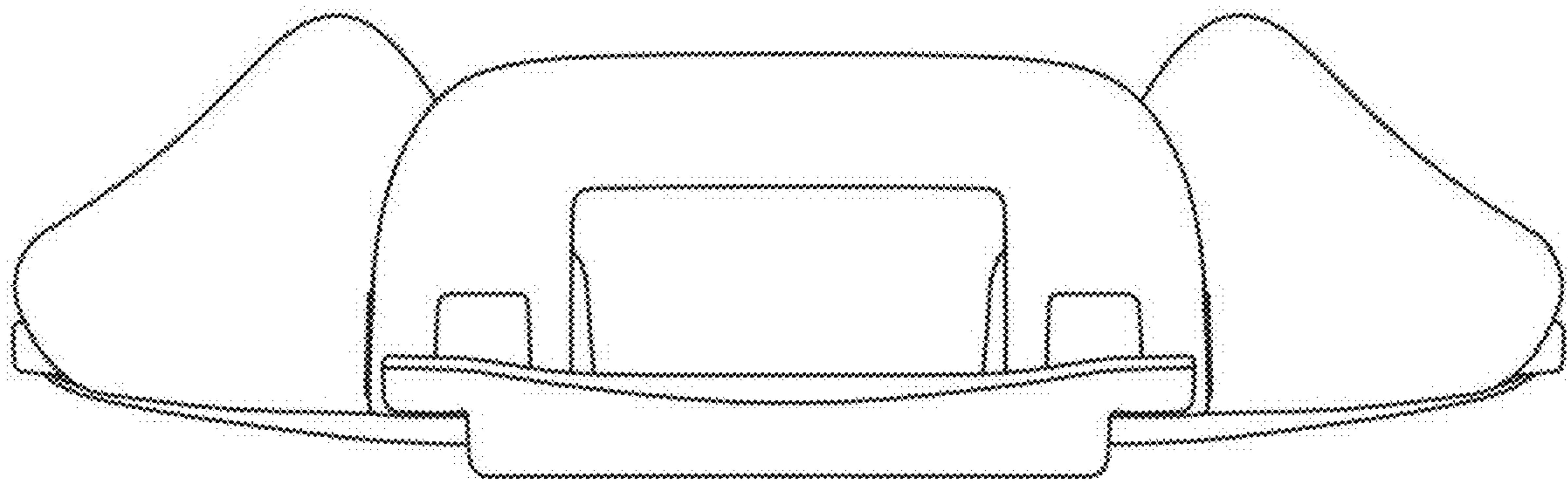


FIG. 5

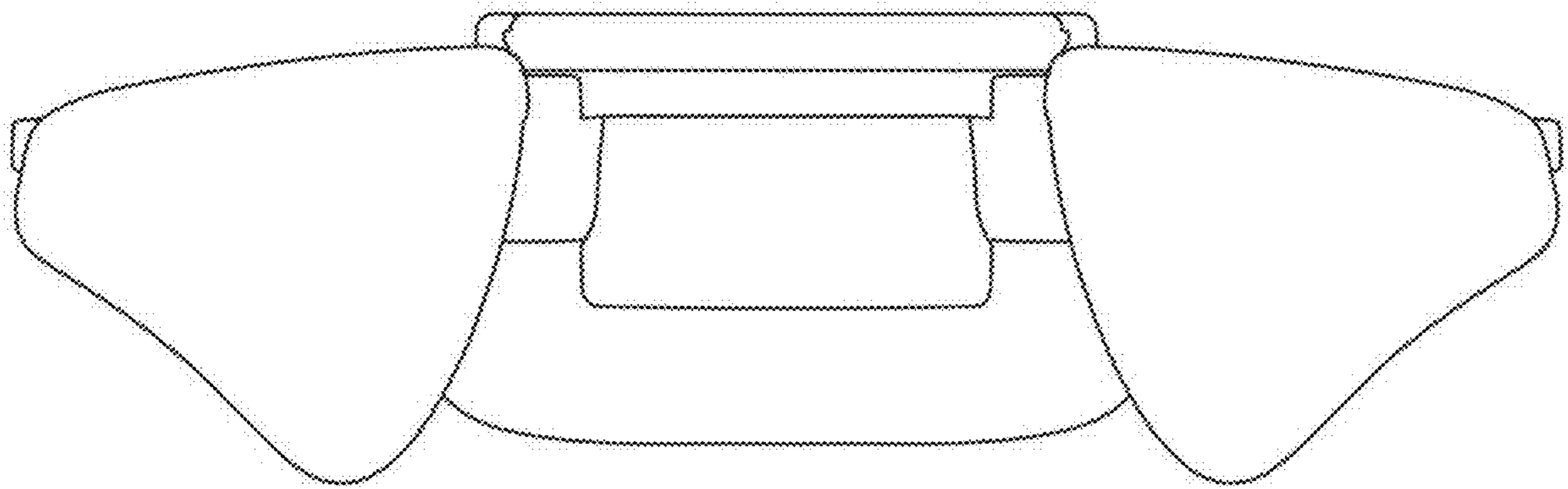


FIG. 6

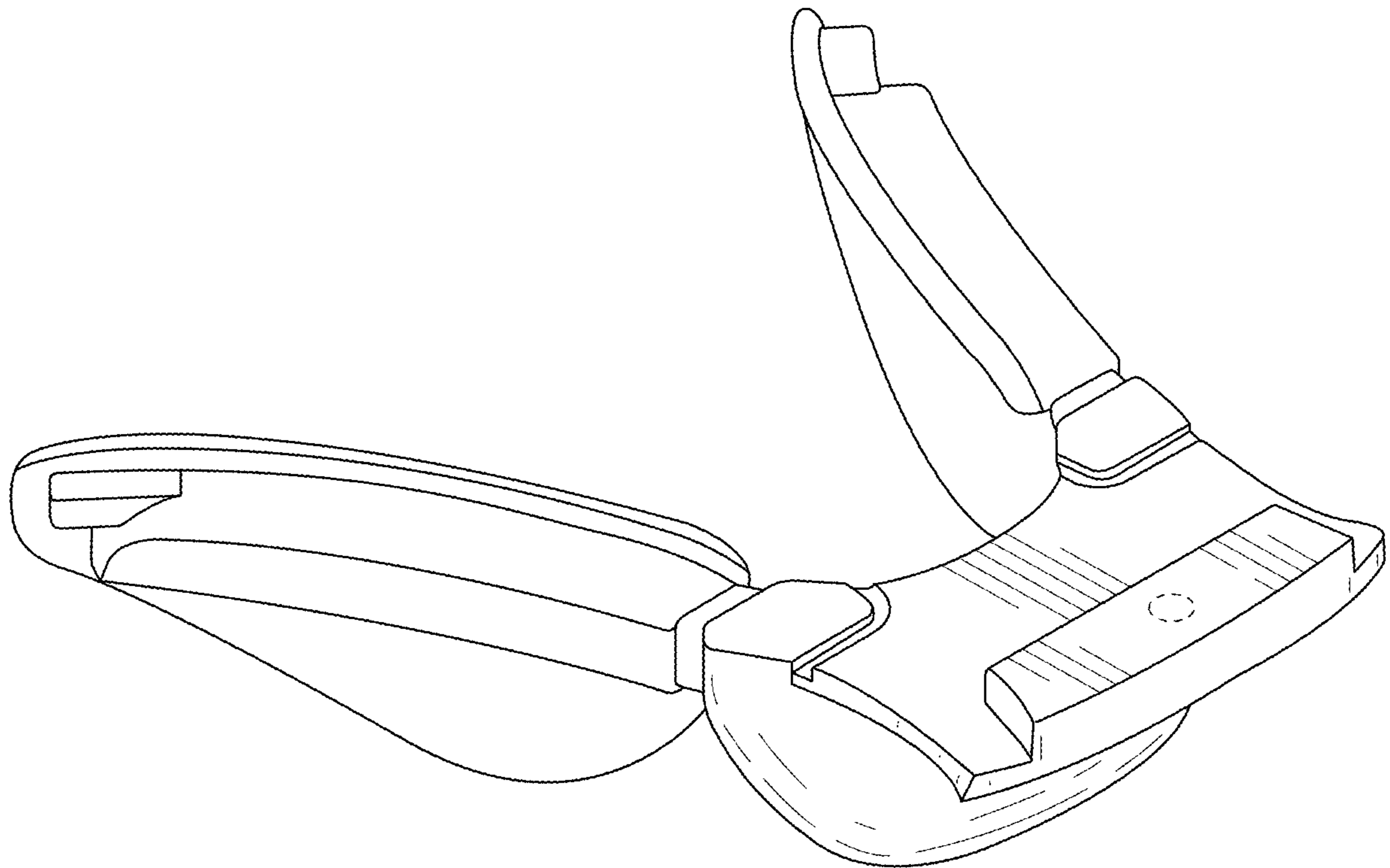


FIG. 7

FIG. 8

