



US00D877233S

(12) **United States Design Patent** (10) **Patent No.:** **US D877,233 S**  
**Li et al.** (45) **Date of Patent:** **\*\* Mar. 3, 2020**

(54) **SINGLE AXIS HANDHELD STABILIZER**  
(71) Applicant: **Guangdong Sirui Optical Co., Ltd.,**  
**Zhongshan (CN)**  
(72) Inventors: **Jie Li, Zhongshan (CN); Jieyong Chen,**  
**Zhongshan (CN)**  
(73) Assignee: **GUANGDONG SIRUI OPTICAL**  
**CO., LTD., Zhongshan (CN)**

D783,012 S \* 4/2017 Lee ..... D14/253  
D787,499 S \* 5/2017 Lee ..... D14/253  
D805,076 S \* 12/2017 Hong ..... D14/388  
D807,371 S \* 1/2018 Bertelle ..... D14/447  
D815,104 S \* 4/2018 Bertelle ..... D14/447  
D828,865 S \* 9/2018 Zeng ..... D16/242  
D829,808 S \* 10/2018 Frisancho Vera ..... D16/245  
2016/0124210 A1 \* 5/2016 Ross ..... G02B 23/16  
359/399

(\*\*) Term: **15 Years**  
(21) Appl. No.: **29/633,878**  
(22) Filed: **Jan. 17, 2018**

(30) **Foreign Application Priority Data**  
Sep. 6, 2017 (CN) ..... 2017 3 0419858  
(51) **LOC (12) Cl.** ..... **16-05**  
(52) **U.S. Cl.**  
USPC ..... **D16/243; D14/253**  
(58) **Field of Classification Search**  
USPC ..... D16/219, 237-250; D14/224, 229, 238,  
D14/251, 253, 447, 451, 457; D8/354,  
D8/355, 363, 373, 382-383, 394-396  
CPC ..... F16M 11/06-10; F16M 11/14; G02B  
7/00-002; G03B 17/56; G03B  
17/561-568; H04N 5/2253-2254; A45F  
2200/0508-0533; A45F 5/00; A45F 5/10  
See application file for complete search history.

(56) **References Cited**  
**U.S. PATENT DOCUMENTS**  
D316,421 S \* 4/1991 Shinano ..... D16/202  
D684,980 S \* 6/2013 Chun ..... D14/447  
D714,775 S \* 10/2014 Yoo ..... D14/253  
D739,410 S \* 9/2015 Chun ..... D14/447  
9,159,309 B2 \* 10/2015 Liu ..... H04M 1/04  
D768,125 S \* 10/2016 Kim ..... D14/253  
D769,860 S \* 10/2016 Xiao ..... D14/253

**OTHER PUBLICATIONS**

World's first single axis video stabilizer with built in power bank.  
[online] Retrieved Nov. 26, 2018 from URL: <http://www.wewowstabilizer.com/fashion-stabilizer/54154698.html>.  
Pocket Phone stabilizer at its lightest and most affordable by SIRU.  
[online] Published Sep. 25, 2018. Retrieved Nov. 26, 2018 from  
URL: <https://www.kickstarter.com/projects/1983676546/pocket-phone-stabilizer-at-its-lightest-and-most-a>.

\* cited by examiner

*Primary Examiner* — Vy N Koenig  
(74) *Attorney, Agent, or Firm* — Loeb & Loeb LLP

(57) **CLAIM**

The ornamental design for a single axis handheld stabilizer, as shown and described.

**DESCRIPTION**

FIG. 1 is a perspective view of a single axis handheld stabilizer showing my new design;  
FIG. 2 is a front elevational view thereof;  
FIG. 3 is a rear elevational view thereof;  
FIG. 4 is a right side elevational view thereof;  
FIG. 5 is a left side elevational view thereof;  
FIG. 6 is a top view thereof; and,  
FIG. 7 is a bottom view thereof.  
The broken lines in the drawings depict portions of the single axis handheld stabilizer that form no part of the claimed design.

**1 Claim, 7 Drawing Sheets**

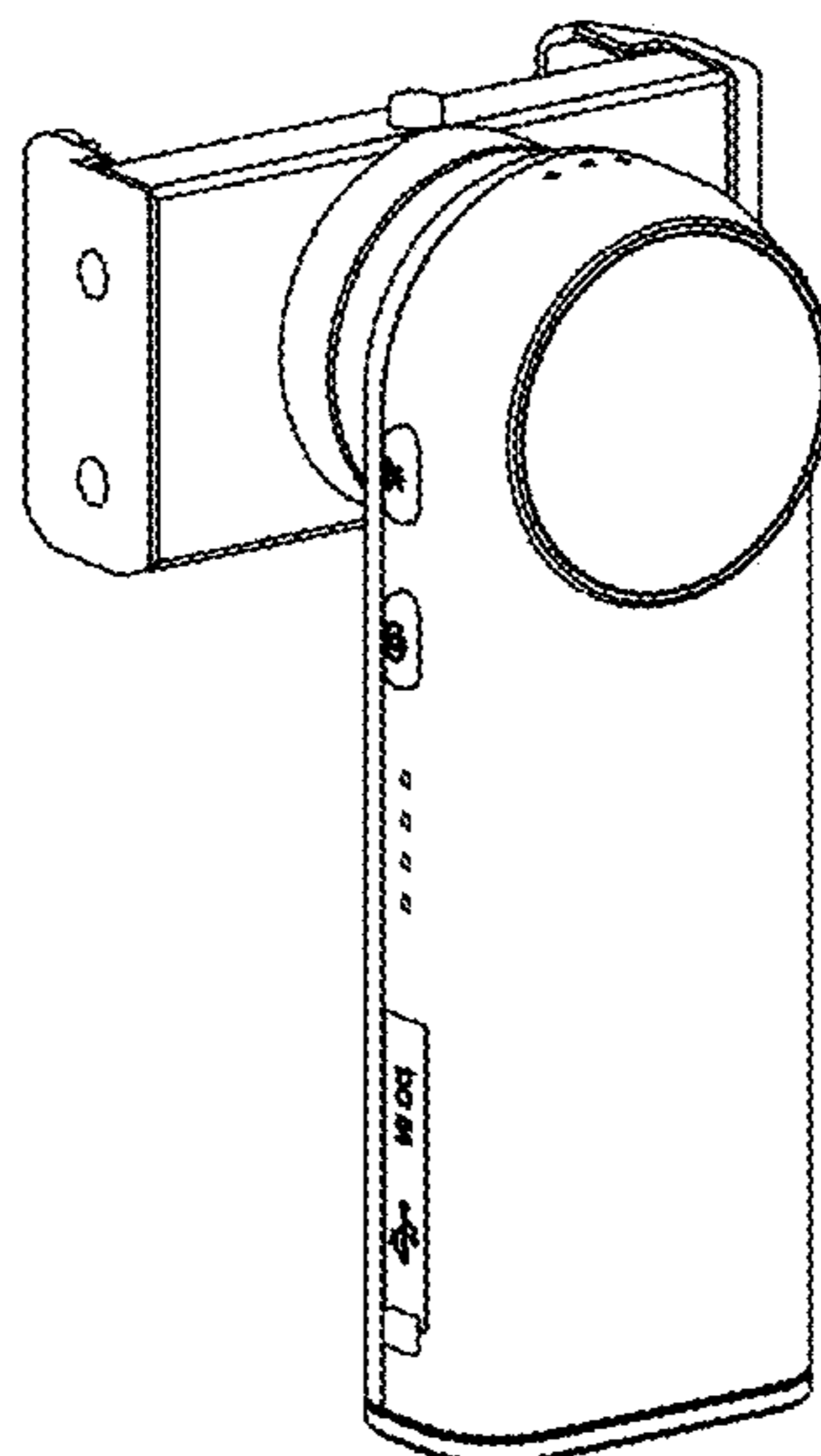


FIG. 1

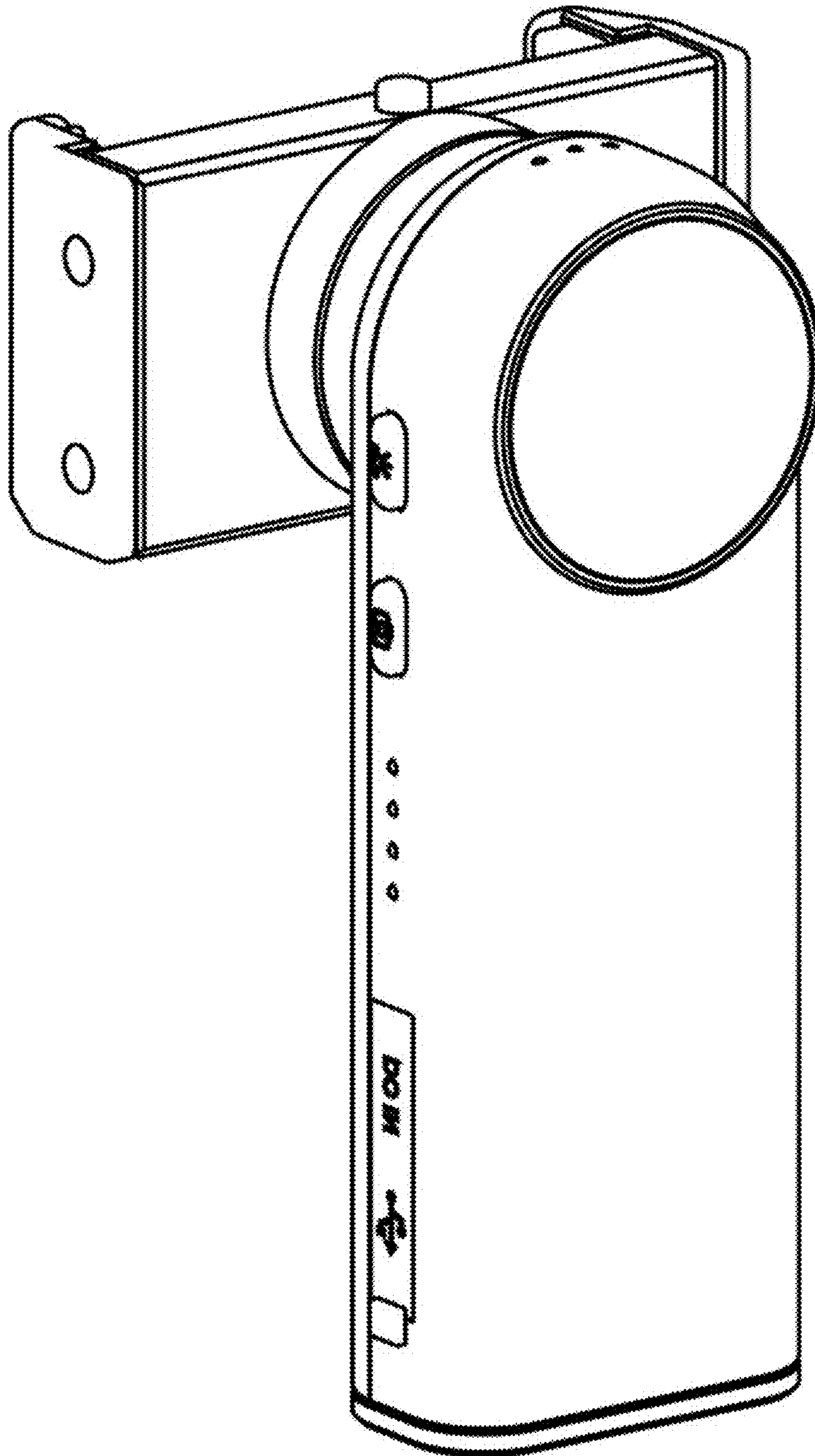


FIG. 2

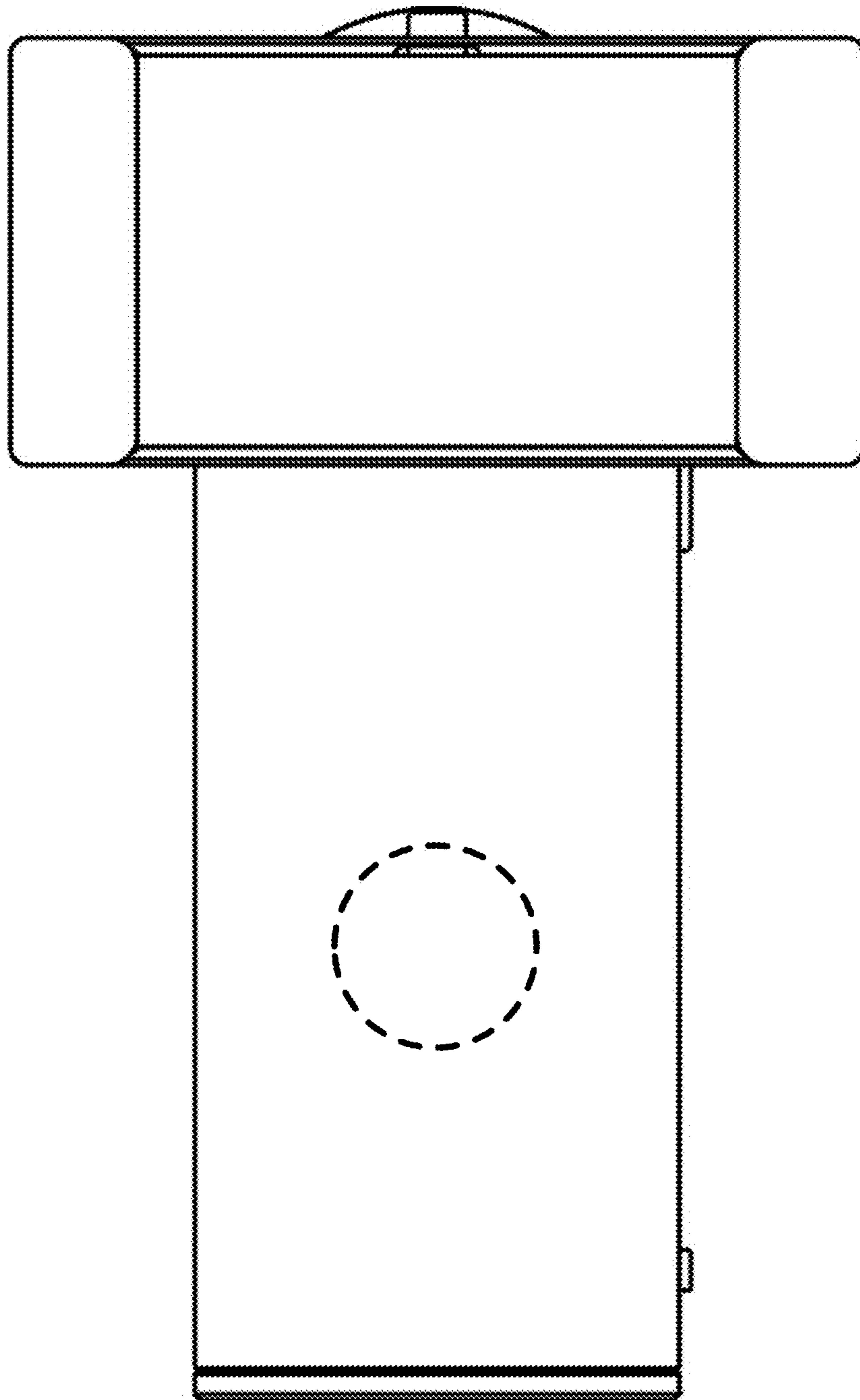


FIG. 3

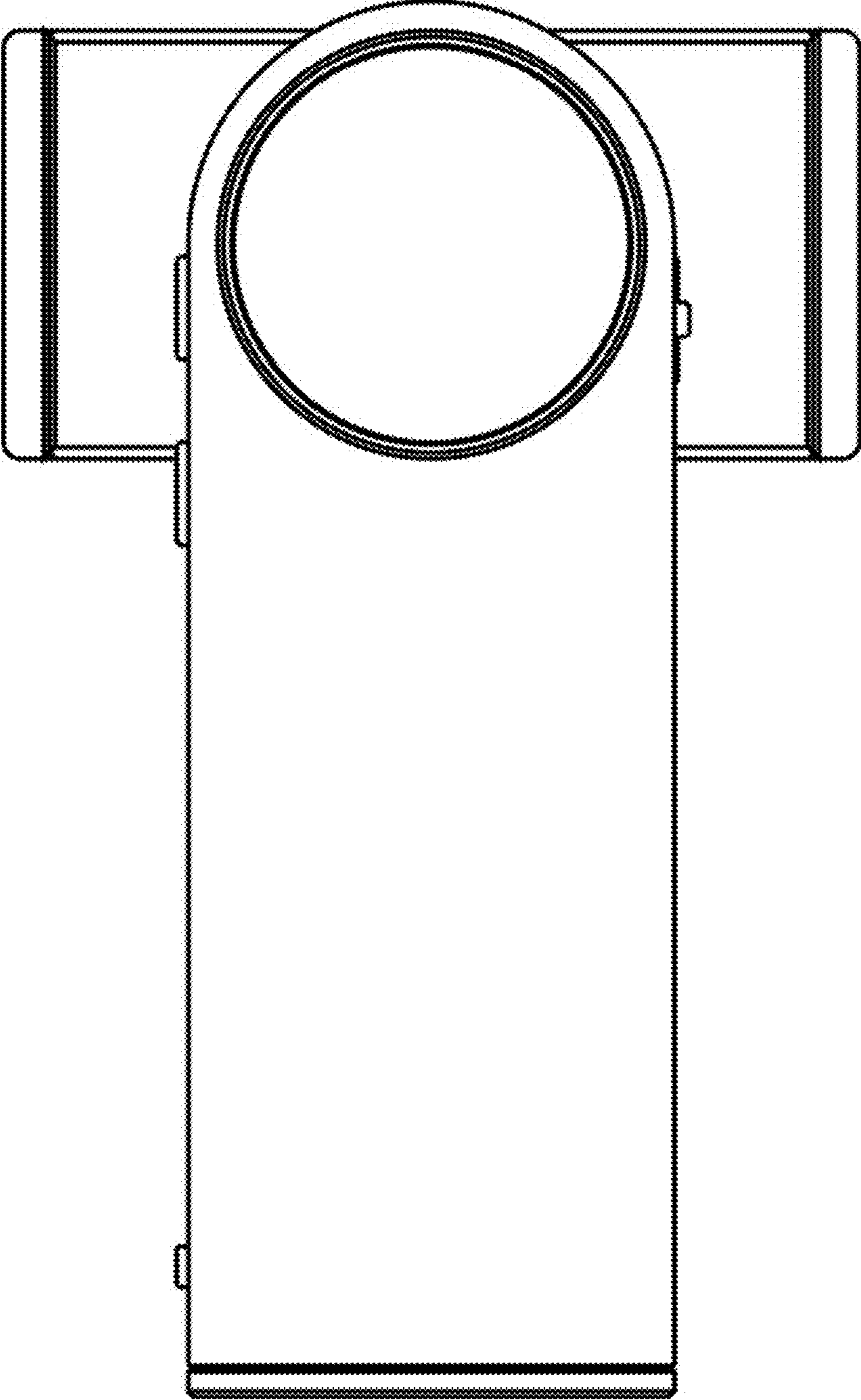


FIG. 4

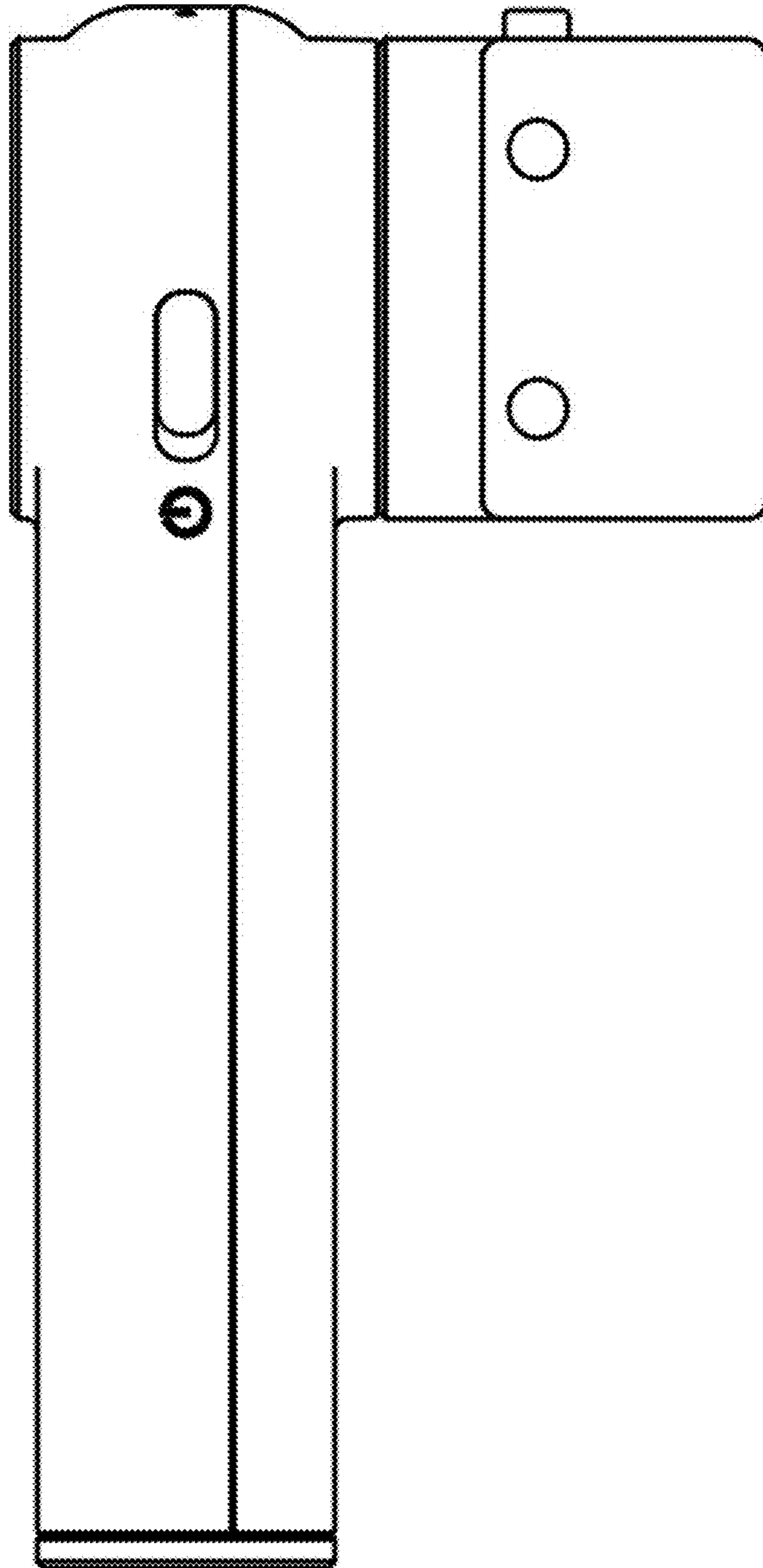


FIG. 5

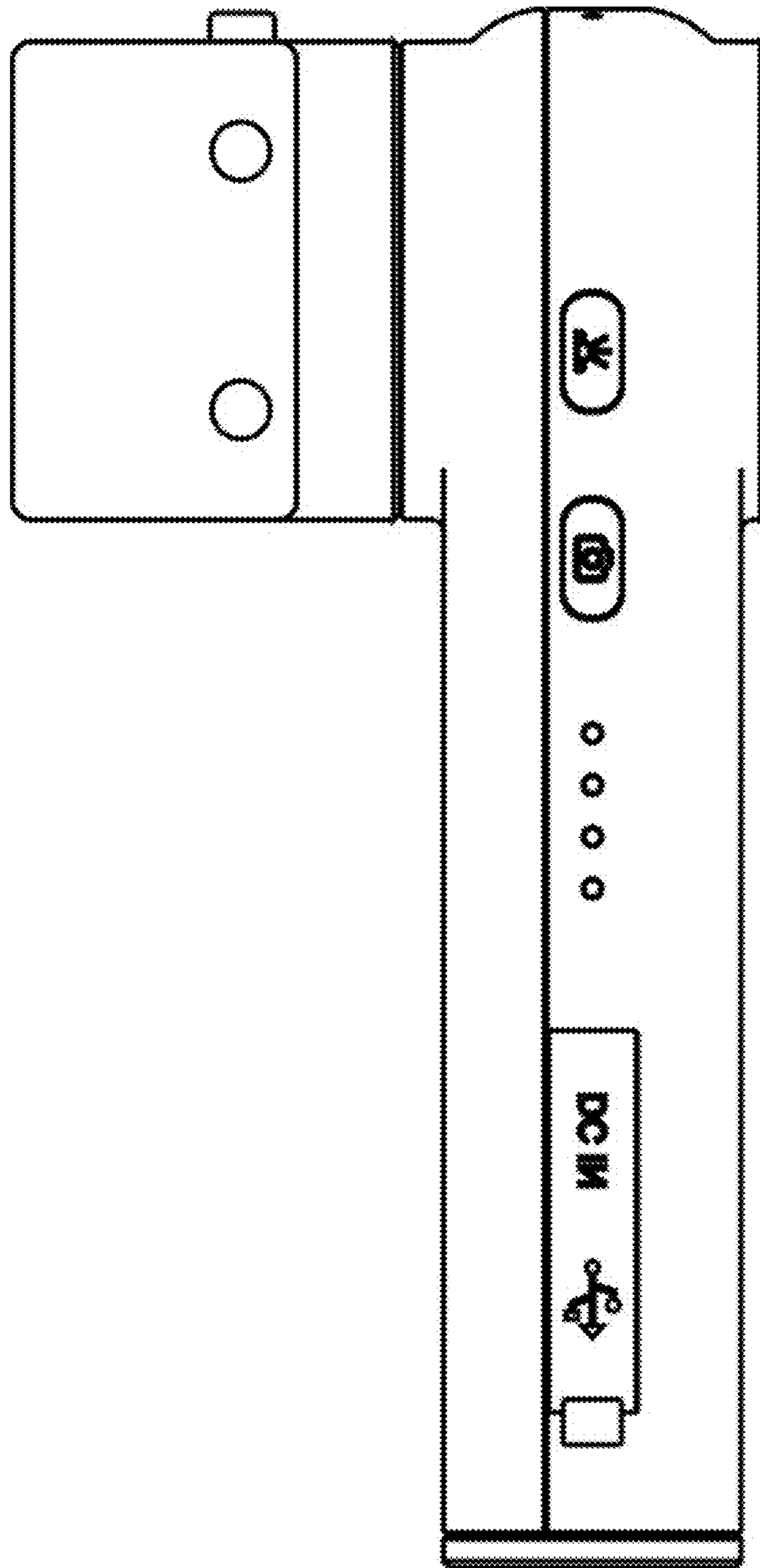


FIG. 6

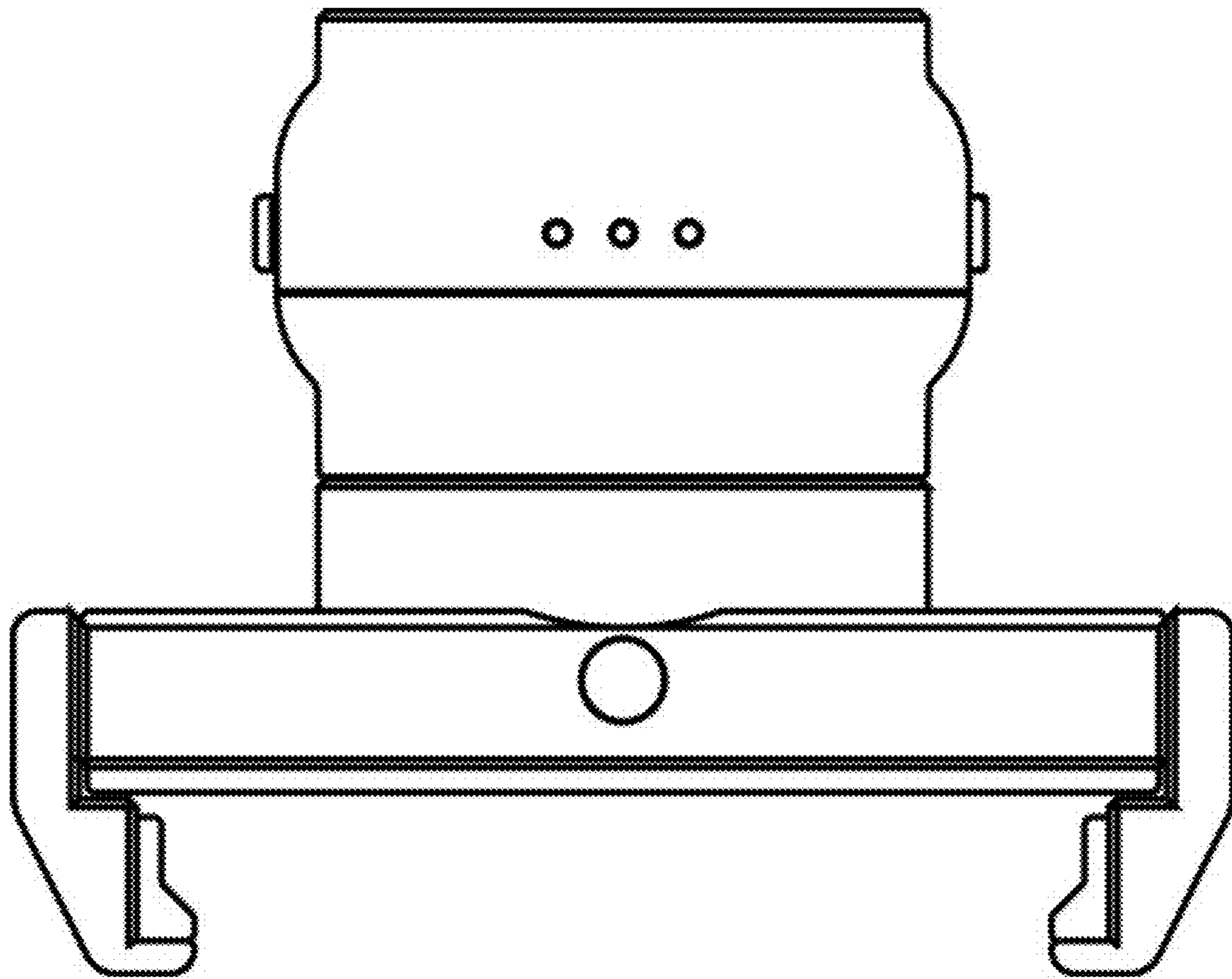


FIG. 7

