



US00D877232S

(12) **United States Design Patent**
Chou et al.

(10) **Patent No.:** **US D877,232 S**
(45) **Date of Patent:** **** Mar. 3, 2020**

(54) **CAMERA**
(71) Applicant: **Acer Incorporated**, New Taipei (TW)
(72) Inventors: **Yun-Ju Chou**, New Taipei (TW);
Jung-Wei Tsao, New Taipei (TW)
(73) Assignee: **Acer Incorporated**, New Taipei (TW)
(**) Term: **15 Years**
(21) Appl. No.: **29/661,835**
(22) Filed: **Aug. 31, 2018**

D264,343 S * 5/1982 Che D16/210
7,604,423 B2 * 10/2009 Nagata G03B 19/07
348/375
8,587,715 B2 * 11/2013 Takeda H04R 5/027
348/373
D713,439 S * 9/2014 Zhang D16/208
D852,867 S * 7/2019 Chang D16/202

FOREIGN PATENT DOCUMENTS

TW D140699 5/2011
TW D141376 7/2011
TW D173086 1/2016
TW D186030 10/2017

OTHER PUBLICATIONS

www.heix.cn, "Google Joins Hands With Lenovo and Yi to Launch VR 180 Series VR Cameras, Expected to Hit Shelves in Spring," Jan. 11, 2018, Available at: <https://itw01.com/8U73EIT.html>.

* cited by examiner

Primary Examiner — Ramzi S Almatrahi
(74) *Attorney, Agent, or Firm* — JCIPRNET

(30) **Foreign Application Priority Data**
Apr. 24, 2018 (TW) 107302286
(51) **LOC (12) Cl.** **16-05**
(52) **U.S. Cl.**
USPC **D16/219; D16/210**
(58) **Field of Classification Search**
USPC D16/134, 136, 200, 208, 213–219, 235,
D16/237–245, 250; D14/203.4, 209, 217,
D14/218, 224, 250–253, 345, 440, 449;
D8/349, 363, 373, 382, 394; 348/143,
348/148, 151, 373–376
CPC G03B 17/02–17/04; G03B 17/14; G03B
17/56; G03B 17/561–568; G03B
21/20–2066; G03B 15/041–0436; G02B
7/02–04; G02B 7/14; H04N 5/2251–2554;
F16M 11/02; F16M 11/20; F16M 11/40
See application file for complete search history.

(57) **CLAIM**

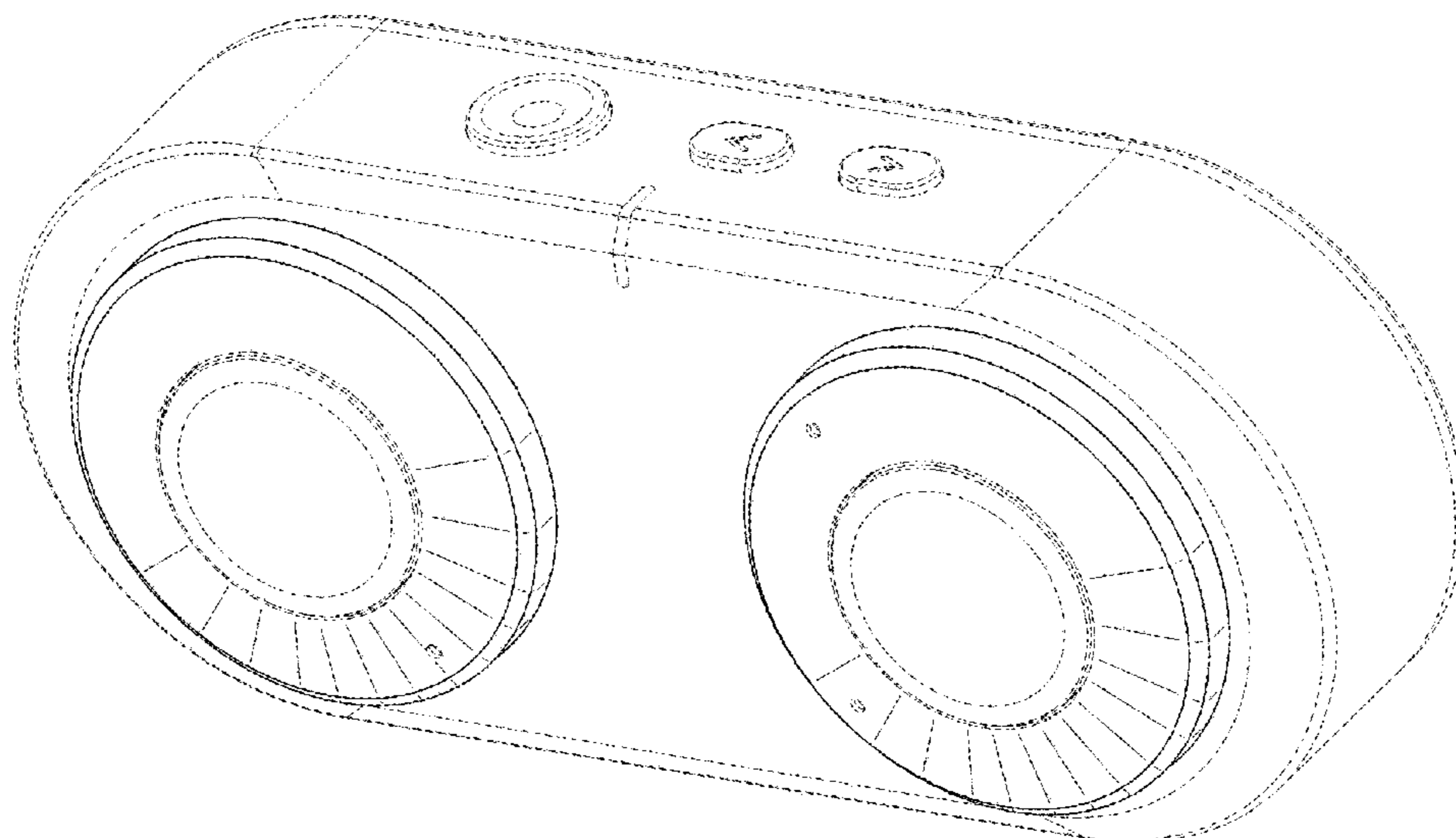
The ornamental design for a camera, as shown and described.

DESCRIPTION

FIG. 1 is a perspective view of a camera showing our new design;
FIG. 2 is a front view thereof;
FIG. 3 is a rear view thereof;
FIG. 4 is a left side view thereof;
FIG. 5 is a right side view thereof;
FIG. 6 is a top view thereof; and,
FIG. 7 is a bottom view thereof.
The broken lines depict portions of the camera in which the design is embodied that form no part of the claimed design.

1 Claim, 6 Drawing Sheets

(56) **References Cited**
U.S. PATENT DOCUMENTS
D150,517 S * 8/1948 Rochwite D16/210
D154,525 S * 7/1949 Winkler D26/83
D167,577 S * 8/1952 Lamb D16/210
D178,365 S * 7/1956 Hertzler D16/210
D198,876 S * 8/1964 Kitrosser D16/210
D201,225 S * 5/1965 Kitrosser D16/210



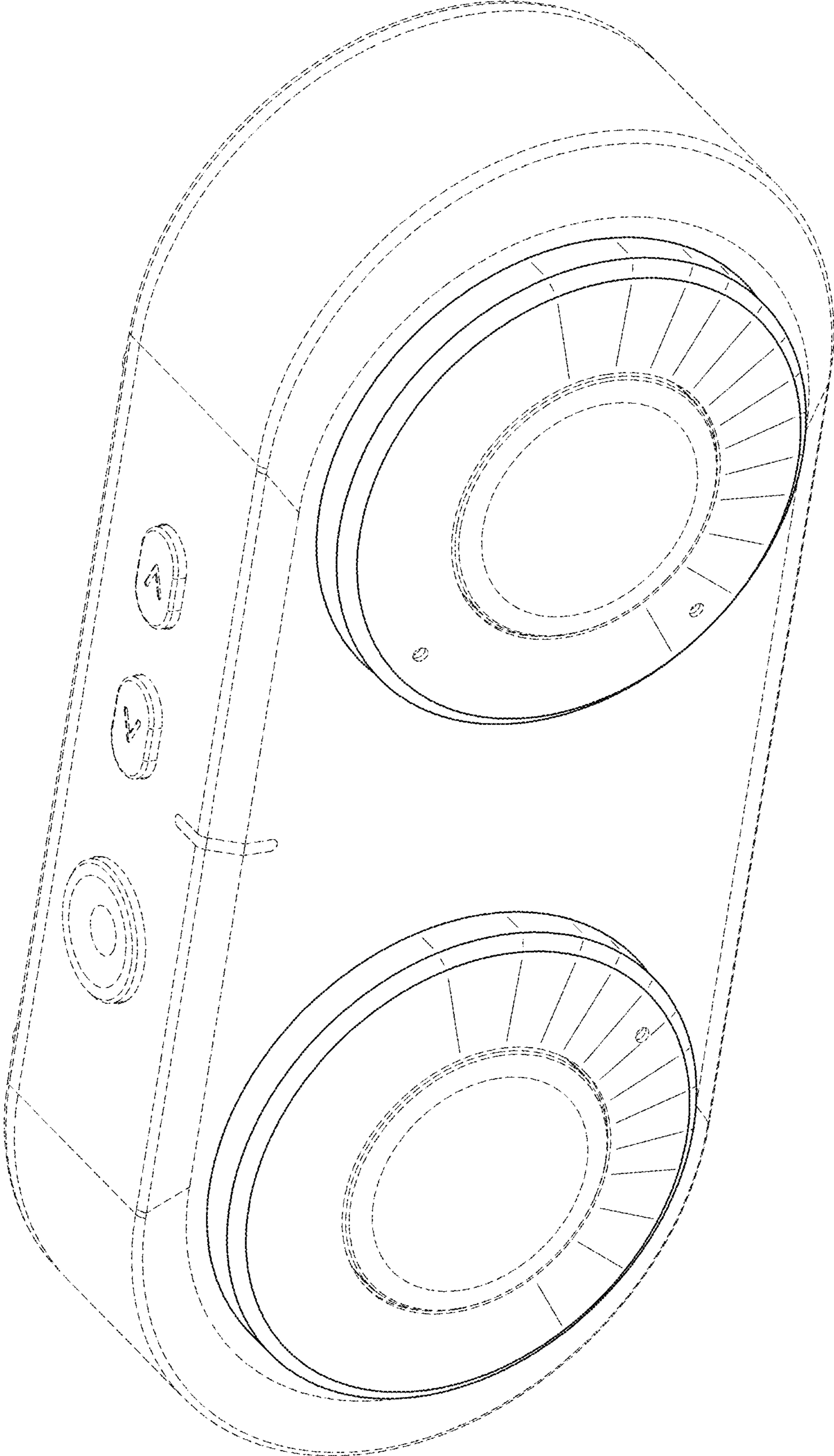


FIG. 1

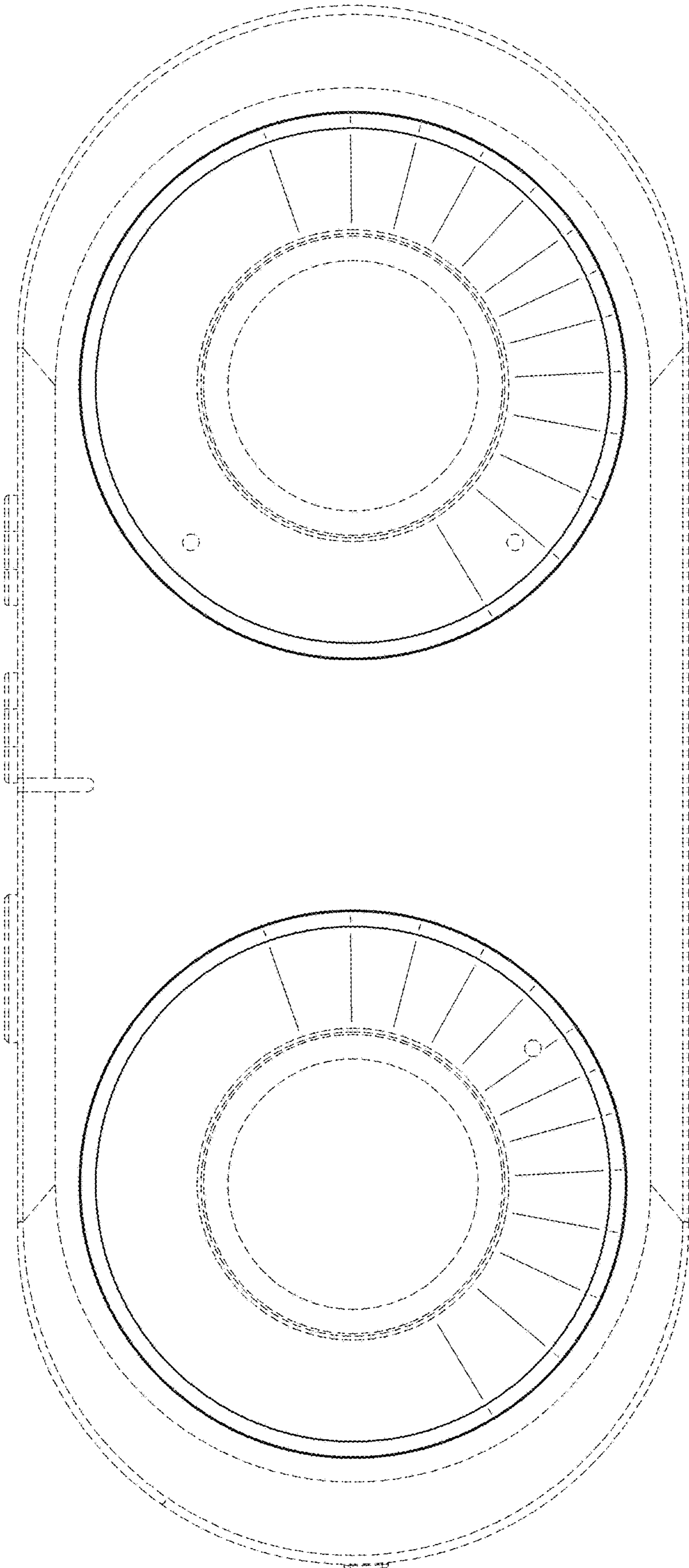


FIG. 2

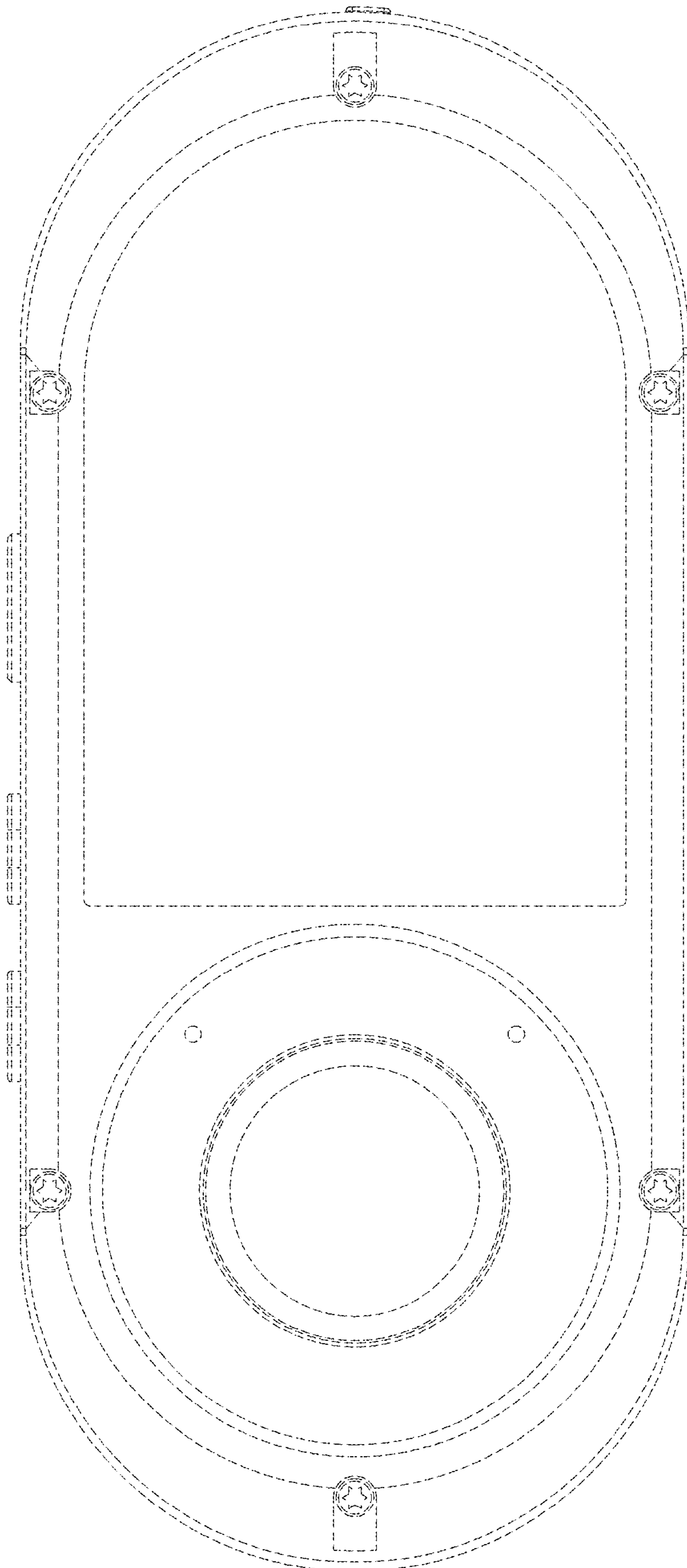


FIG. 3

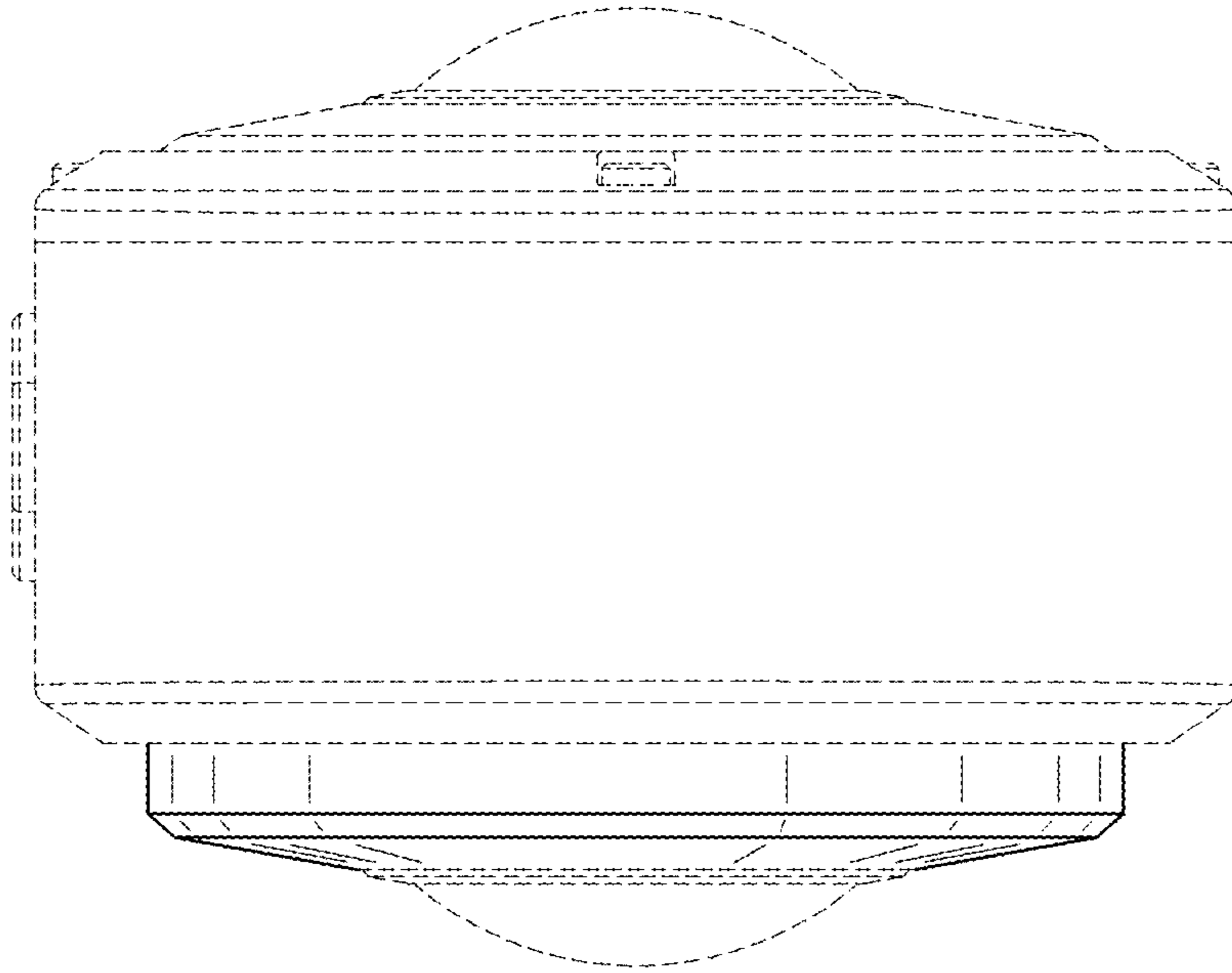


FIG. 5

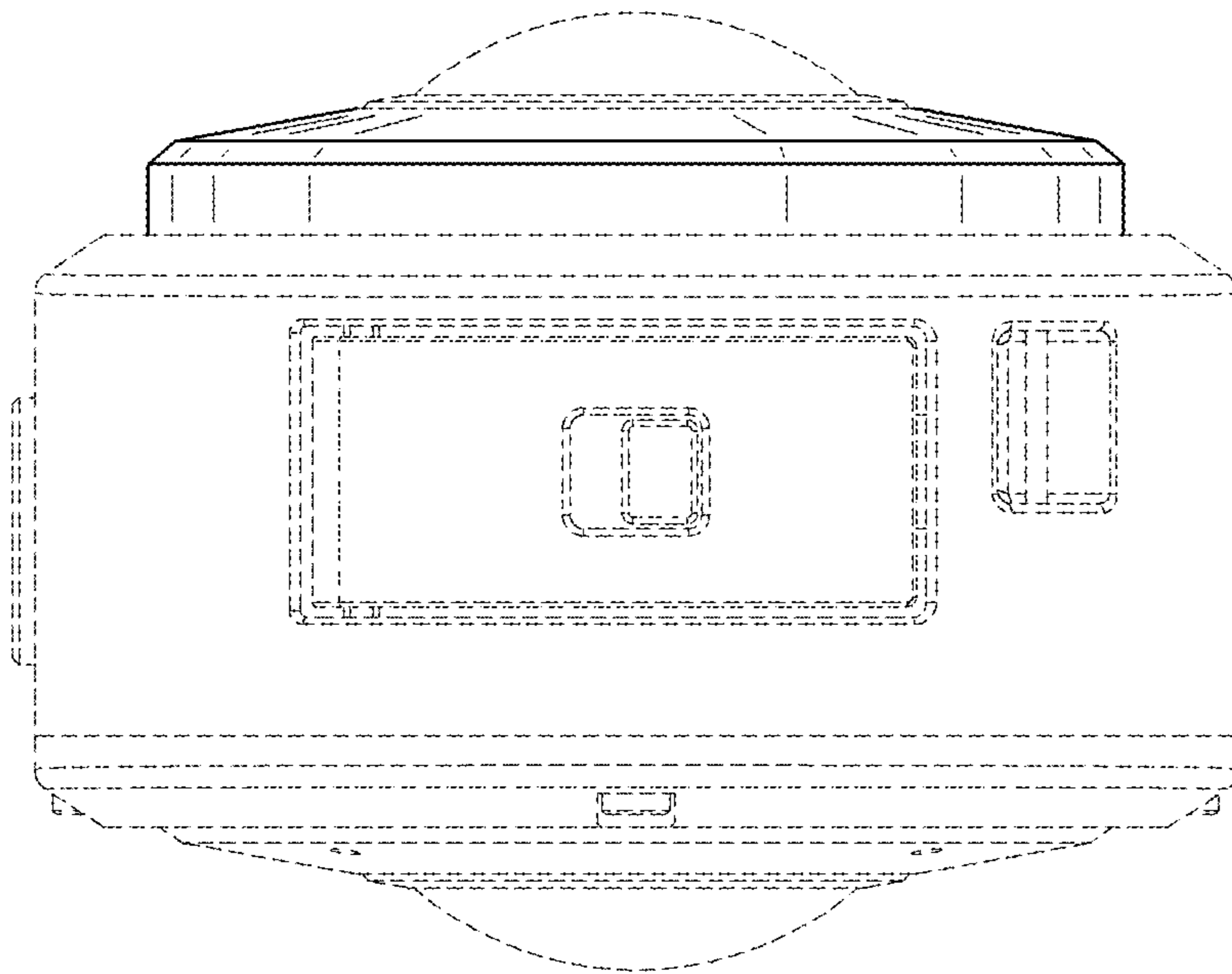


FIG. 4

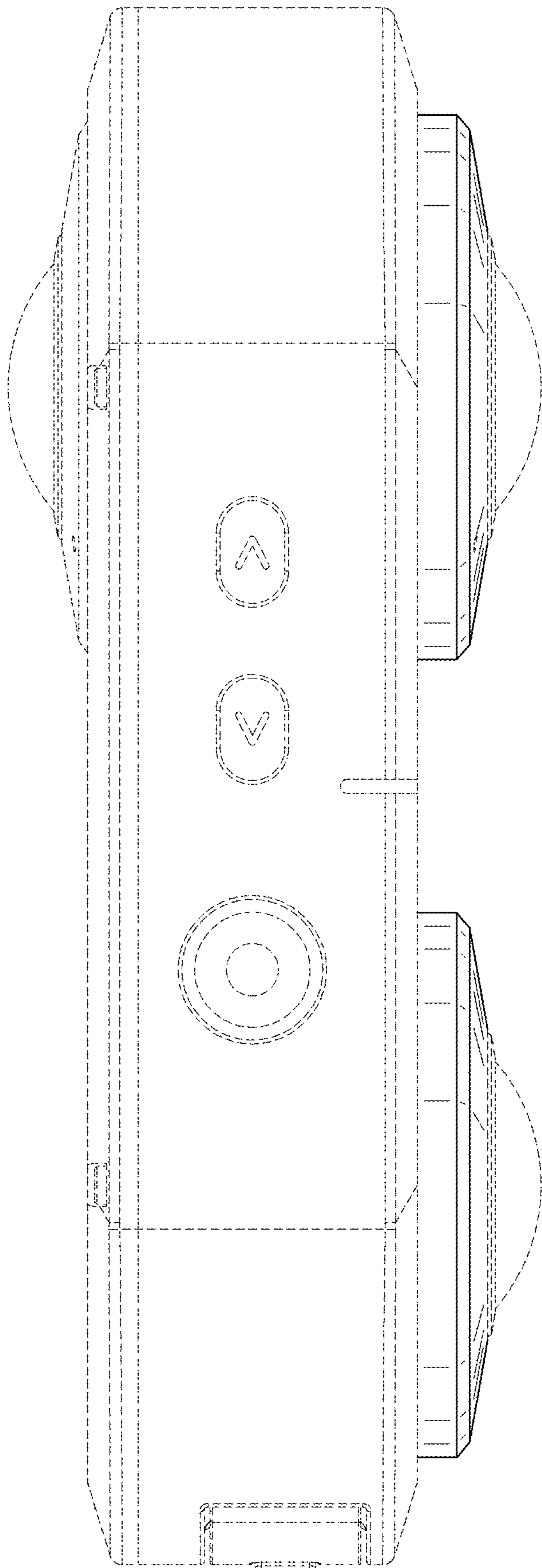


FIG. 6

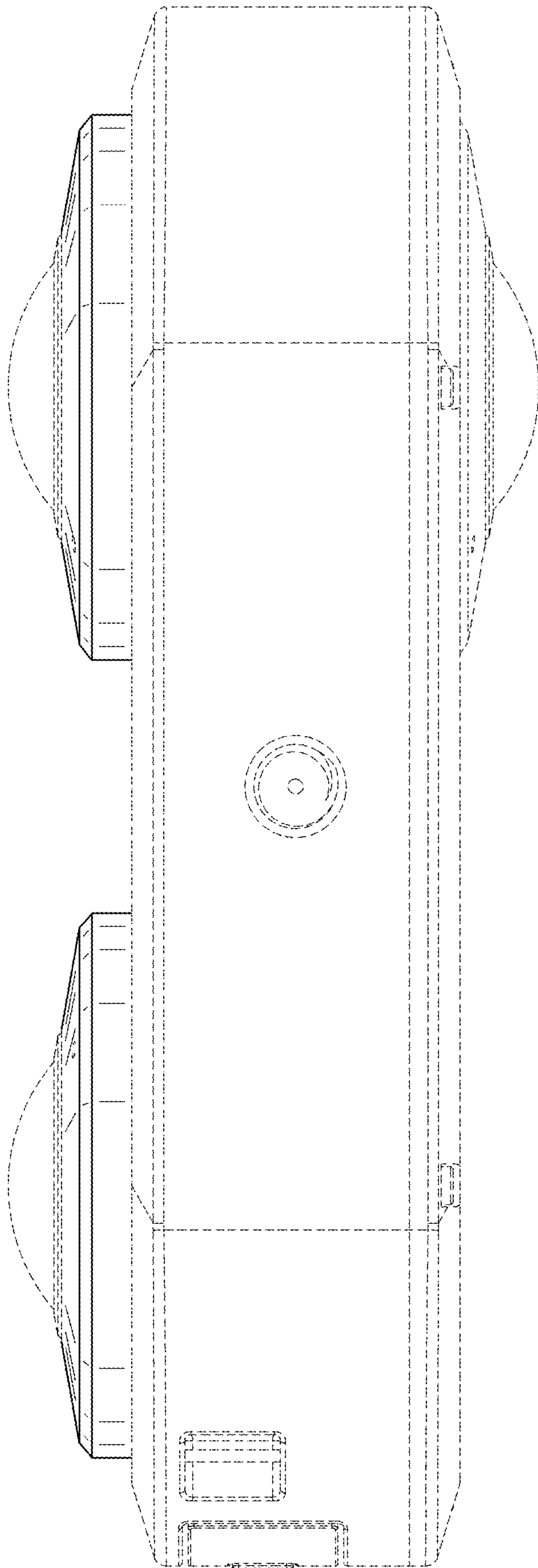


FIG. 7