



US00D877228S

(12) **United States Design Patent**
Han et al.

(10) **Patent No.:** **US D877,228 S**
(45) **Date of Patent:** **** Mar. 3, 2020**

(54) **SPORTS CAMERA**

(71) Applicant: **Shenzhen HDKing Electronics Co., Ltd, Guangdong (CN)**

(72) Inventors: **Bai Lin Han, Guangdong (CN); Yong Chun Ren, Guangdong (CN)**

(**) Term: **15 Years**

(21) Appl. No.: **29/653,152**

(22) Filed: **Jun. 13, 2018**

(51) **LOC (12) Cl.** **16-01**

(52) **U.S. Cl.**
USPC **D16/202; D16/218**

(58) **Field of Classification Search**
USPC D16/200–220, 131, 237, 242, 239, 250, D16/235, 130, 134, 136, 238; D14/138 C, 240, 248, 203.1, 203.3, 203.7, D14/218, 207; D10/104.1, 50, 65, 74, D10/70, 118.2, 106.6, 106.8; D6/542, D6/545
CPC . G02B 7/02; G02B 7/021; G02B 7/04; G02B 7/14; G02B 7/003; G03B 17/00; G03B 17/02; G03B 17/56; G03B 17/04; G03B 17/14; G03B 17/08; G03B 15/03; G03B 15/06; H04N 5/2251; H04N 5/2252; H04N 5/2253; H04N 5/2254; H04N 7/00; H04N 2101/00; F16M 13/00
See application file for complete search history.

(56) **References Cited**

U.S. PATENT DOCUMENTS

D719,992 S	*	12/2014	Peng	D16/202
D721,395 S	*	1/2015	Woodman	D16/218
D737,879 S	*	9/2015	Woodman	D16/218
D745,906 S	*	12/2015	Lee	D16/202
D750,686 S	*	3/2016	Chen	D16/218
D751,131 S	*	3/2016	Woodman	D16/218

D753,749 S	*	4/2016	Zhu	D16/202
D760,309 S	*	6/2016	Parfitt	D16/202
D766,351 S	*	9/2016	Li	D16/202
D769,346 S	*	10/2016	Nguyen	D16/218
D772,966 S	*	11/2016	Song	D16/200
D773,546 S	*	12/2016	Nguyen	D16/218
D775,254 S	*	12/2016	Parfitt	D16/202
D783,074 S	*	4/2017	Ham	D16/202
D785,692 S	*	5/2017	Wang	D16/200
D789,435 S	*	6/2017	Nguyen	D16/202
D790,001 S	*	6/2017	Parfitt	D16/202
D790,002 S	*	6/2017	Nguyen	D16/218
D791,848 S	*	7/2017	Zhu	D16/200

(Continued)

FOREIGN PATENT DOCUMENTS

CN	303579543	*	2/2016
CN	303842631	*	9/2016

(Continued)

Primary Examiner — T Chase Nelson

Assistant Examiner — Mary Claire Ramirez

(74) *Attorney, Agent, or Firm* — Prakash Nama; Global IP Services, PLLC

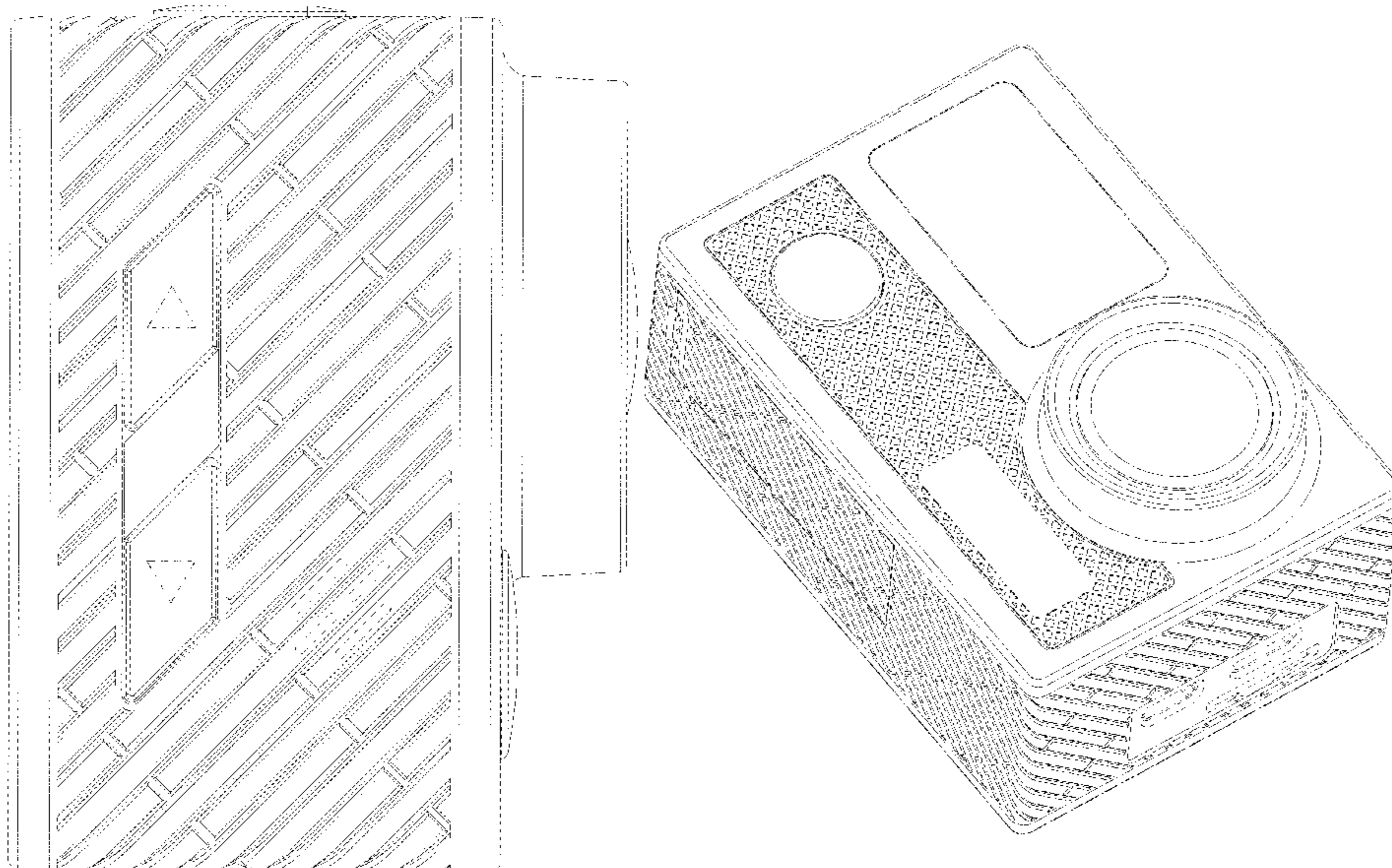
(57) **CLAIM**

The ornamental design for a sports camera, as shown and described.

DESCRIPTION

FIG. 1 is a front elevational view of a sports camera showing our new design;
FIG. 2 is a rear elevational view thereof;
FIG. 3 is a left side view shown in enlarged scale thereof;
FIG. 4 is a right side view shown in enlarged scale thereof;
FIG. 5 is a top plan view thereof;
FIG. 6 is a bottom plan view thereof; and,
FIG. 7 is a perspective view thereof.
The broken lines shown in the drawings depict portions of the sports camera that form no part of the claimed design.

1 Claim, 7 Drawing Sheets



(56)

References Cited

U.S. PATENT DOCUMENTS

D793,463 S * 8/2017 Houin D16/202
 D794,696 S * 8/2017 Nguyen D16/218
 D798,929 S * 10/2017 Zhou D16/200
 D805,117 S * 12/2017 Nguyen D16/218
 D806,775 S * 1/2018 Nguyen D16/218
 9,904,148 B1 * 2/2018 Druker G03B 17/561
 D816,753 S * 5/2018 Zhang D16/202
 D820,335 S * 6/2018 Fave D16/202
 D832,905 S * 11/2018 Liu D16/202
 D836,696 S * 12/2018 Zhang D16/202
 D837,865 S * 1/2019 Parfitt D16/219
 D839,335 S * 1/2019 Zhang D16/202
 D840,463 S * 2/2019 Nguyen D16/218
 D849,084 S * 5/2019 Hu D16/202
 D850,513 S * 6/2019 Gan D16/218
 D852,255 S * 6/2019 Guo D16/202
 D854,597 S * 7/2019 Gao D16/202
 D855,675 S * 8/2019 Luo D16/202

D856,392 S * 8/2019 Luo D16/202
 D857,076 S * 8/2019 Gan D16/202
 D865,843 S * 11/2019 Hu D16/218
 2014/0105589 A1 * 4/2014 Samuels F16F 7/00
 396/421
 2015/0009395 A1 * 1/2015 Ono H04N 5/2254
 348/360
 2017/0171435 A1 * 6/2017 Golik H04N 5/2252
 2017/0324890 A1 * 11/2017 Moskovchenko ... H04N 5/2252
 2018/0039162 A1 * 2/2018 Ali G03B 17/55

FOREIGN PATENT DOCUMENTS

CN 303959917 * 12/2016
 CN 304194973 * 7/2017
 CN 304542204 * 3/2018
 CN 304817262 * 9/2018
 EM 002989475-0001 * 2/2016
 EM 004130664-0001 * 8/2017

* cited by examiner

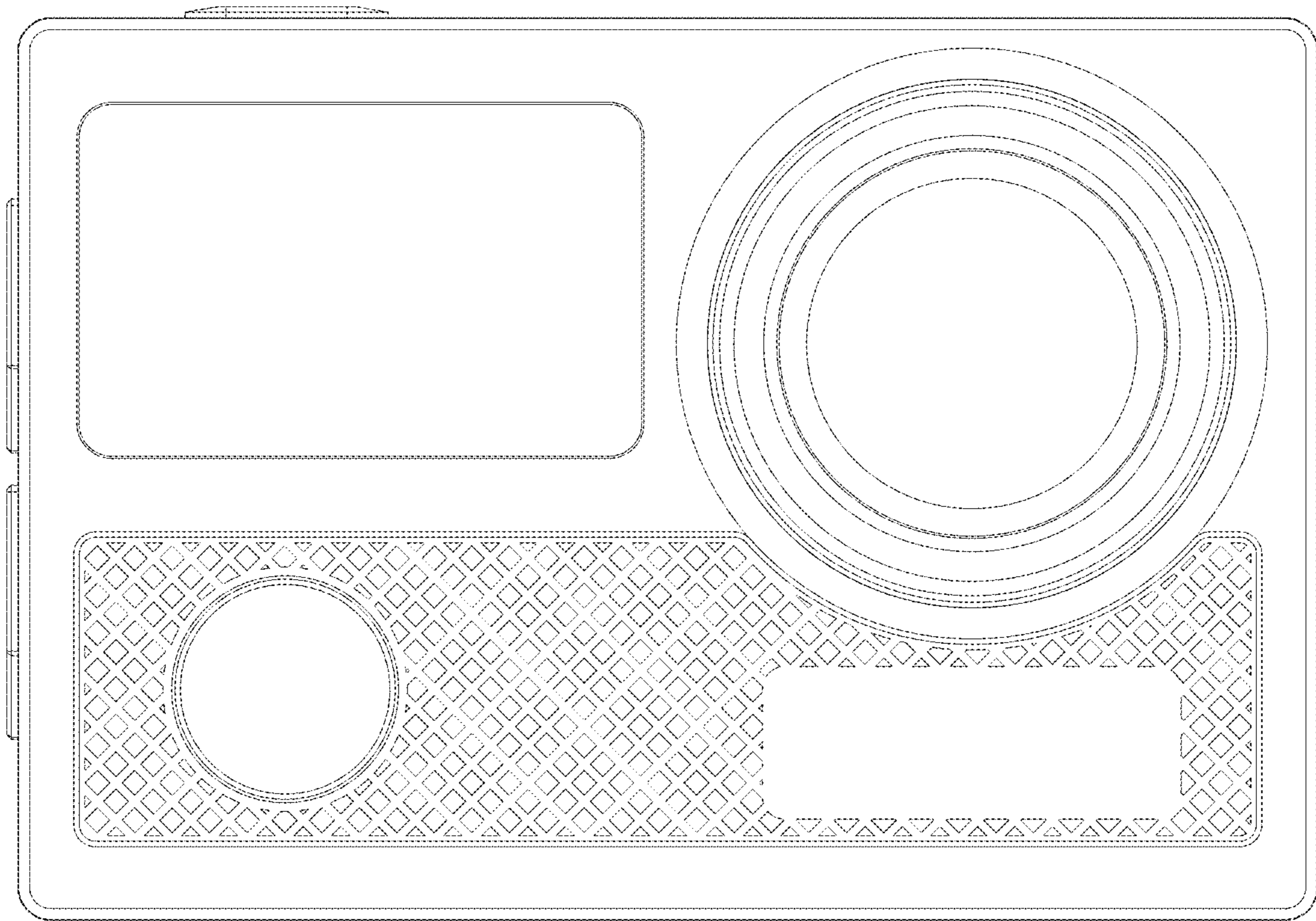


Fig. 1

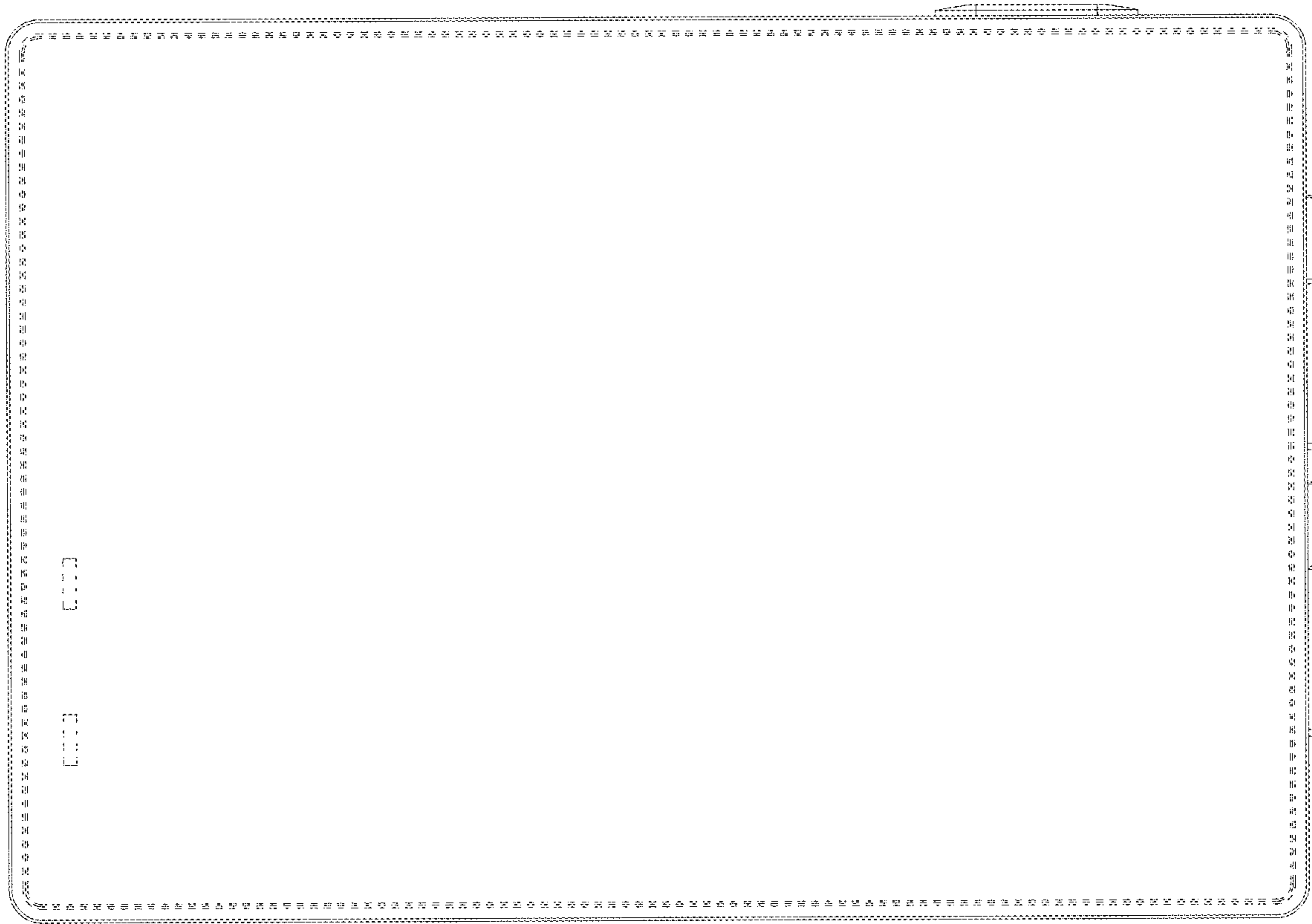


Fig. 2

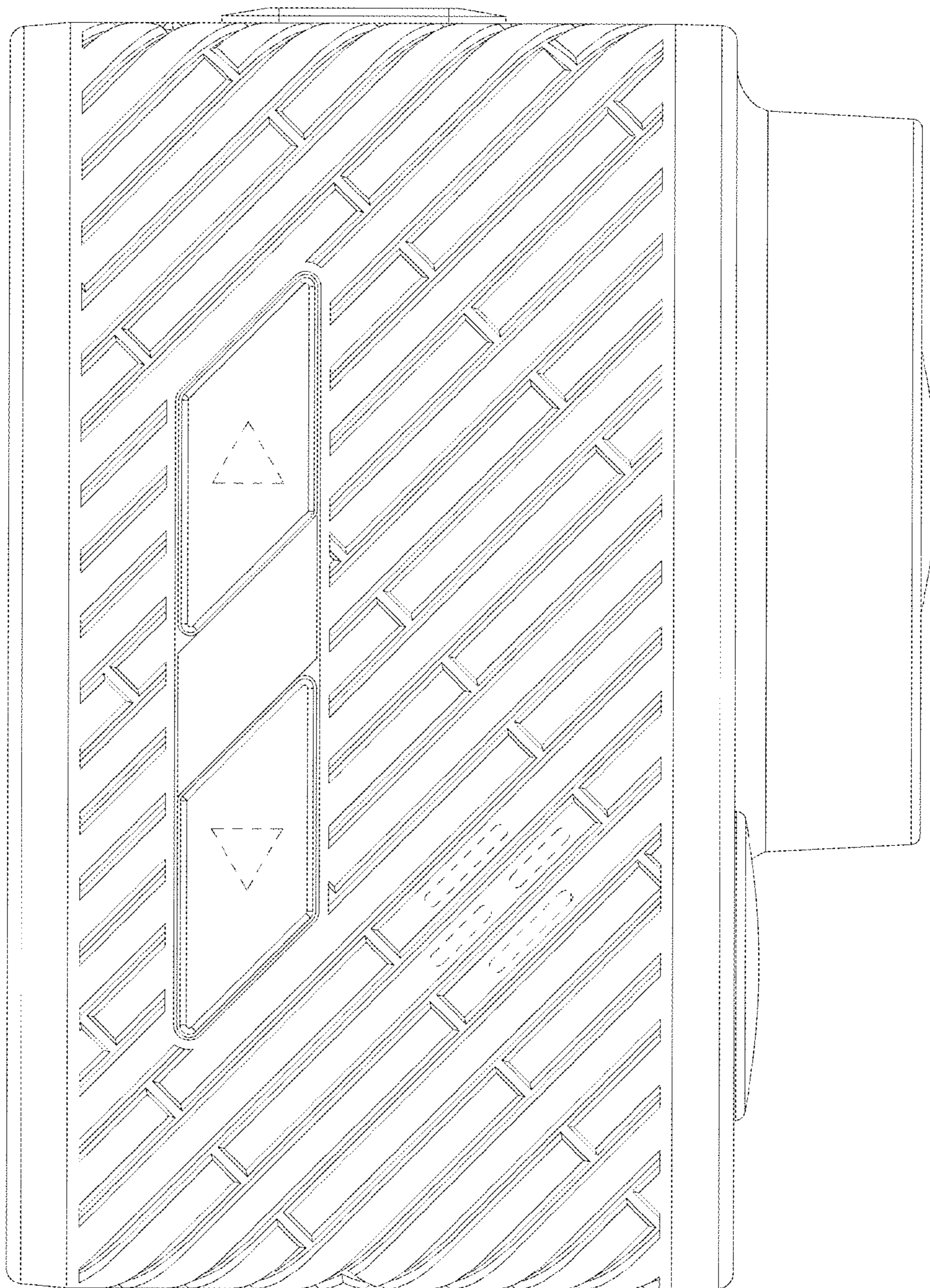


Fig. 3

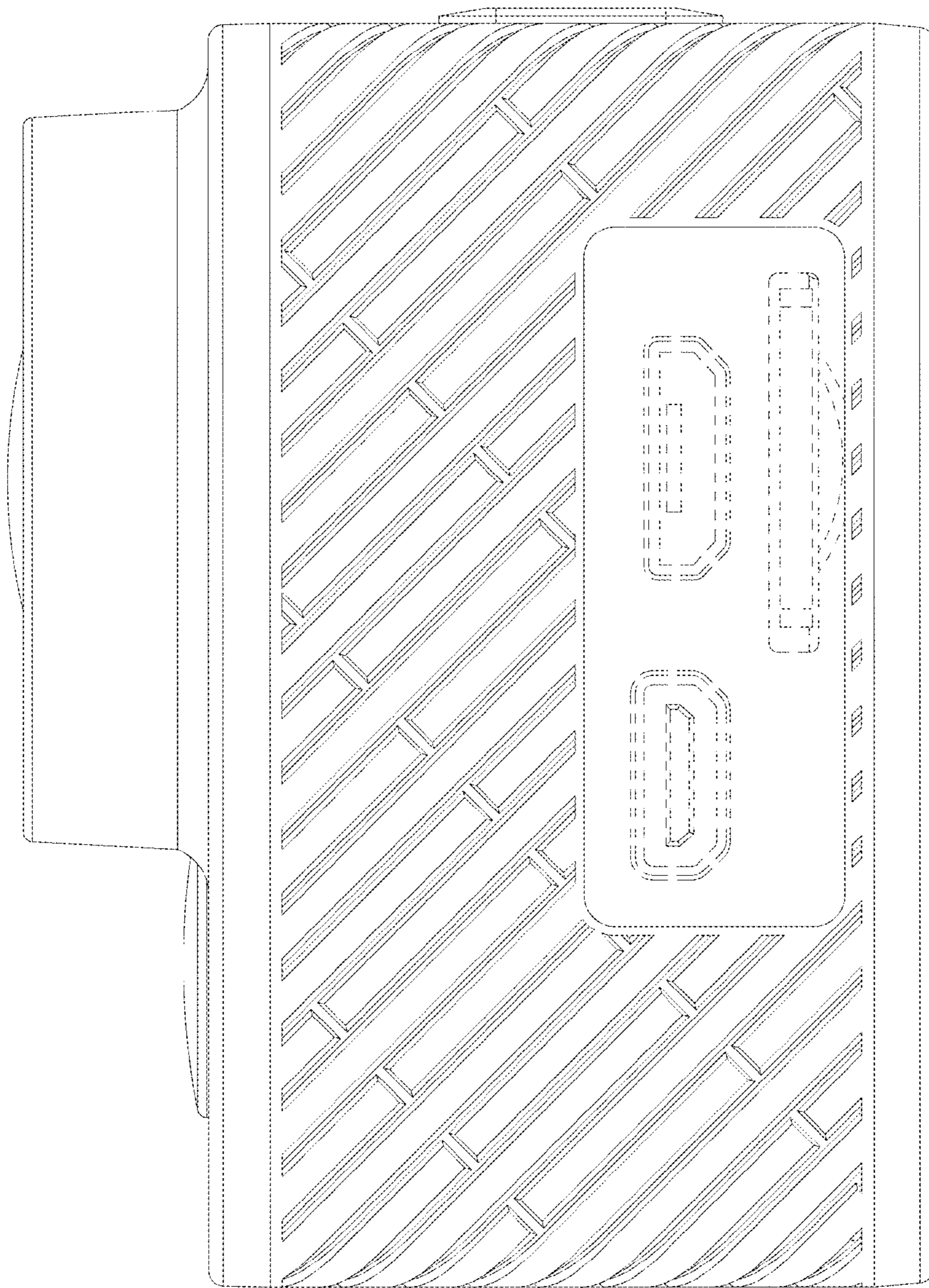


Fig. 4

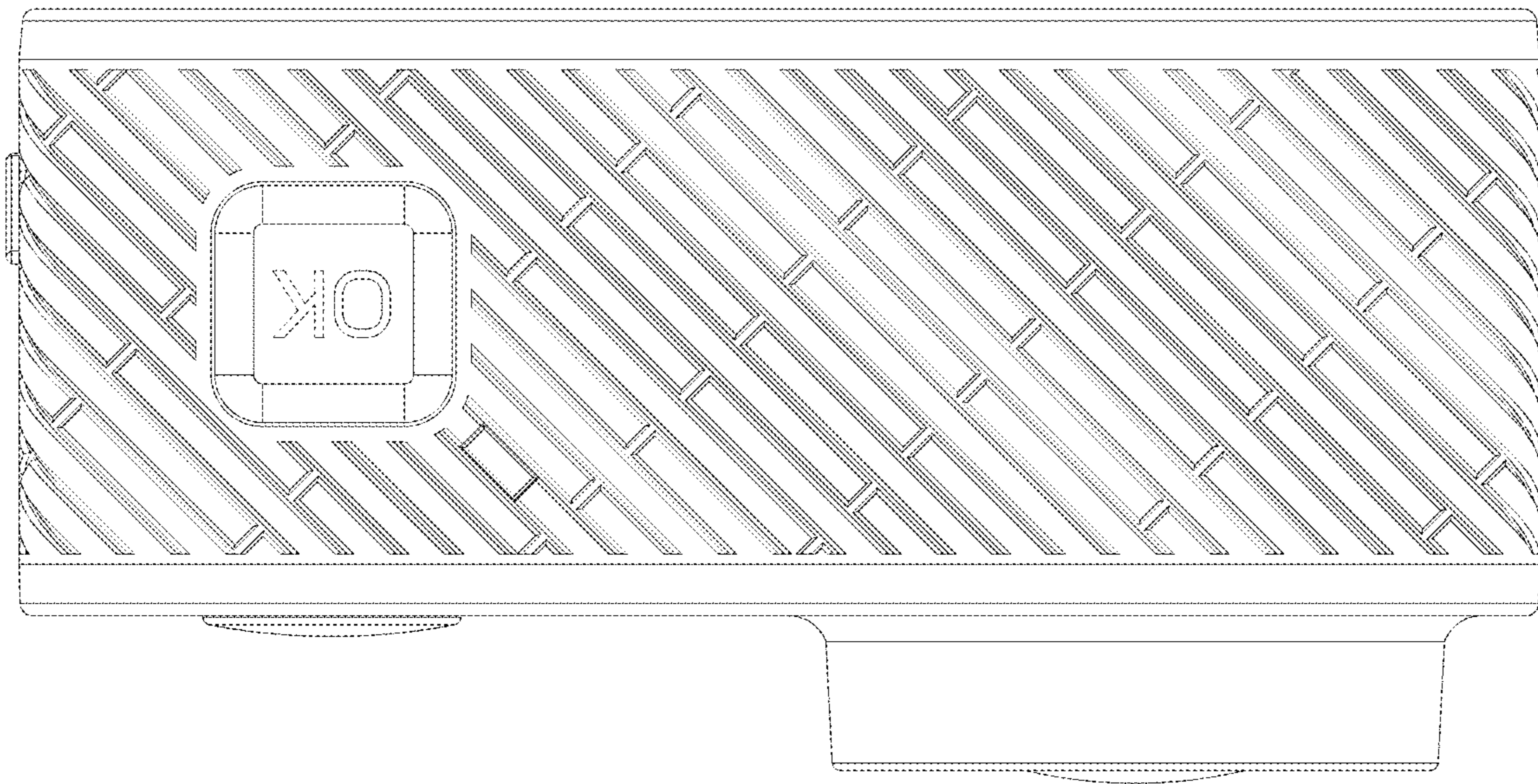


Fig. 5

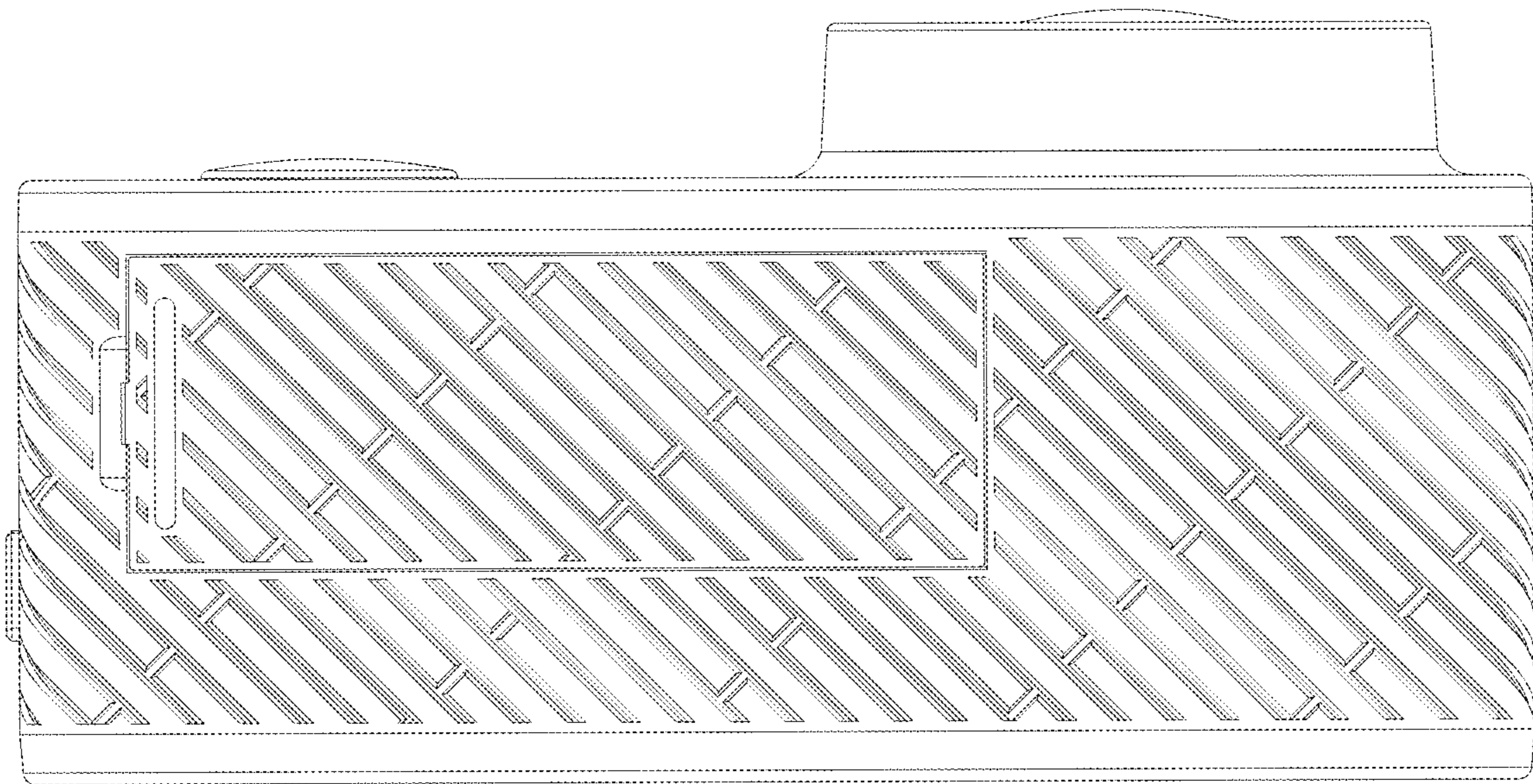


Fig. 6

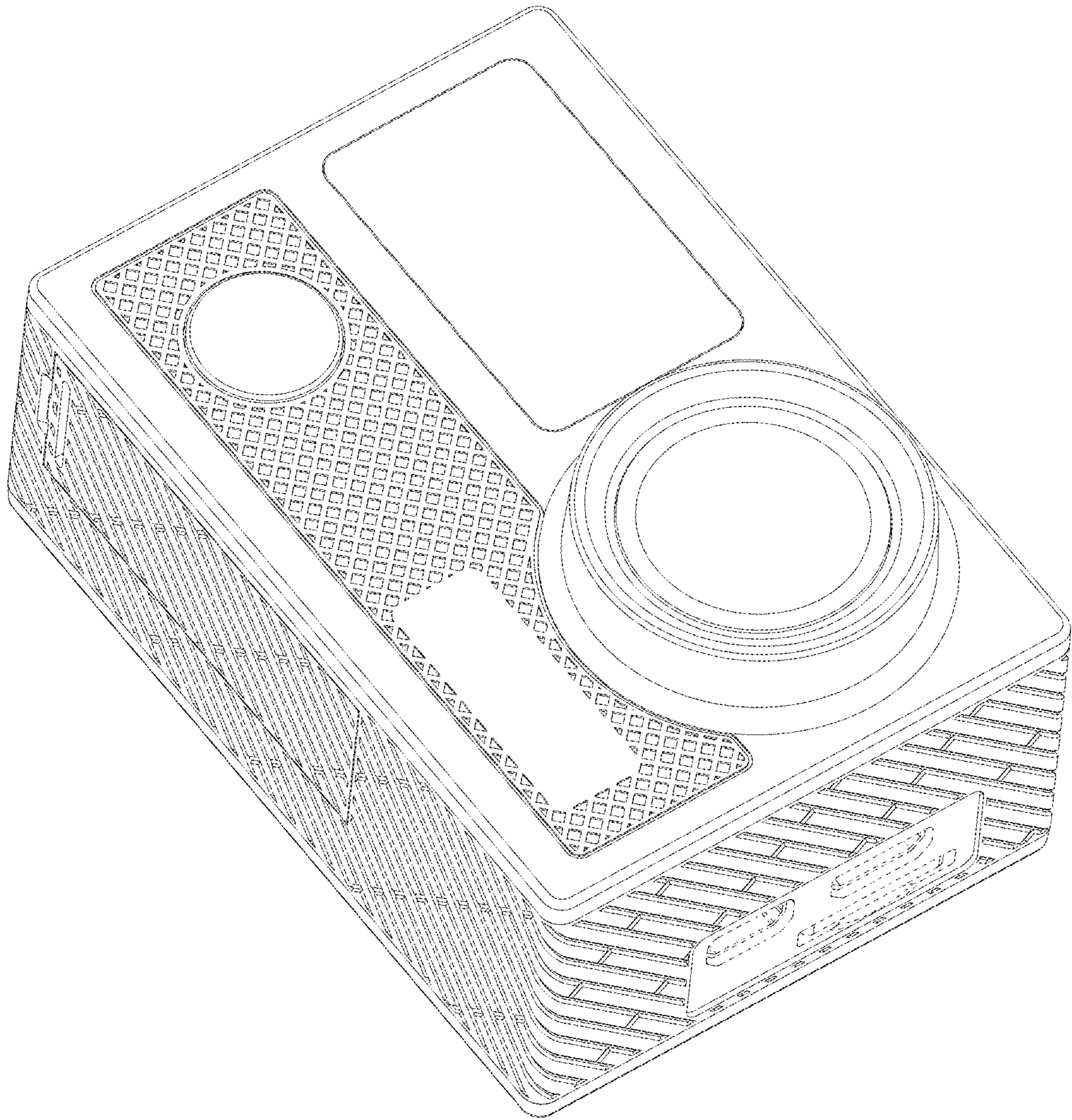


Fig. 7