



US00D877225S

(12) **United States Design Patent**
Franz et al.

(10) **Patent No.:** **US D877,225 S**

(45) **Date of Patent:** **** Mar. 3, 2020**

(54) **BEAM EXPANDER**

(71) Applicant: **JENOPTIK OPTICAL SYSTEMS GMBH, Jena (DE)**

(72) Inventors: **Stefan Franz, Jena (DE); Bernd Seher, Jena (DE)**

(73) Assignee: **JENOPTIK Optical Systems GmbH, Jena (DE)**

(**) Term: **15 Years**

(21) Appl. No.: **35/505,862**

(22) Filed: **Sep. 18, 2018**

(80) **Hague Agreement Data**

Int. Filing Date: **Sep. 18, 2018**

Int. Reg. No.: **DM/103032**

Int. Reg. Date: **Sep. 18, 2018**

Int. Reg. Pub. Date: **Oct. 12, 2018**

(30) **Foreign Application Priority Data**

May 31, 2018 (DE) 40 2018 100 531

(51) **LOC (12) Cl.** **16-06**

(52) **U.S. Cl.**
USPC **D16/130**

(58) **Field of Classification Search**
USPC D16/130, 134, 136, 219, 235, 237, 242,
D16/245

CPC .. G03B 17/566; G03B 17/565; G03B 25/001;
H04M 1/21

See application file for complete search history.

(56) **References Cited**

U.S. PATENT DOCUMENTS

D165,137 S *	11/1951	Gorin	D16/130
D215,851 S *	11/1969	Heininger	D16/130
D306,740 S *	3/1990	Nichols	D16/130
D377,184 S *	1/1997	Wells	D16/130
D387,787 S *	12/1997	Palmer	D16/130
D460,095 S *	7/2002	Yoneda	D16/130
D779,349 S *	2/2017	Kobayashi	D10/70
D779,981 S *	2/2017	Kobayashi	D10/70
D845,795 S *	4/2019	Kim	D10/70
D850,947 S *	6/2019	Vermillion	D10/70

* cited by examiner

Primary Examiner — Holly E Thurman

(74) *Attorney, Agent, or Firm* — Muncy, Geissler, Olds & Lowe, P.C.

(57) **CLAIM**

The ornamental design for a beam expander, as shown and described.

DESCRIPTION

2. Beam expanders

2.1 : Perspective

2.2 : Perspective

2.3 : Back

2.4 : Left

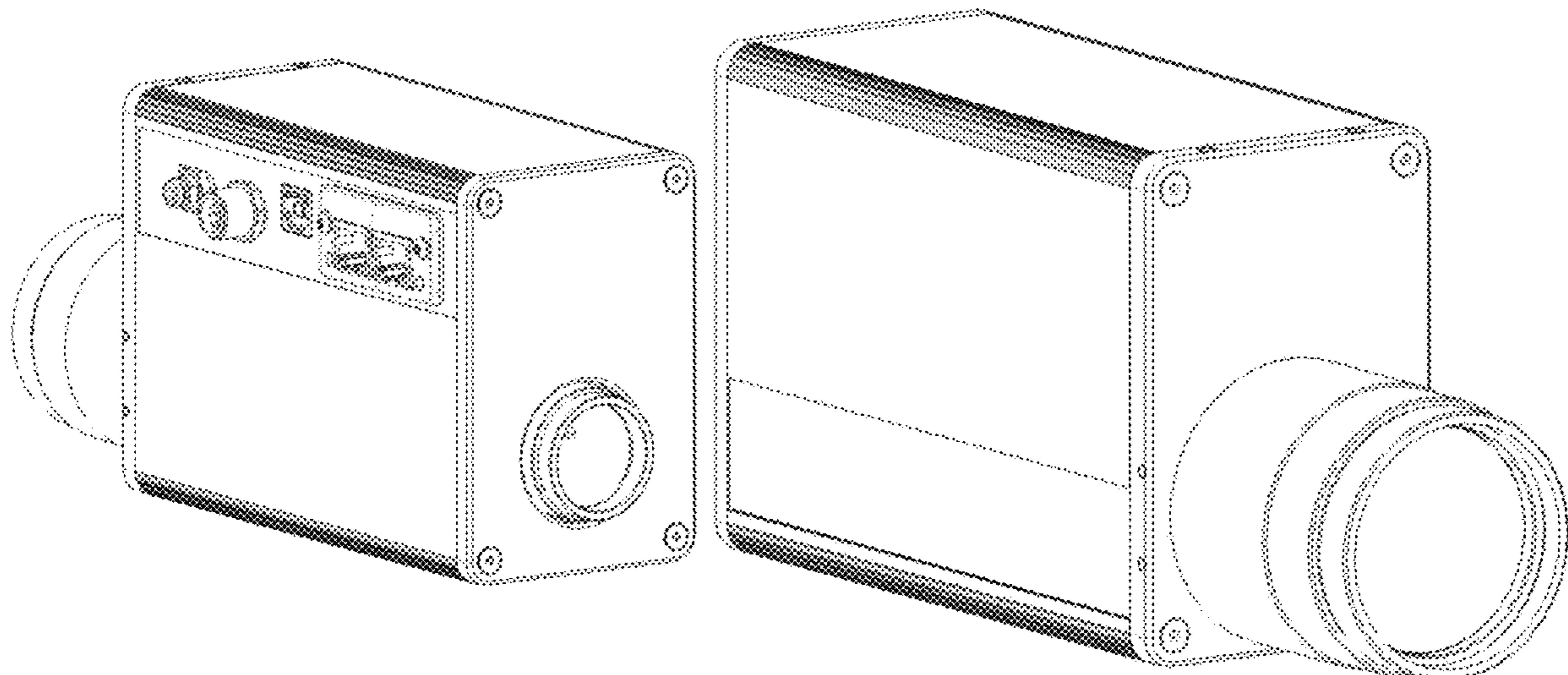
2.5 : Top

2.6 : Right

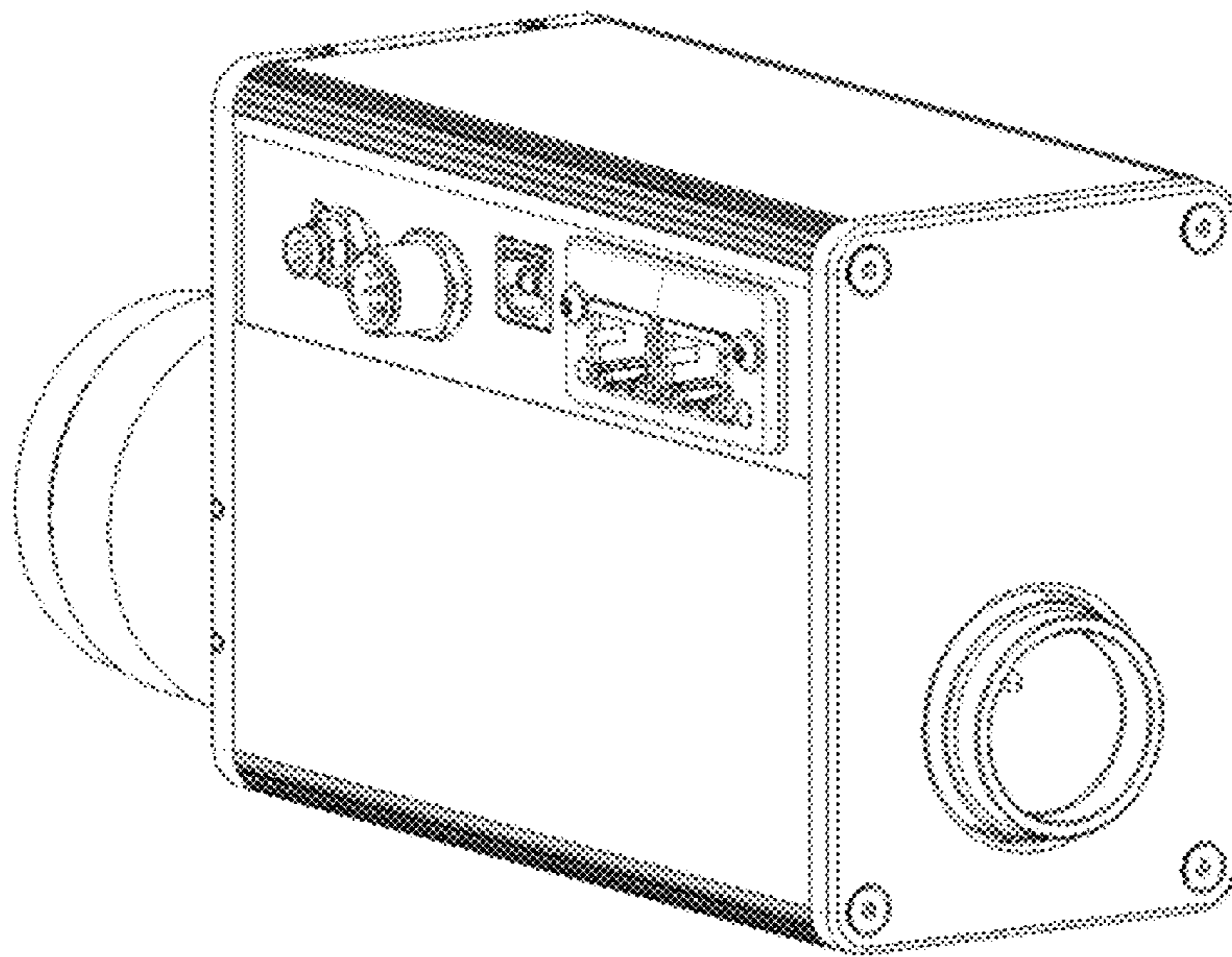
2.7 : Bottom

2.8 : Front

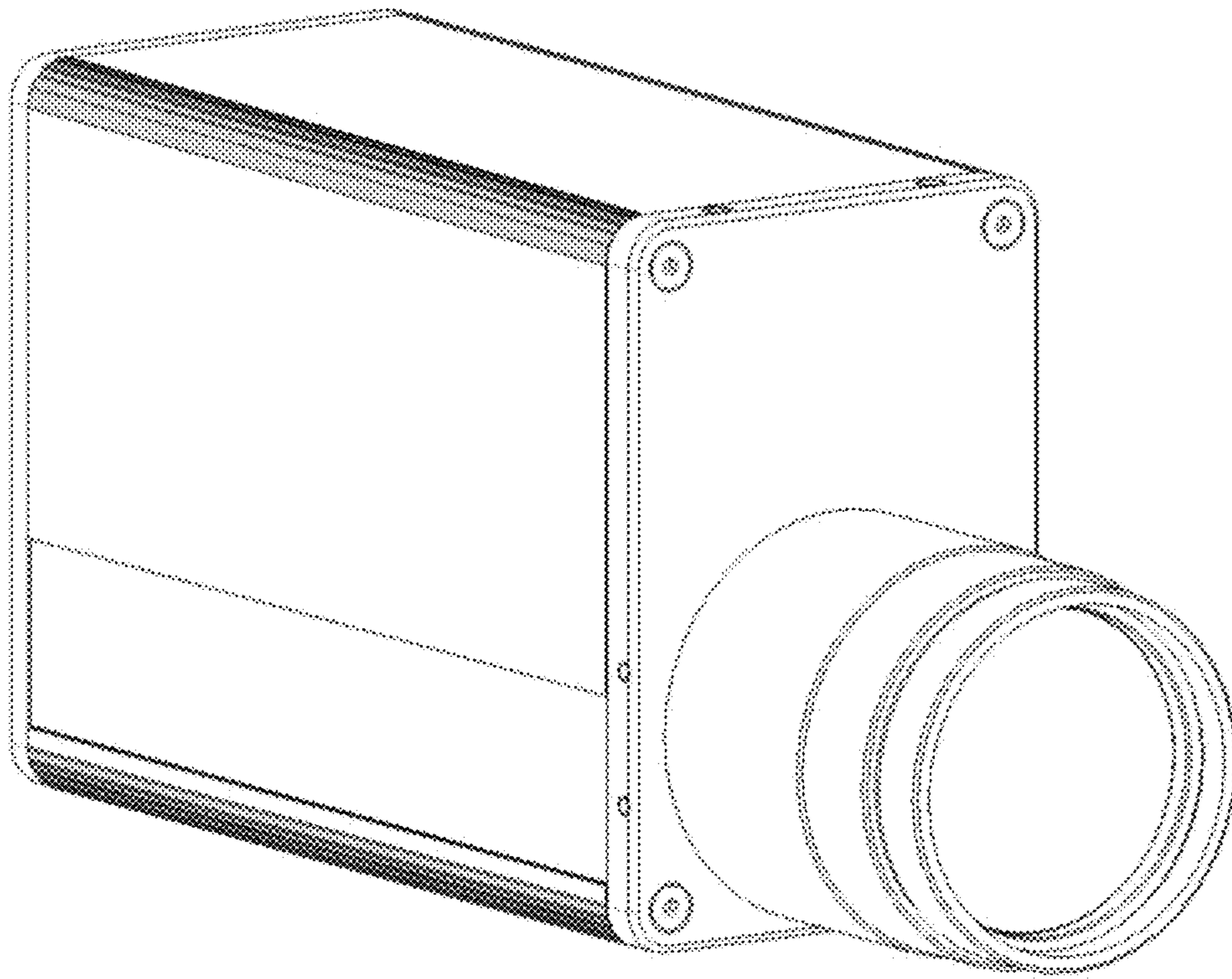
1 Claim, 8 Drawing Sheets



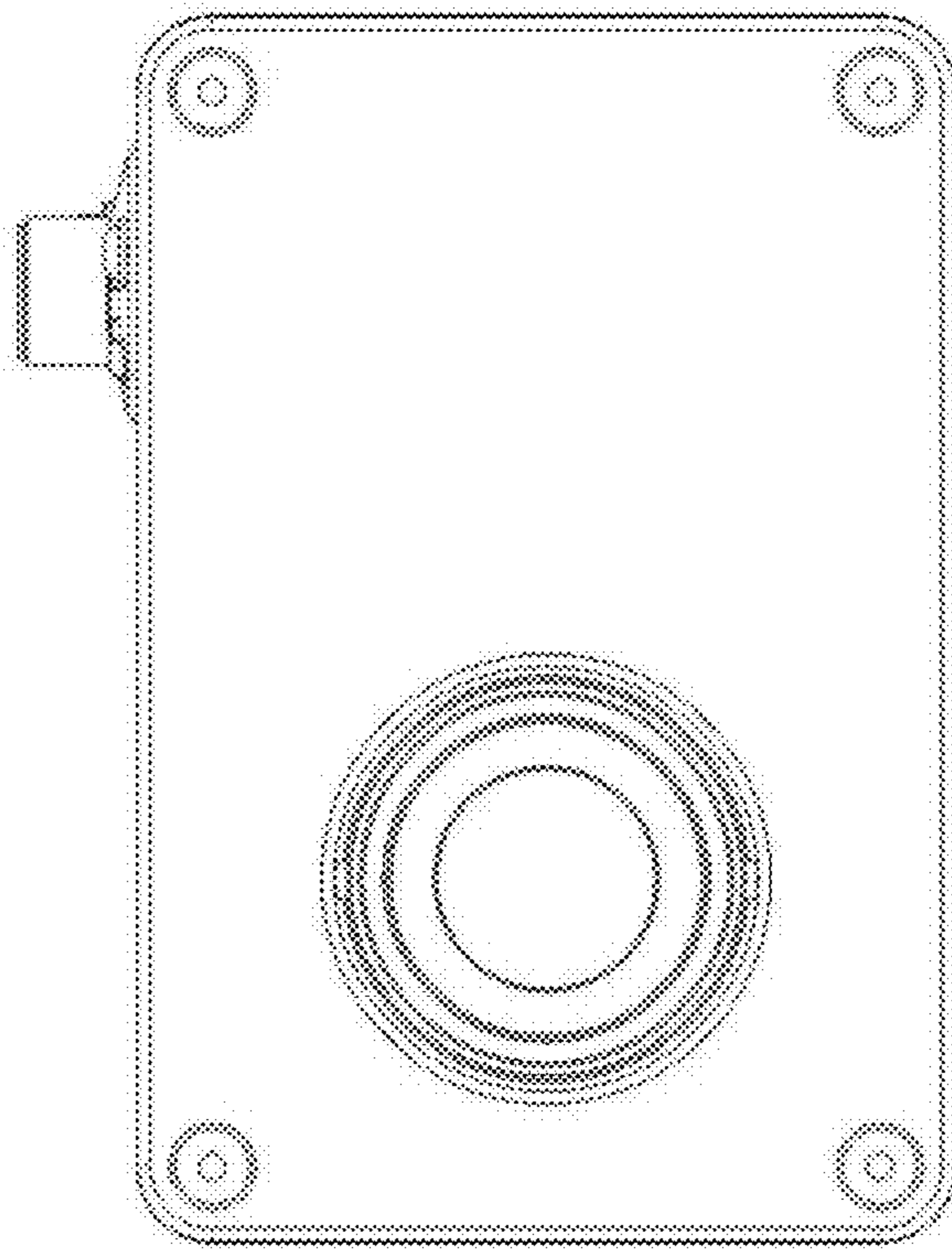
2.1



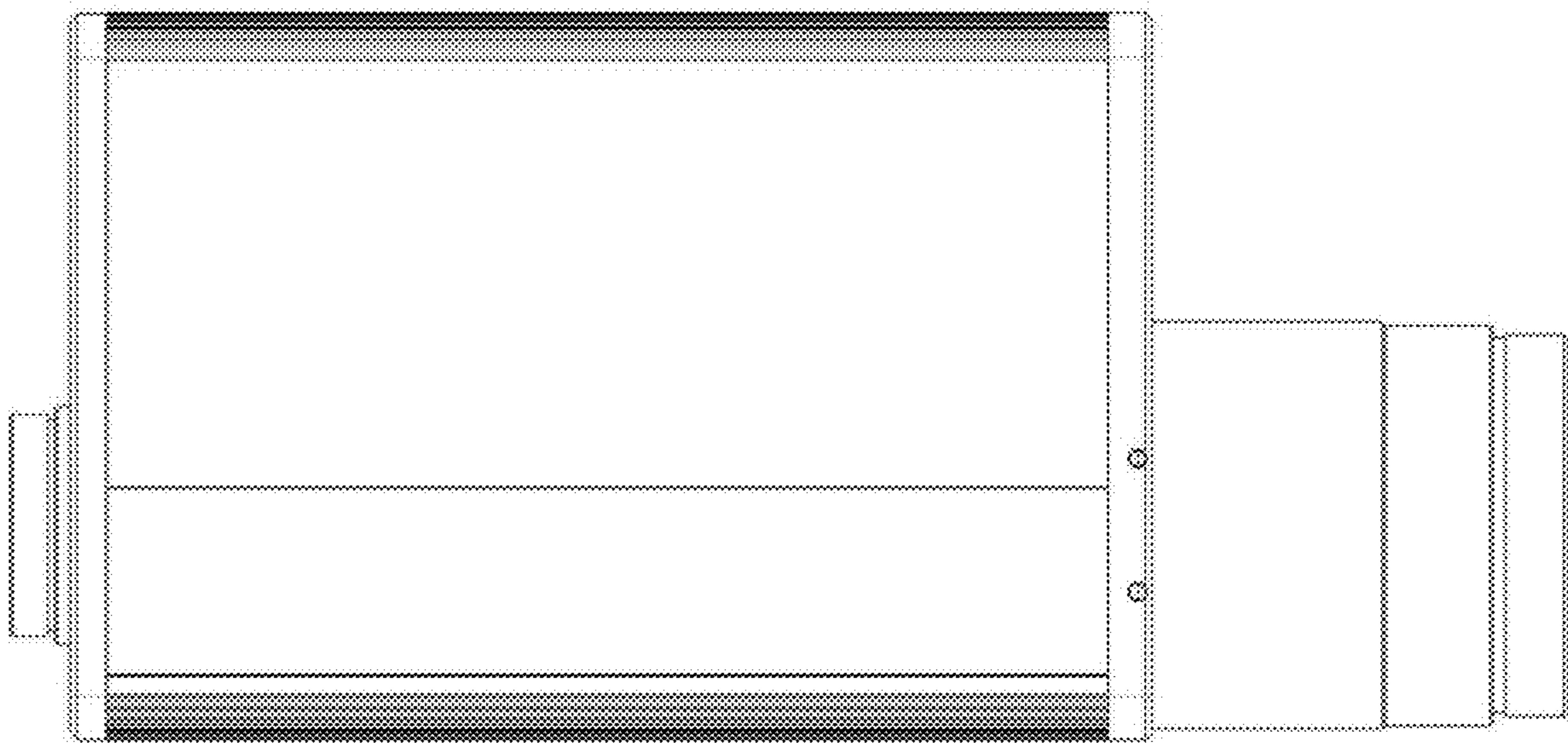
2.2



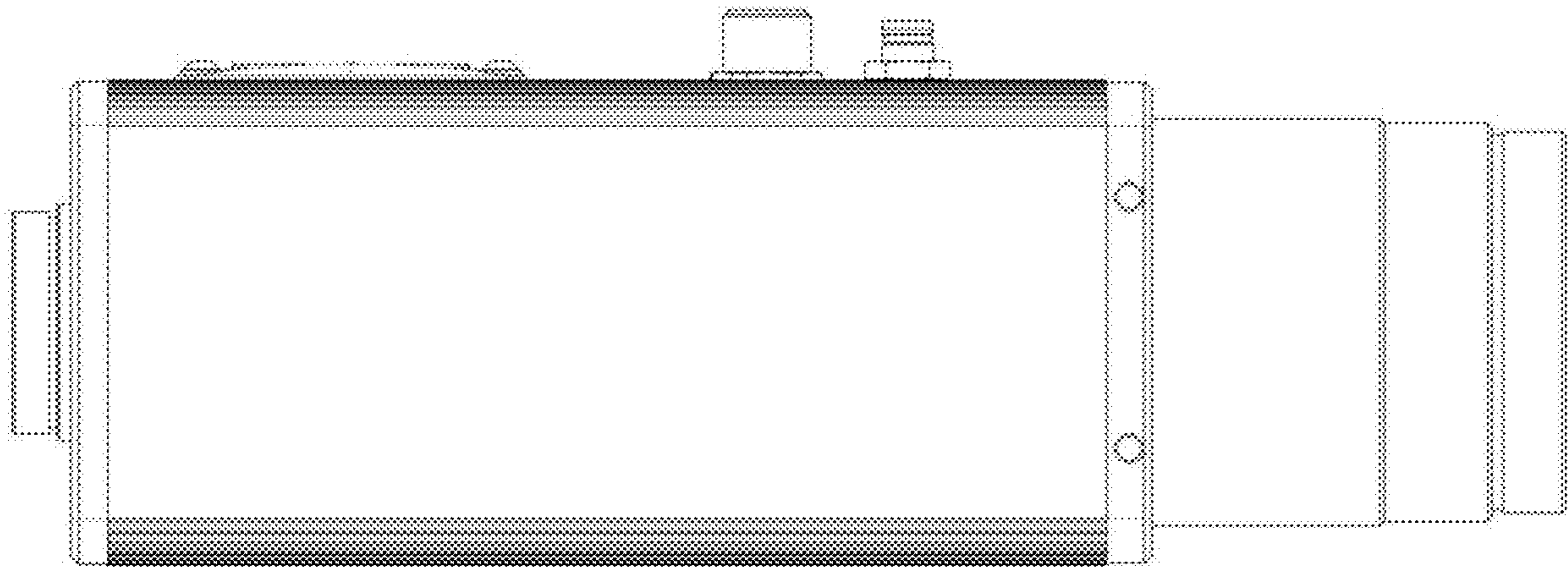
2.3



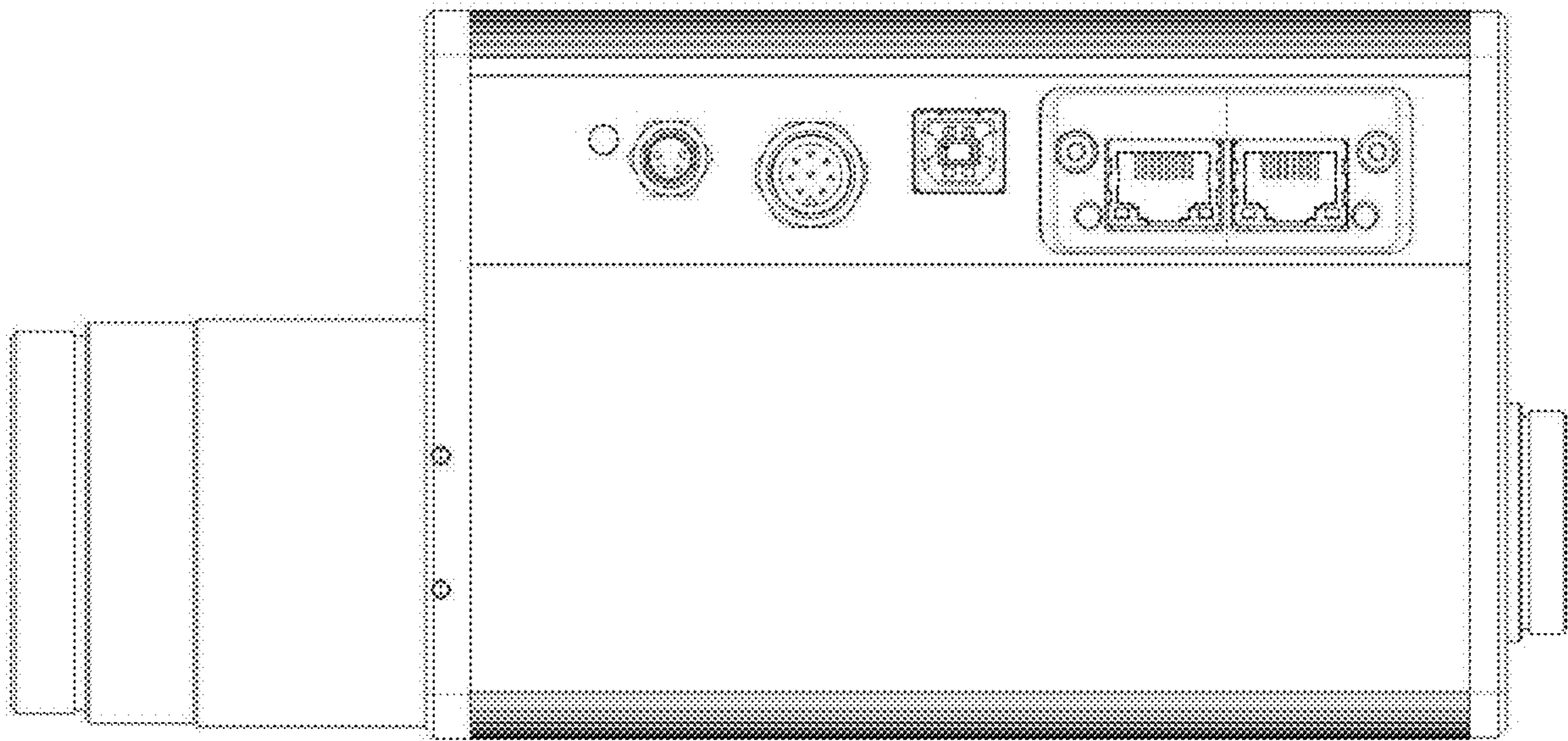
2.4



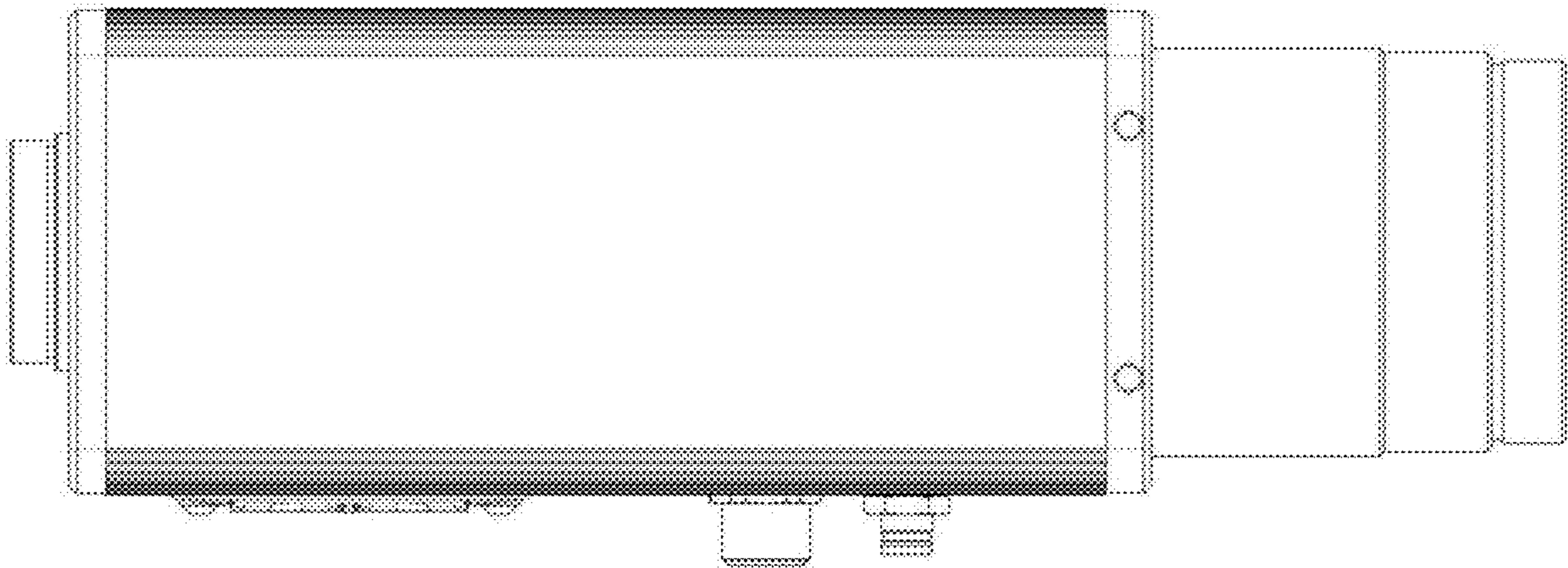
2.5



2.6



2.7



2.8

