



US00D877219S

(12) **United States Design Patent**
Miyazaki

(10) **Patent No.:** **US D877,219 S**

(45) **Date of Patent:** **** Mar. 3, 2020**

(54) **SOLDERING TIP**

(71) Applicant: **Hakko Corporation**, Naniwa-ku,
Osaka-shi, Osaka (JP)

(72) Inventor: **Mitsuhiko Miyazaki**, Osaka (JP)

(73) Assignee: **HAKKO CORPORATION**, Osaka
(JP)

(**) Term: **15 Years**

(21) Appl. No.: **29/601,935**

(22) Filed: **Apr. 27, 2017**

(51) **LOC (12) Cl.** **15-03**

(52) **U.S. Cl.**
USPC **D15/144**

(58) **Field of Classification Search**
USPC D15/138–144, 21, 123; D8/70; D24/156
CPC B23K 26/032; B23K 11/0026;
B23K 11/062; B23K 11/066; B23K
11/0873; B23K 11/0876; B23K 11/115;
B23K 11/24; B23K 11/248; B23K
11/252; B23K 11/257; B23K 11/3018;
B23K 11/3054; B23K 11/36; B23K
15/0013; B23K 15/02; B23K 15/08;
B23K 15/085; B23K 1/0014; B23K
1/0018; B23K 1/0056; B23K 20/12;
B23K 20/1215; B23K 2201/001; B23K
2201/04; B23K 2201/125; B23K 2203/04;
B23K 2203/10; B23K 2203/16; B23K
2203/26; B23K 2203/42; B23K 2203/52;
B23K 26/03; B23K 26/034; B23K
26/044; B23K 26/0619; B23K 26/123;
B23K 26/1429; B23K 26/20; B23K
26/28; B23K 26/362; B23K 26/38; B23K
26/382; B23K 31/02; B23K 31/12; B23K
35/0222; B23K 35/0244; B23K 35/025;
B23K 35/0261;

(Continued)

(56) **References Cited**

U.S. PATENT DOCUMENTS

D771,168 S * 11/2016 Bell D15/144
D784,432 S * 4/2017 Yamaguchi D15/144

(Continued)

OTHER PUBLICATIONS

Ok International, Inc., webpage showing “Metcal UFTC-7CNB02 Soldering Iron Tip, Conical Bent, 0.2 mm,” visited on Apr. 26, 2017 at <http://www.newark.com/metcal/uftc-7cnb02/tip-cartridge-solder-conical-bent/dp/19P2167>.

Primary Examiner — Khawaja Anwar

(74) *Attorney, Agent, or Firm* — Squire Patton Boggs
(US) LLP

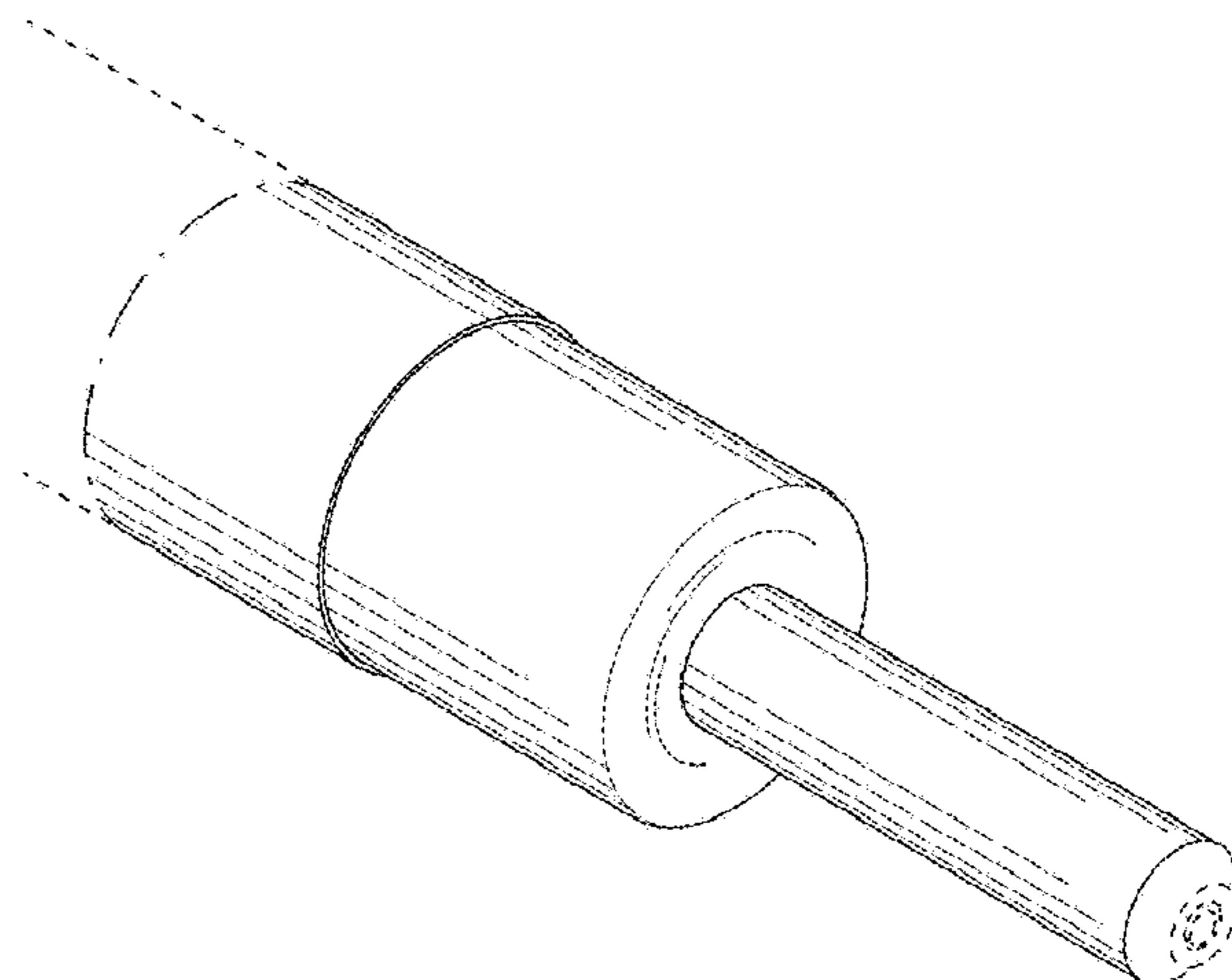
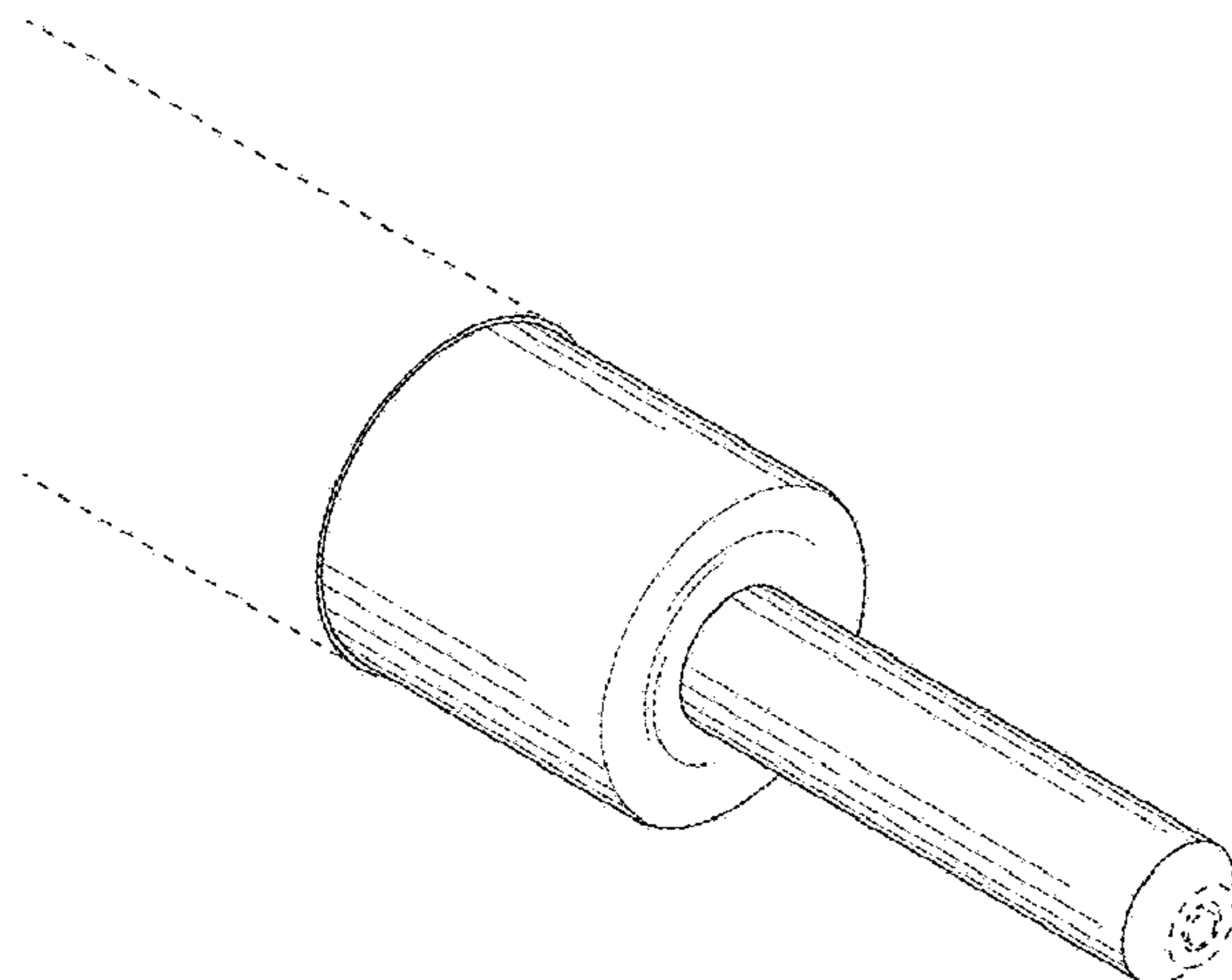
(57) **CLAIM**

The ornamental design for a soldering tip, as shown and described.

DESCRIPTION

FIG. 1 is a front view of a soldering tip showing a first embodiment of my new design;
FIG. 2 is a right side view thereof;
FIG. 3 is a top view thereof;
FIG. 4 is an enlarged perspective view of claimed part thereof;
FIG. 5 is an enlarged view of front view thereof;
FIG. 6 is an enlarged view of right side view thereof;
FIG. 7 is a front view of a soldering tip showing a second embodiment of my new design;
FIG. 8 is a right side view thereof;
FIG. 9 is a top view thereof;
FIG. 10 is an enlarged perspective view of claimed part thereof;
FIG. 11 is an enlarged view of front view thereof; and,
FIG. 12 is an enlarged view of right side view.

(Continued)



The broken lines depict portions of the soldering tip in which the design is embodied that are not considered part of the claimed design.

The dashed lines show a boundary between the claimed design and unclaimed portions.

1 Claim, 6 Drawing Sheets

(58) Field of Classification Search

CPC B23K 35/286; B23K 35/3006; B23K 35/3013; B23K 35/302; B23K 35/3033; B23K 35/3046; B23K 35/327; B23K 35/36; B23K 35/3603; B23K 35/3605; B23K 35/3613; B23K 35/365; B23K 37/04; B23K 9/02; B23K 9/073; B23K 9/091; B23K 9/092; B23K 9/095; B23K 9/0956; B23K 9/1006

See application file for complete search history.

(56) References Cited

U.S. PATENT DOCUMENTS

D797,171 S *	9/2017	Alfaro	D15/144
D797,172 S *	9/2017	Alfaro	D15/144
D797,826 S *	9/2017	Alfaro	D15/144
D802,034 S *	11/2017	Yamaguchi	D15/144
D821,468 S *	6/2018	Alfaro	D15/144
D835,692 S *	12/2018	Susin	D15/144
D846,009 S *	4/2019	Takemura	D15/144

* cited by examiner



FIG.1



FIG.2

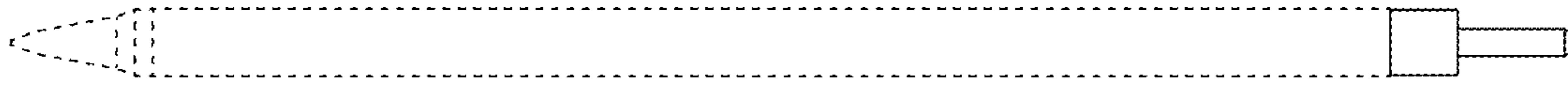


FIG.3

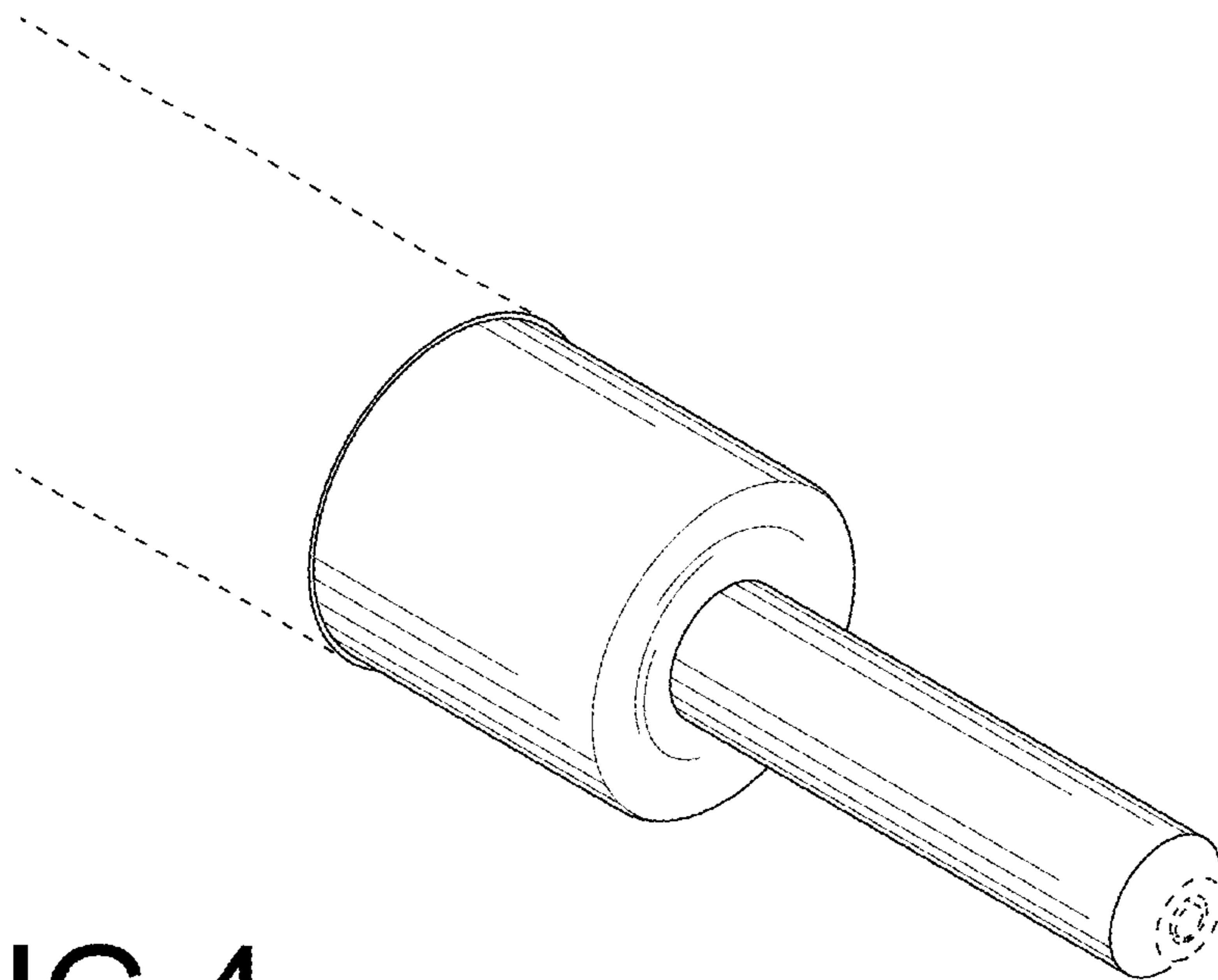


FIG.4

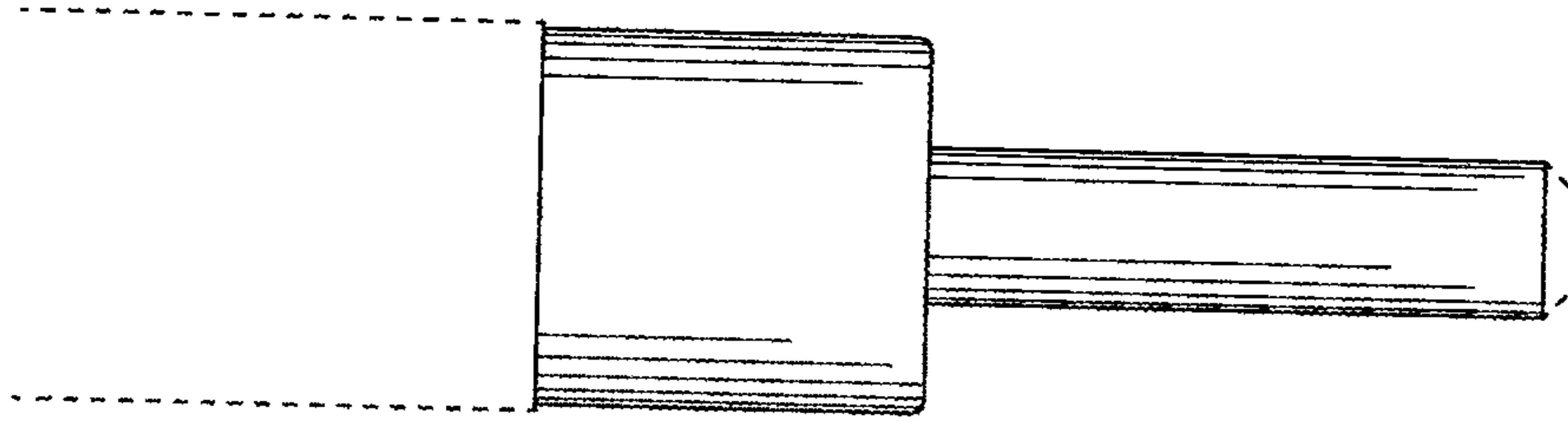


FIG. 5

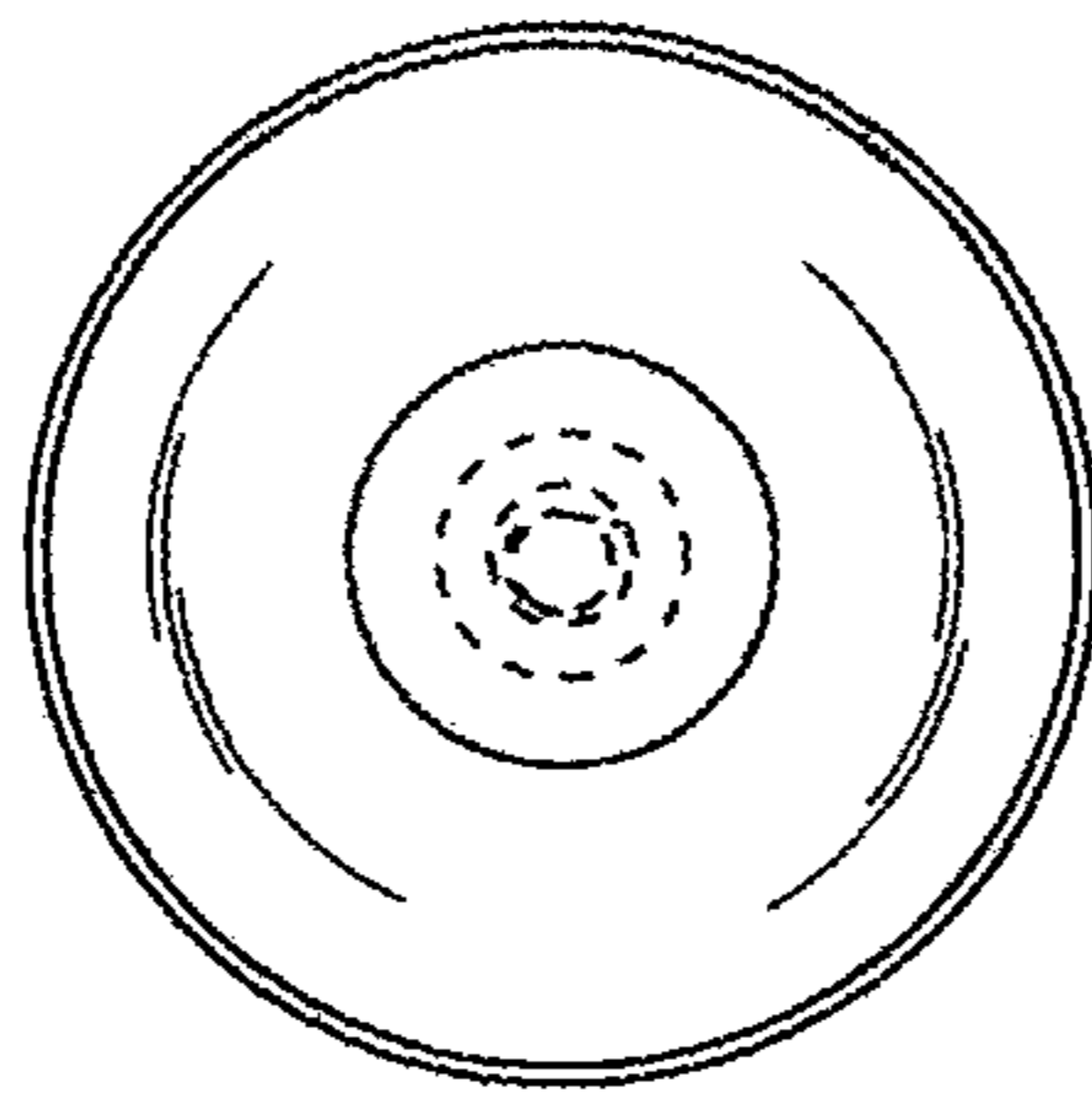


FIG. 6



FIG. 7



FIG. 8



FIG. 9

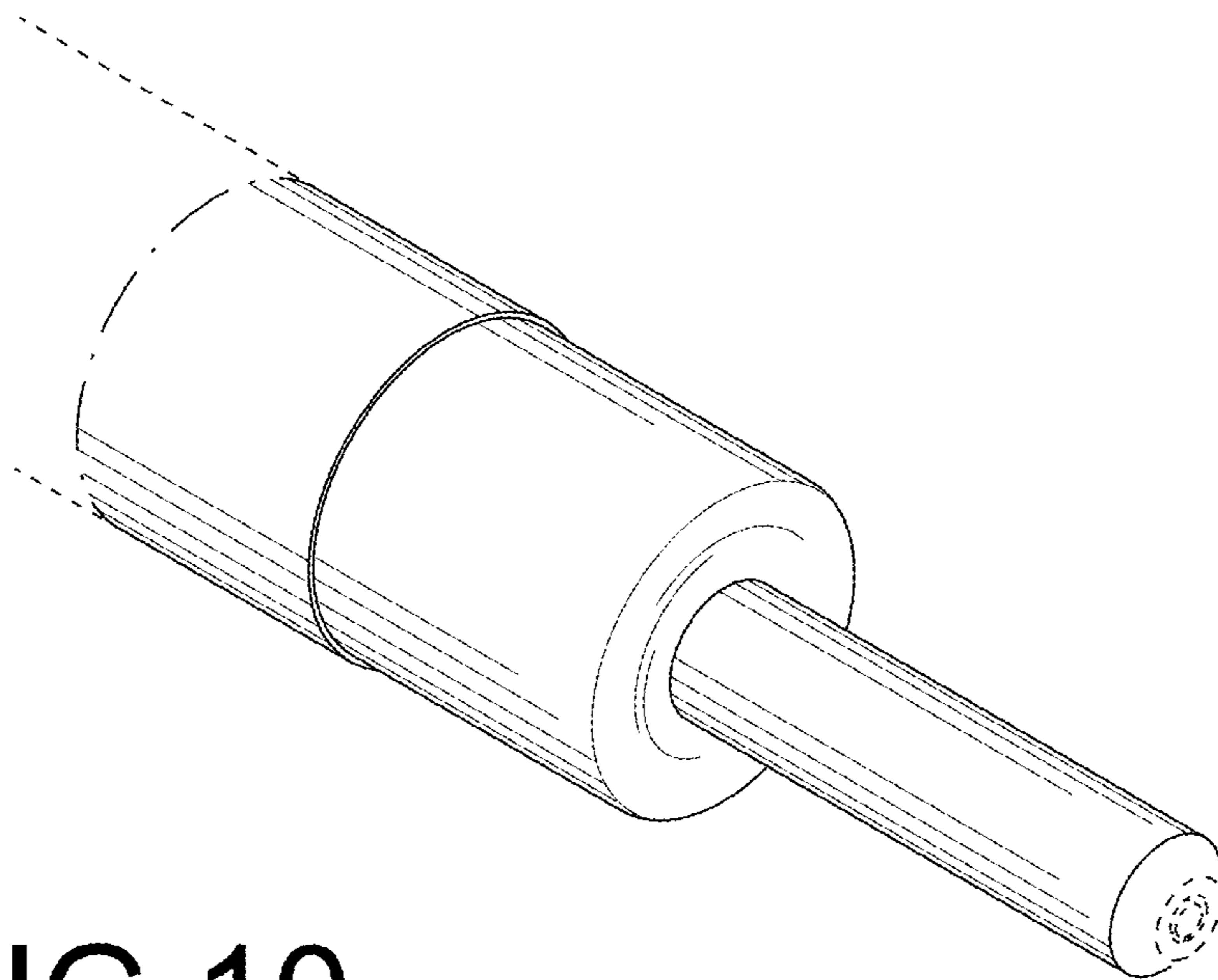


FIG. 10

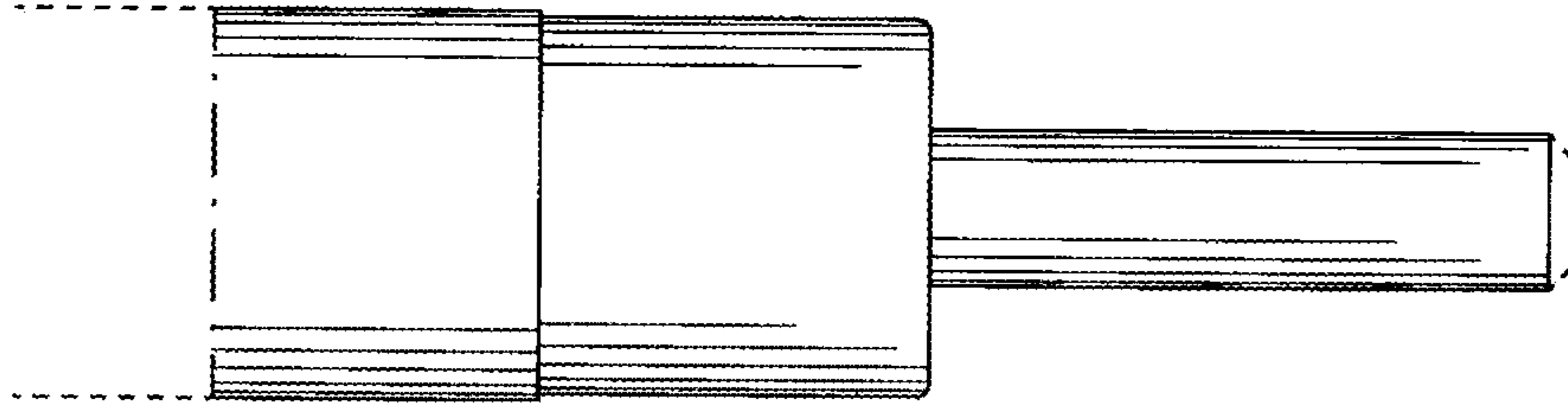


FIG. 11

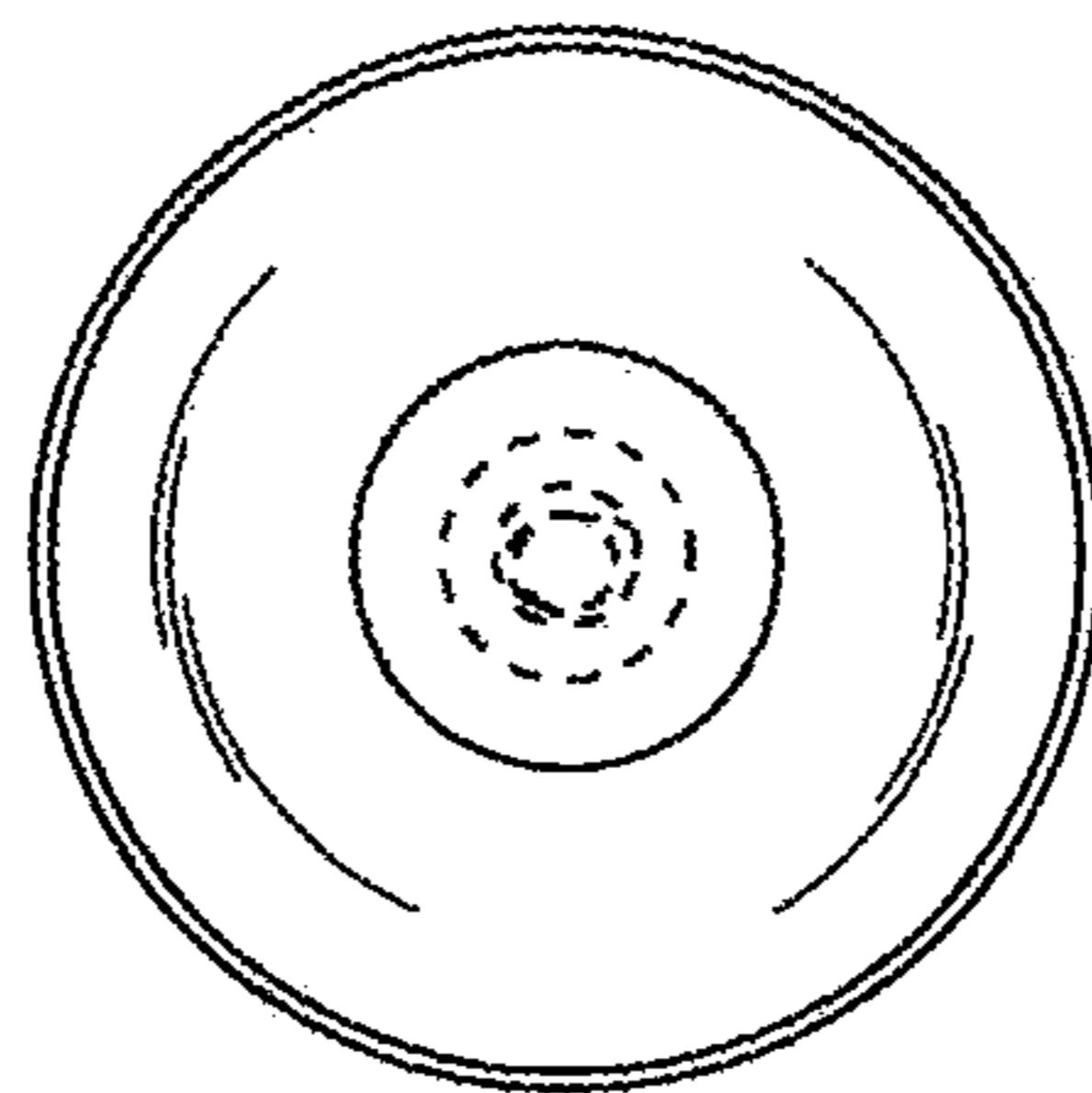


FIG. 12