



US00D877217S

(12) **United States Design Patent**
Davies et al.

(10) **Patent No.:** **US D877,217 S**

(45) **Date of Patent:** **** Mar. 3, 2020**

(54) **ONE-PIECE SLIP**

(71) Applicant: **The WellBoss Company, LLC**,
Houston, TX (US)

(72) Inventors: **Evan Lloyd Davies**, Houston, TX (US);
Yi Xia, Houston, TX (US); **Luis Miguel Avila**, Pearland, TX (US);
David Hughes, Houston, TX (US);
Gabriel Slup, Houston, TX (US)

(73) Assignee: **The WellBoss Company, LLC**,
Houston, TX (US)

(**) Term: **15 Years**

(21) Appl. No.: **29/660,381**

(22) Filed: **Aug. 21, 2018**

(51) **LOC (12) Cl.** **15-09**

(52) **U.S. Cl.**
USPC **D15/138**; D15/132

(58) **Field of Classification Search**
USPC D8/70, 71, 82, 85, 86, 87, 105; D15/132,
D15/138, 139, 140, 141, 142, 199
CPC . B23B 31/261; B23B 2226/33; E21B 33/129;
E21B 33/1216; Y10T 82/2589; Y10T
279/1004; Y10T 409/309464; Y10T
409/30952

See application file for complete search history.

(56) **References Cited**

U.S. PATENT DOCUMENTS

D699,272 S * 2/2014 Mochizuki D15/143
9,528,353 B1 * 12/2016 Jani E21B 43/114
D784,498 S * 4/2017 LaCroix D23/269
9,689,210 B2 * 6/2017 Moller E21B 10/48

D861,054 S * 9/2019 Avila D15/199
D863,919 S * 10/2019 Spatz D8/70
2006/0232019 A1 * 10/2006 Garrison F16L 7/02
277/611
2018/0363410 A1 * 12/2018 Dey E21B 33/129
2019/0203556 A1 * 7/2019 Powers E21B 33/1208
2019/0203557 A1 * 7/2019 Dirocco E21B 33/1208

* cited by examiner

Primary Examiner — Michael C Stout

Assistant Examiner — Fritzgerald L Butac

(74) *Attorney, Agent, or Firm* — Rao DeBoer Osterrieder,
PLLC; John M. DeBoer

(57) **CLAIM**

The ornamental design for a one-piece slip, as shown and described.

DESCRIPTION

FIG. 1 is a top view of a one-piece slip, according to the new design;

FIG. 2 is a bottom view thereof;

FIG. 3 is a front side elevation view thereof, with the rear being a mirror image thereof;

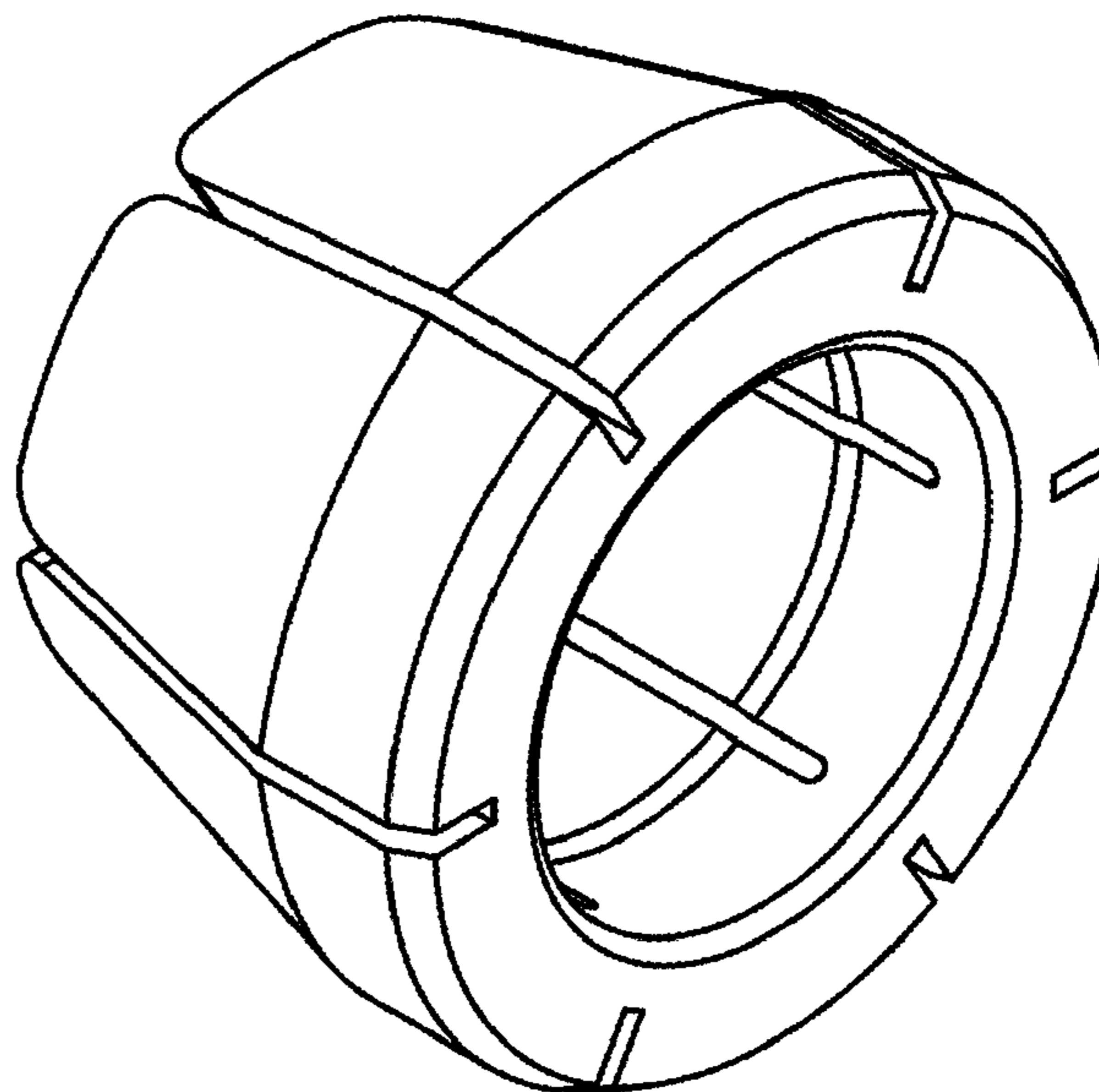
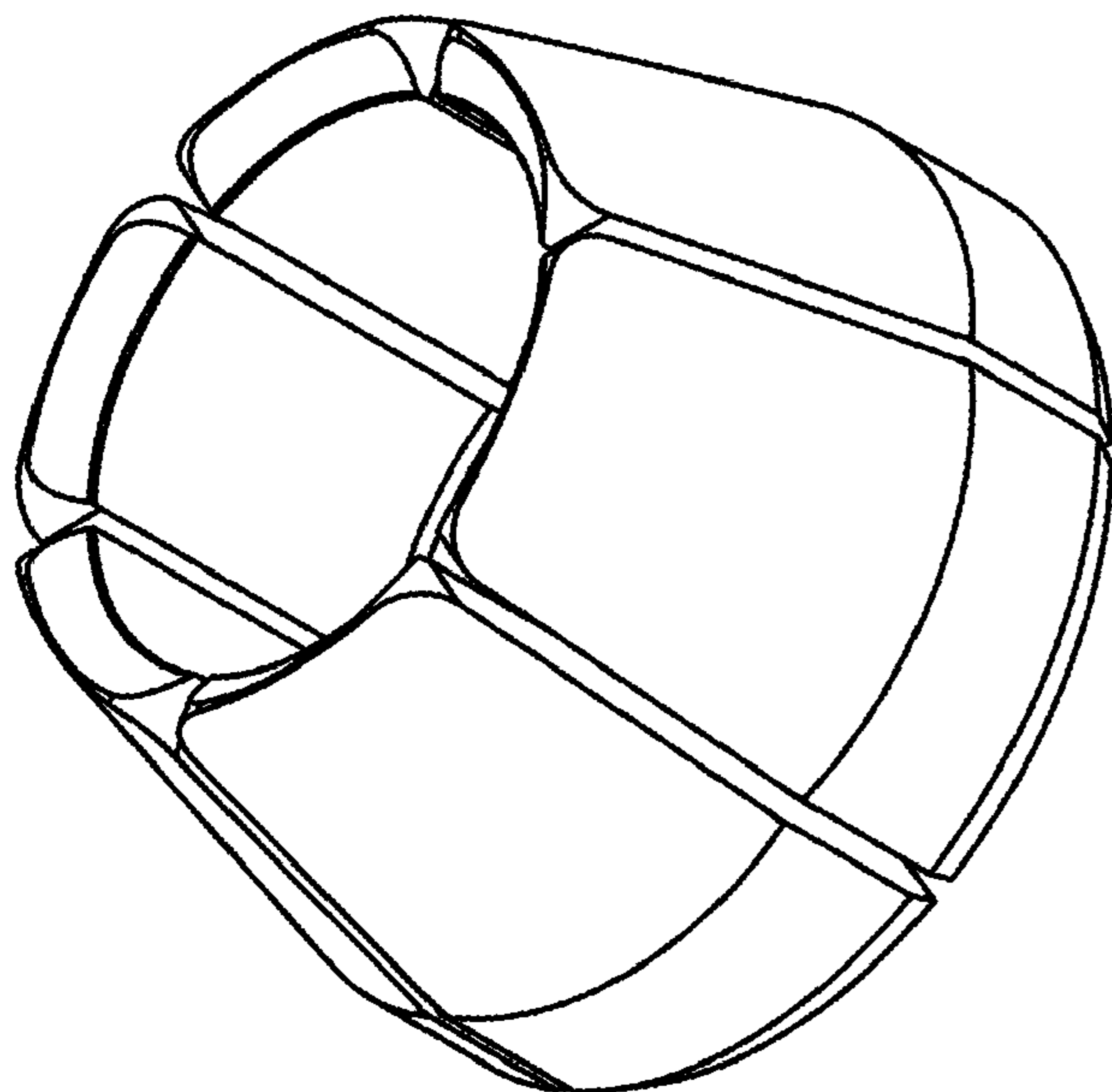
FIG. 4 is a side left side elevation view thereof, with the right side being a mirror image thereof;

FIG. 5 is a top perspective view thereof; and,

FIG. 6 is a bottom perspective view thereof.

The nature and intended use of the article in which the design embodied is for the occasion of running a downhole tool into a wellbore via a workstring, and the downhole tool undergoes a setting sequence and/or disconnect from the workstring for which the slip ‘fractures’, and helps keep the tool set in place.

1 Claim, 2 Drawing Sheets



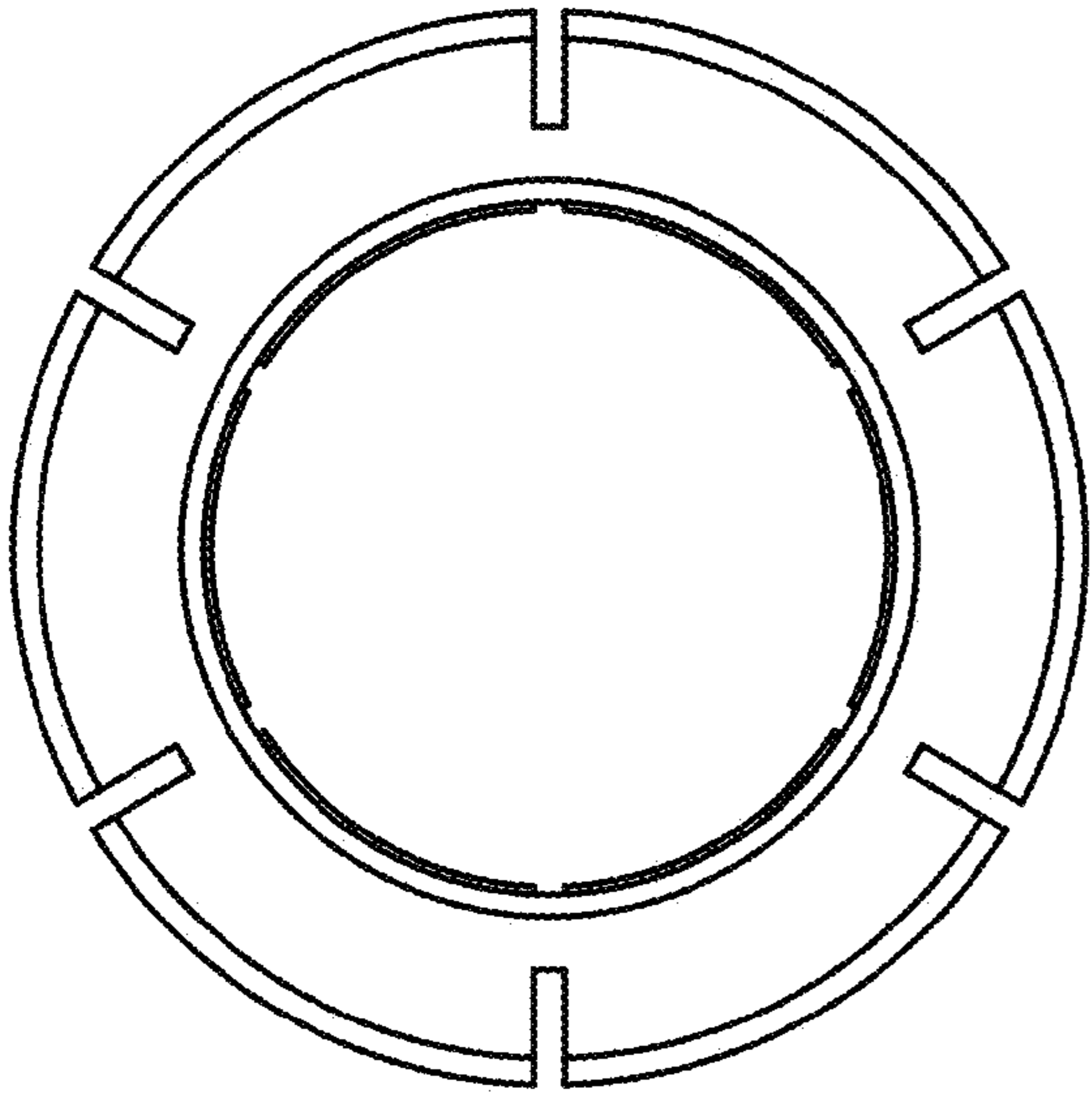


FIG. 1

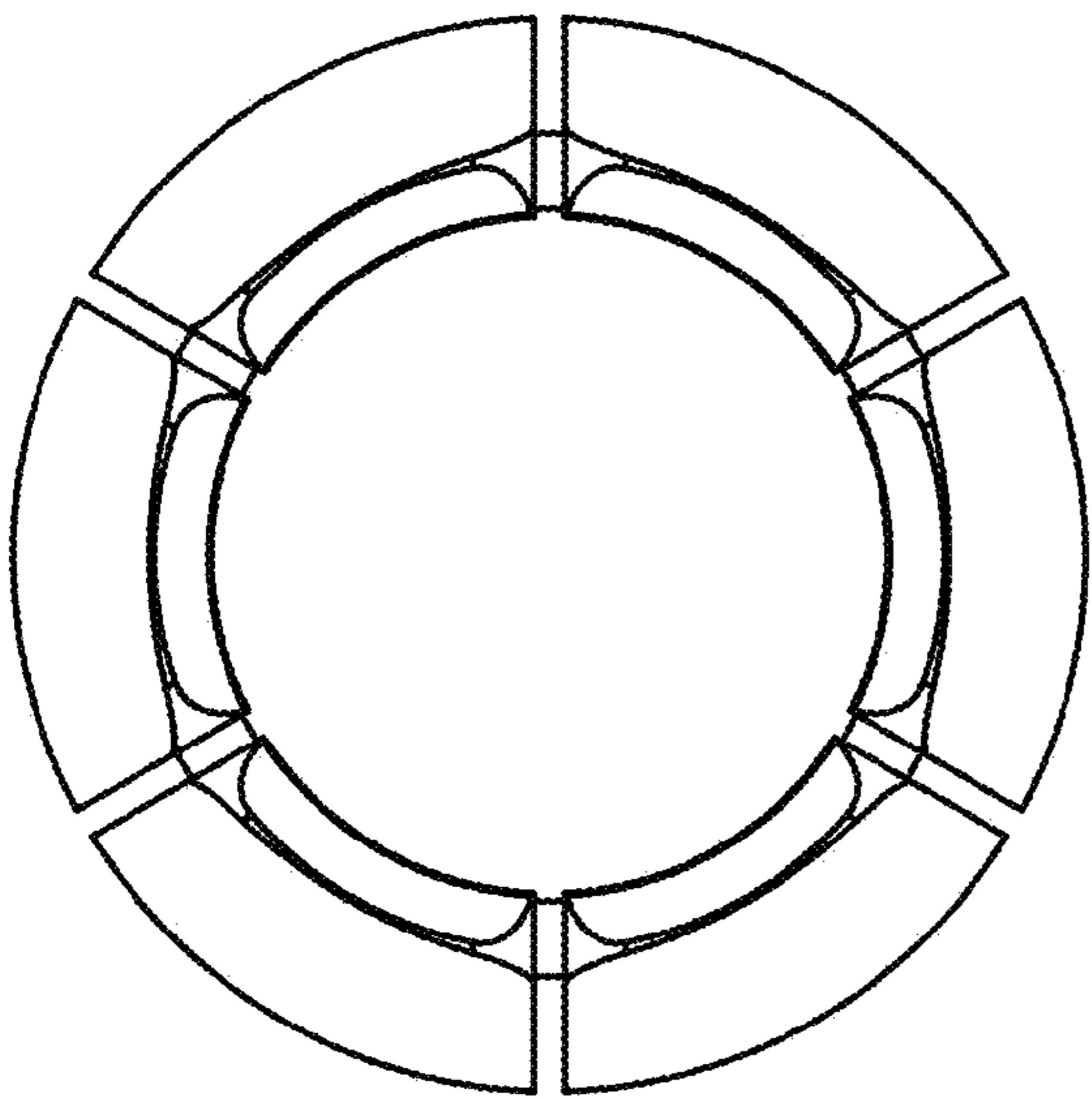


FIG. 2

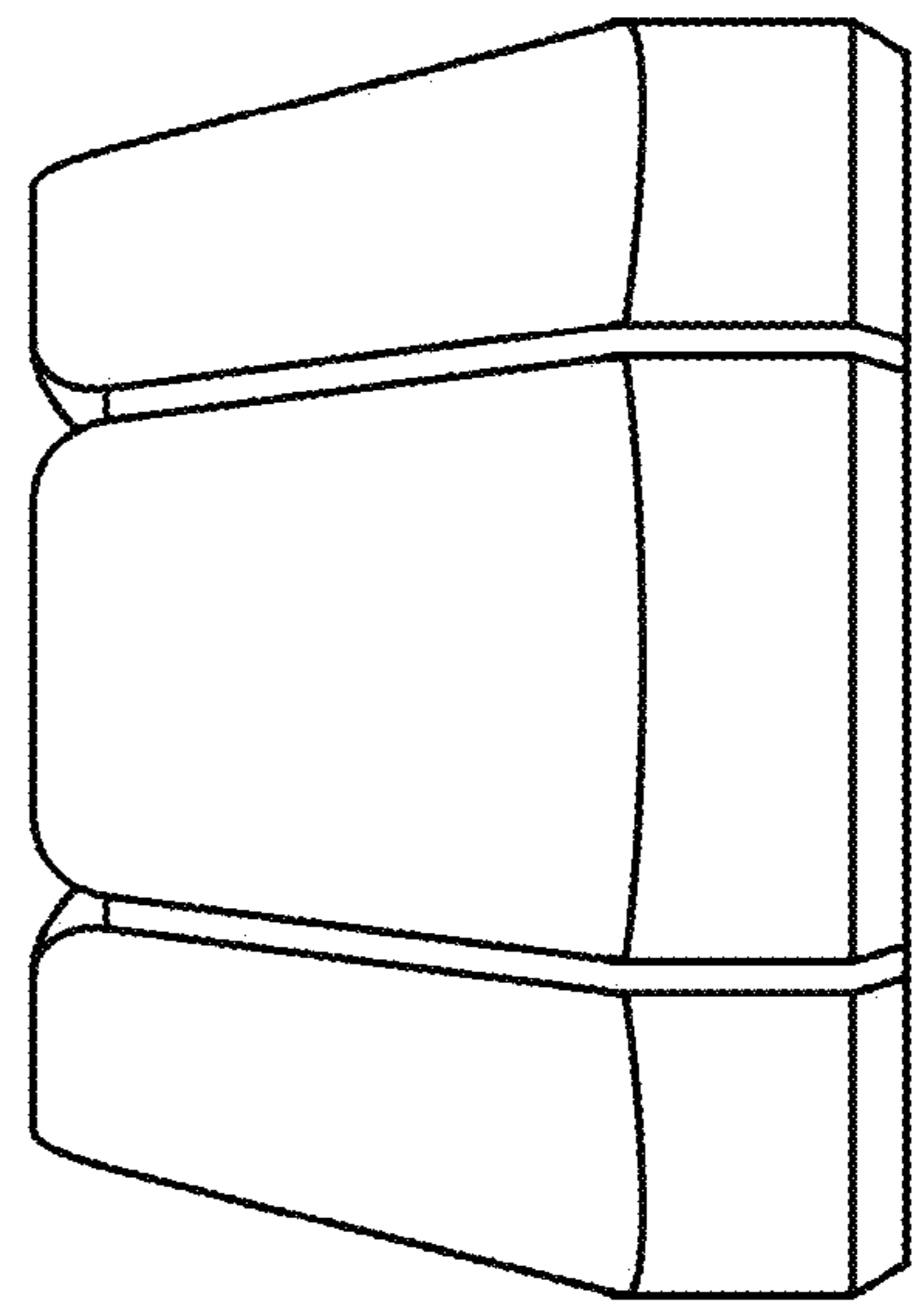


FIG. 3

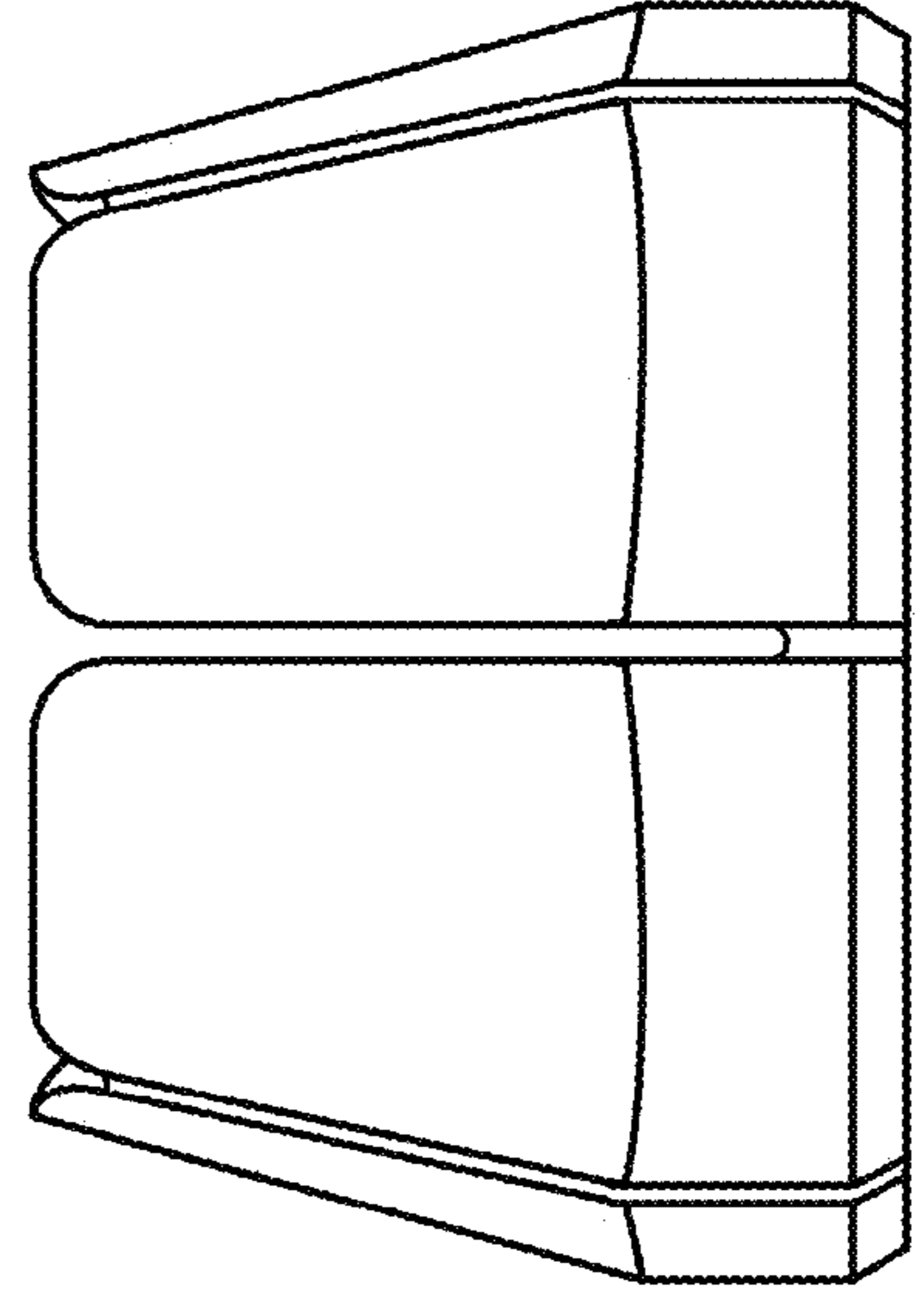


FIG. 4

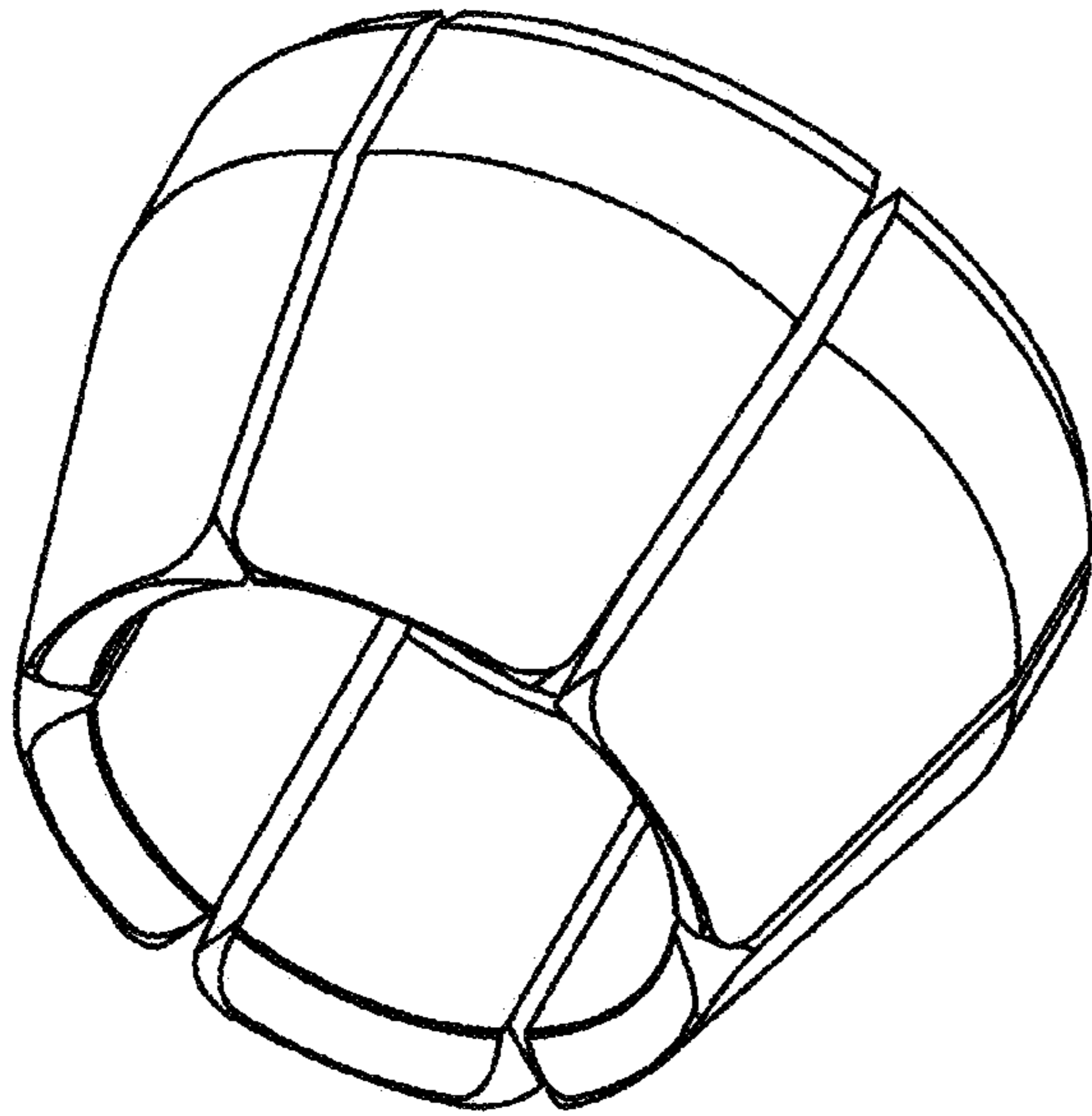


FIG. 5

FIG. 6

