



US00D877215S

(12) **United States Design Patent** (10) **Patent No.:** **US D877,215 S**
Brandt Sanz et al. (45) **Date of Patent:** **** Mar. 3, 2020**

(54) **MOULD FOR DETERGENT POD**

OTHER PUBLICATIONS

(71) Applicant: **The Procter & Gamble Company**,
Cincinnati, OH (US)
(72) Inventors: **Miguel Brandt Sanz**,
Guldenbunderstraat 13 Tervuren (BE);
Donatella Scafetta, Brussels (BE)
(73) Assignee: **The Procter & Gamble Company**,
Cincinnati, OH (US)

U.S. Appl. No. 29/646,138, filed May 2, 2018, Miguel Brandt.

Primary Examiner — Patricia A Palasik
(74) *Attorney, Agent, or Firm* — Gregory S.
Darley-Emerson

(**) Term: **15 Years**

(21) Appl. No.: **29/646,145**

(22) Filed: **May 2, 2018**

(57) **CLAIM**

The ornamental design for a mould for detergent pod, as shown and described.

(30) **Foreign Application Priority Data**

DESCRIPTION

Nov. 7, 2017 (WO) 5303901
(51) **LOC (12) Cl.** **15-09**
(52) **U.S. Cl.**
USPC **D15/136**
(58) **Field of Classification Search**
USPC D15/135, 136; D28/8.1
CPC C11D 17/041; C11D 17/0052
See application file for complete search history.

FIG. 1 is a perspective view of a first embodiment of a mould for detergent pod;
FIG. 2 is a front view thereof;
FIG. 3 is a rear view thereof;
FIG. 4 is a left side view thereof;
FIG. 5 is a right side view thereof;
FIG. 6 is a top plan view thereof;
FIG. 7 is a bottom view thereof;
FIG. 8 is a perspective view of a second embodiment of a mould for detergent pod;
FIG. 9 is a front view thereof;
FIG. 10 is a rear view thereof;
FIG. 11 is a left side view thereof;
FIG. 12 is a right side view thereof;
FIG. 13 is a top plan view thereof;
FIG. 14 is a bottom view thereof.
FIG. 15 is a perspective view of a third embodiment of a mould for detergent pod;
FIG. 16 is a front view thereof;
FIG. 17 is a rear view thereof;
FIG. 18 is a left side view thereof;
FIG. 19 is a right side view thereof;
FIG. 20 is a top plan view thereof; and,
FIG. 21 is a bottom view thereof.

(56) **References Cited**

U.S. PATENT DOCUMENTS

1,893,688 A * 1/1933 Wells B23P 15/48
408/215
D342,267 S * 12/1993 Scholtz D15/136
D358,599 S * 5/1995 Dietterich D15/135
D391,275 S * 2/1998 Spiegel D15/135
D490,567 S * 5/2004 McLeish D28/8.1
D505,434 S * 5/2005 Bordignon D15/136

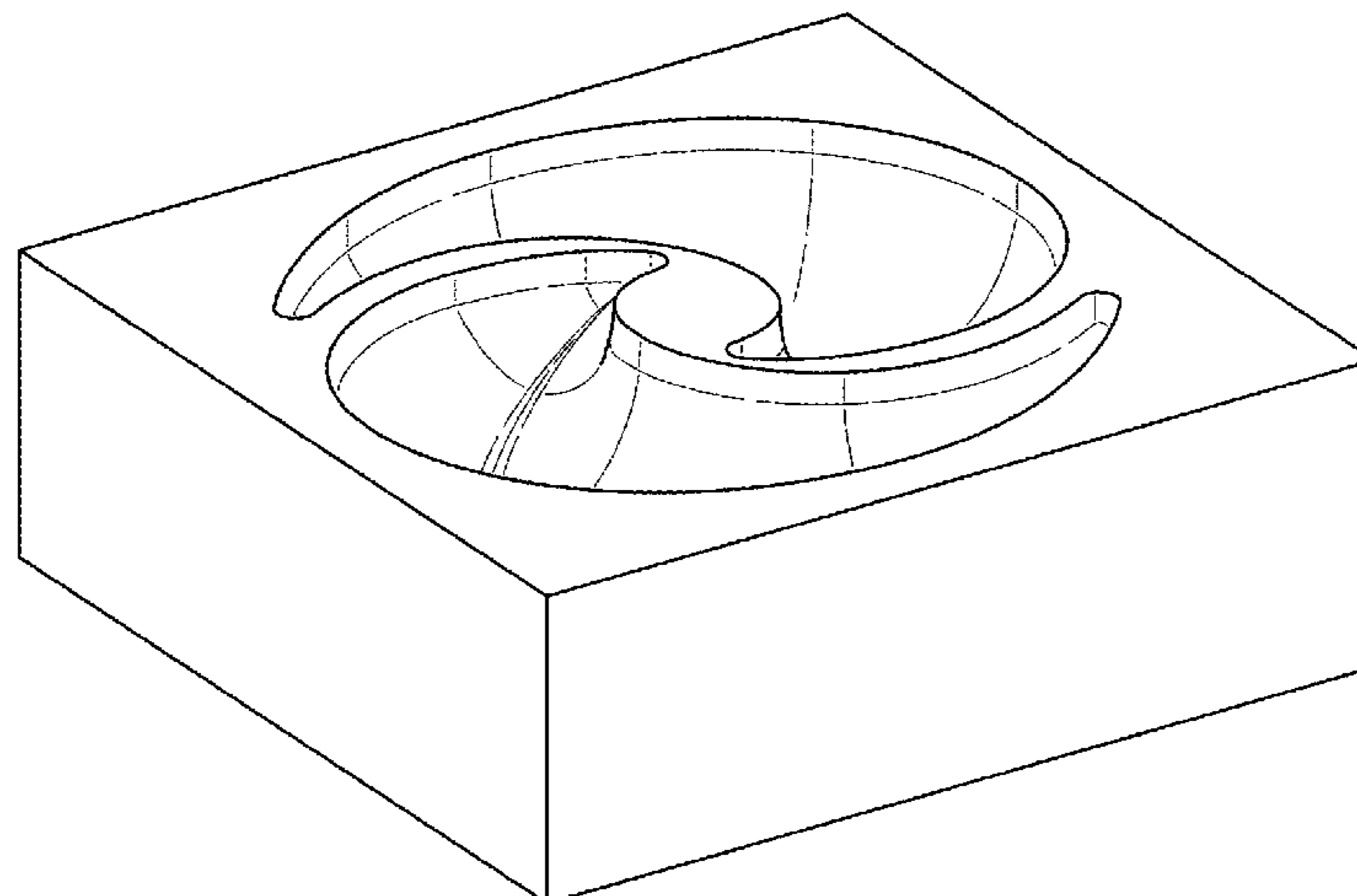
(Continued)

FOREIGN PATENT DOCUMENTS

DE DM076558 8/2011
DE DM083884 5/2014

(Continued)

1 Claim, 21 Drawing Sheets



(56)

References Cited

U.S. PATENT DOCUMENTS

D559,439 S * 1/2008 Schwartz D28/8.1
 D599,056 S * 8/2009 Schwartz D28/8.1
 D639,183 S * 6/2011 Nixon D9/707
 D640,934 S * 7/2011 Nixon D9/707
 D643,446 S * 8/2011 Gupta D15/136
 D643,574 S * 8/2011 Heidel D28/8.1
 D646,433 S * 10/2011 Heidel D28/8.1
 D646,700 S * 10/2011 Takeuchi D15/135
 D651,340 S * 12/2011 Heidel D28/8.1
 D655,676 S 3/2012 Au
 D656,668 S * 3/2012 Stone D28/8.1
 D657,495 S 4/2012 Davis
 D662,656 S * 6/2012 Nixon D28/8.1
 D663,069 S * 7/2012 Nixon D28/8.1
 D665,530 S 8/2012 Gaertner
 8,348,441 B1 * 1/2013 Skelton B29D 11/00596
 359/838
 D679,863 S * 4/2013 Sunder D28/8.1
 D680,445 S * 4/2013 Kopulos D9/434
 D691,901 S 10/2013 Epstein

D733,962 S * 7/2015 Sunder D28/8.1
 D813,453 S * 3/2018 Oh D28/9
 D821,645 S * 6/2018 Nelemans D28/8.1
 D824,433 S * 7/2018 Jung D15/135
 2005/0217688 A1 * 10/2005 Liu A45D 40/262
 132/216
 2006/0094598 A1 * 5/2006 Simon A45D 37/00
 502/401
 2006/0122088 A1 * 6/2006 Sadlowski C11D 3/2075
 510/295

FOREIGN PATENT DOCUMENTS

DE DM083889 6/2014
 DE DM089655 3/2016
 DE DM099064 7/2017
 DE DM098568 11/2017
 DE DM097923 3/2018
 ES RGN_1378921_0001 7/2013
 ES RGN_1378921_0002 7/2013
 ES RGN_001382477-000 9/2013

* cited by examiner

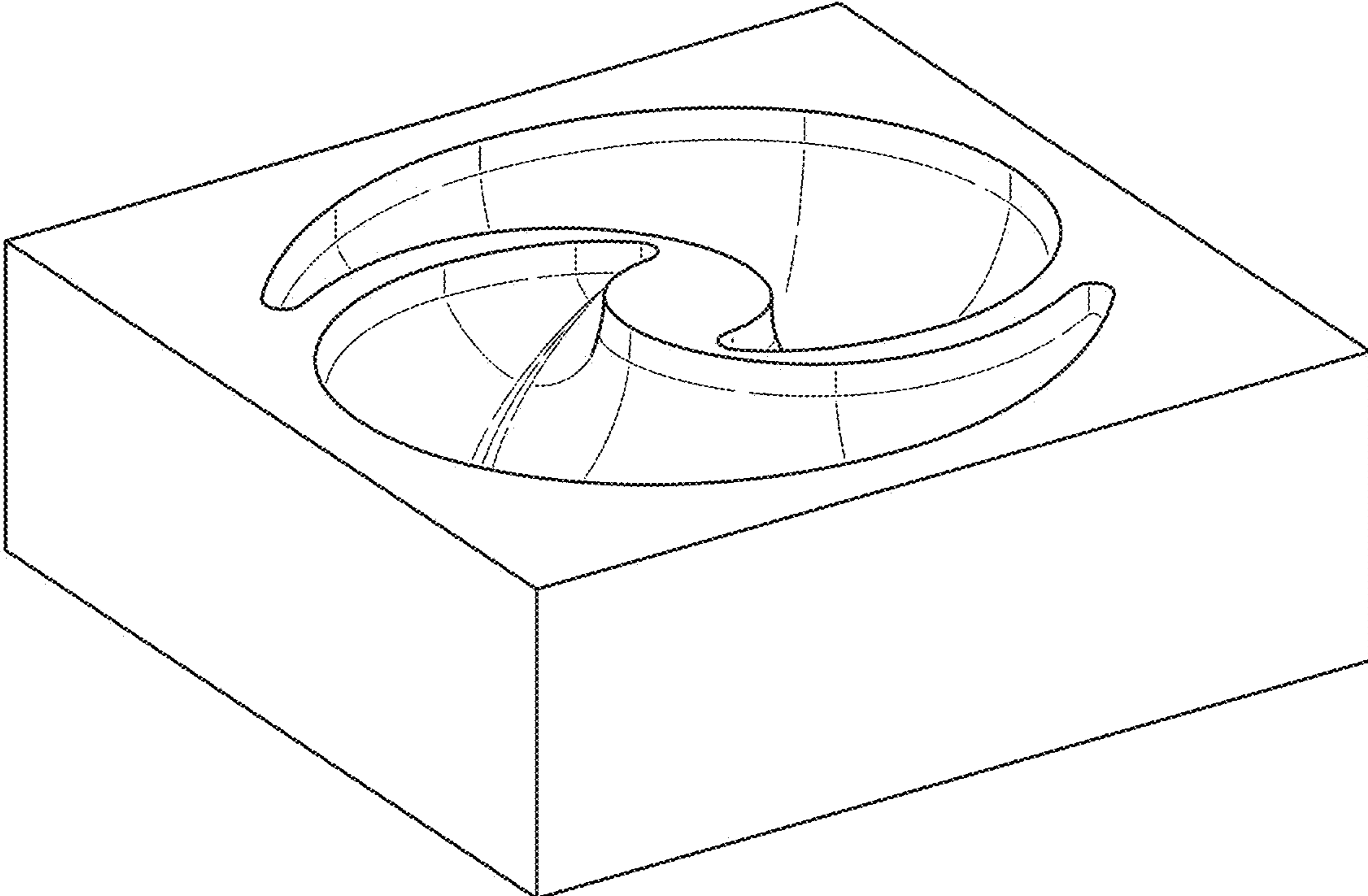


Fig. 1

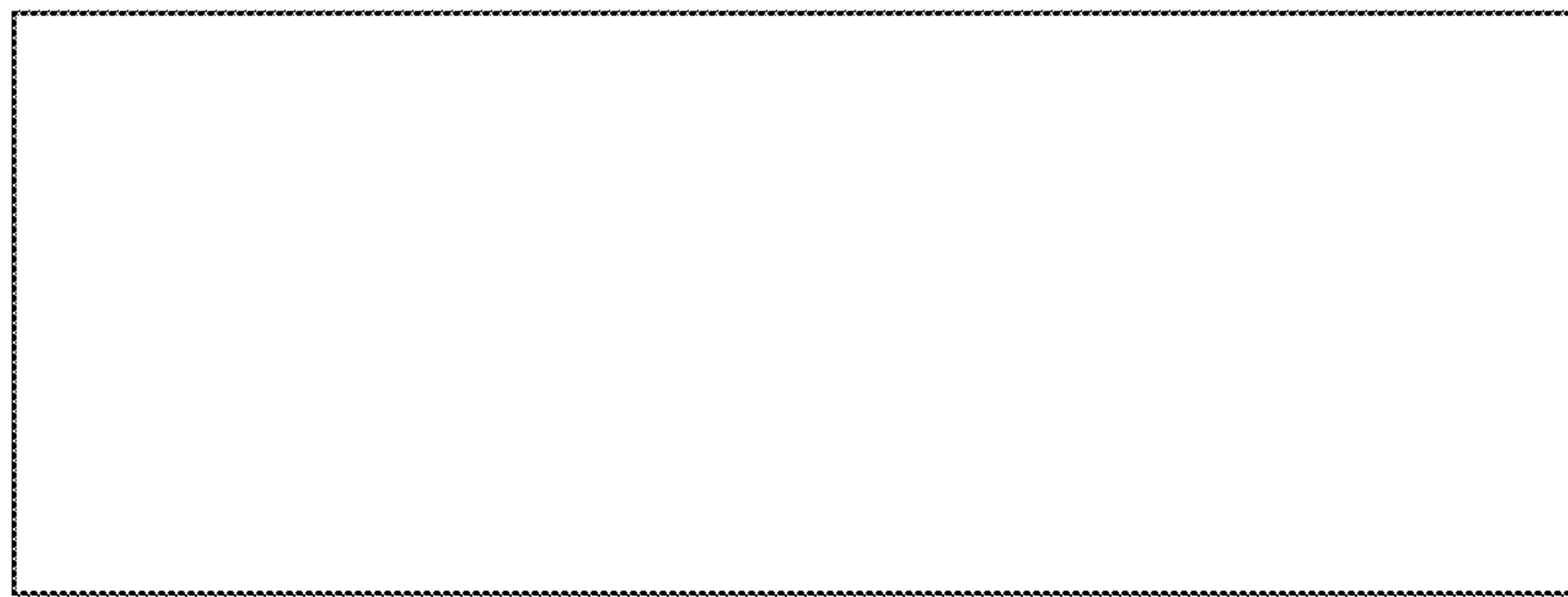


Fig. 2

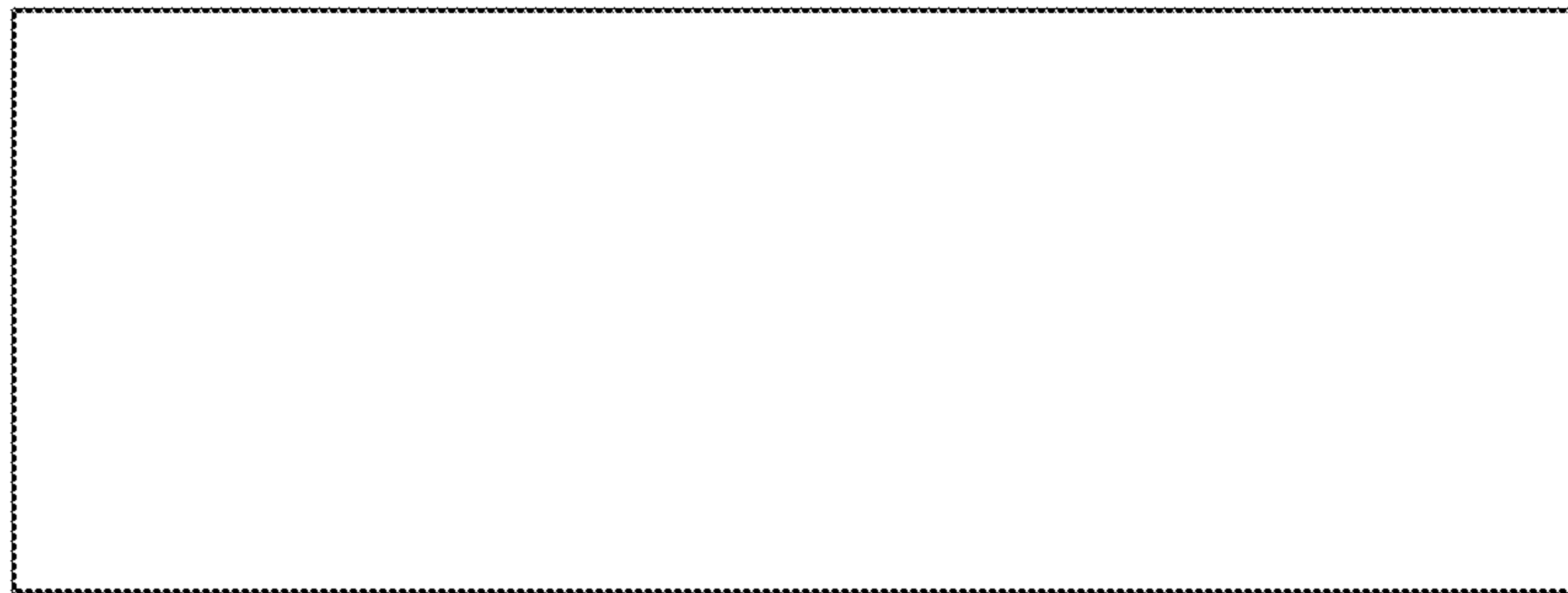


Fig. 3

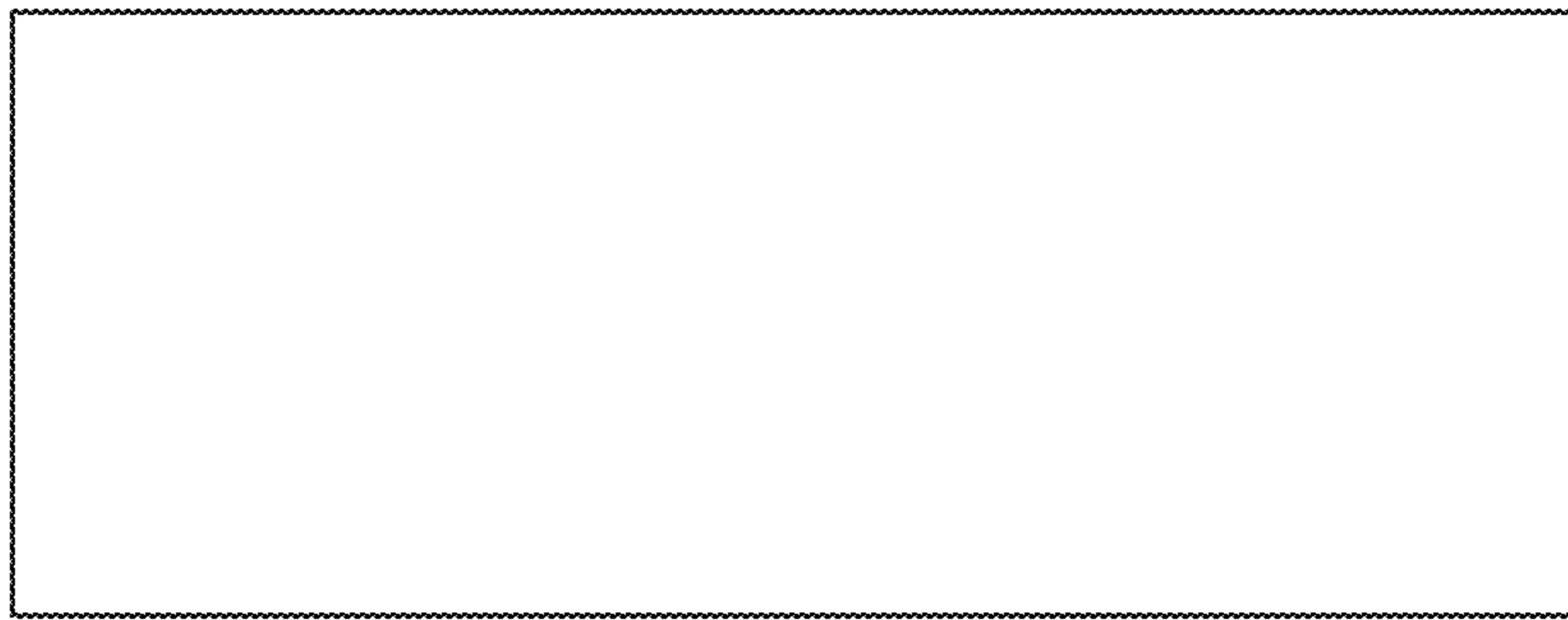


Fig. 4

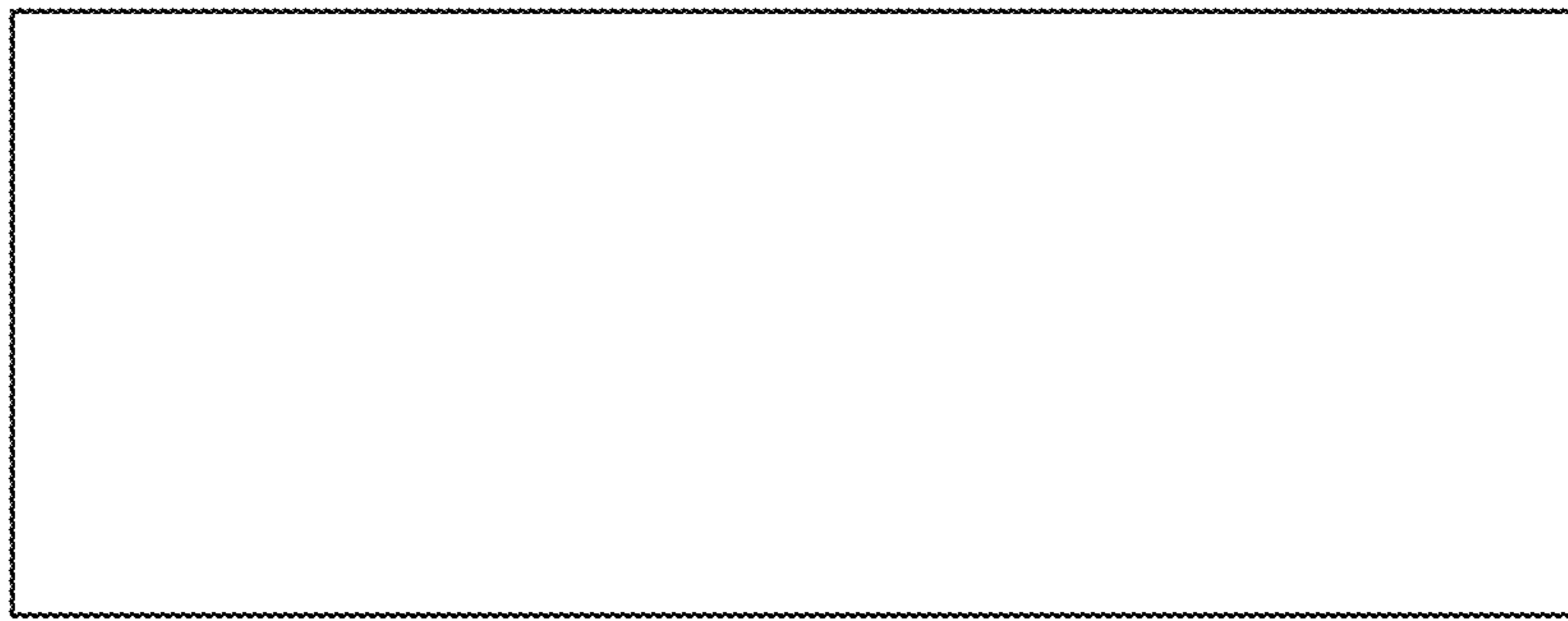


Fig. 5

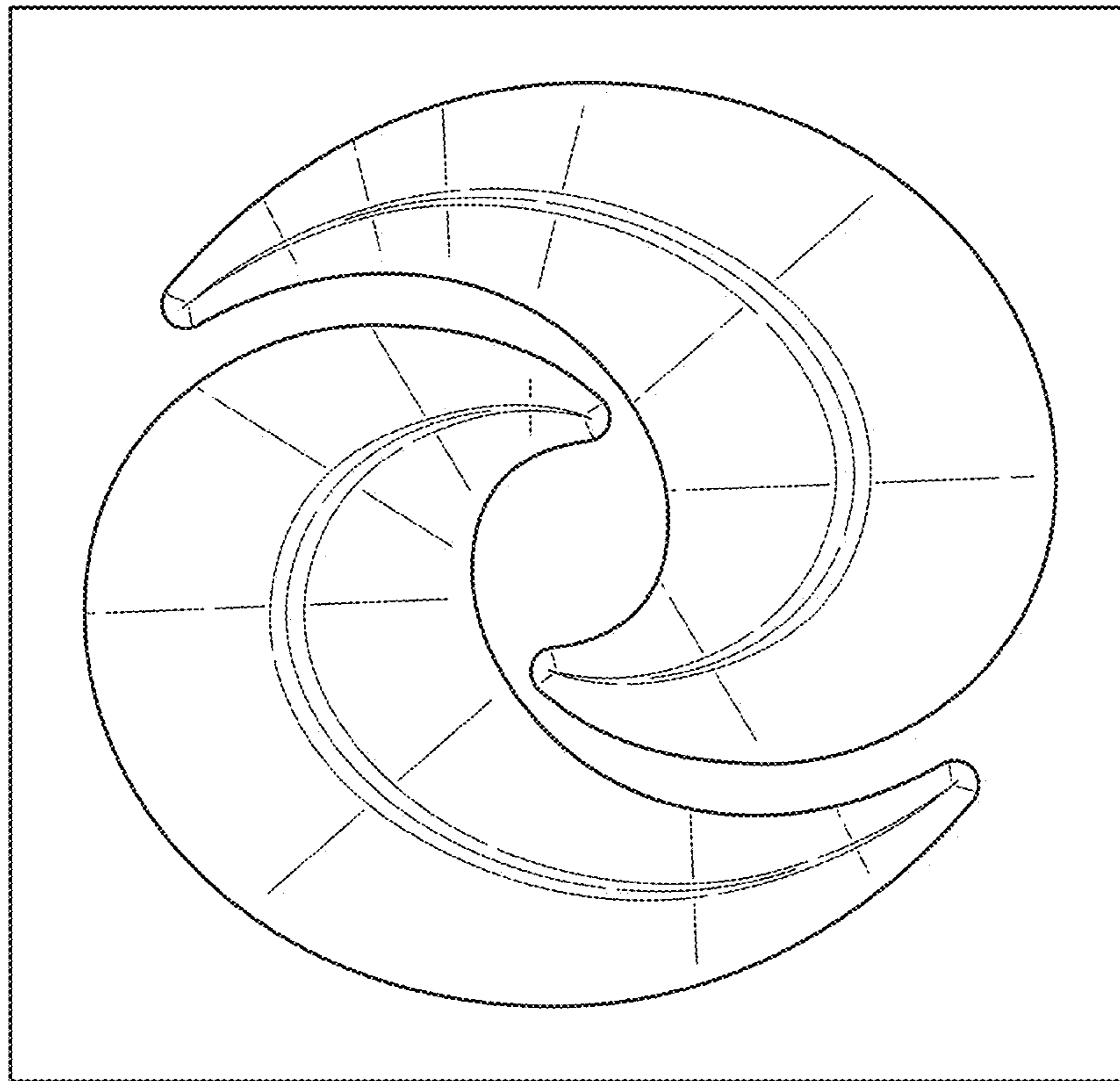


Fig. 6

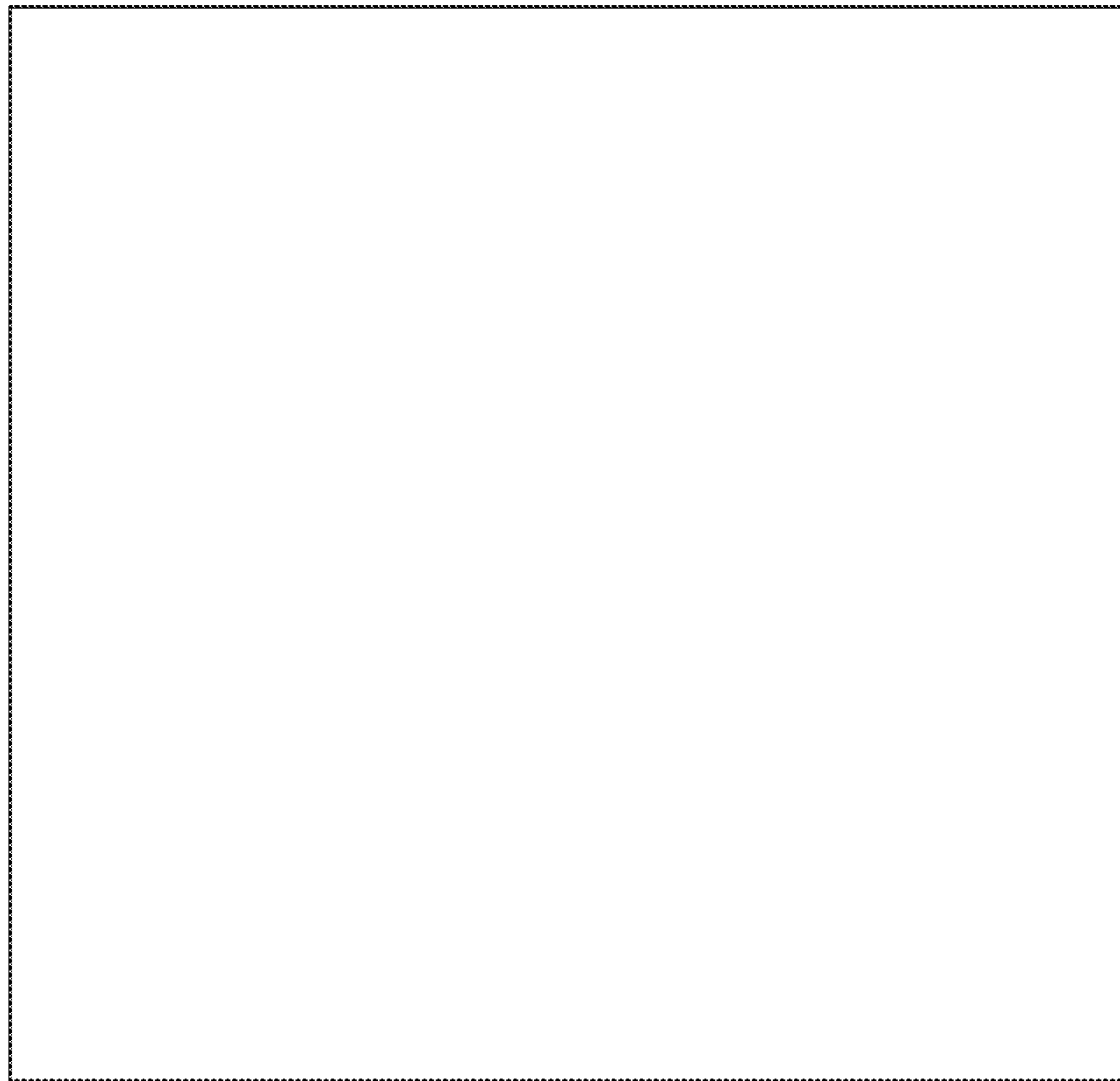


Fig. 7

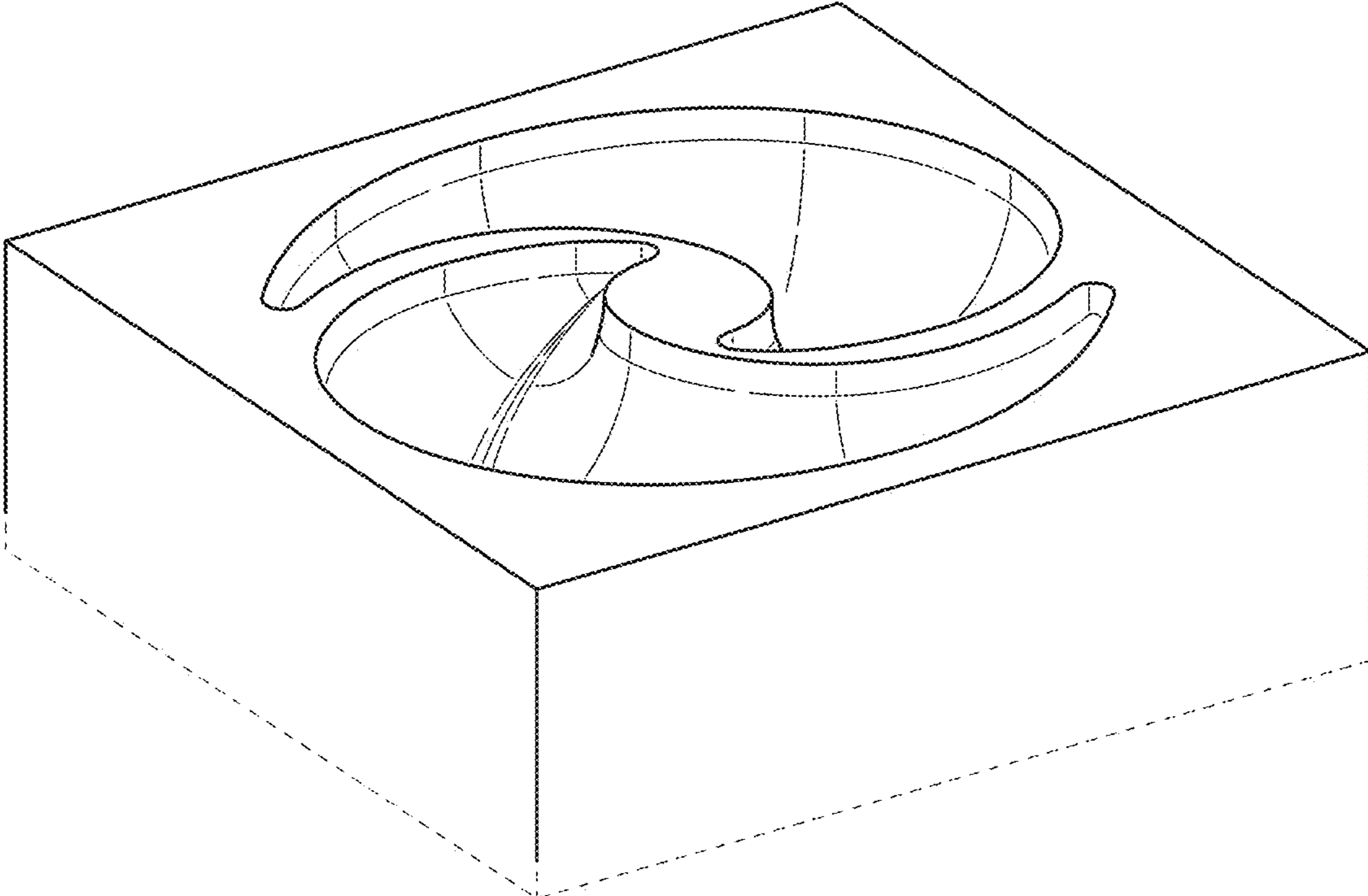


Fig. 8

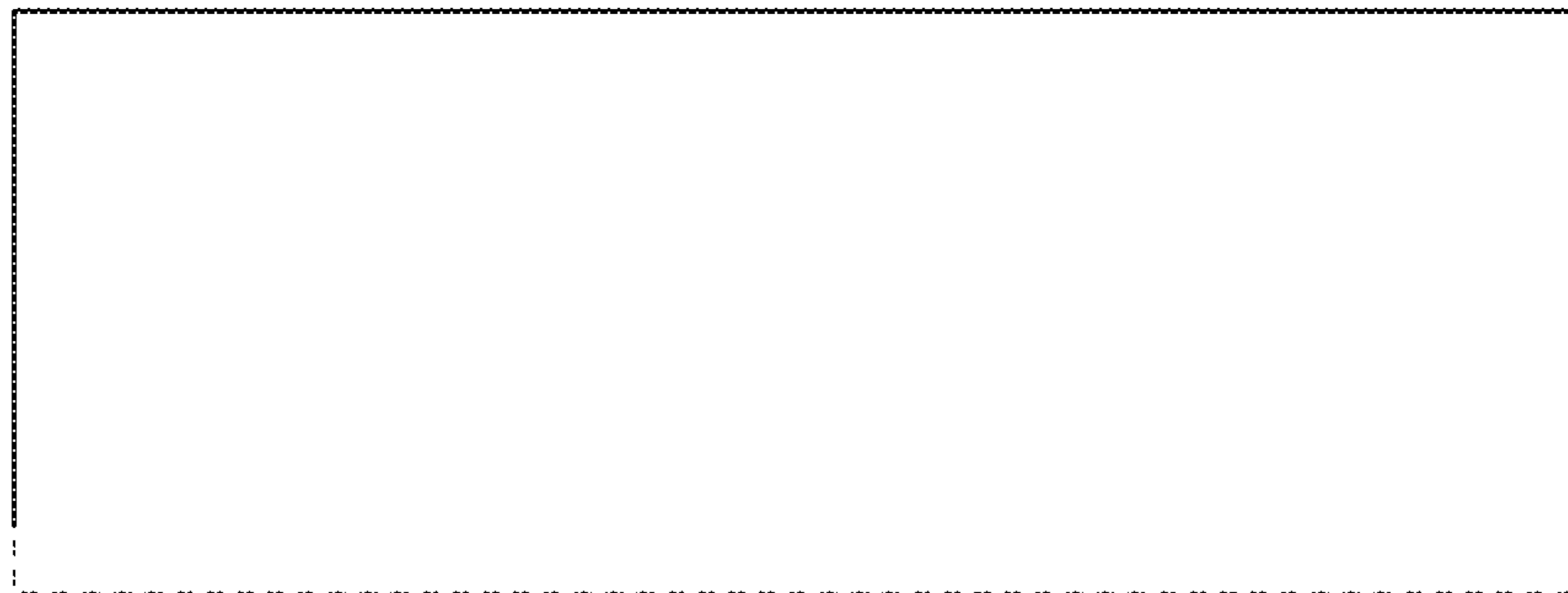


Fig. 9



Fig. 10



Fig. 11



Fig. 12

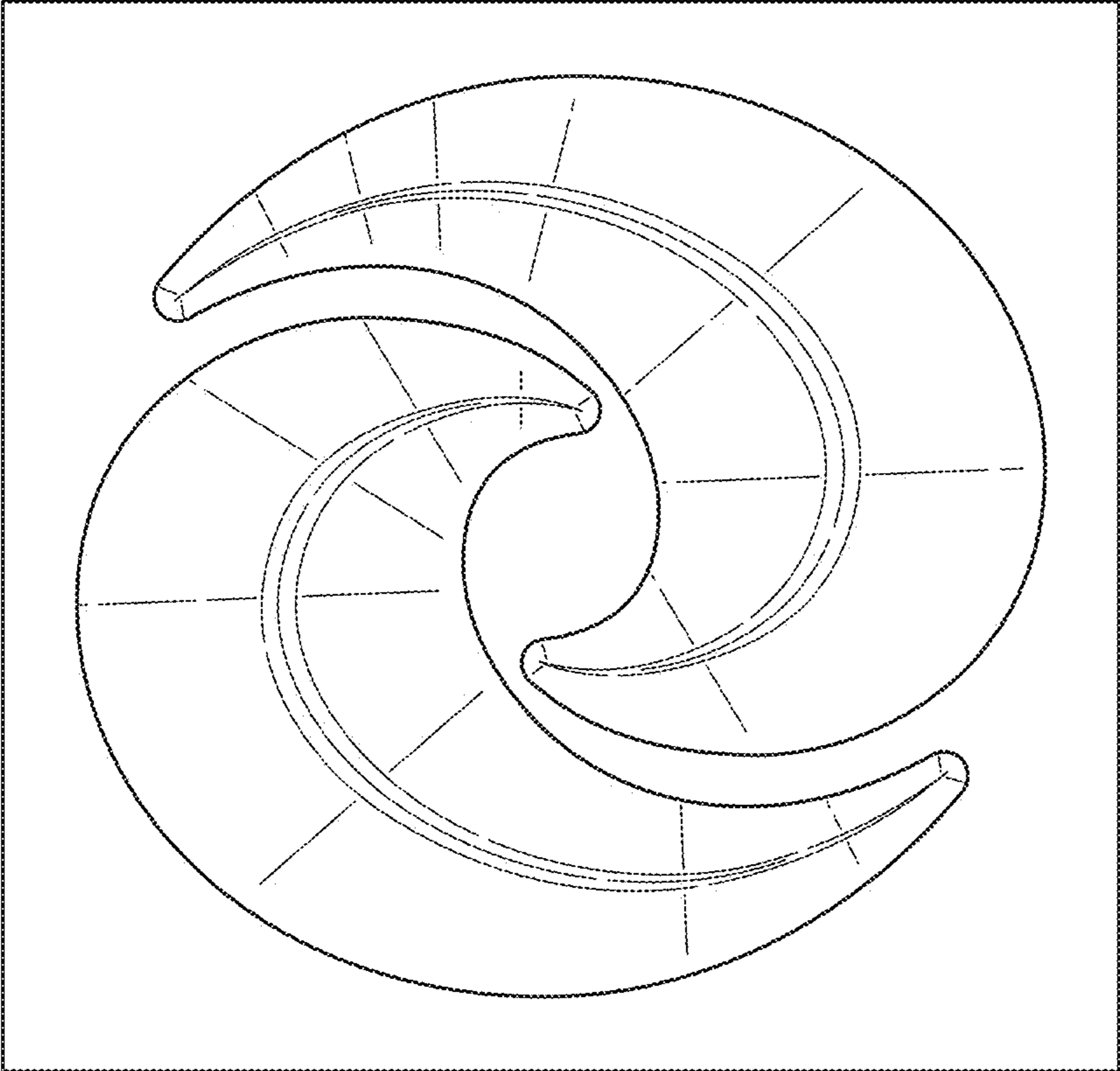


Fig. 13

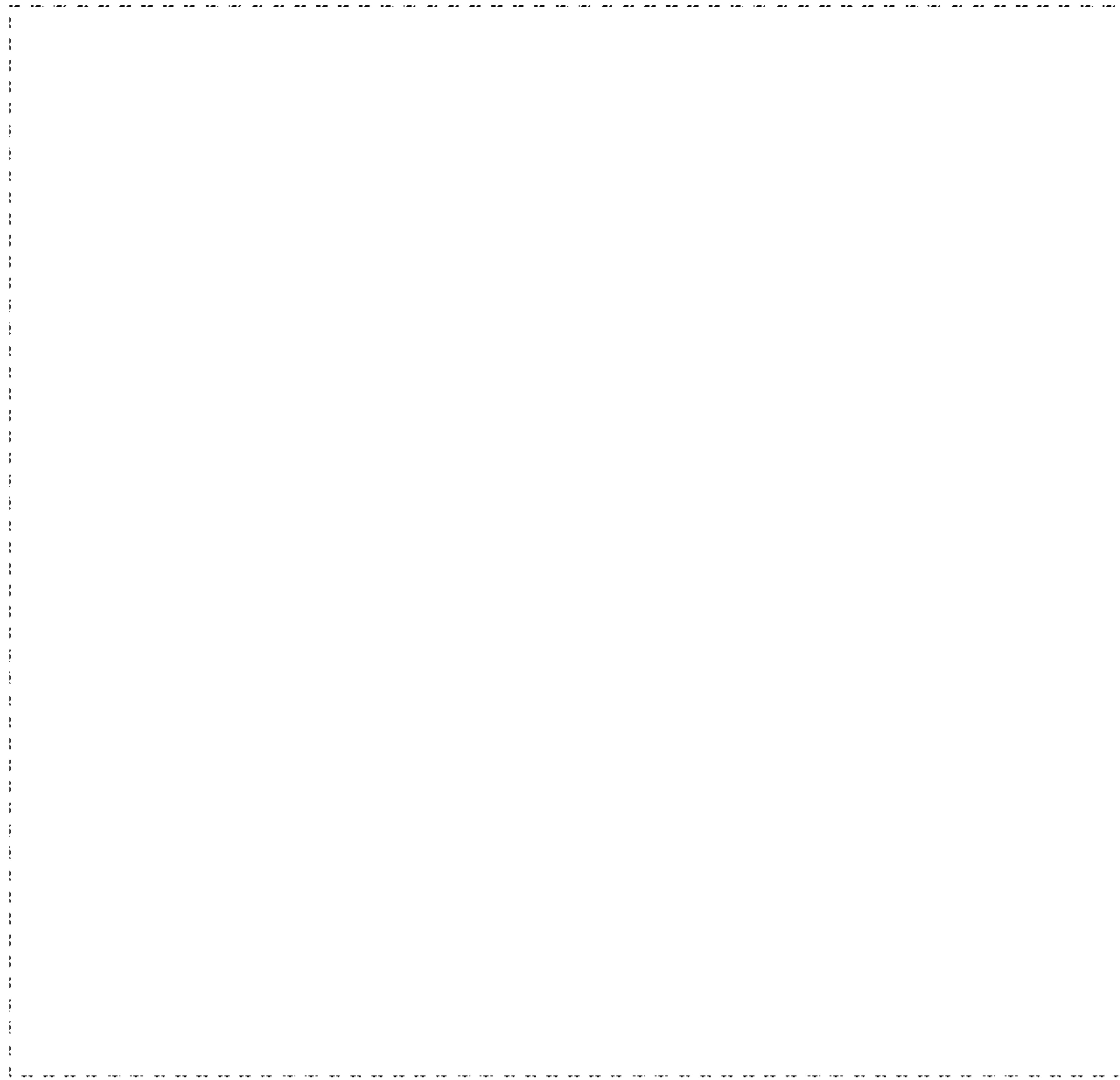


Fig. 14

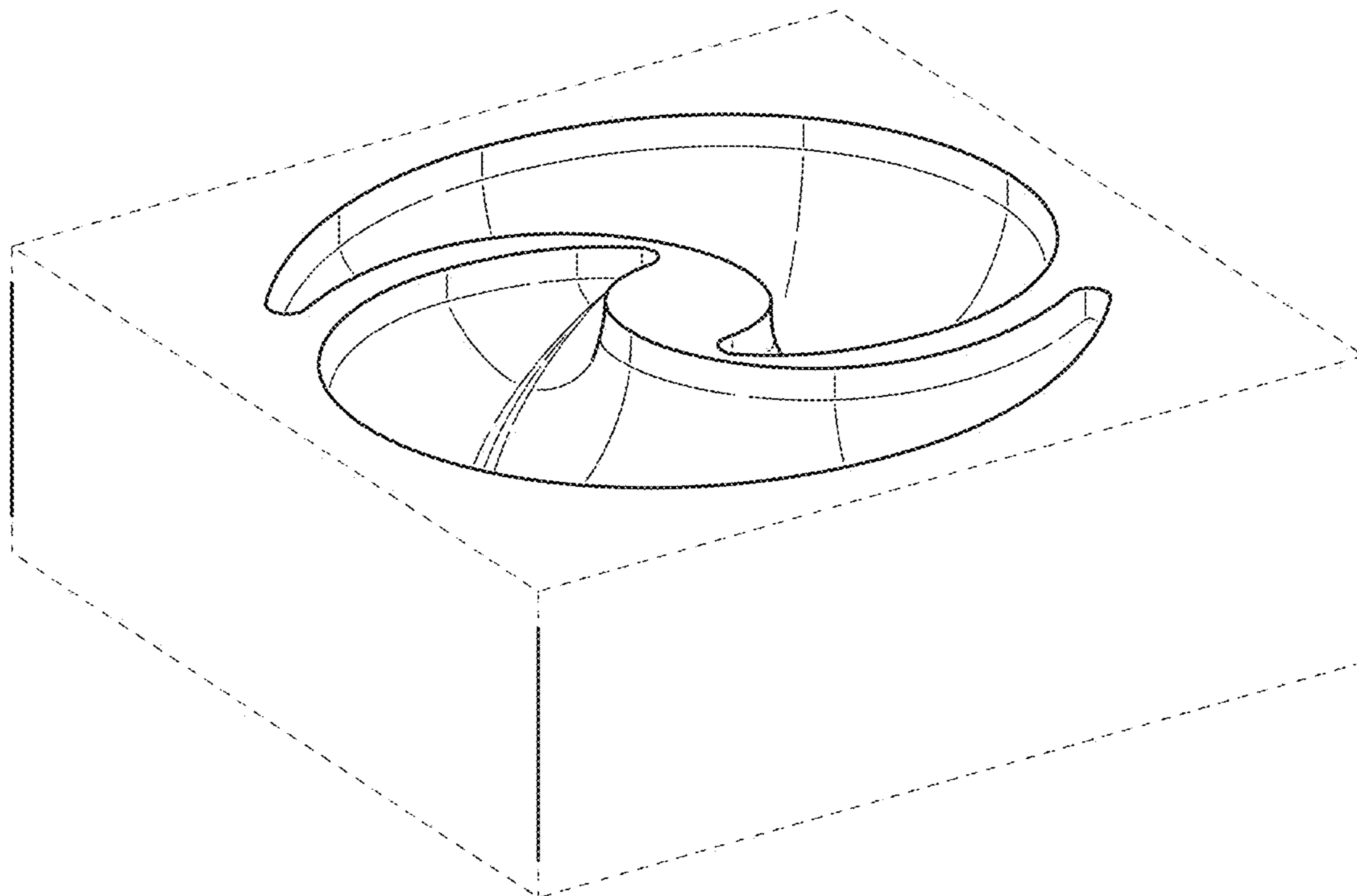


Fig. 15



Fig. 16



Fig. 17



Fig. 18



Fig. 19

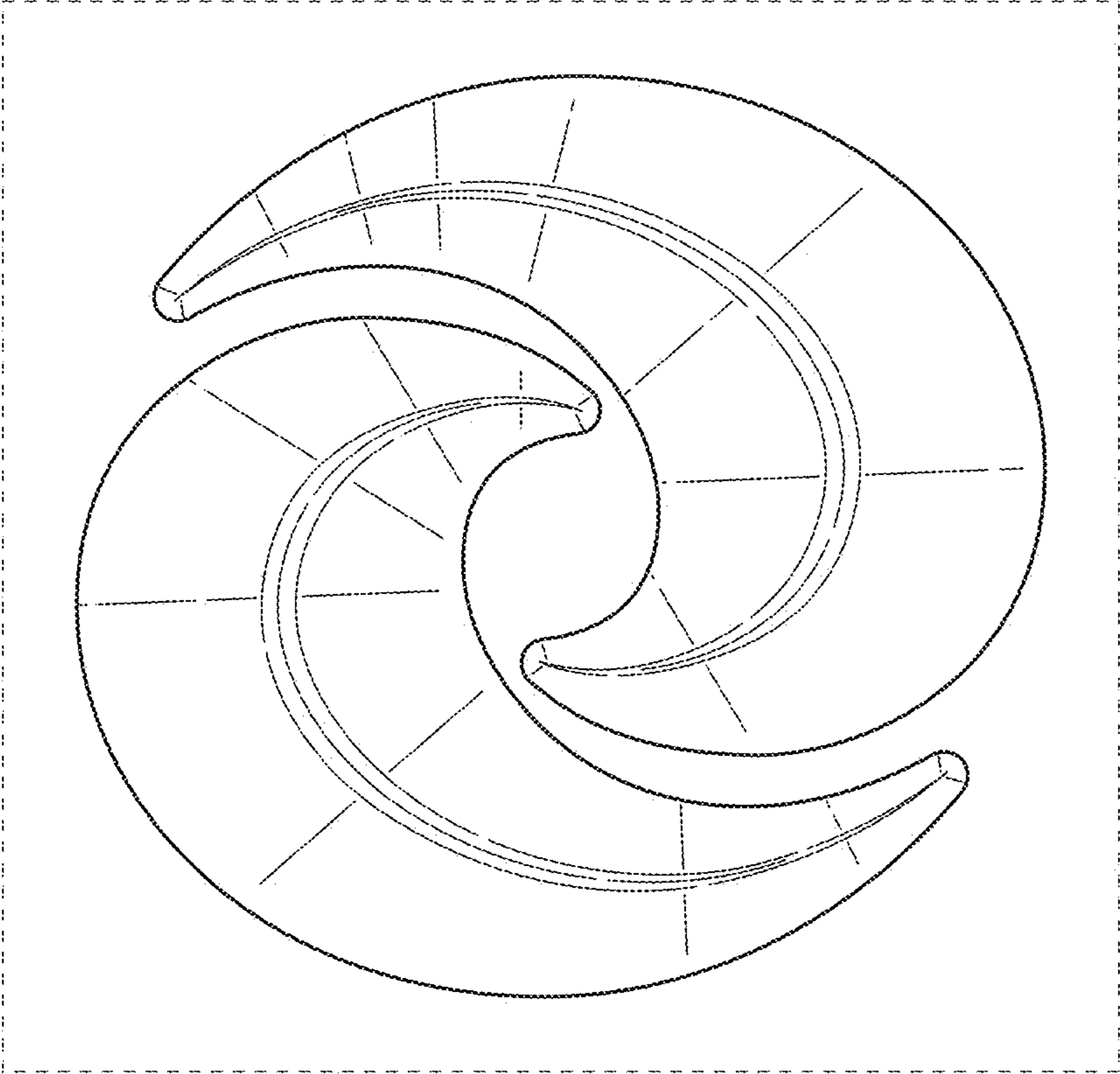


Fig. 20

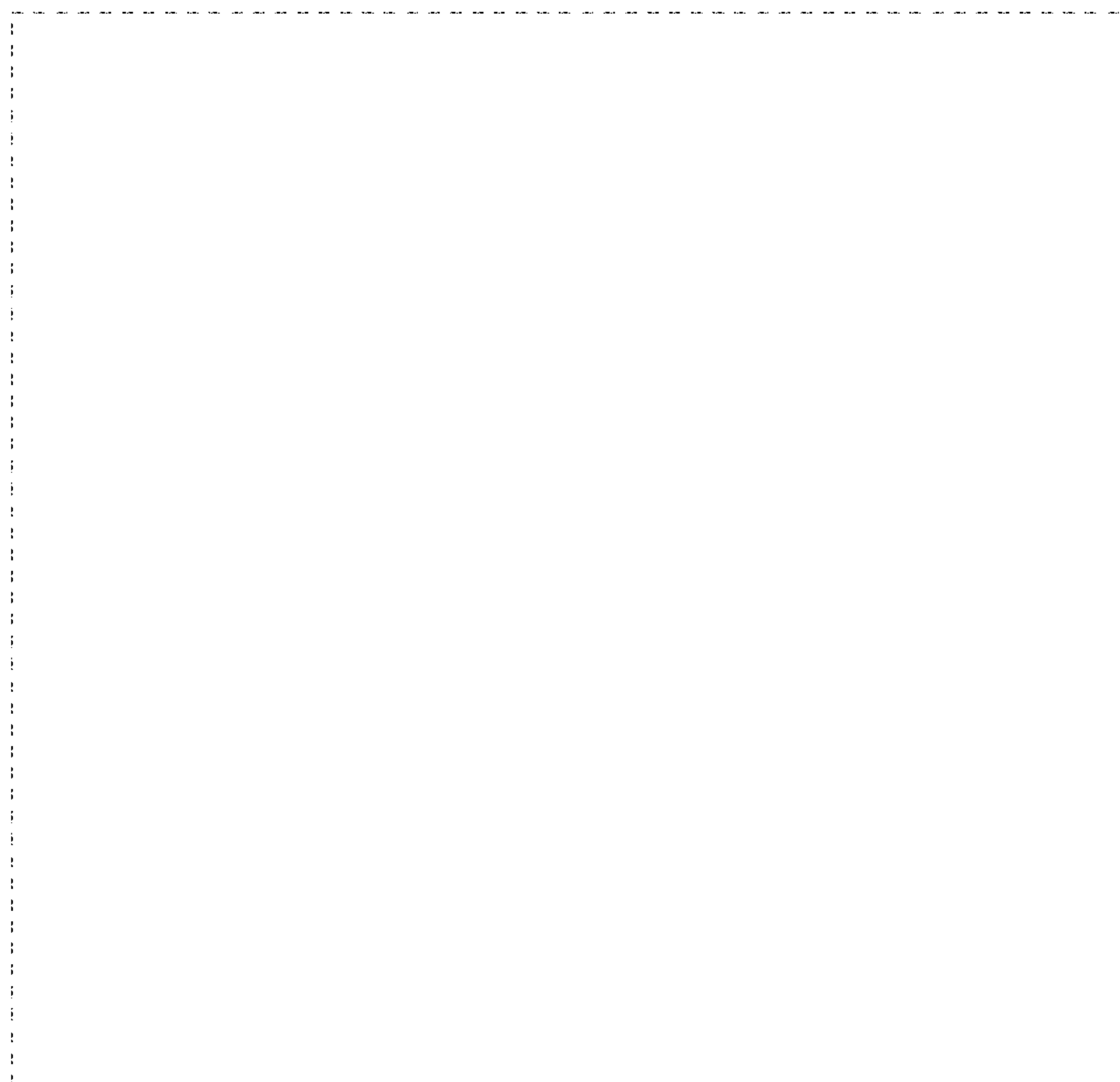


Fig. 21