



US00D877214S

(12) **United States Design Patent**
Crisp et al.

(10) **Patent No.:** **US D877,214 S**

(45) **Date of Patent:** **** Mar. 3, 2020**

(54) **ELECTRONIC CUTTING MACHINE**

(71) Applicant: **Cricut, Inc.**, South Jordan, UT (US)

(72) Inventors: **Thomas Crisp**, El Cerrito, CA (US);
Grayson Stopp, San Francisco, CA (US); **Lukas Fuchs**, Amsterdam (NL)

(73) Assignee: **Cricut, Inc.**, South Jordan, UT (US)

(**) Term: **15 Years**

(21) Appl. No.: **29/658,661**

(22) Filed: **Aug. 1, 2018**

(51) **LOC (12) Cl.** **15-03**

(52) **U.S. Cl.**
USPC **D15/127**

(58) **Field of Classification Search**
USPC D15/122, 127, 133; D18/34.1, 34.2,
D18/34.3, 34.4, 34.5, 34.6
CPC B26D 3/166; B26D 3/169
See application file for complete search history.

(56) **References Cited**

U.S. PATENT DOCUMENTS

D483,059 S *	12/2003	Goh	D18/50
D497,940 S *	11/2004	Hwang	D18/50
D597,572 S *	8/2009	Tsai	D15/146
D720,395 S *	12/2014	Umezawa	D18/34.3
D780,181 S *	2/2017	Peng	D14/422
D795,338 S *	8/2017	Umezawa	D18/34.3
D802,657 S *	11/2017	Umezawa	D18/34.9
D852,269 S *	6/2019	Umezawa	D18/34.3
D854,059 S *	7/2019	Lerea	D15/127

2014/0118804 A1* 5/2014 Tomono H04N 1/00811
358/498
2015/0258699 A1* 9/2015 Vander Woude B26D 5/20
83/13
2017/0259450 A1* 9/2017 Oka B26D 3/10

* cited by examiner

Primary Examiner — Khawaja Anwar

(74) *Attorney, Agent, or Firm* — Honigman LLP

(57) **CLAIM**

The ornamental design for an electronic cutting machine, as shown and described.

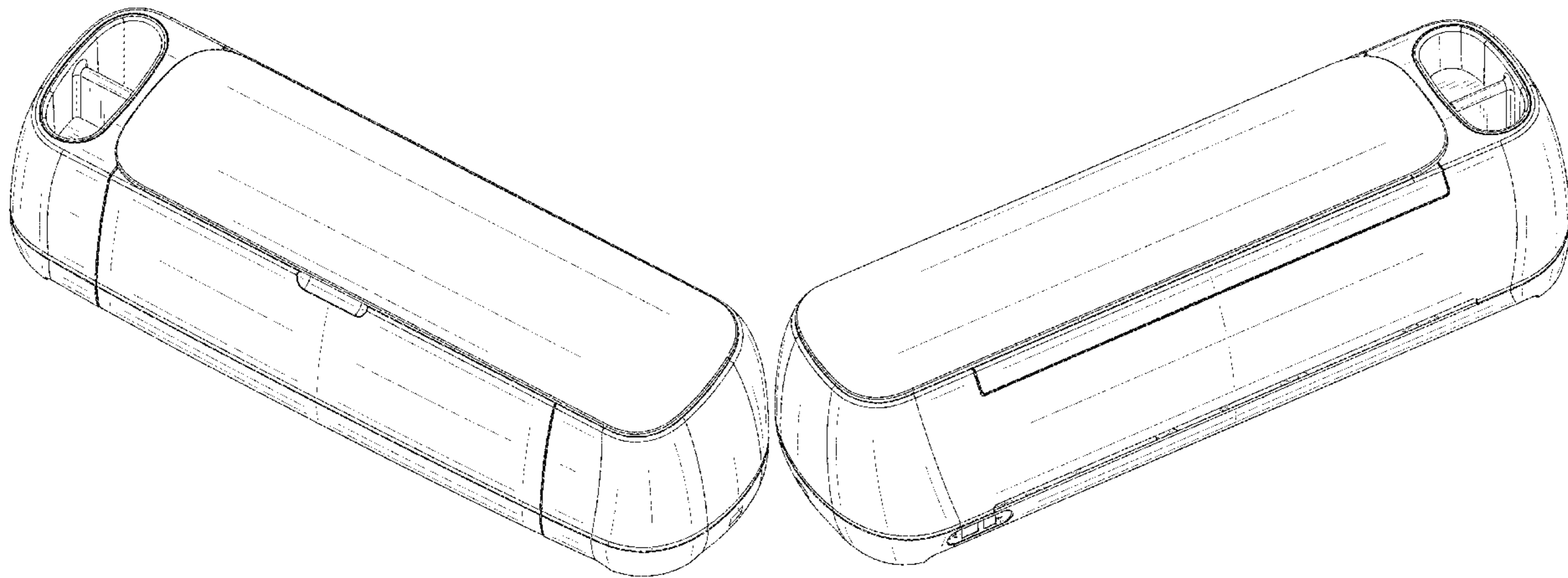
DESCRIPTION

FIG. 1 is a front/right side isometric view of the electronic cutting machine,
FIG. 2 is a rear/right side isometric view of the electronic cutting machine of FIG. 1,
FIG. 3 is a front elevational view of the electronic cutting machine of FIG. 1,
FIG. 4 is a rear elevational view of the electronic cutting machine of FIG. 1,
FIG. 5 is a right side elevational view of the electronic cutting machine of FIG. 1,
FIG. 6 is a left side elevational view of the electronic cutting machine of FIG. 1,
FIG. 7 is a top plan view of the electronic cutting machine of FIG. 1; and,
FIG. 8 is a bottom view of the electronic cutting machine of FIG. 1.

The shade lines in the Figures show contour and not surface ornamentation.

The broken lines in the Figures show portions of the electronic cutting machine which form no part of the claimed design.

1 Claim, 7 Drawing Sheets



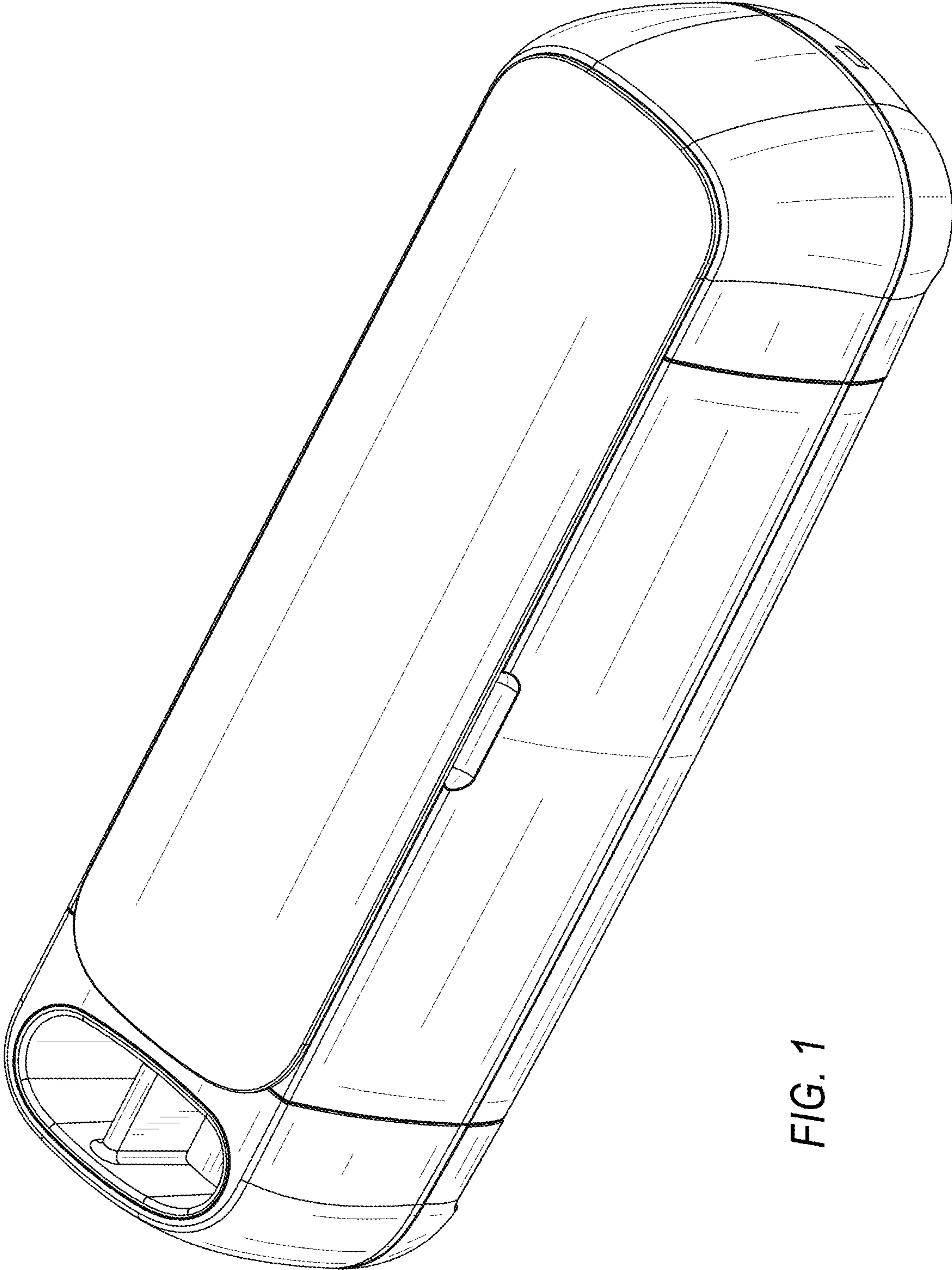


FIG. 1

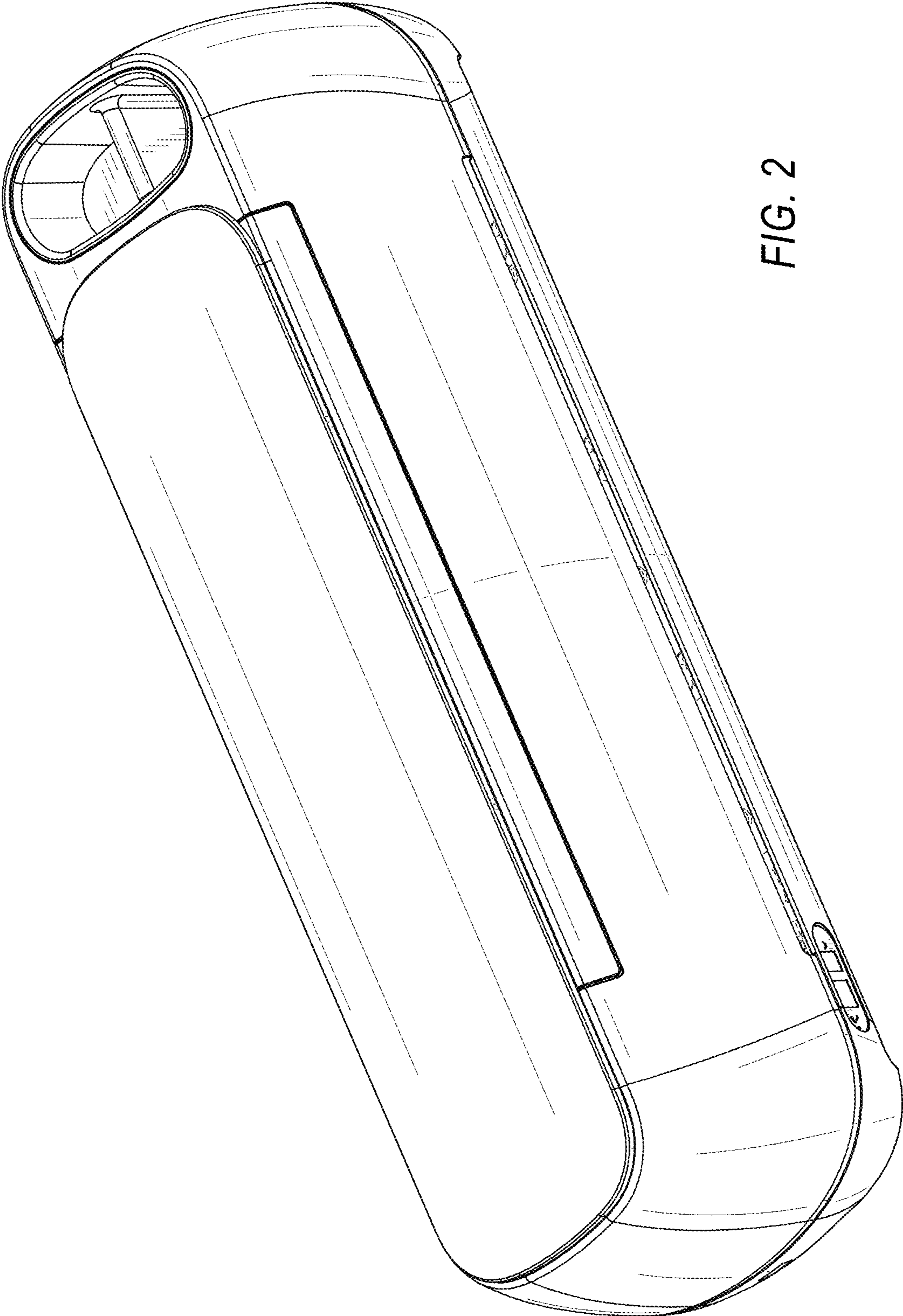


FIG. 2

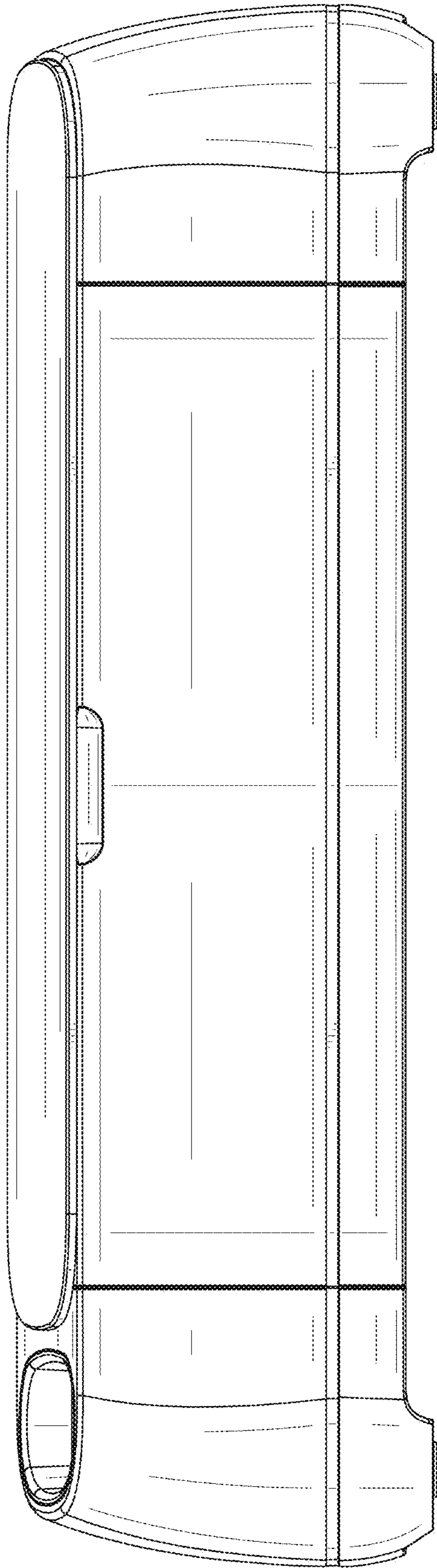


FIG. 3

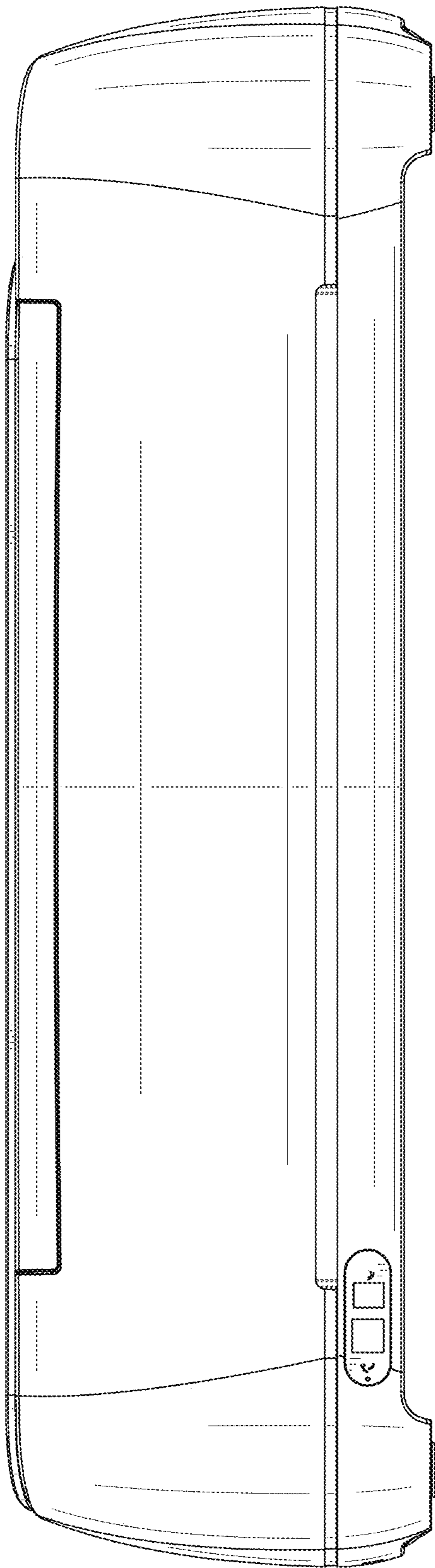


FIG. 4

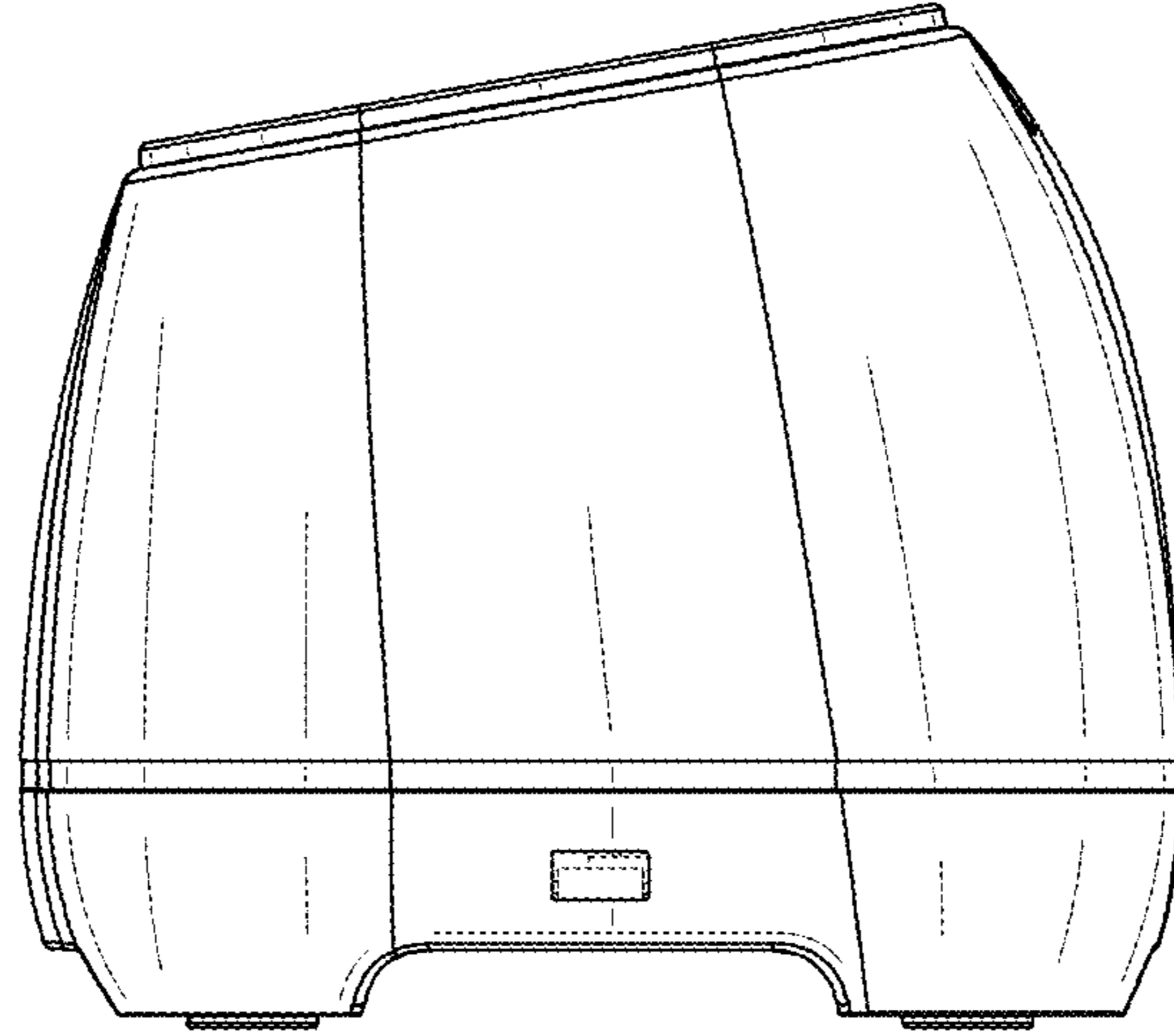


FIG. 5

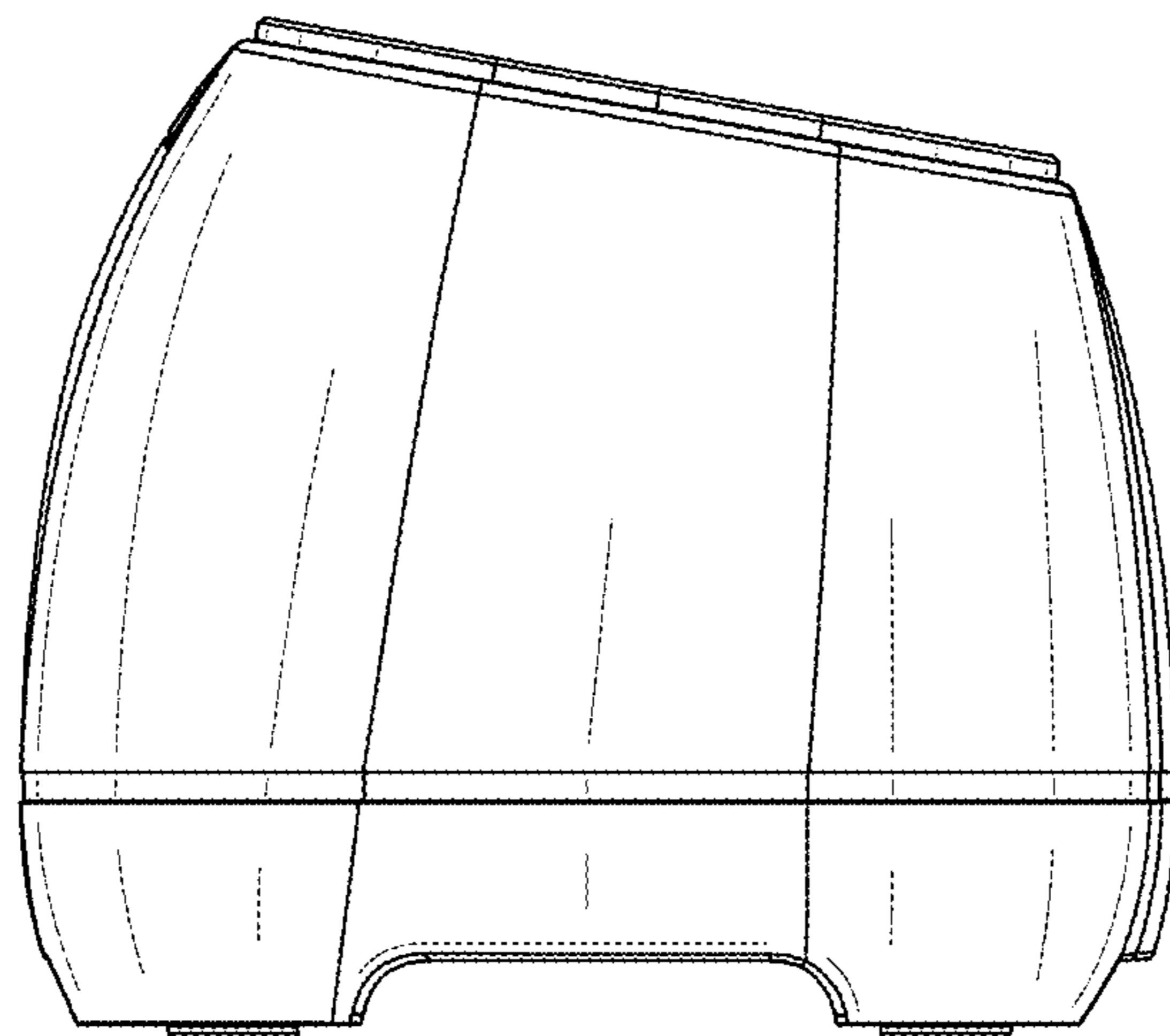


FIG. 6

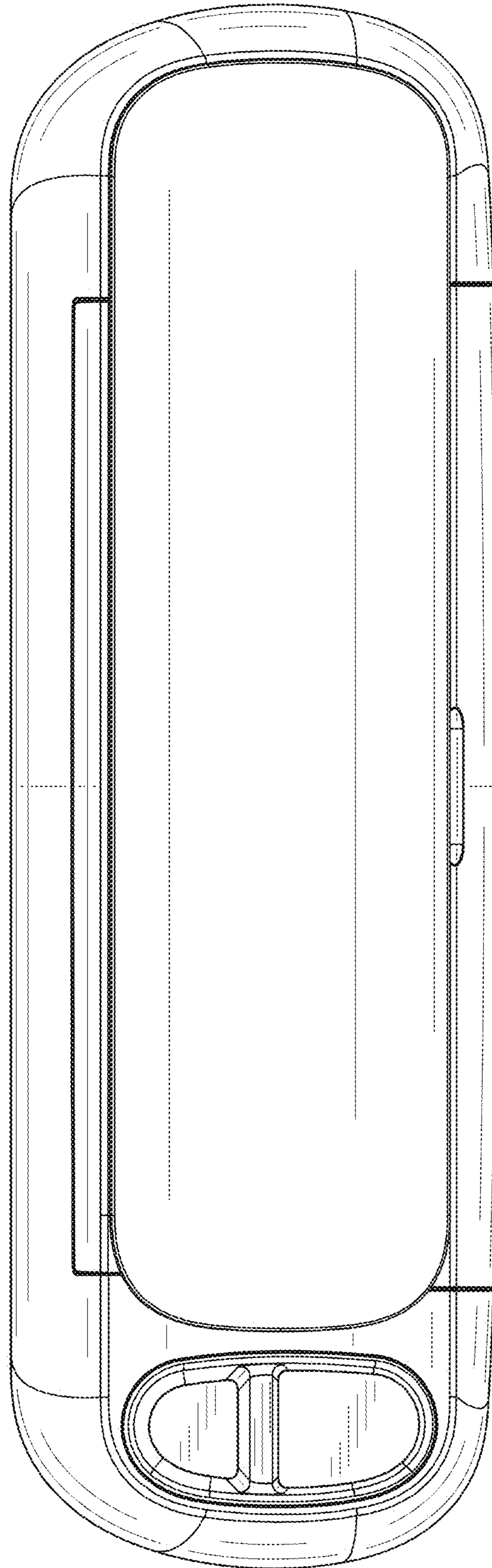


FIG. 7

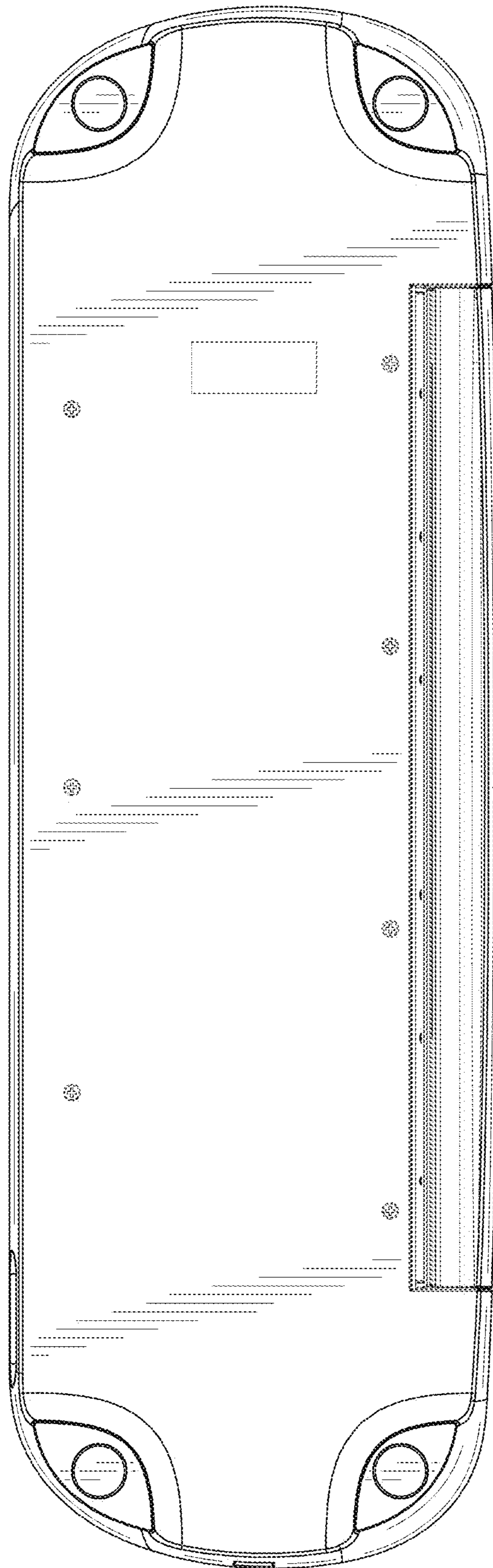


FIG. 8