

US00D877213S

(12) **United States Design Patent**  
**Lord**

(10) **Patent No.:** **US D877,213 S**

(45) **Date of Patent:** **\*\* Mar. 3, 2020**

(54) **ICE BALL MOLD**

(71) Applicant: **Silk Rose Inc.**, Brooklyn, NY (US)

(72) Inventor: **Charles Lord**, Scottsdale, AZ (US)

(\*\*) Term: **15 Years**

(21) Appl. No.: **29/672,287**

(22) Filed: **Dec. 4, 2018**

(51) **LOC (12) Cl.** ..... **15-07**

(52) **U.S. Cl.**  
USPC ..... **D15/90**

(58) **Field of Classification Search**  
USPC ..... D15/79-91; D7/368, 669, 603, 605, 300  
CPC .. F25J 2220/02; F25J 2270/902; F25J 3/0209;  
F25J 3/061; F25J 1/0065; F25J 1/0245;  
F25J 1/0269; F25J 1/0294; F25J 1/0298;  
F25J 2270/912; F25D 17/02; F25D  
19/006; F25D 19/00; F25D 2201/12;  
F25D 2317/063; F25D 23/028; F25D  
23/069; F25D 23/087; F25D 25/02  
See application file for complete search history.

(56) **References Cited**

U.S. PATENT DOCUMENTS

D271,769 S \* 12/1983 Daenen ..... D15/90  
D272,128 S \* 1/1984 Parmentier ..... D15/90

D272,232 S \* 1/1984 Parmentier ..... D15/90  
D446,226 S \* 8/2001 Heredia ..... D15/90  
D761,628 S \* 7/2016 Chitayat ..... D15/90  
D847,222 S \* 4/2019 Todirca ..... D15/90  
D848,494 S \* 5/2019 Hua ..... D15/90  
D852,237 S \* 6/2019 Helton ..... D15/90  
D852,238 S \* 6/2019 Kehoe ..... D15/90  
D852,854 S \* 7/2019 Helton ..... D15/90

\* cited by examiner

*Primary Examiner* — Khawaja Anwar

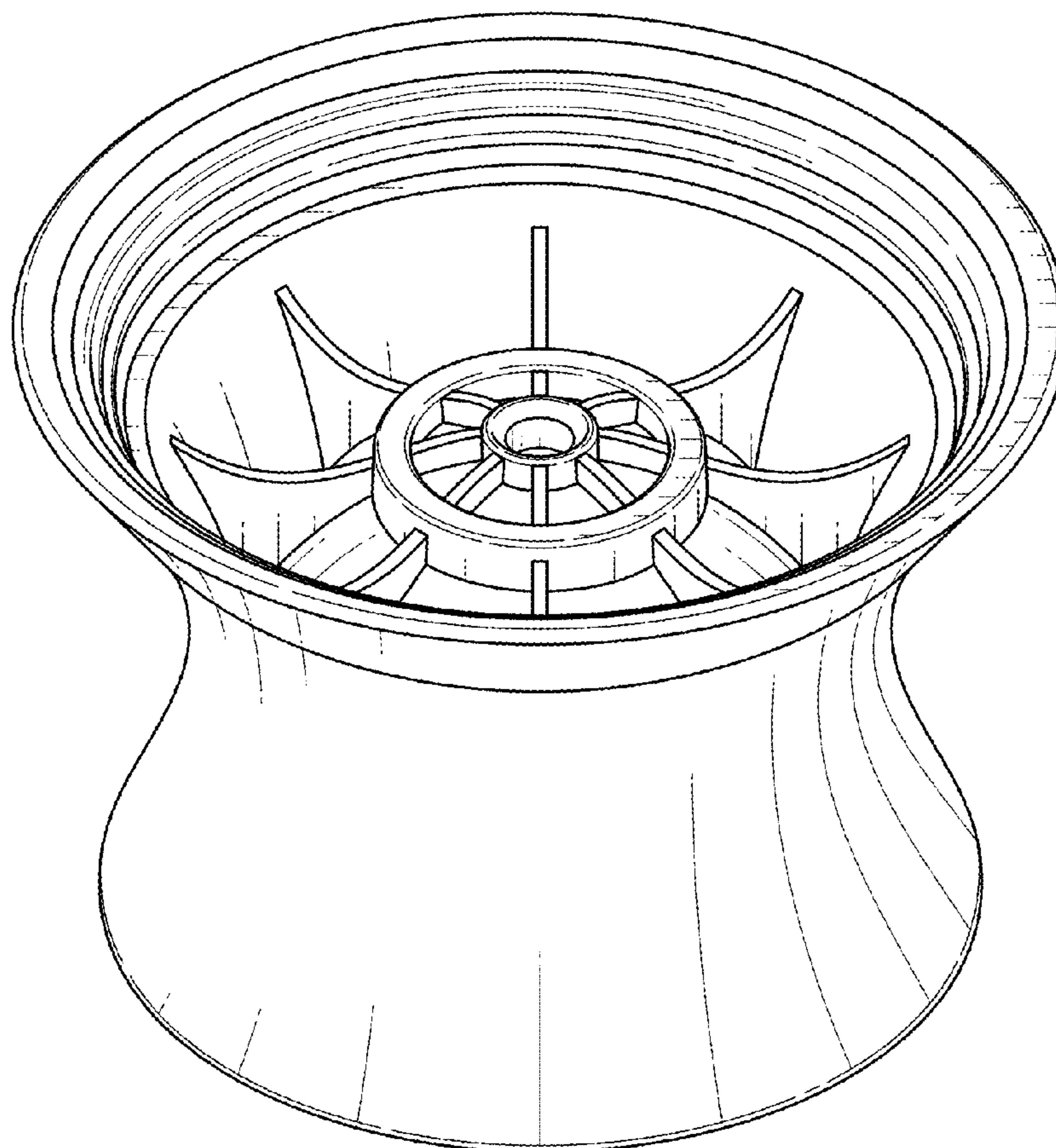
(57) **CLAIM**

The ornamental design for an ice ball mold, as shown and described.

**DESCRIPTION**

FIG. 1 is a top perspective view of the ice ball mold;  
FIG. 2 is a front view of the ice ball mold, where the opposite side is the same as side shown;  
FIG. 3 is a left side view of the ice ball mold, where the opposite side is the same as side shown;  
FIG. 4 is a top view of the ice ball mold;  
FIG. 5 is a bottom view of the ice ball mold;  
FIG. 6 is a front view of the ice ball mold;  
FIG. 7 is a sectional view of the ice ball mold taken from the 7-7 of FIG. 6;  
FIG. 8 is an exploded top view of the ice ball mold; and,  
FIG. 9 is an exploded bottom view of the ice ball mold.

**1 Claim, 6 Drawing Sheets**



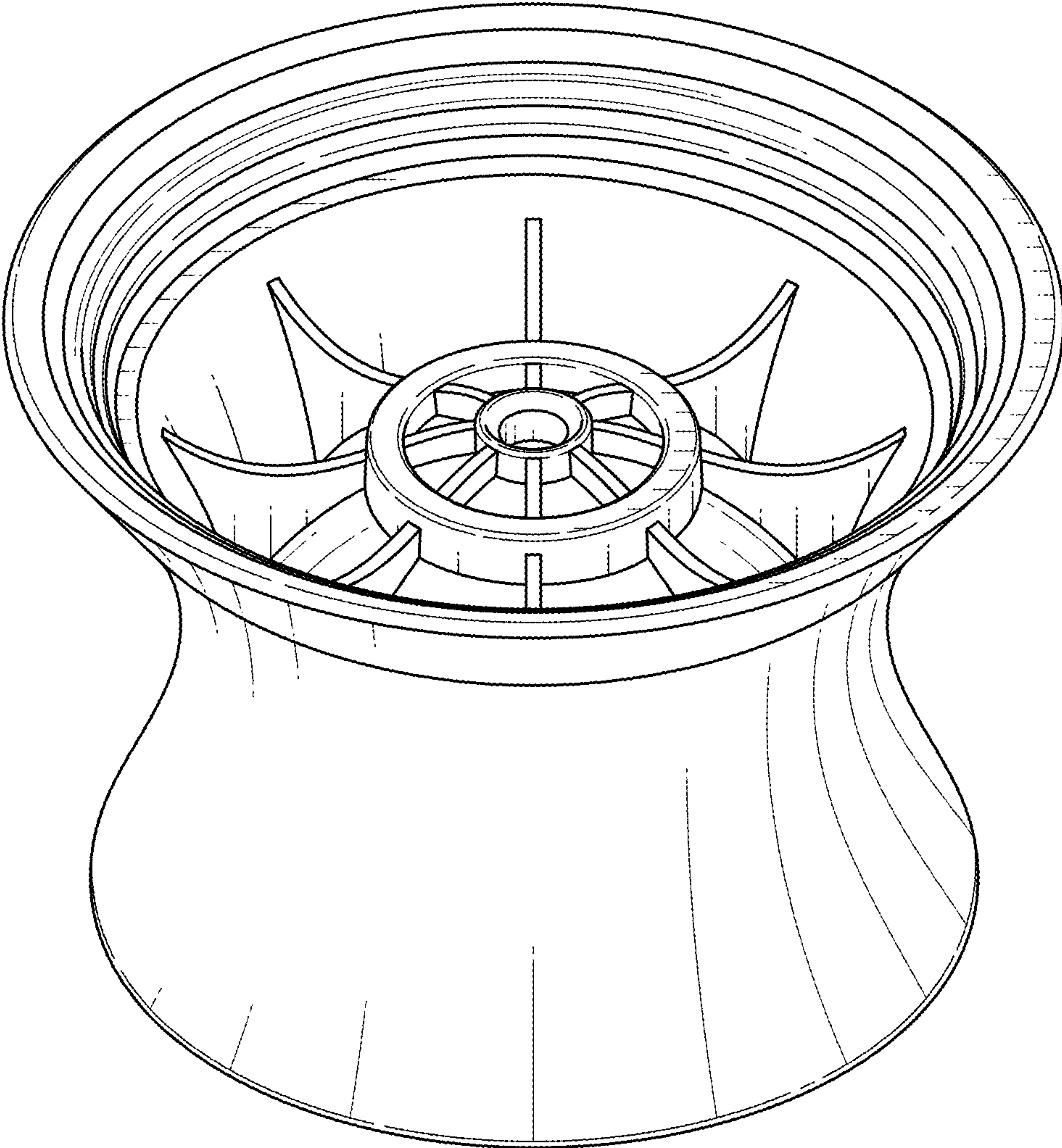


FIG. 1

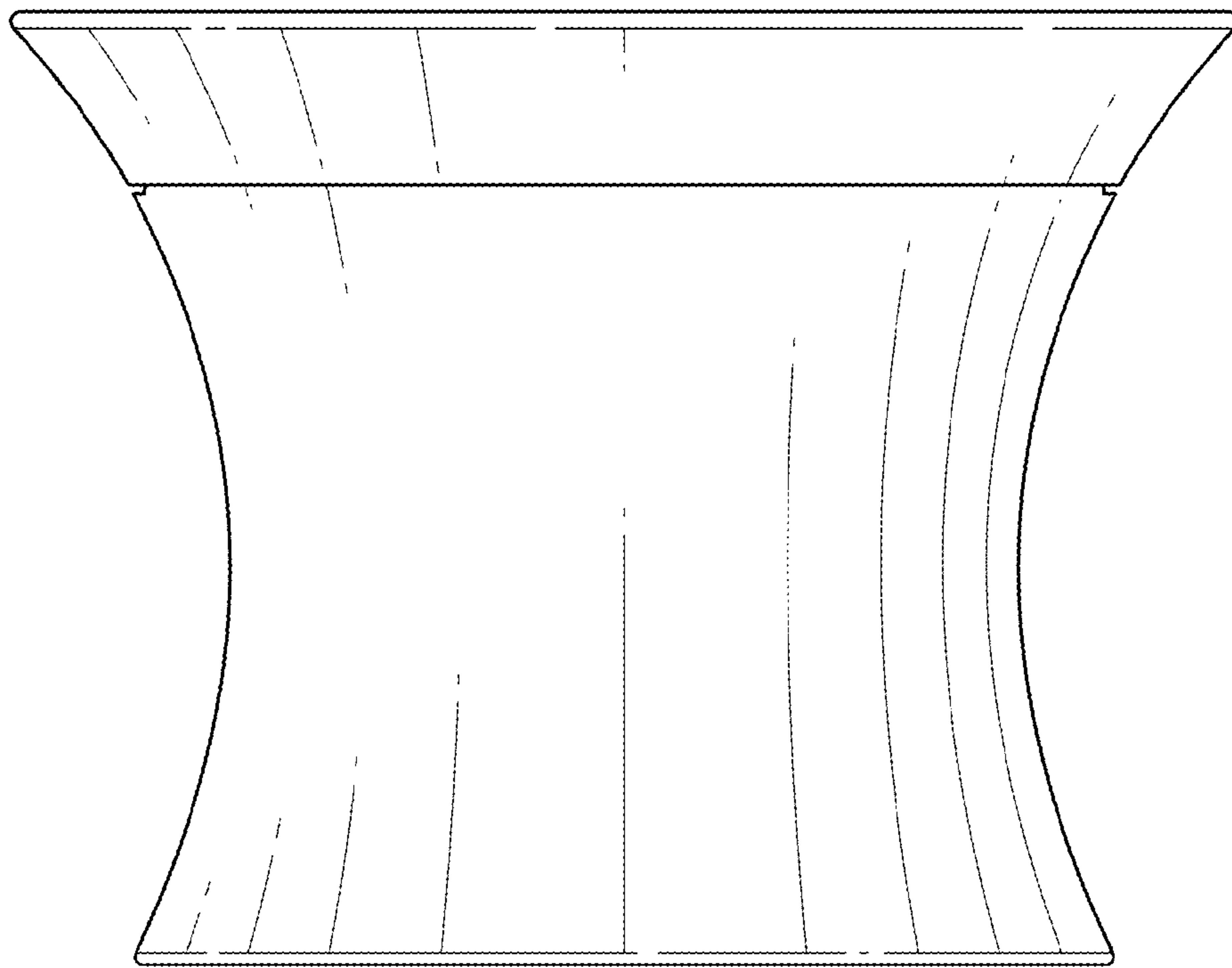


FIG. 2

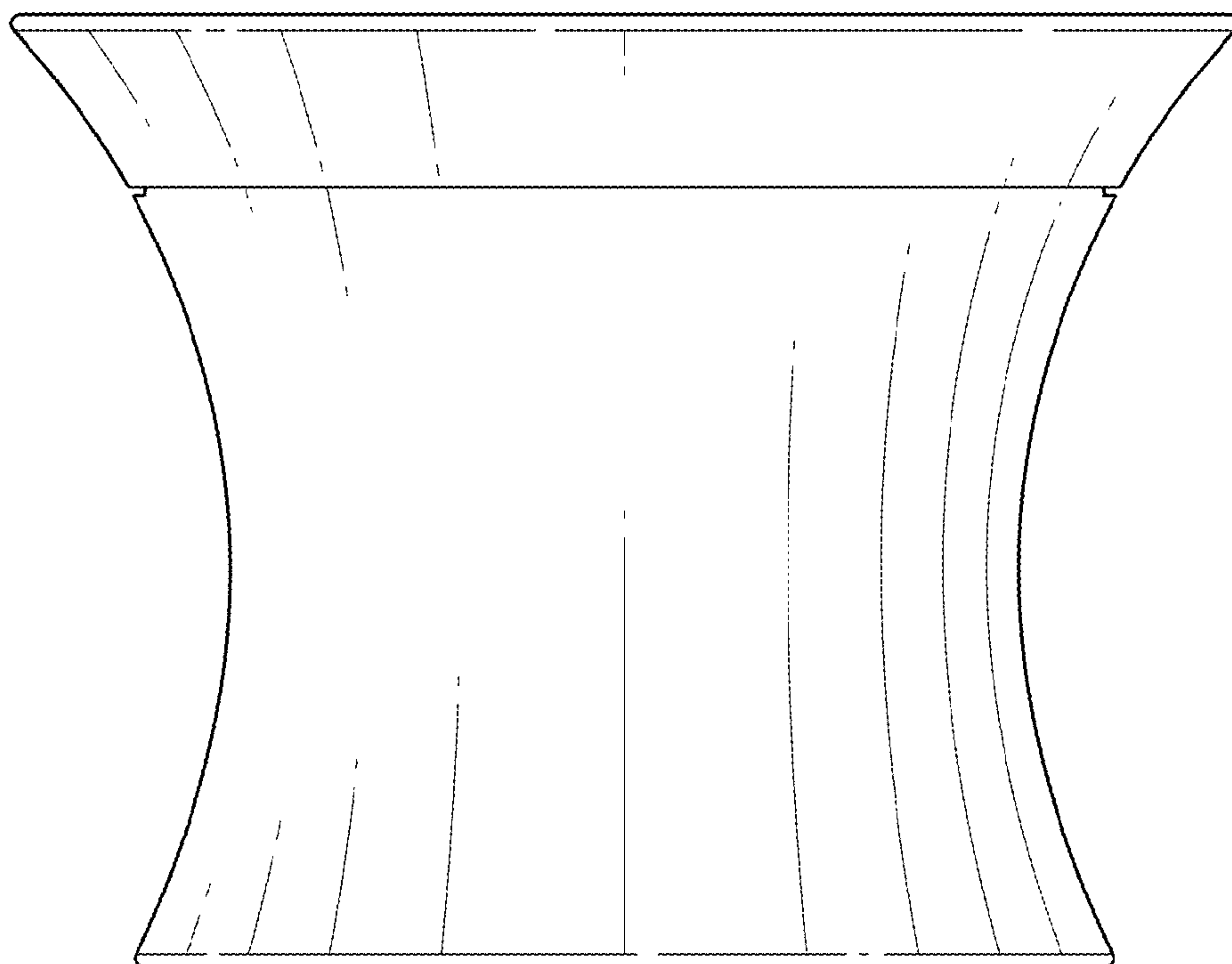


FIG. 3



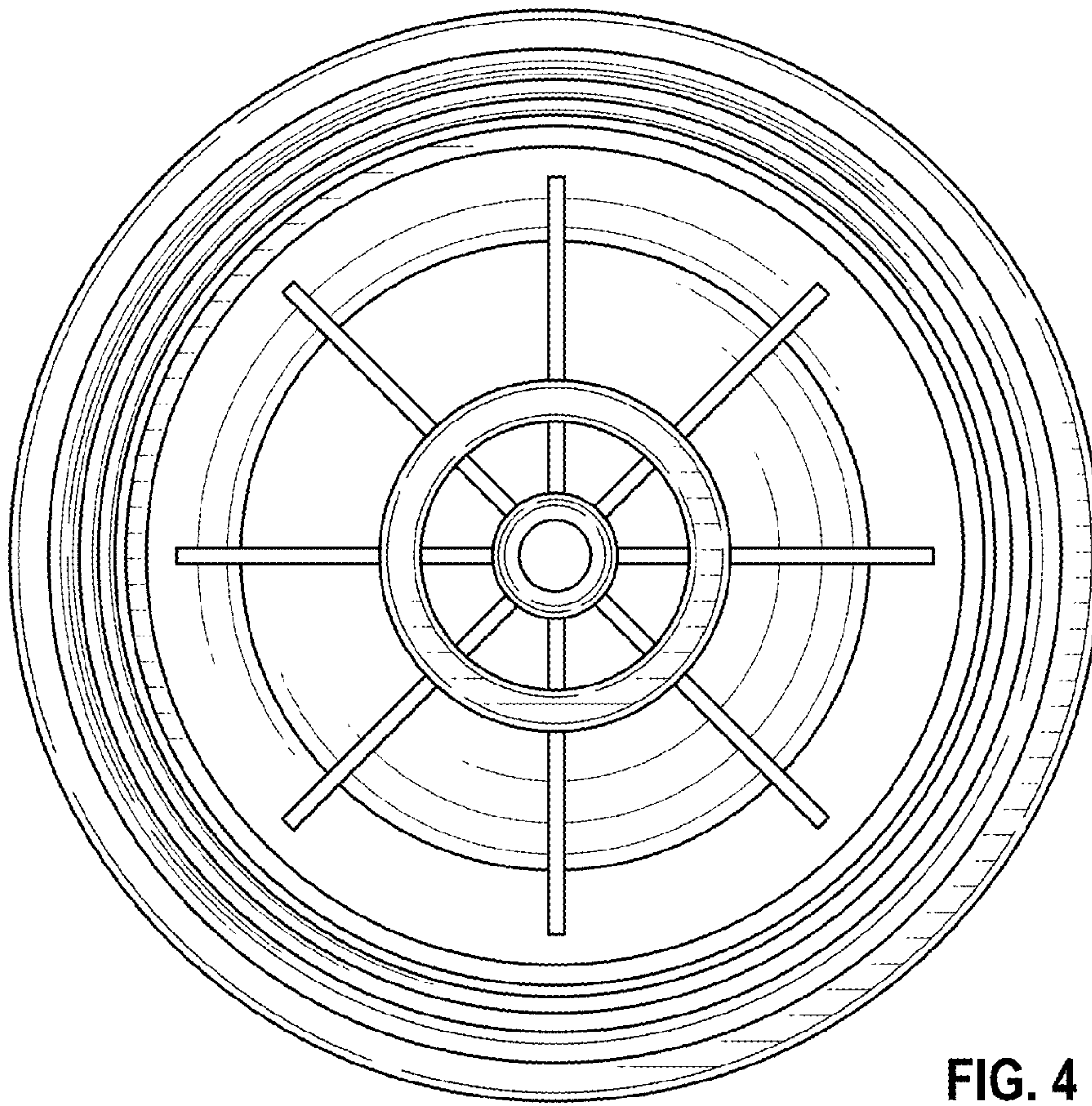


FIG. 4

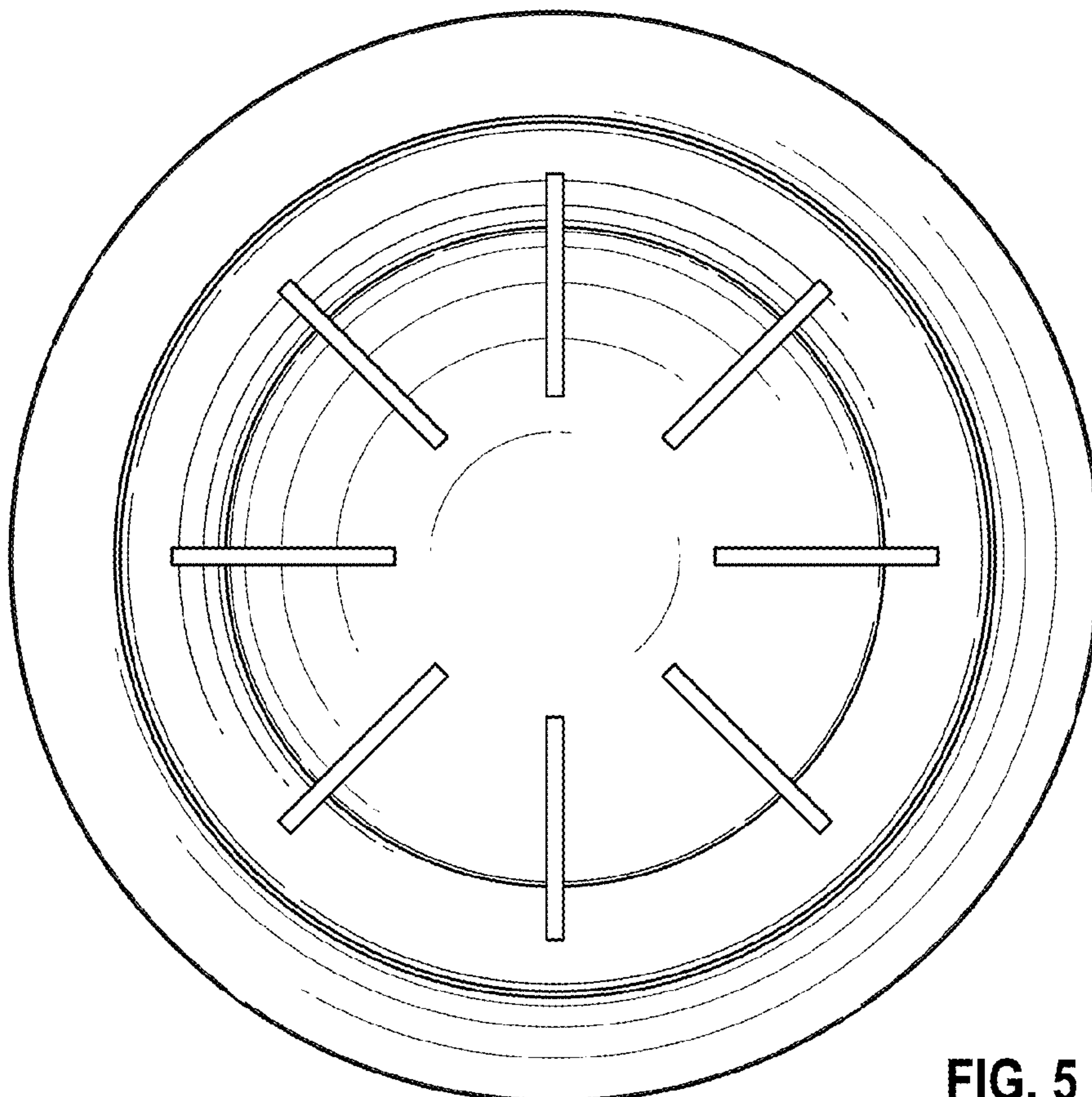


FIG. 5

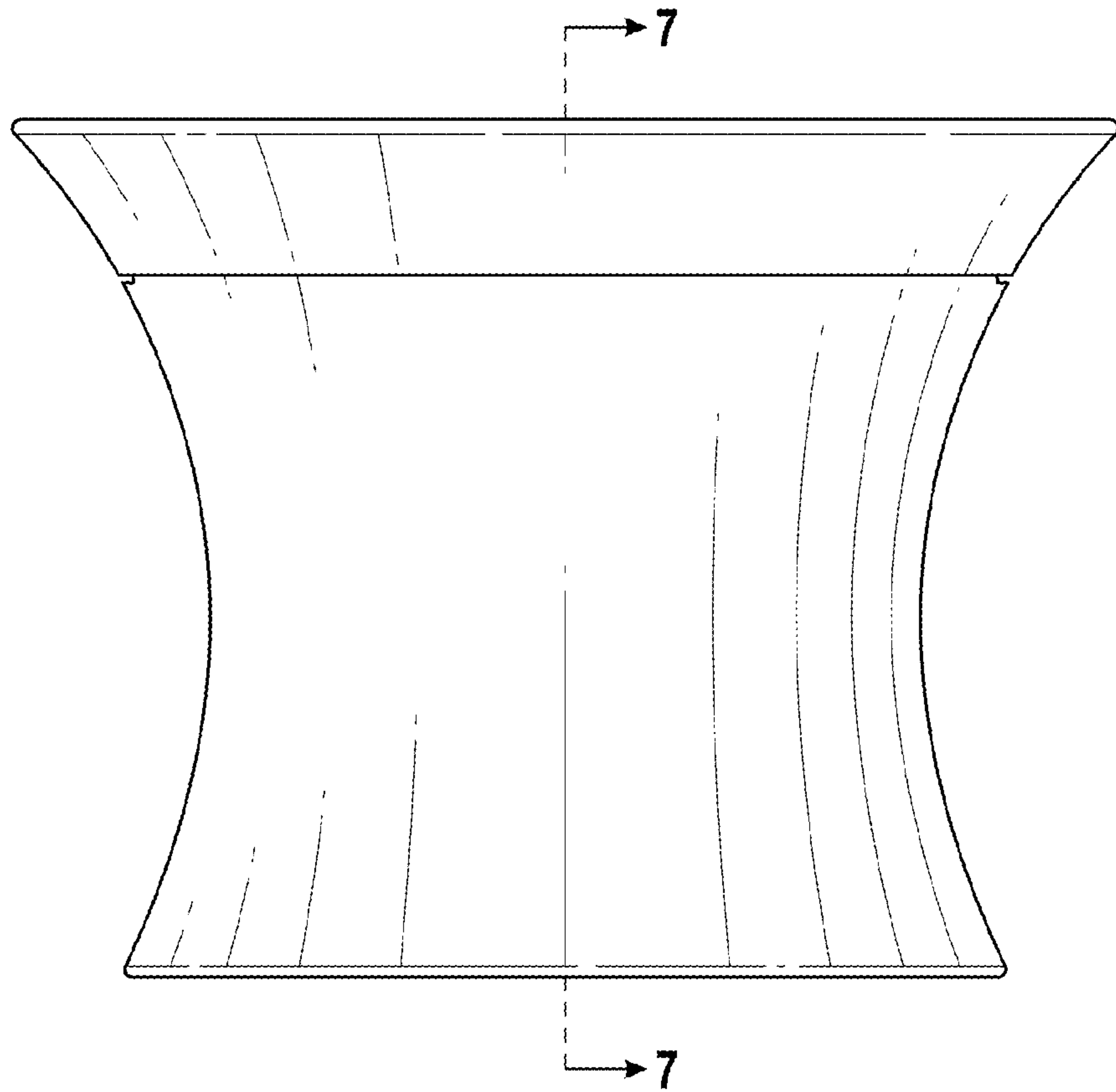


FIG. 6

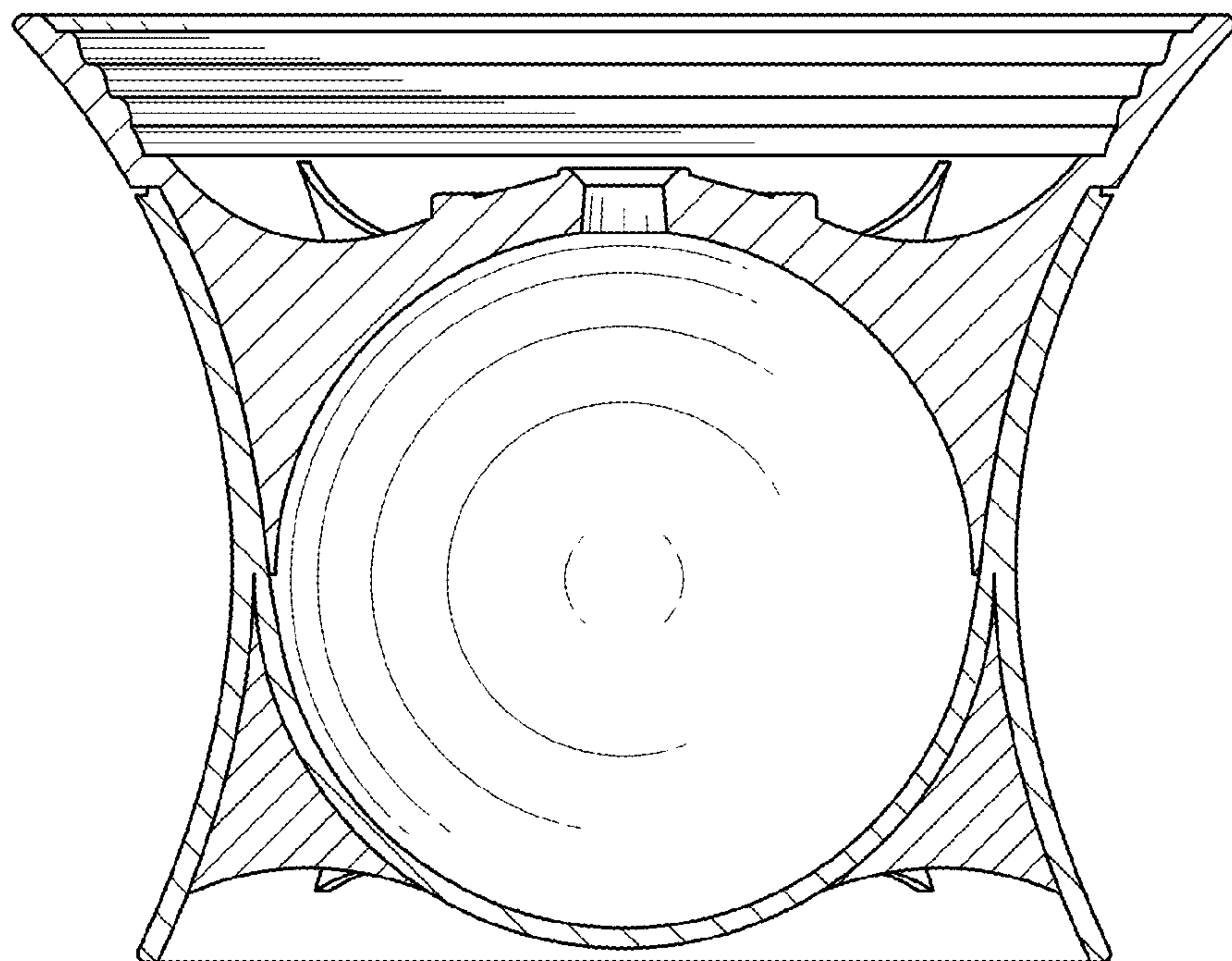


FIG. 7

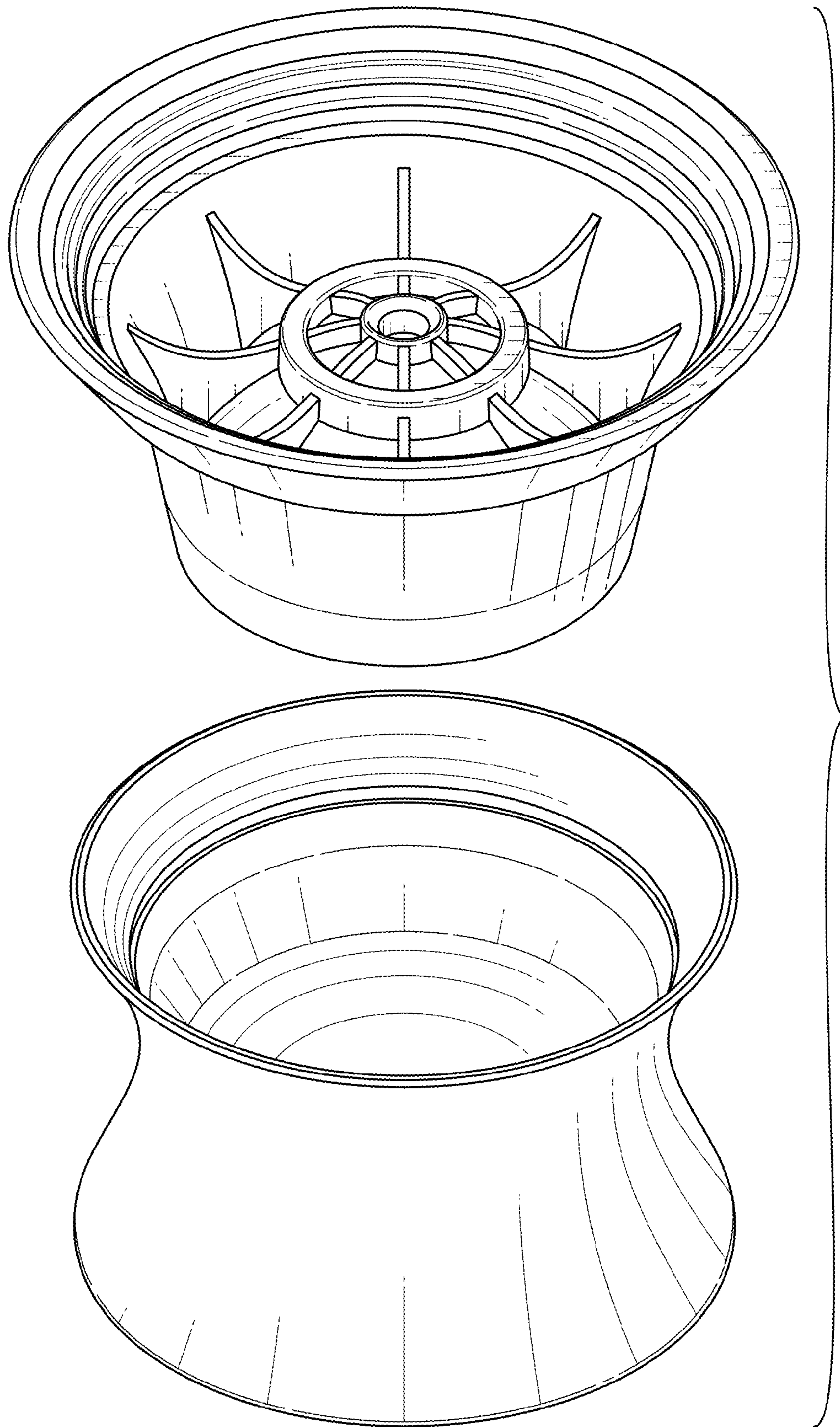


FIG. 8



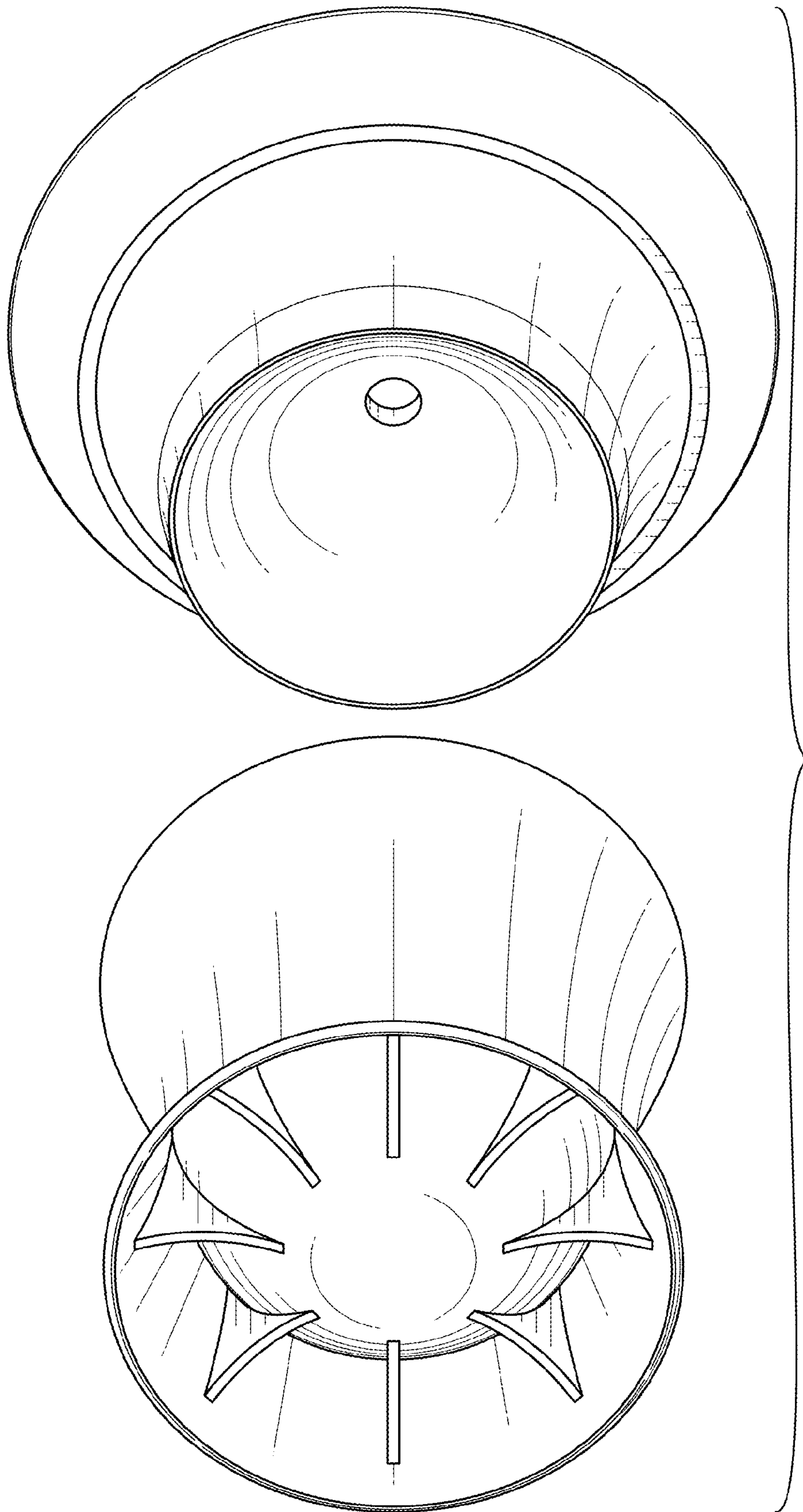


FIG. 9