

US00D877209S

(12) **United States Design Patent** (10) **Patent No.:** **US D877,209 S**
Winkel et al. (45) **Date of Patent:** **** Mar. 3, 2020**

(54) **CAB FOR AGRICULTURAL PRODUCT SPRAYER**

(71) Applicant: **CNH Industrial America LLC**, New Holland, PA (US)

(72) Inventors: **Steven N. Winkel**, Kiel, WI (US); **Nathan P. Brooks**, Manitowoc, WI (US); **Douglas Montgomery**, Downers Grove, IL (US)

(73) Assignee: **CNH Industrial America LLC**, New Holland, PA (US)

(**) Term: **15 Years**

(21) Appl. No.: **29/625,539**

(22) Filed: **Nov. 10, 2017**

(51) **LOC (12) Cl.** **15-03**

(52) **U.S. Cl.**
USPC **D15/30**

(58) **Field of Classification Search**
USPC D15/28, 30, 31, 22-26; D34/37;
180/89.11, 89.12, 89.13, 89.19, 900
CPC .. B66C 13/54; E02F 9/16; E02F 9/163; E02F
9/06; B62D 33/0617; B62D 49/00-085;
B62D 33/06-073; B60J 7/00; B60J 1/004;
B60J 1/02; B60J 1/04; B60J 5/0487
See application file for complete search history.

(56) **References Cited**

U.S. PATENT DOCUMENTS

D288,206 S *	2/1987	Moscovitch	D15/30
D528,134 S *	9/2006	Vandendriessche	D15/30
D531,646 S *	11/2006	McCarren, Jr.	D15/30
D531,647 S *	11/2006	Stender	D15/30
D533,569 S *	12/2006	Mursch	D15/28
D541,825 S *	5/2007	Pettersson	D15/30
D541,826 S *	5/2007	Brush	D15/30
D561,205 S *	2/2008	Pettersson	D15/30

D579,028 S *	10/2008	VanDeVeer	D15/30
D603,881 S *	11/2009	Tamplain, III	D15/30
D605,207 S *	12/2009	Menges	D15/30
D625,741 S *	10/2010	Seidel	D15/30
D632,704 S *	2/2011	Seidel	D12/182
D660,881 S *	5/2012	Bohme	D15/30
D667,851 S *	9/2012	Warr	D15/30
D668,693 S *	10/2012	Ringer	D15/30
D670,745 S *	11/2012	Warr	D15/30
D671,566 S *	11/2012	Fang	D15/30
D720,370 S *	12/2014	Carter	D15/30
D736,270 S *	8/2015	Jackson	D15/30
D749,148 S *	2/2016	Darekar	D15/30
D774,111 S *	12/2016	Underhill	D15/30
D775,244 S *	12/2016	Hart	D15/30
D777,805 S *	1/2017	Steinhardt	D15/30
D780,231 S *	2/2017	Saari	D15/30
D780,232 S *	2/2017	Saari	D15/30
D780,233 S *	2/2017	Saari	D15/30
D780,235 S *	2/2017	Kim	D15/30
D784,425 S *	4/2017	Cooksey	D15/30

* cited by examiner

Primary Examiner — Mark A Goodwin

(74) *Attorney, Agent, or Firm* — Rebecca L. Henkel;
Rickard K. DeMille

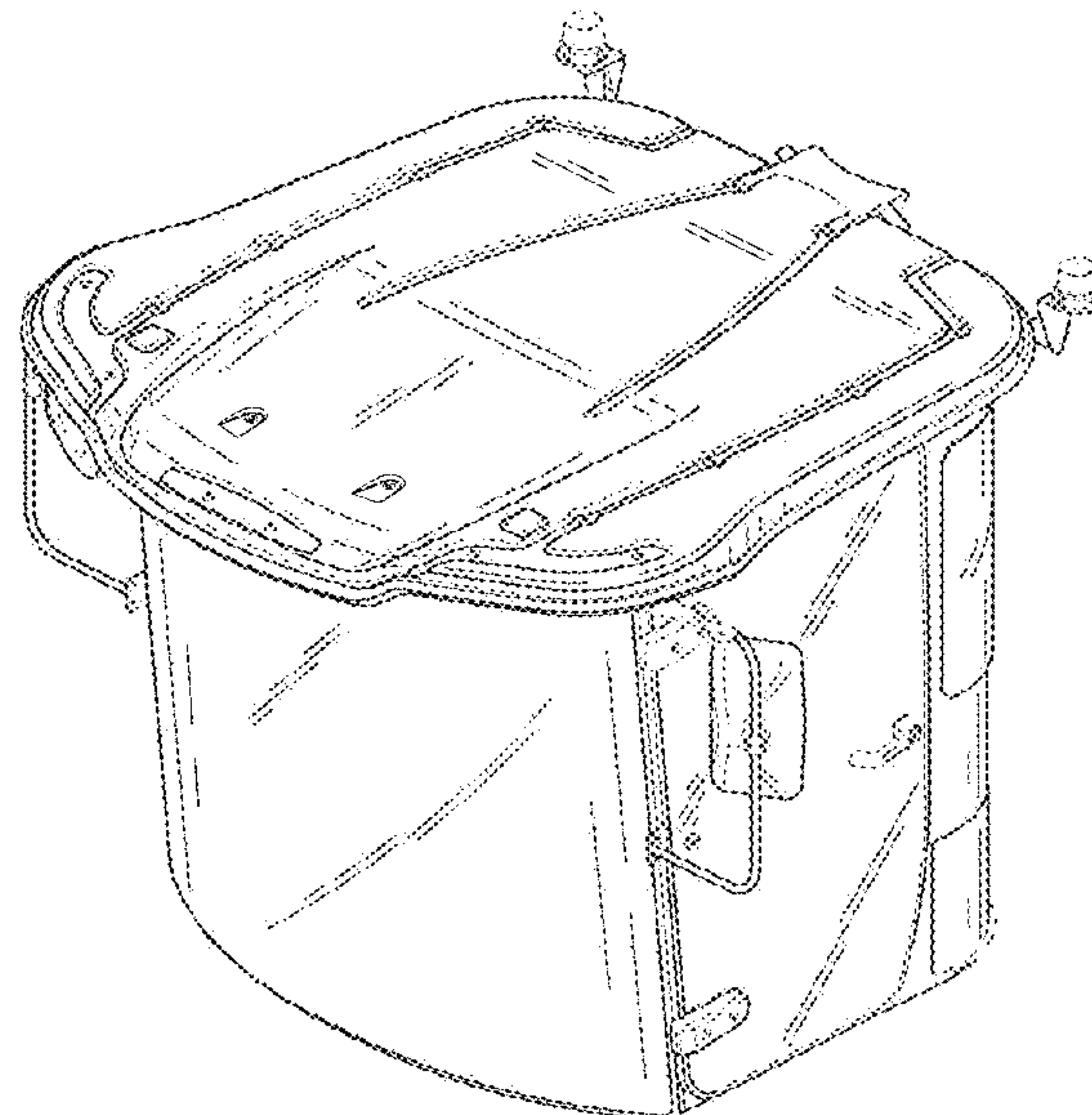
(57) **CLAIM**

The ornamental design for a cab for agricultural product sprayer, as shown and described.

DESCRIPTION

FIG. 1 is an isometric view of a cab for agricultural product sprayer in accordance with the present invention; FIG. 2 is a front elevation view of the cab of FIG. 1; FIG. 3 is a rear elevation view of the cab of FIG. 1; FIG. 4 is a side elevation view of a first side of the cab of FIG. 1; FIG. 5 is a side elevation view of a second side of the cab of FIG. 1; and, FIG. 6 is a top plan view of the cab of FIG. 1.

1 Claim, 6 Drawing Sheets



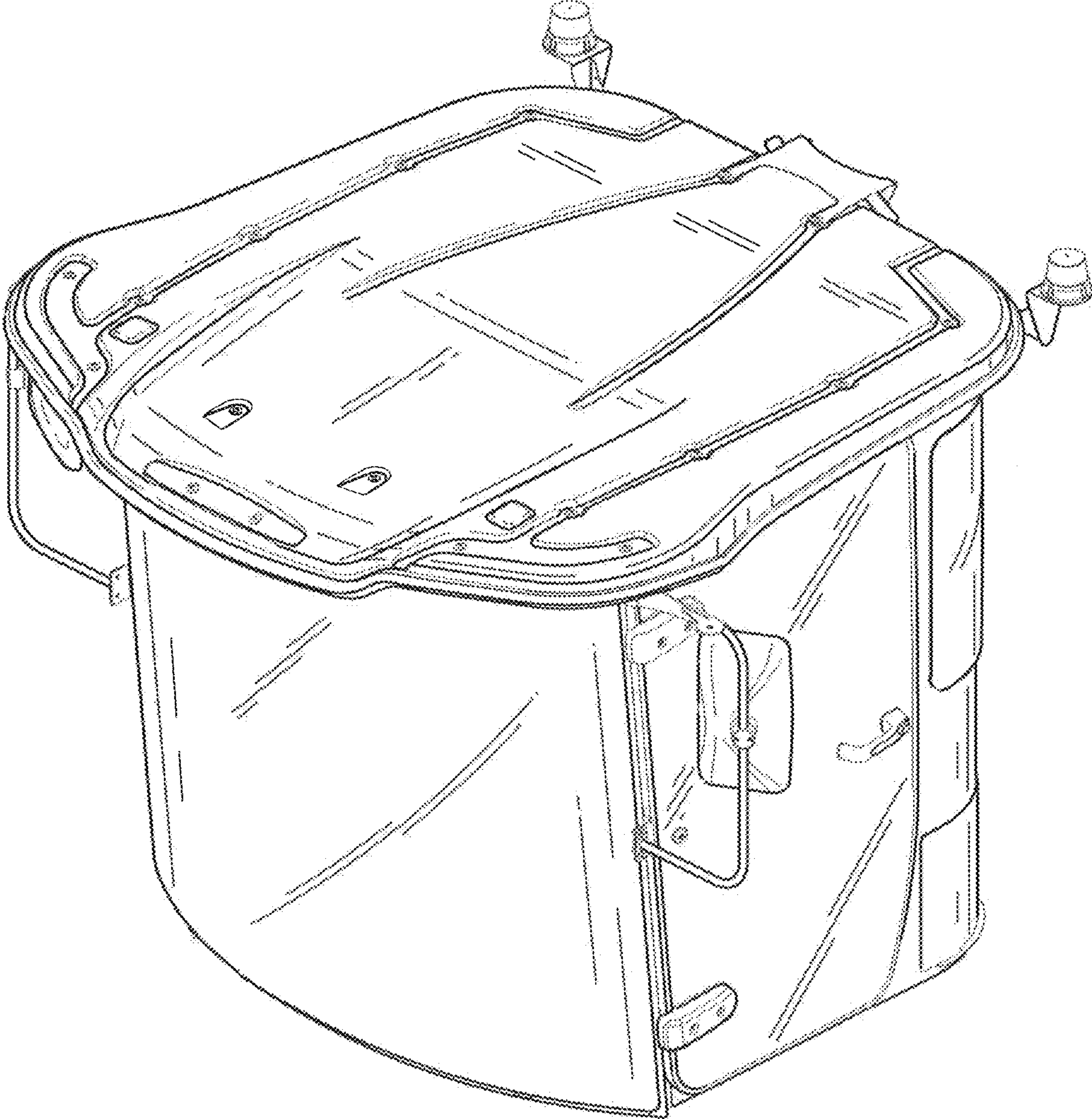


FIG. 1

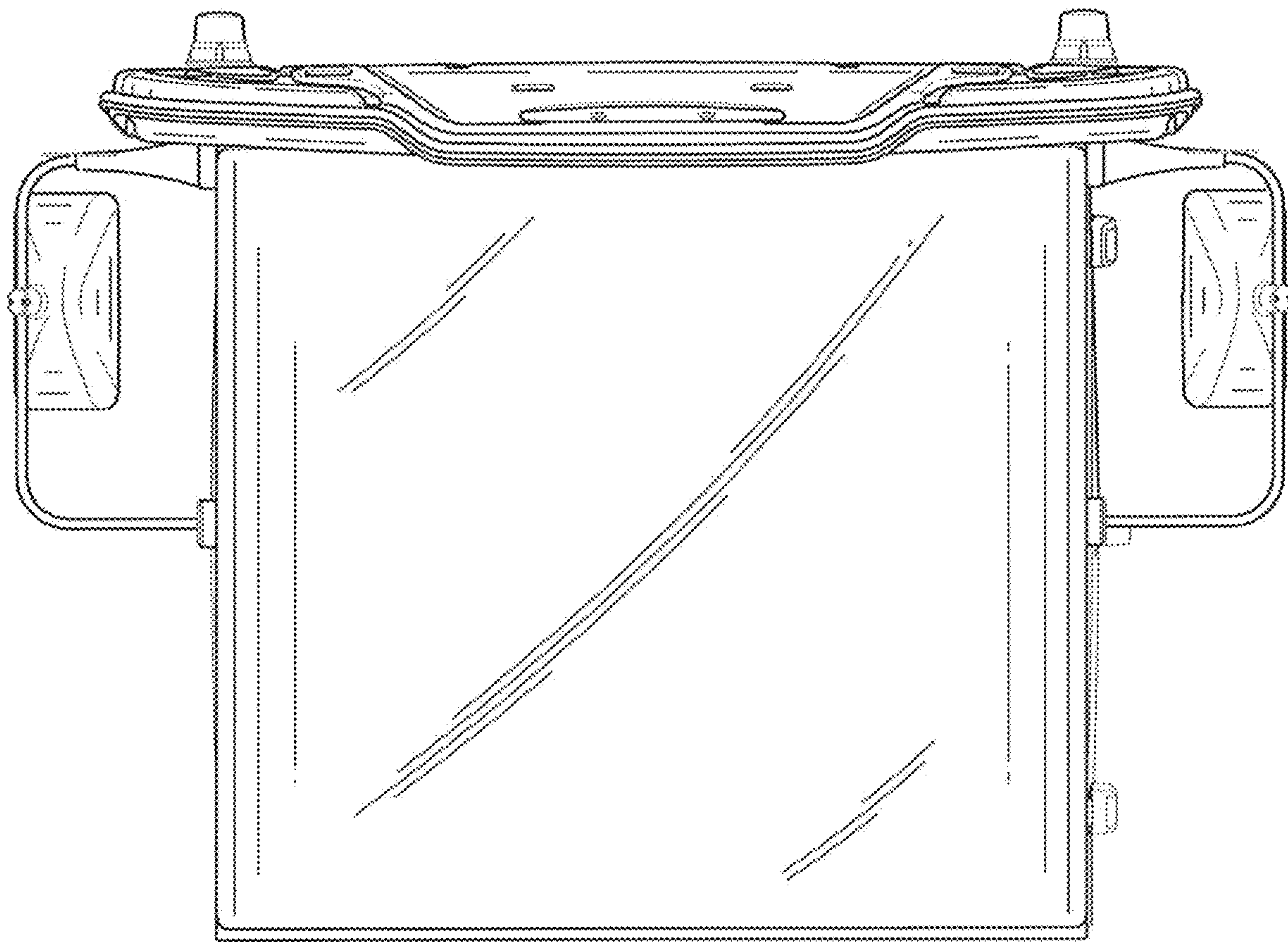


FIG. 2

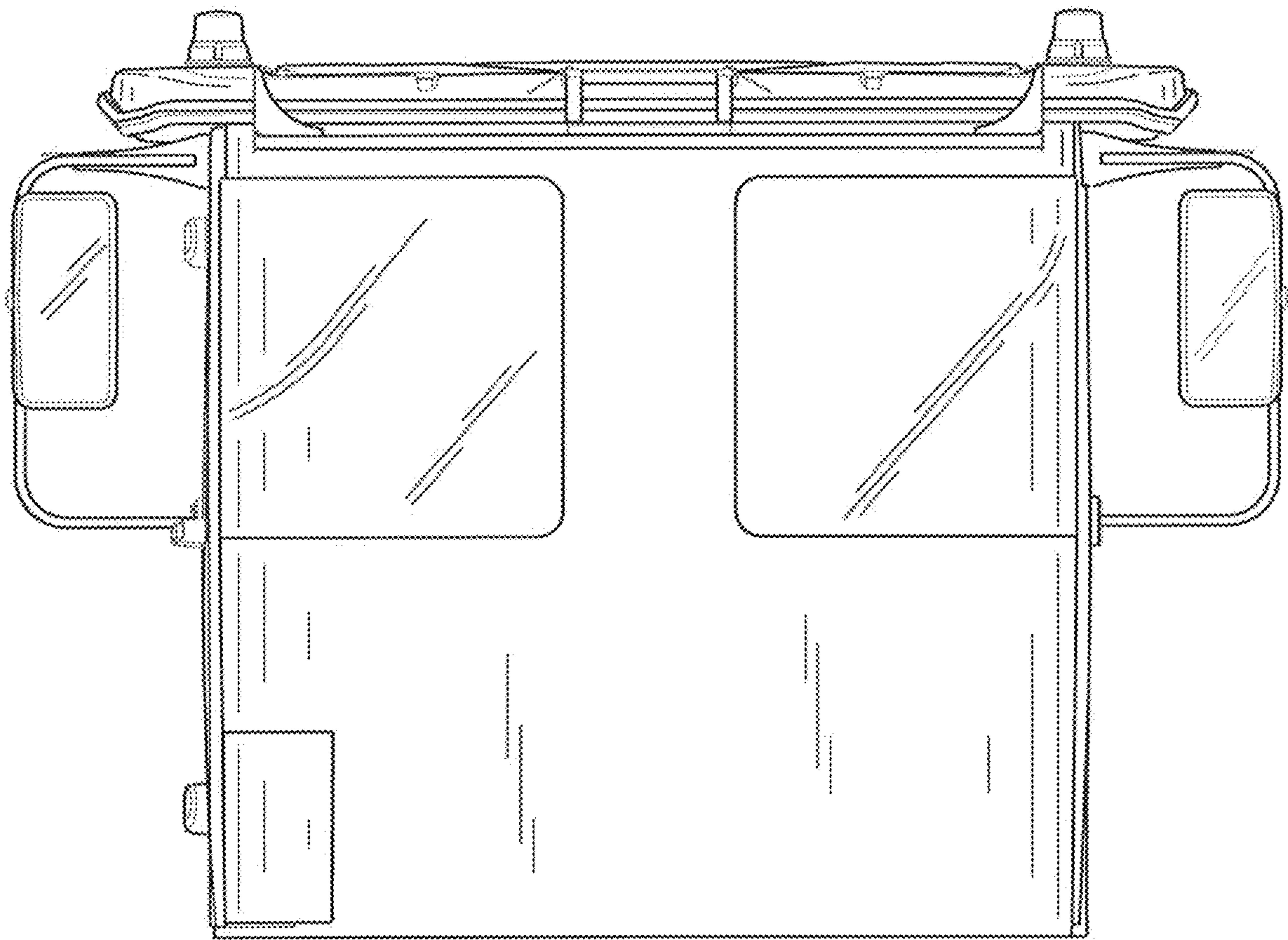


FIG. 3

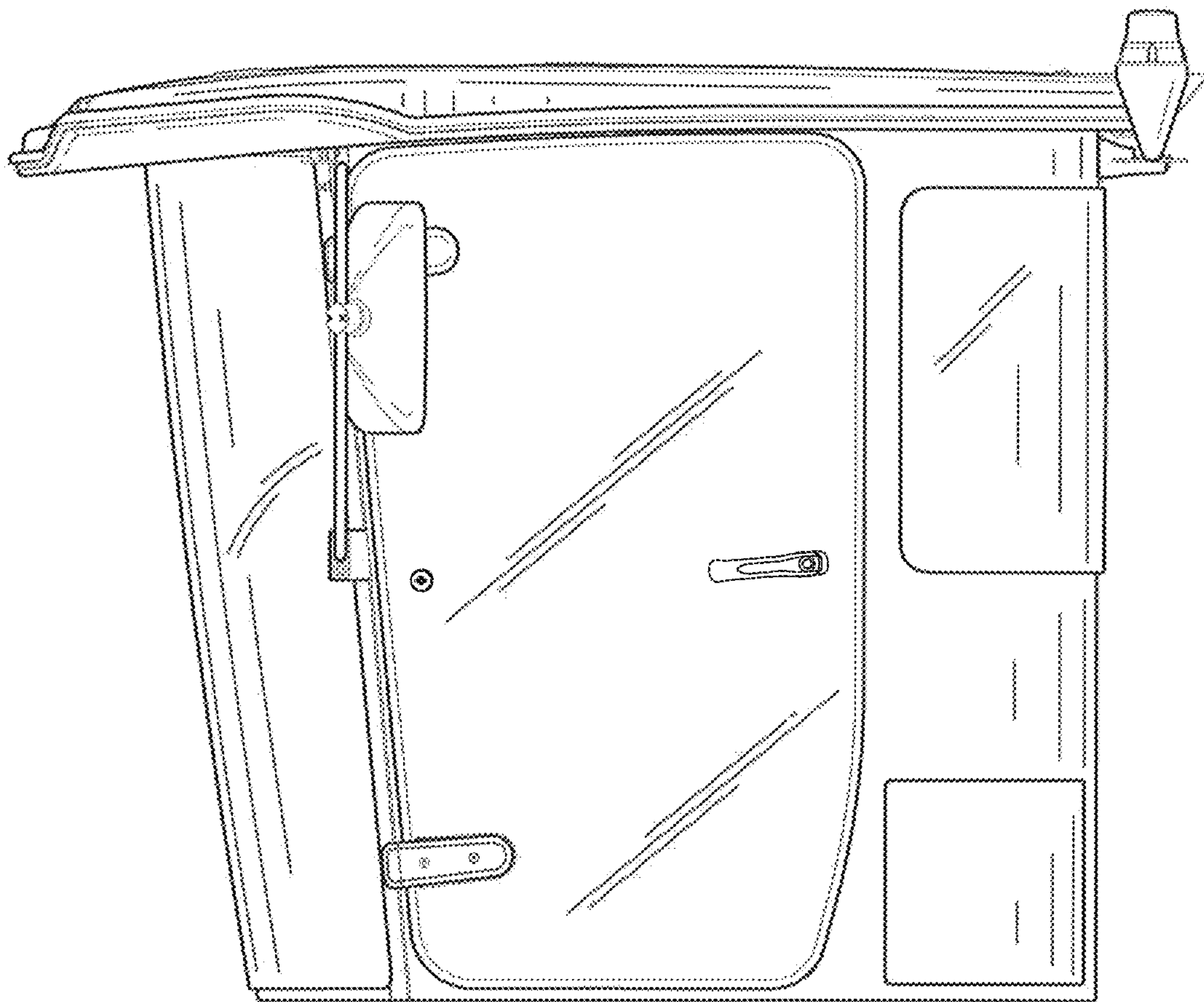


FIG. 4

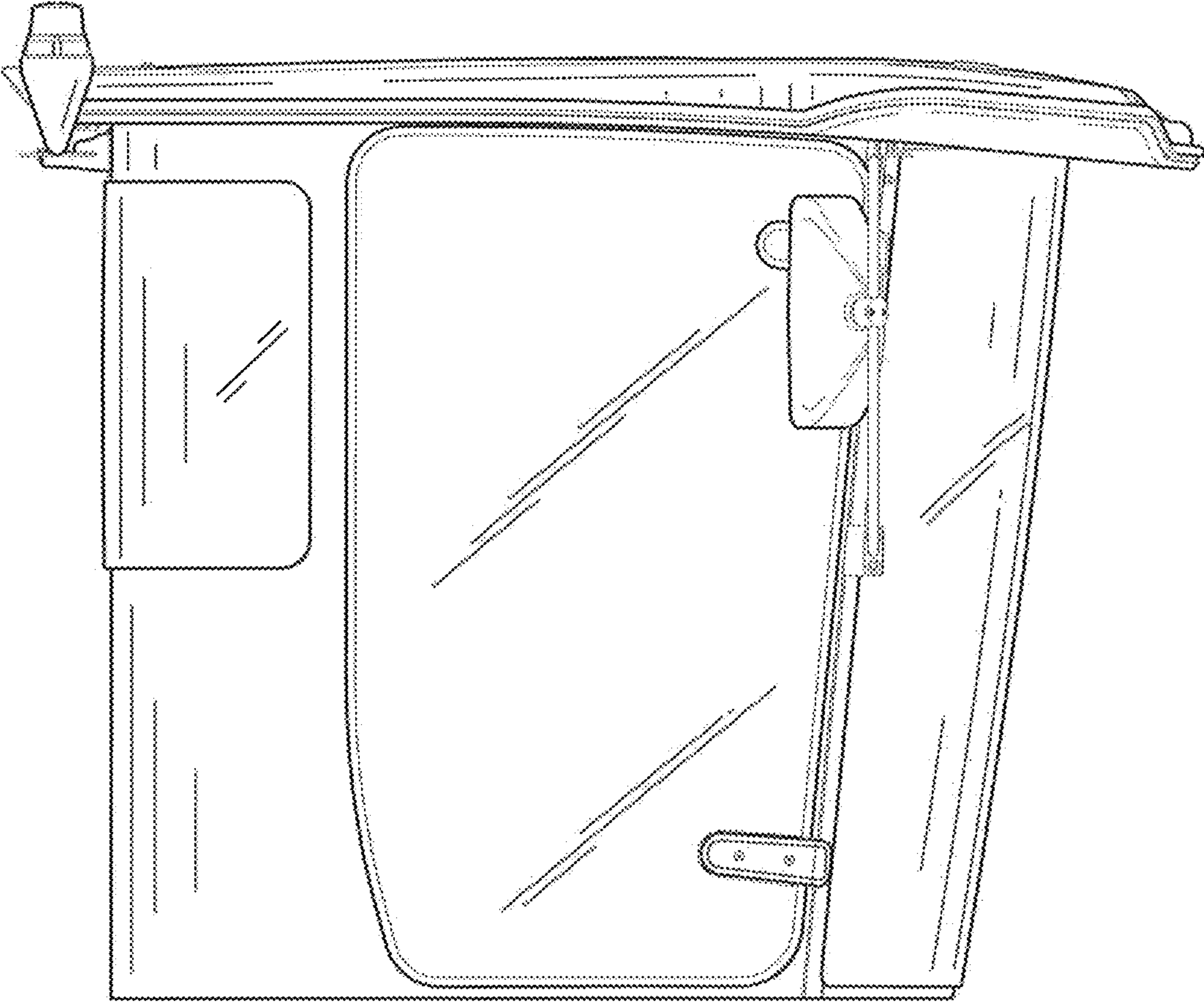


FIG. 5

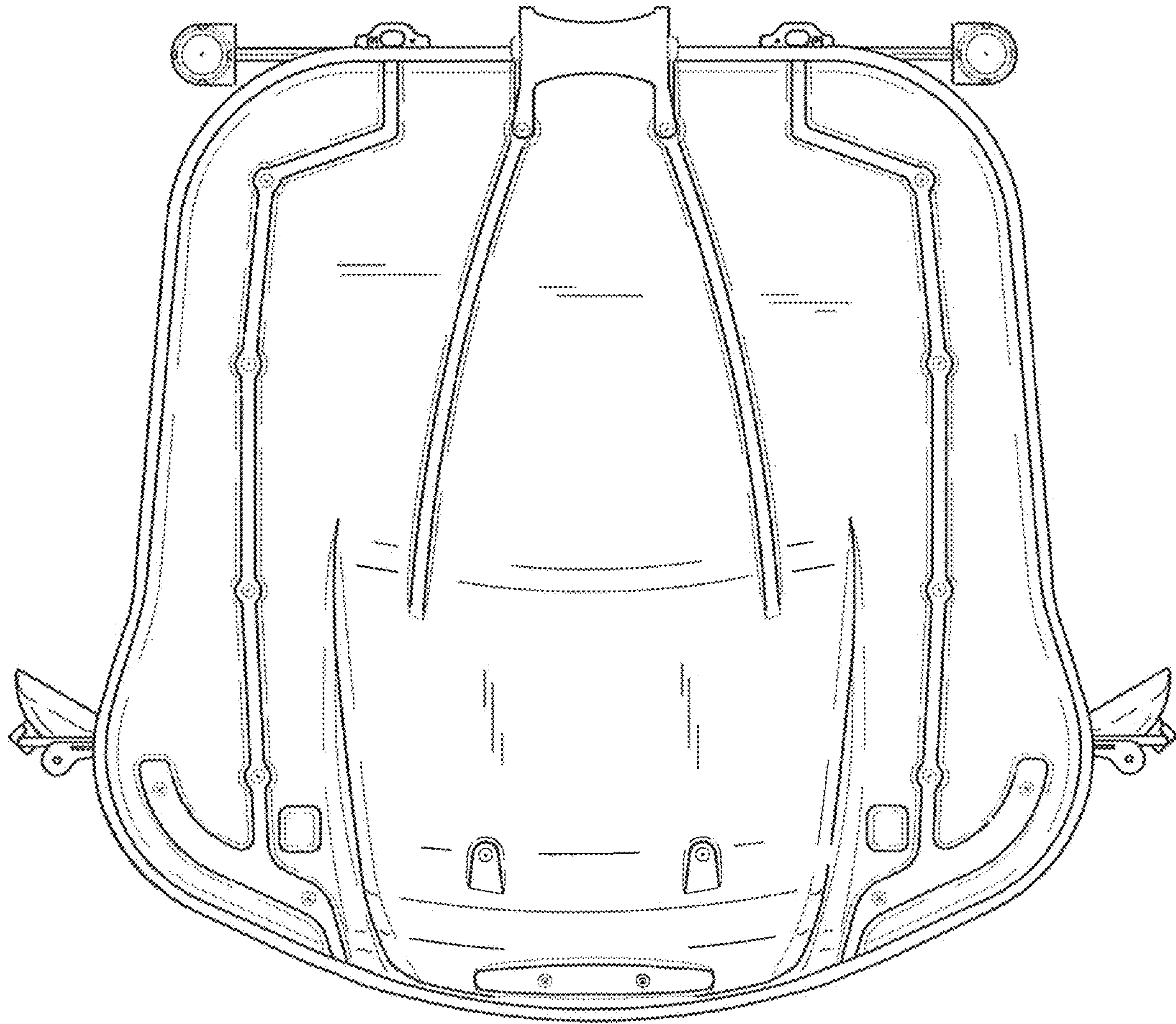


FIG. 6