



US00D877207S

(12) **United States Design Patent**
Anderson et al.

(10) **Patent No.:** **US D877,207 S**
(45) **Date of Patent:** **** Mar. 3, 2020**

- (54) **SEED CONDUIT**
- (71) Applicant: **CNH Industrial America LLC**, New Holland, PA (US)
- (72) Inventors: **Brian Anderson**, Yorkville, IL (US); **Chad Johnson**, Arlington Heights, IL (US); **Johnathon Dienst**, Dekalb, IL (US); **Kregg Raducha**, Chicago, IL (US); **Austin McLuckie**, Coal City, IL (US)
- (73) Assignee: **CNH Industrial America LLC**, New Holland, PA (US)
- (**) Term: **15 Years**
- (21) Appl. No.: **29/666,702**
- (22) Filed: **Oct. 15, 2018**
- (51) **LOC (12) Cl.** **15-03**
- (52) **U.S. Cl.**
USPC **D15/28; D15/11**
- (58) **Field of Classification Search**
USPC D15/11, 17, 21, 27, 28, 10, 12; 111/74, 111/167, 89, 156, 150, 200, 170, 149; 172/753, 772
CPC A01C 7/206; A01C 7/105; A01C 7/08; A01C 7/042; A01C 7/082; A01B 49/06
See application file for complete search history.

(56) **References Cited**

U.S. PATENT DOCUMENTS

- 5,775,076 A * 7/1998 Mossman A01D 45/021 56/119
- 5,931,105 A * 8/1999 Luxon A01C 7/105 111/170
- 5,983,813 A * 11/1999 Swab A01C 5/062 111/133
- D435,566 S * 12/2000 Anderson D15/28
- D437,328 S * 2/2001 Anderson D15/28

- D647,542 S * 10/2011 Zwettler D15/28
- D693,854 S * 11/2013 Schrapp D15/28
- 8,618,465 B2 * 12/2013 Tevs A01C 7/105 111/200
- D706,310 S * 6/2014 Nibbe D15/11
- D712,437 S * 9/2014 Wilhelmi A01C 19/02 D15/28
- D744,009 S * 11/2015 Zumdom D15/28
- 9,575,210 B2 * 2/2017 Liebich A01C 21/00
- 2002/0043197 A1 * 4/2002 Schaffert A01C 5/062 111/120
- 2004/0255834 A1 * 12/2004 Schaffert A01C 5/062 111/200
- 2005/0172871 A1 * 8/2005 Linnebur A01C 5/062 111/156
- 2005/0204970 A1 * 9/2005 Summach A01B 15/02 111/156
- 2008/0011209 A1 * 1/2008 Peterson A01C 7/082 111/170
- 2014/0182495 A1 * 7/2014 Wendte A01C 7/042 111/174

(Continued)

Primary Examiner — Mark A Goodwin

(74) *Attorney, Agent, or Firm* — Rebecca L. Henkel; Rickard K. DeMille

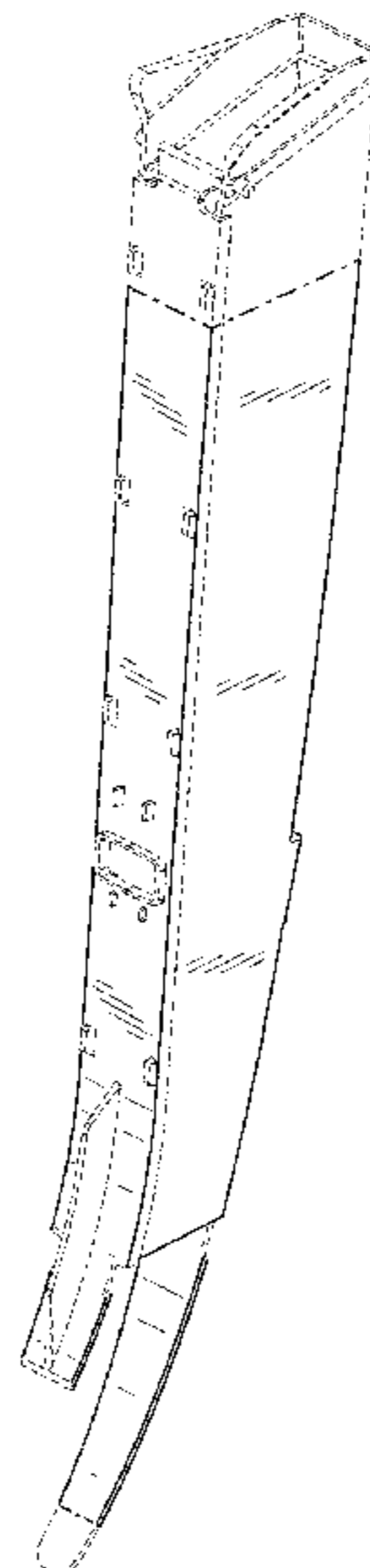
(57) **CLAIM**

The ornamental design for a seed conduit, substantially as shown and described.

DESCRIPTION

FIG. 1 is a perspective view of a seed conduit; FIG. 2 is a front view of the seed conduit; FIG. 3 is a back view of the seed conduit; FIG. 4 is a right side view of the seed conduit; FIG. 5 is a left side view of the seed conduit; FIG. 6 is a top view of the seed conduit; and, FIG. 7 is a bottom view of the seed conduit; Phantom lines, where utilized, are for illustrative purposes only and form no part of the claimed design.

1 Claim, 4 Drawing Sheets



(56)

References Cited

U.S. PATENT DOCUMENTS

2014/0261115 A1* 9/2014 Kowalchuk A01C 7/046
111/120
2014/0261118 A1* 9/2014 Mayerle A01C 7/102
111/184
2015/0223392 A1* 8/2015 Wilhelmi A01C 7/20
111/171
2015/0293257 A1* 10/2015 Liebich A01C 21/00
701/50
2016/0037713 A1* 2/2016 Wendte A01C 21/005
111/177
2016/0143212 A1* 5/2016 Wendte A01C 21/005
111/183
2019/0116721 A1* 4/2019 Donadon A01C 7/046
2019/0116722 A1* 4/2019 Donadon A01C 7/206
2019/0239425 A1* 8/2019 Garner A01C 7/20
2019/0239426 A1* 8/2019 Garner A01C 7/046

* cited by examiner

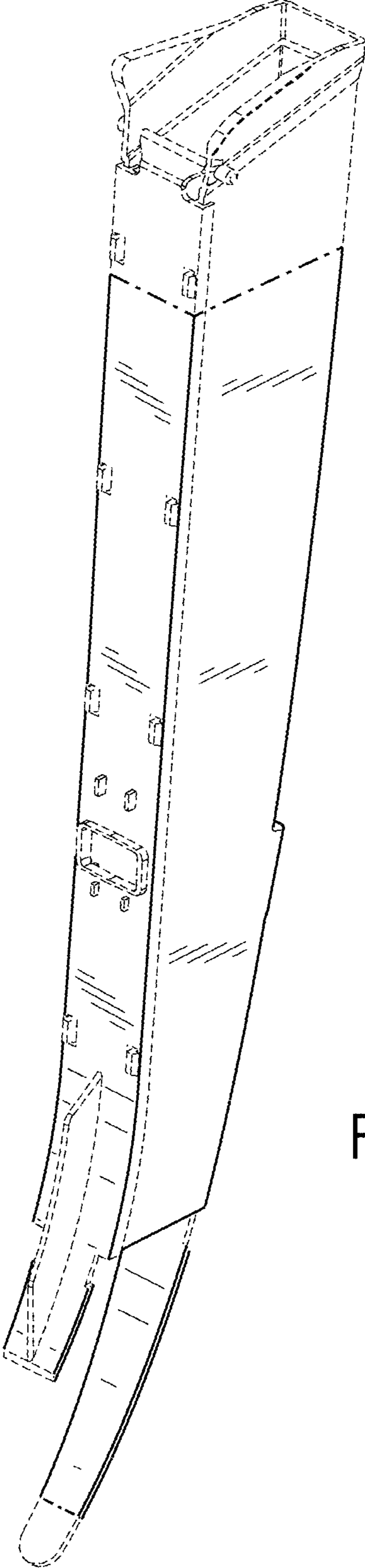


FIG. 1

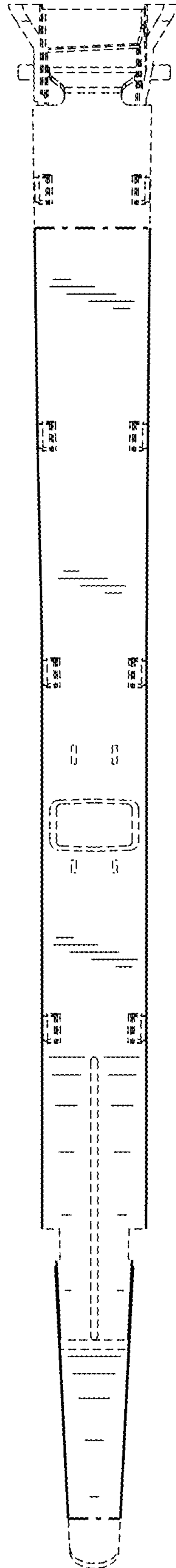


FIG. 2

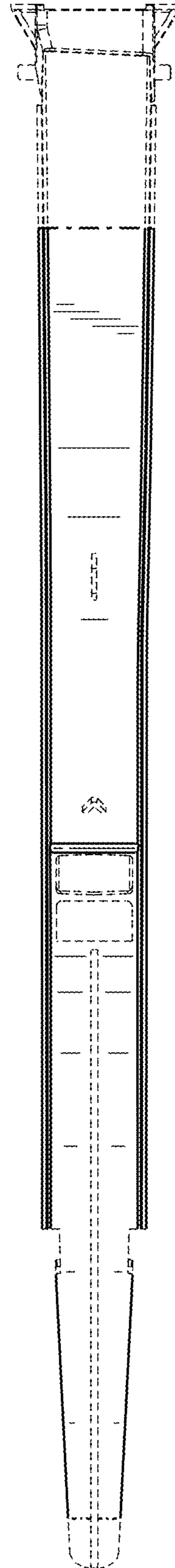


FIG. 3

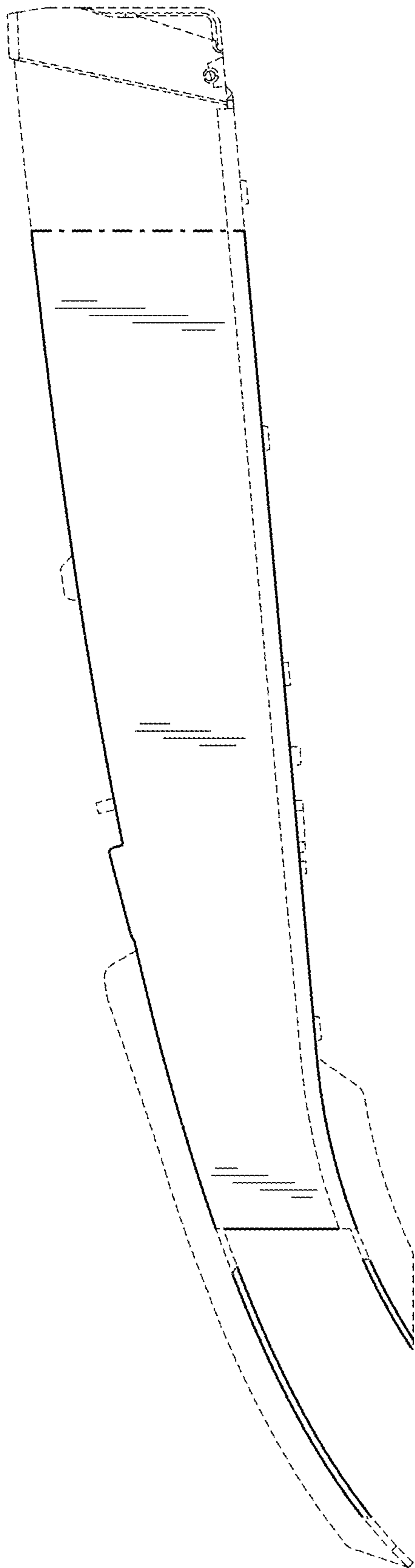


FIG. 4

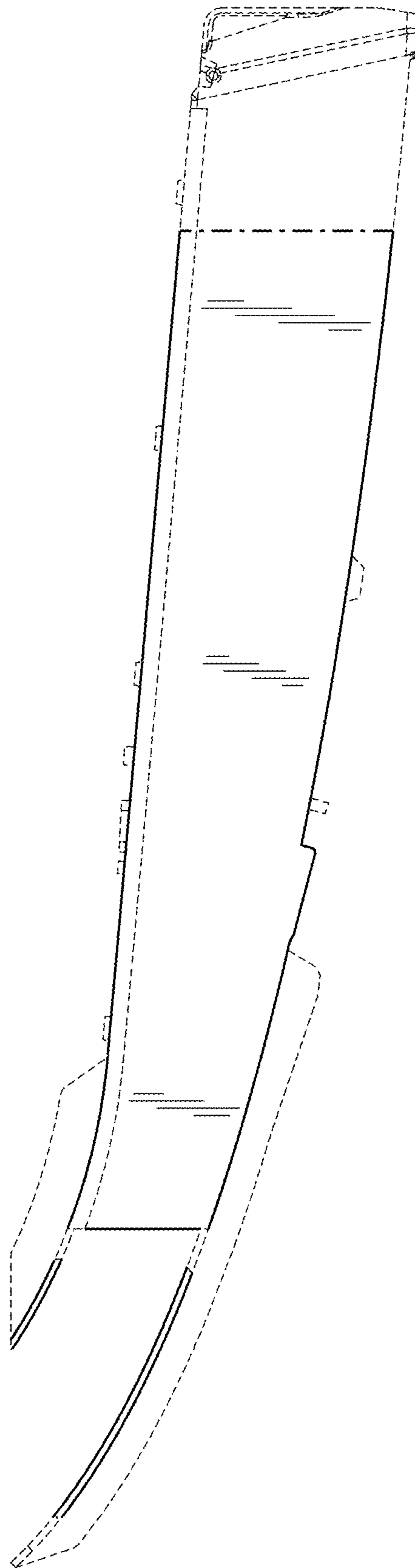


FIG. 5

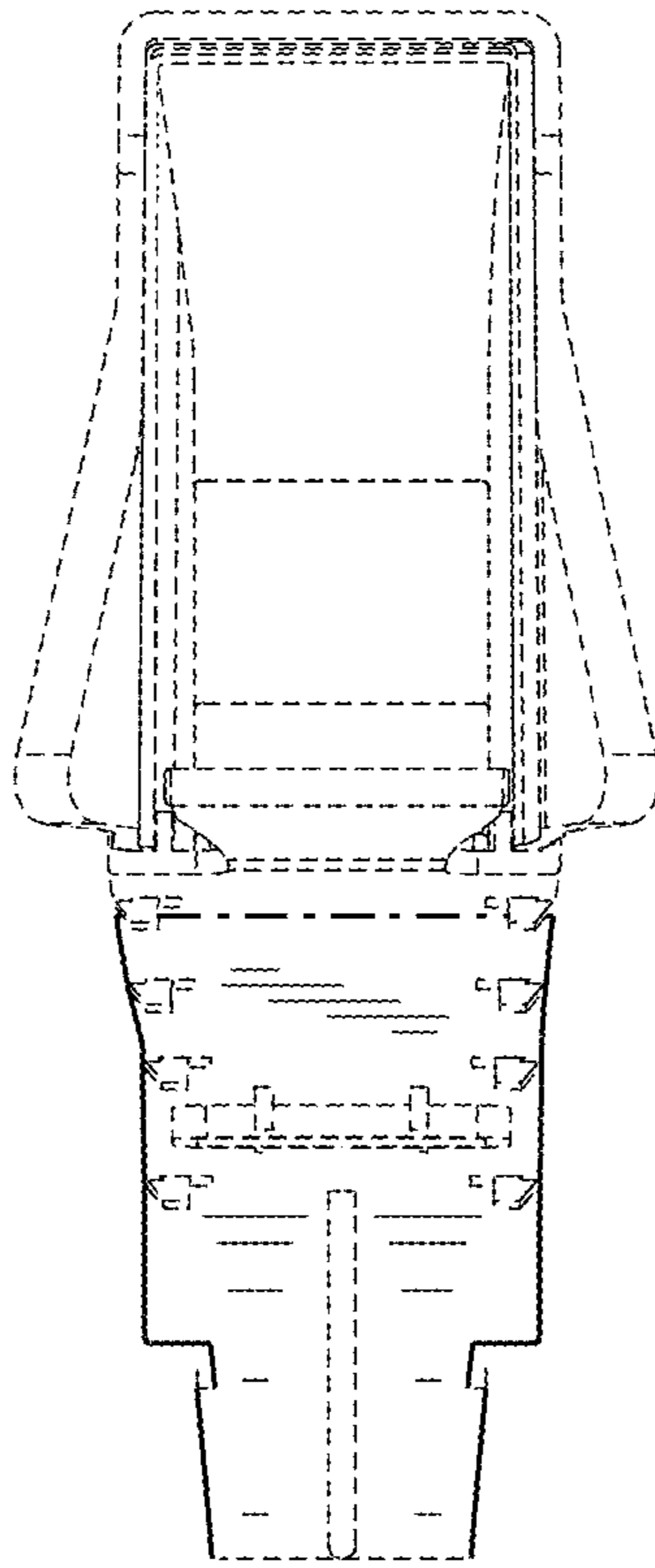


FIG. 6

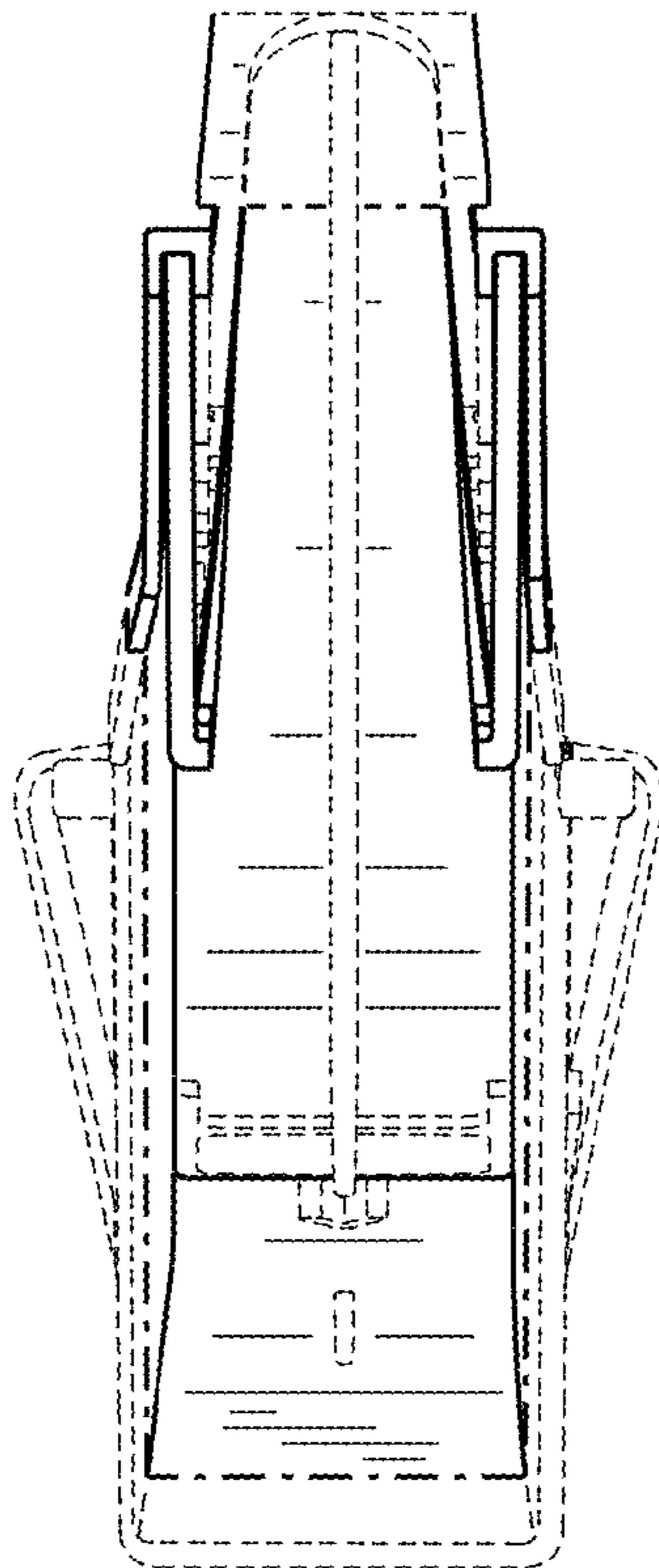


FIG. 7