



US00D877206S

(12) **United States Design Patent**  
**Jackson et al.**

(10) **Patent No.:** **US D877,206 S**  
(45) **Date of Patent:** **\*\* Mar. 3, 2020**

(54) **INTAKE OF AN INTAKE AND EXHAUST ASSEMBLY OF AN AGRICULTURAL WORK VEHICLE**

D698,831 S \* 2/2014 Adamson ..... D15/28  
D700,631 S \* 3/2014 Novacek ..... D15/17  
D722,330 S \* 2/2015 Boeshans ..... D15/17

(71) Applicant: **CNH Industrial America LLC**, New Holland, PA (US)  
(72) Inventors: **Dwayne St. George Jackson**, Plainfield, IL (US); **Frank Zsigmond Asztalos**, Orchard Lake, MI (US); **David Melvin Wilkie**, Turin (IT); **Eric Michael Jacobsthal**, Elmhurst, IL (US)  
(73) Assignee: **CNH Industrial America LLC**, New Holland, PA (US)

**OTHER PUBLICATIONS**

U.S. Appl. No. 29/567,579, filed Jun. 10, 2016, Dwayne St. George Jackson.  
U.S. Appl. No. 29/567,581, filed Jun. 10, 2016, Dwayne St. George Jackson.  
U.S. Appl. No. 29/567,582, filed Jun. 10, 2016, Dwayne St. George Jackson.  
U.S. Appl. No. 29/567,593, filed Jun. 10, 2016, Dwayne St. George Jackson.  
U.S. Appl. No. 29/567,603, filed Jun. 10, 2016, Dwayne St. George Jackson.

(Continued)

(\*\*) Term: **15 Years**

*Primary Examiner* — Mark A Goodwin

(21) Appl. No.: **29/567,607**

(74) *Attorney, Agent, or Firm* — Rickard K. DeMille; Rebecca L. Henkel

(22) Filed: **Jun. 10, 2016**

(51) **LOC (12) Cl.** ..... **15-03**

(52) **U.S. Cl.**  
USPC ..... **D15/28**

(57) **CLAIM**

The ornamental design for an intake of an intake and exhaust assembly of an agricultural work vehicle, substantially as shown and described.

(58) **Field of Classification Search**  
USPC ..... D15/10, 22-26, 28, 31, 33; 37/455, 442, 37/443, 403, 409; 180/89.1, 89.12, 298, 180/900, 68.5; 414/685, 694, 722, 724  
CPC ..... E02F 9/0891; E02F 9/08; B62D 25/10; B60K 11/08; B60K 11/00; F01P 2001/005; F01P 11/10; F01P 1/00  
See application file for complete search history.

**DESCRIPTION**

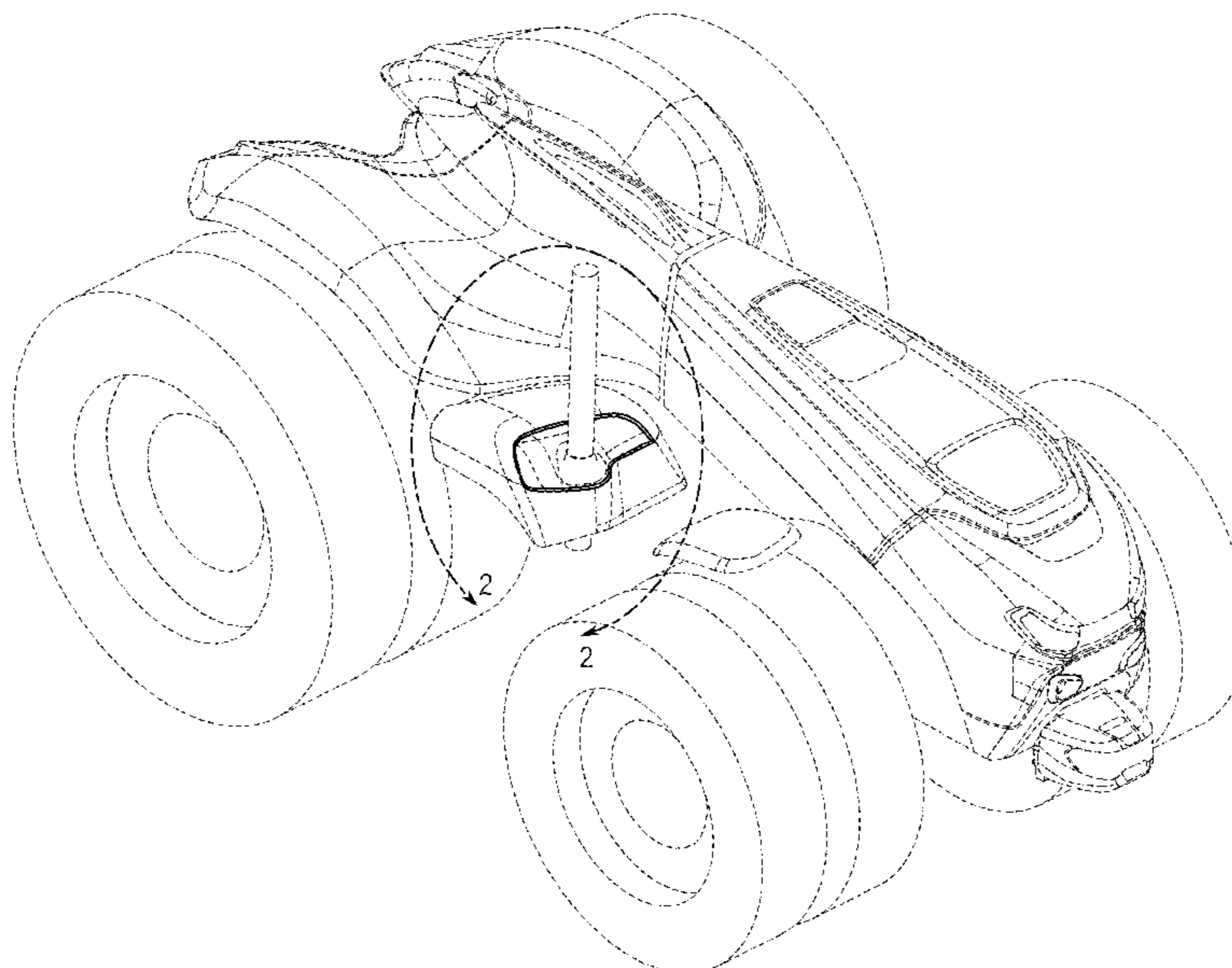
FIG. 1 is a perspective view of an intake of an intake and exhaust assembly of an agricultural work vehicle;  
FIG. 2 is a perspective view of the intake of the intake and exhaust assembly, taken within line 2-2 of FIG. 1;  
FIG. 3 is a top view of the intake of the intake and exhaust assembly;  
FIG. 4 is a right side view of the intake of the intake and exhaust assembly; and,  
FIG. 5 is a front view of the intake of the intake and exhaust assembly.  
Phantom lines, where utilized, are for illustrative purposes only and form no part of the claimed design.

(56) **References Cited**

**U.S. PATENT DOCUMENTS**

D668,691 S \* 10/2012 Ewringmann ..... D15/28  
D670,743 S \* 11/2012 Ewringmann ..... D12/194  
D684,596 S \* 6/2013 Dwyer ..... D15/17  
D687,075 S \* 7/2013 Richard ..... D15/28  
D693,376 S \* 11/2013 Chlystek ..... D15/28

**1 Claim, 3 Drawing Sheets**



(56)

**References Cited**

OTHER PUBLICATIONS

U.S. Appl. No. 29/567,605, filed Jun. 10, 2016, Dwayne St. George Jackson.

U.S. Appl. No. 29/567,615, filed Jun. 10, 2016, Dwayne St. George Jackson.

U.S. Appl. No. 29/567,621, filed Jun. 10, 2016, Dwayne St. George Jackson.

U.S. Appl. No. 29/567,622, filed Jun. 10, 2016, Dwayne St. George Jackson.

U.S. Appl. No. 29/567,653, filed Jun. 10, 2016, Frank Zsigmond Asztalos.

\* cited by examiner

FIG. 1

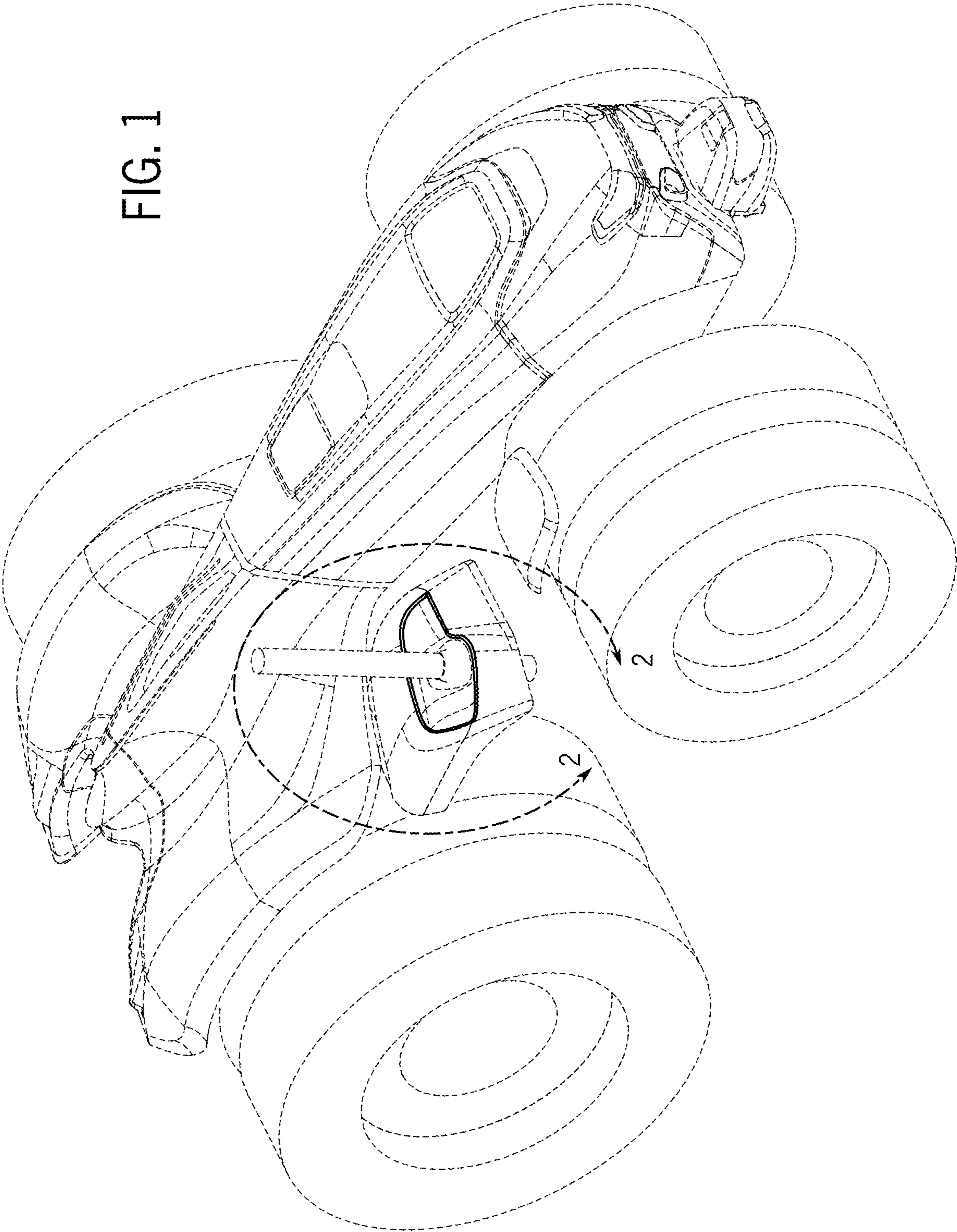


FIG. 3

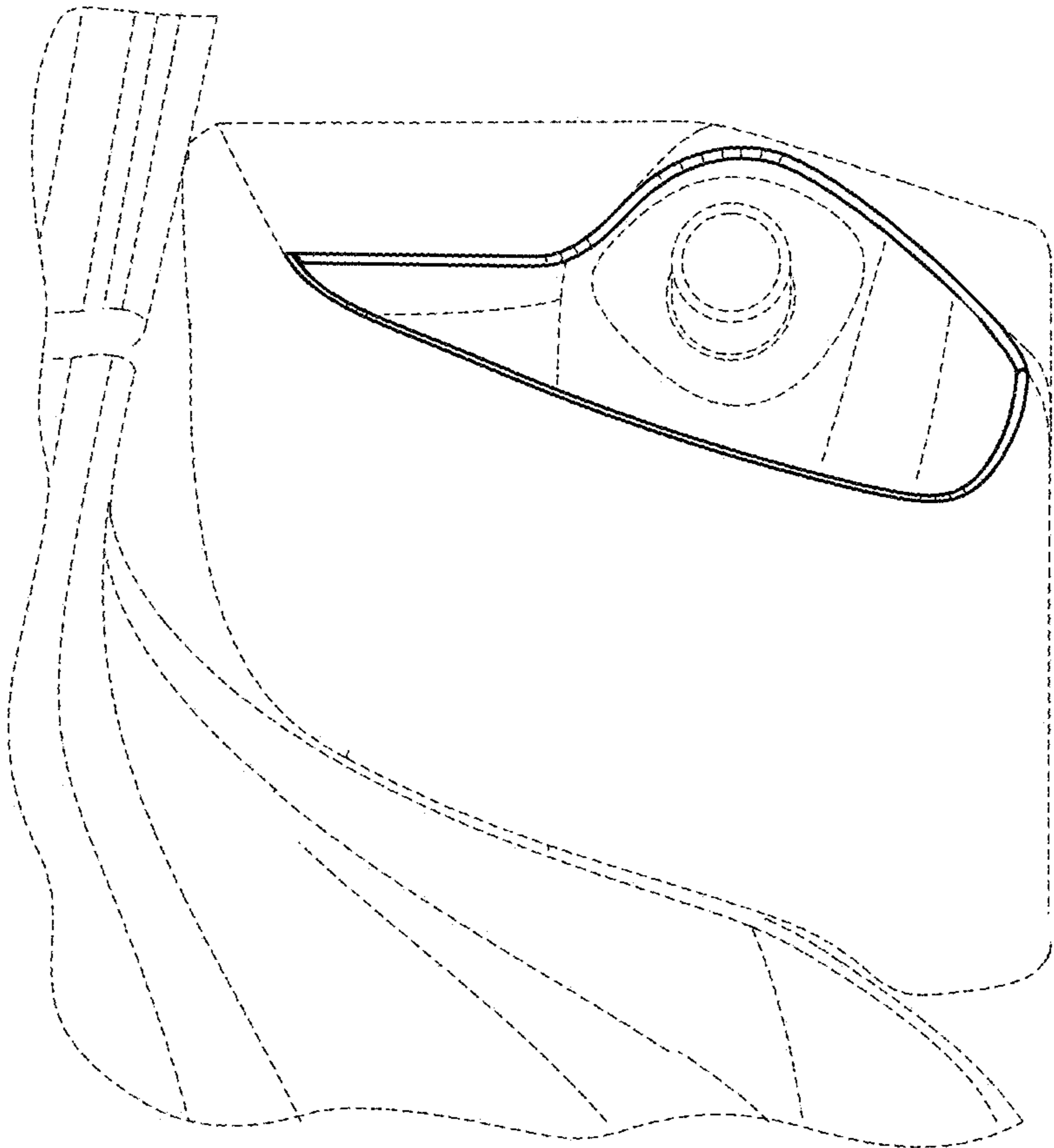
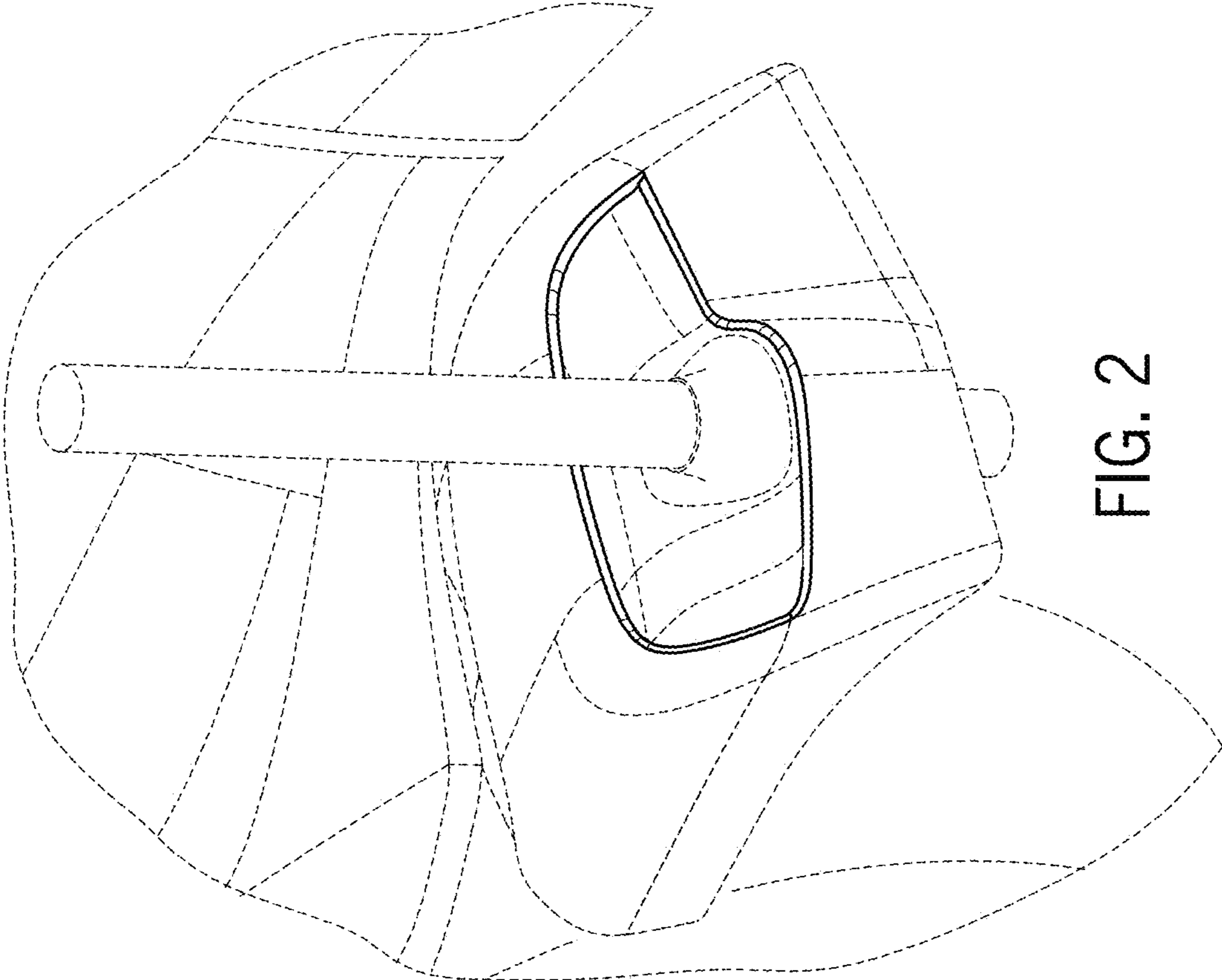


FIG. 2



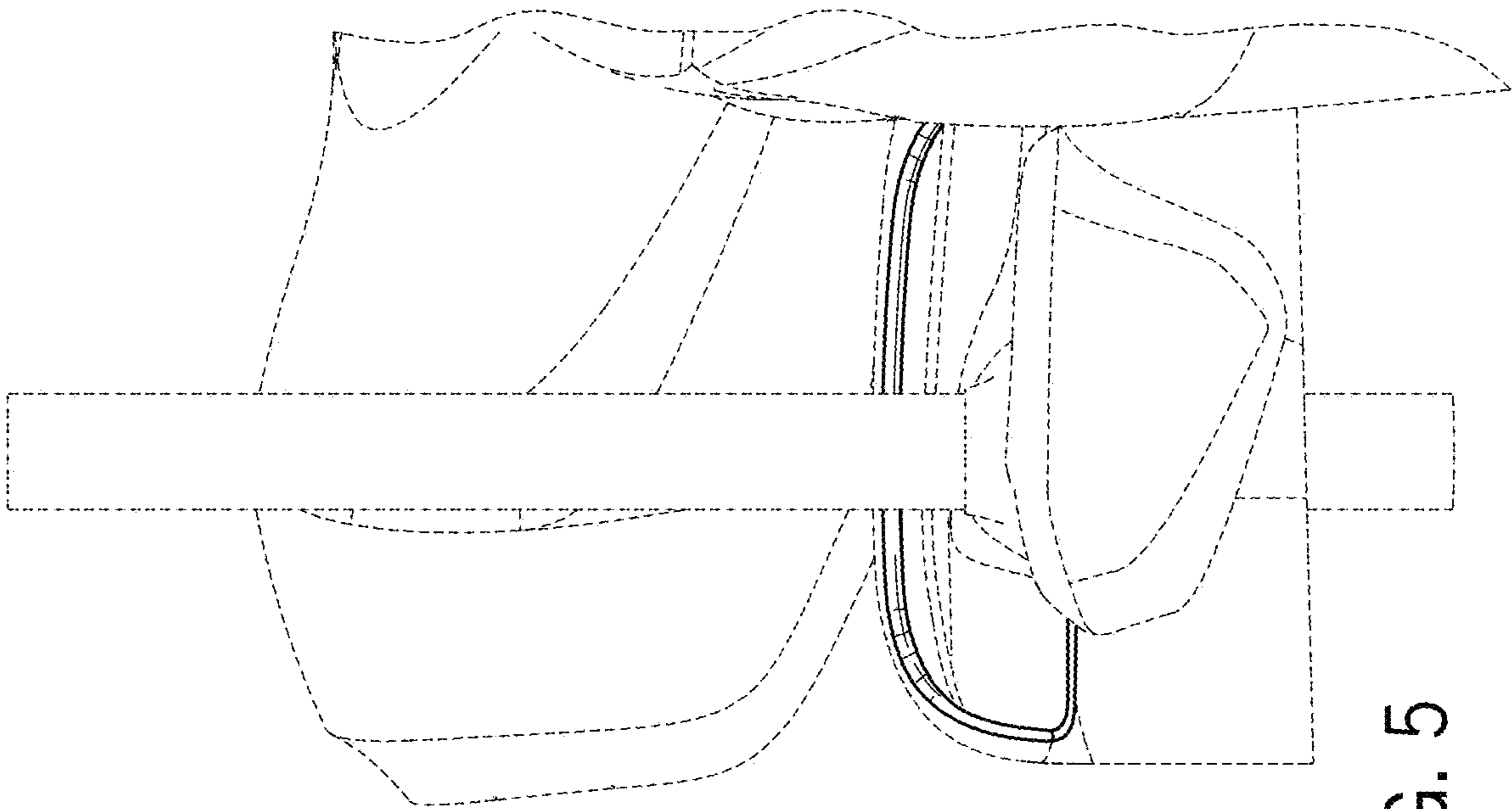


FIG. 5

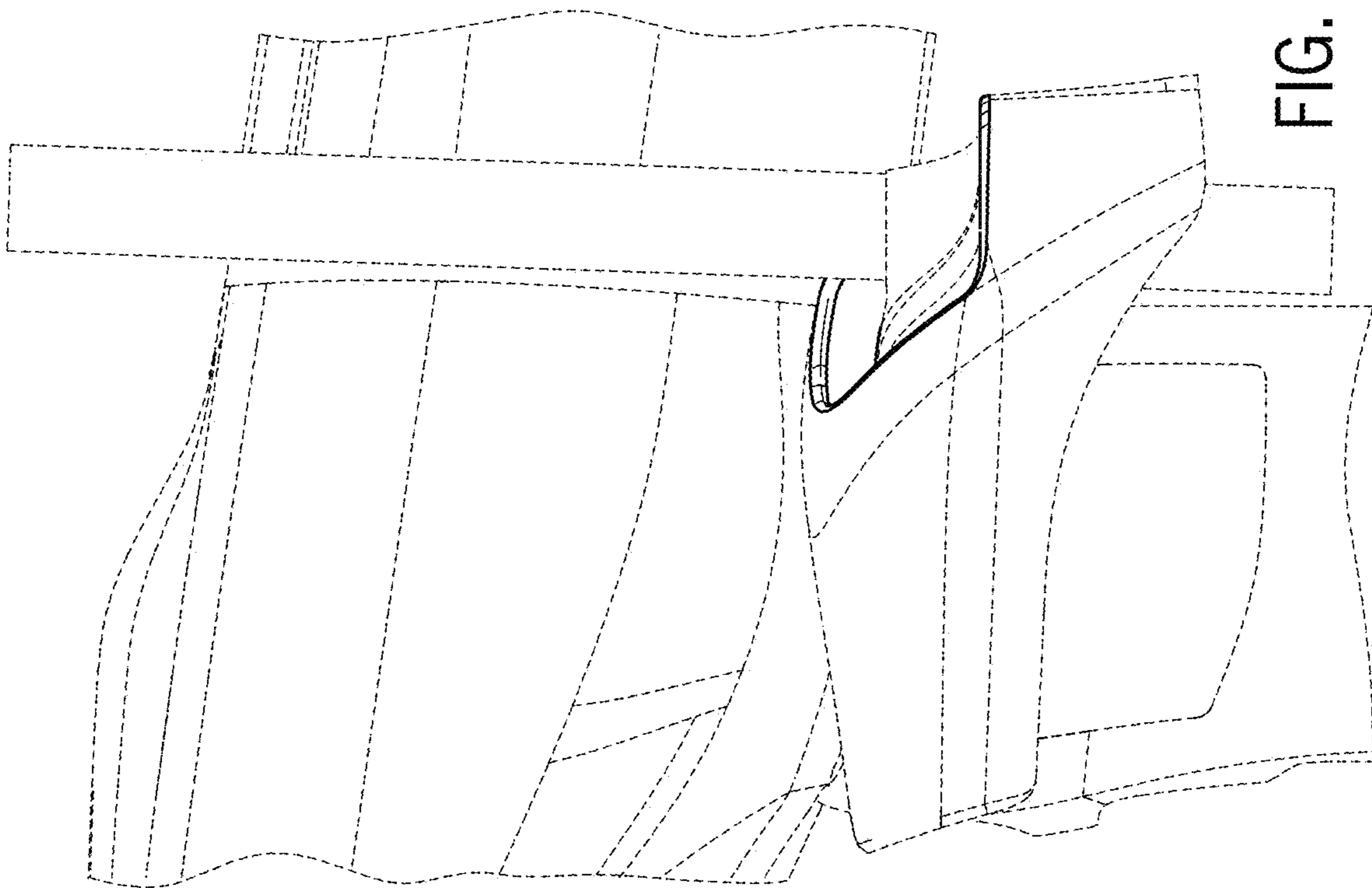


FIG. 4