



US00D877205S

(12) **United States Design Patent** (10) **Patent No.:** **US D877,205 S**
Jackson et al. (45) **Date of Patent:** **** Mar. 3, 2020**

(54) **CONTROL ASSEMBLY OF AN AGRICULTURAL WORK VEHICLE**

(71) Applicant: **CNH Industrial America LLC**, New Holland, PA (US)

(72) Inventors: **Dwayne St. George Jackson**, Plainfield, IL (US); **Frank Zsigmond Asztalos**, Orchard Lake, MI (US)

(73) Assignee: **CNH Industrial America LLC**, New Holland, PA (US)

(**) Term: **15 Years**

(21) Appl. No.: **29/567,605**

(22) Filed: **Jun. 10, 2016**

(51) **LOC (12) Cl.** **15-03**

(52) **U.S. Cl.**
USPC **D15/28**

(58) **Field of Classification Search**
USPC D15/10, 22-26, 28, 31, 33; 37/455, 442, 37/443, 403, 409; 180/89.1, 89.12, 298, 180/900, 68.5; 414/685, 694, 722, 724
CPC E02F 9/0891; E02F 9/08; B62D 25/10; B60K 11/08; B60K 11/00; F01P 2001/005; F01P 11/10; F01P 1/00
See application file for complete search history.

(56) **References Cited**

U.S. PATENT DOCUMENTS

D256,018 S *	7/1980	Stone	D12/192
D326,661 S *	6/1992	Flenniken	D15/17
D436,114 S *	1/2001	Beugelsdyk	D15/17
D627,798 S *	11/2010	Berning	D15/28
D627,800 S *	11/2010	Berning	D15/28
D627,801 S *	11/2010	Berning	D15/28
D628,603 S *	12/2010	Berning	D15/28
D685,397 S *	7/2013	Anderson	D15/28

D689,443 S *	9/2013	Ewringmann	D13/164
D690,325 S *	9/2013	Scott	D15/28
D690,326 S *	9/2013	Scott	D15/28
D721,740 S *	1/2015	Schmaltz	D15/28
D731,560 S *	6/2015	Schmaltz	D15/28
D737,336 S *	8/2015	Ewringmann	D15/28
D742,936 S *	11/2015	Ewringmann	D15/28
D752,115 S *	3/2016	Ewringmann	D15/28
D752,116 S *	3/2016	Ewringmann	D15/28
D752,657 S *	3/2016	Ewringmann	D15/28
D752,658 S *	3/2016	Ewringmann	D15/28
D760,814 S *	7/2016	Ewringmann	D15/28
D767,643 S *	9/2016	Sohngen	D15/28
D770,541 S *	11/2016	Ewringmann	D15/28

OTHER PUBLICATIONS

U.S. Appl. No. 29/567,579, filed Jun. 10, 2016, Dwayne St. George Jackson.

(Continued)

Primary Examiner — Mark A Goodwin

(74) *Attorney, Agent, or Firm* — Richard K. DeMille; Rebecca L. Henkel

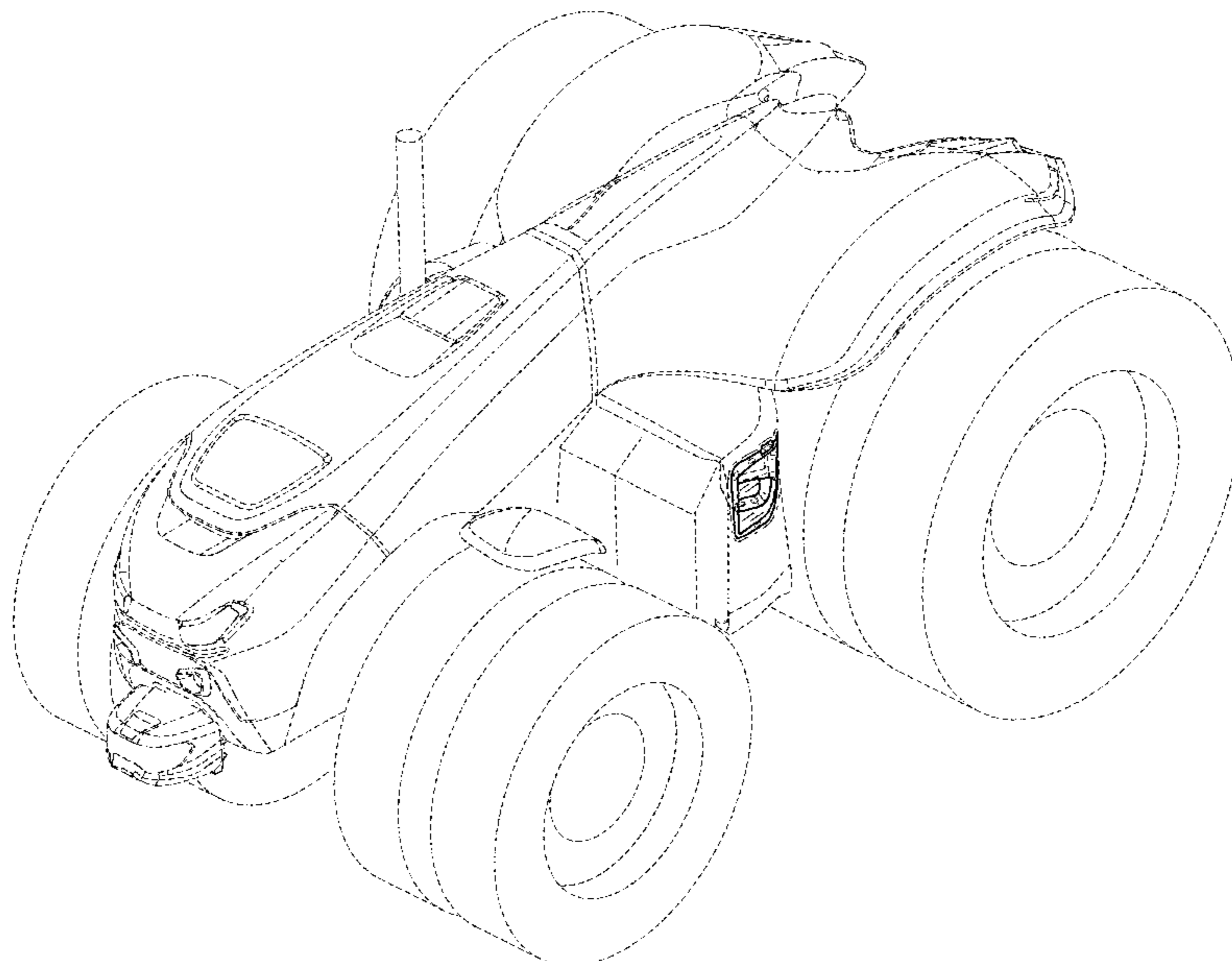
(57) **CLAIM**

The ornamental design for a control assembly of an agricultural work vehicle, substantially as shown and described.

DESCRIPTION

FIG. 1 is a perspective view of a control assembly of an agricultural work vehicle;
 FIG. 2 is a top view of the control assembly;
 FIG. 3 is a left side view of the control assembly;
 FIG. 4 is a detailed left side view of the control assembly, taken within line 4-4 of FIG. 3; and,
 FIG. 5 is a back view of the control assembly.
 Phantom lines, where utilized, are for illustrative purposes only and form no part of the claimed design.

1 Claim, 5 Drawing Sheets



(56)

References Cited

OTHER PUBLICATIONS

- U.S. Appl. No. 29/567,581, filed Jun. 10, 2016, Dwayne St. George Jackson.
- U.S. Appl. No. 29/567,582, filed Jun. 10, 2016, Dwayne St. George Jackson.
- U.S. Appl. No. 29/567,593, filed Jun. 10, 2016, Dwayne St. George Jackson.
- U.S. Appl. No. 29/567,603, filed Jun. 10, 2016, Dwayne St. George Jackson.
- U.S. Appl. No. 29/567,607, filed Jun. 10, 2016, Dwayne St. George Jackson.
- U.S. Appl. No. 29/567,615, filed Jun. 10, 2016, Dwayne St. George Jackson.
- U.S. Appl. No. 29/567,621, filed Jun. 10, 2016, Dwayne St. George Jackson.
- U.S. Appl. No. 29/567,622, filed Jun. 10, 2016, Dwayne St. George Jackson.
- U.S. Appl. No. 29/567,653, filed Jun. 10, 2016, Frank Zsigmond Asztalos.

* cited by examiner

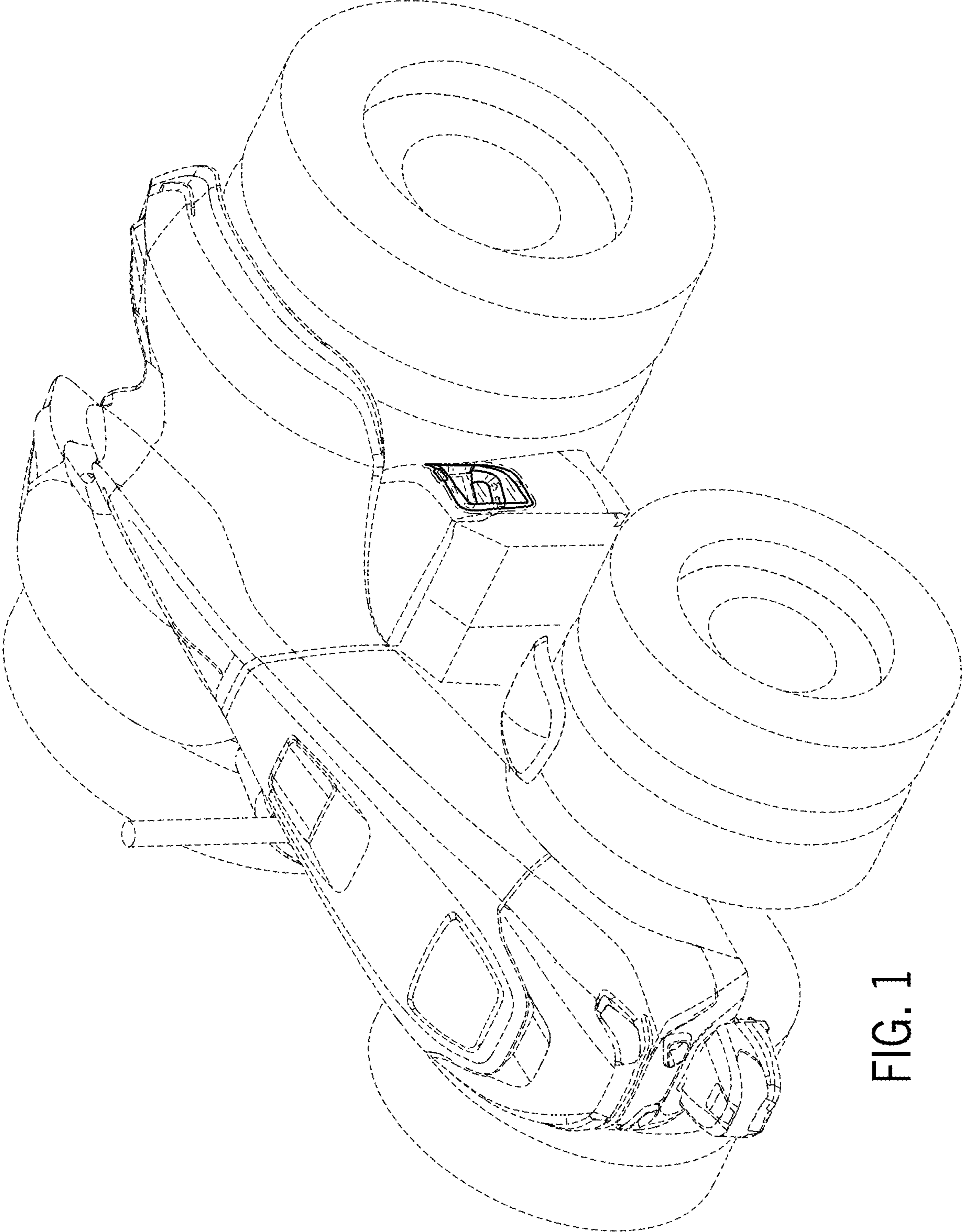


FIG. 1

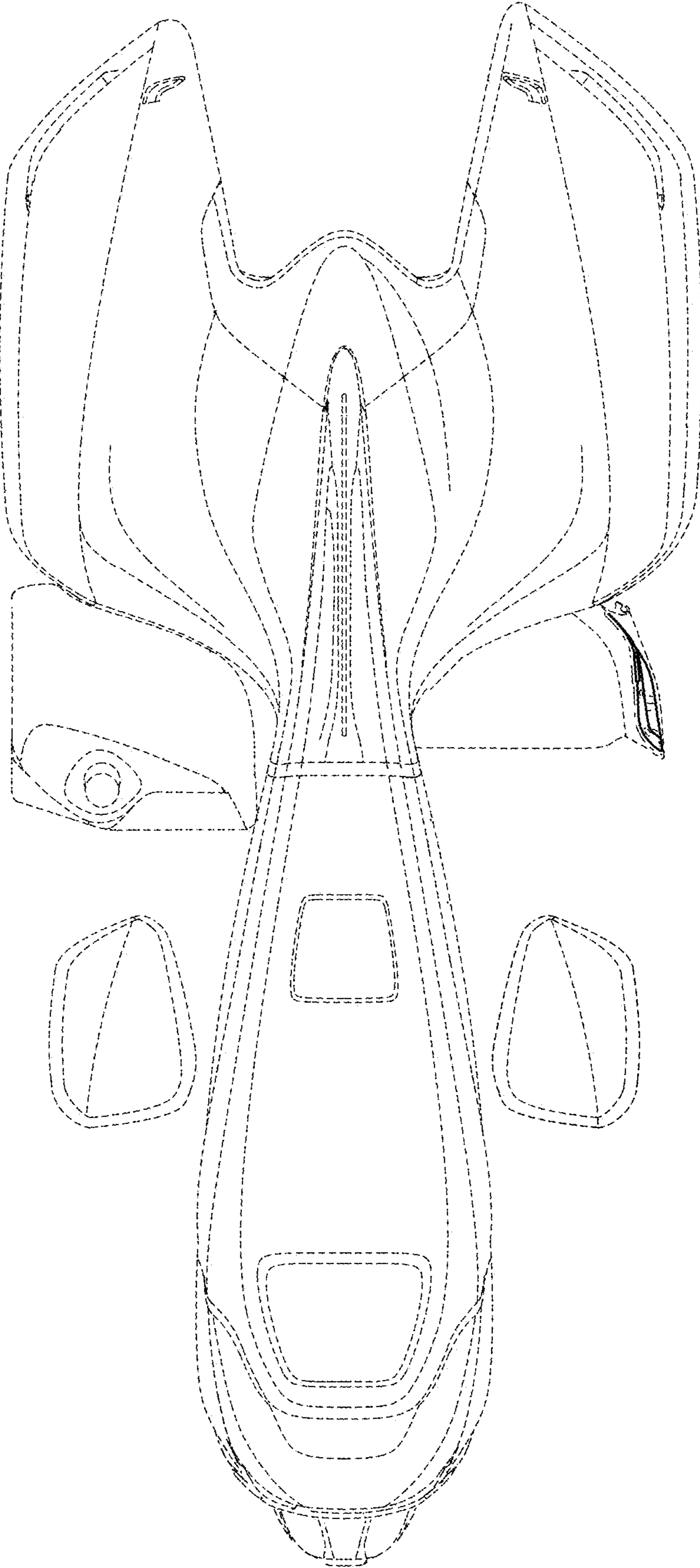


FIG. 2

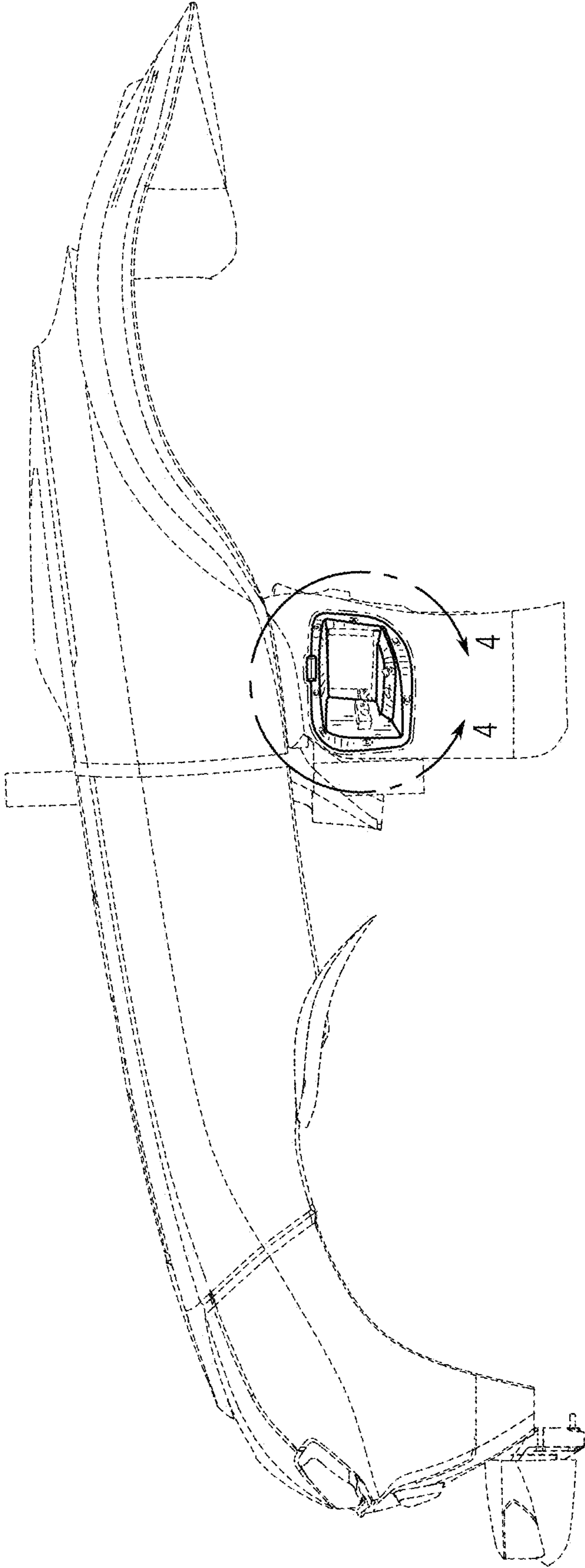


FIG. 3

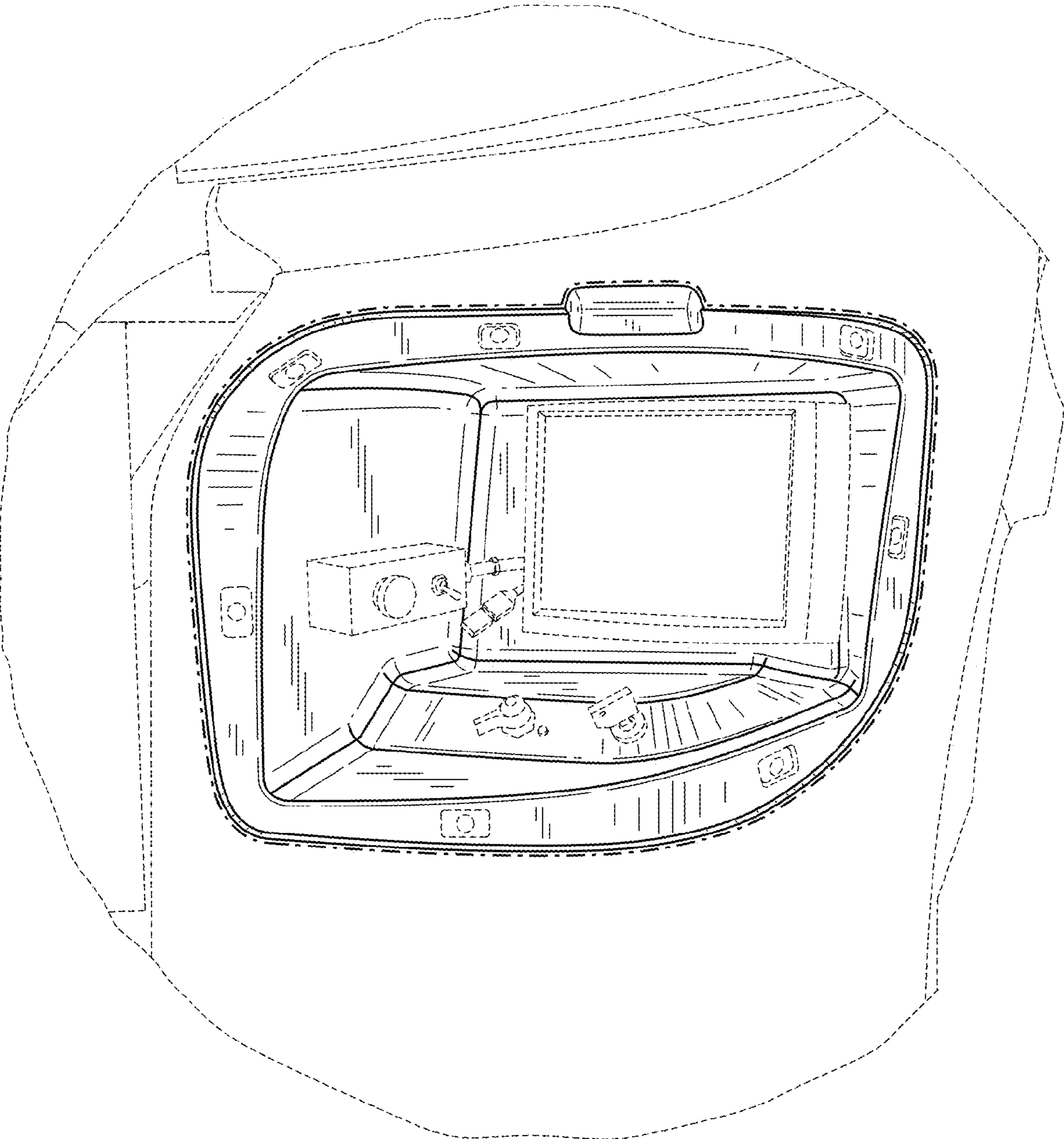


FIG. 4

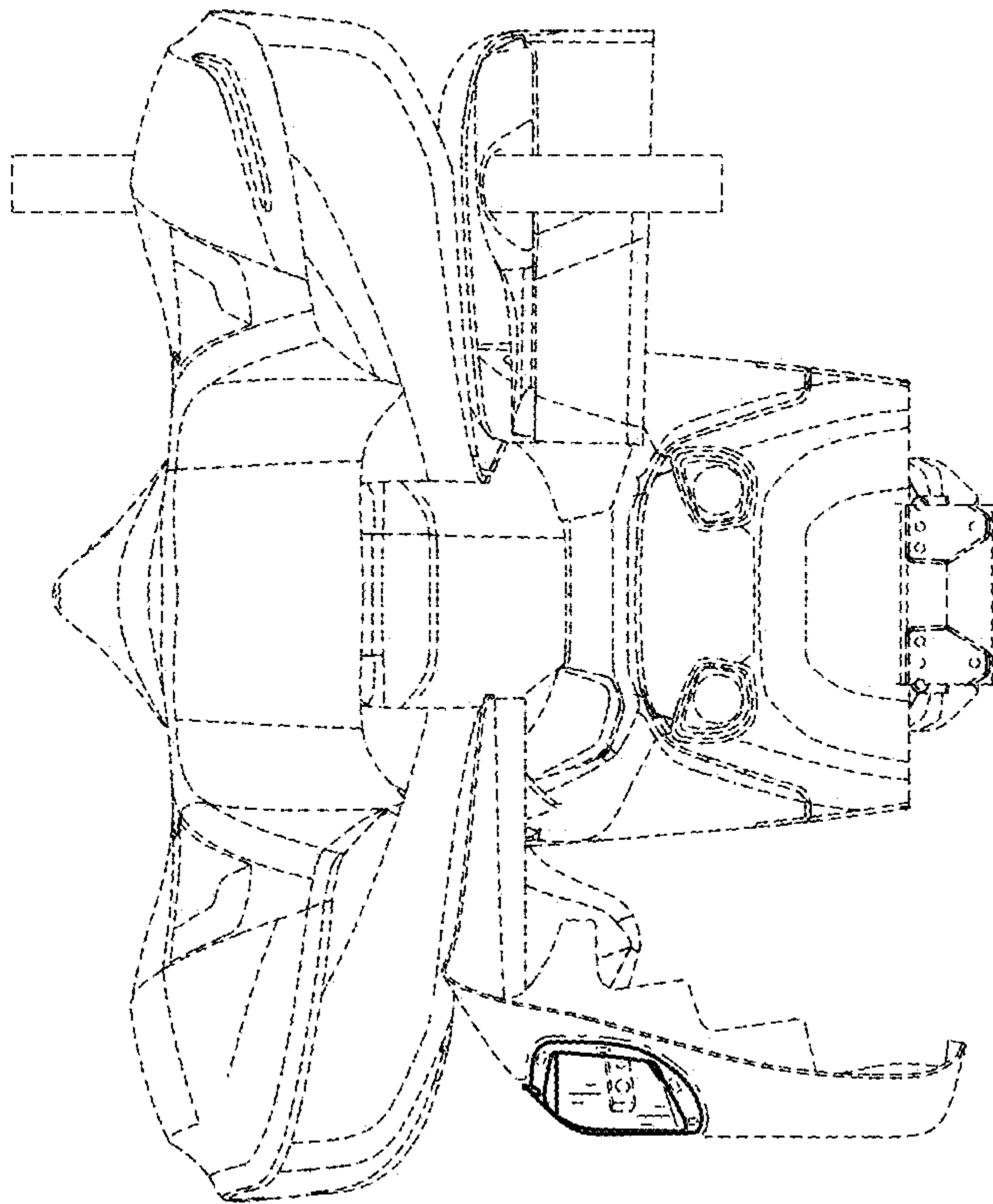


FIG. 5