



US00D877204S

(12) **United States Design Patent** (10) **Patent No.:** **US D877,204 S**
Jackson et al. (45) **Date of Patent:** **** Mar. 3, 2020**

(54) **AGRICULTURAL WORK VEHICLE**
(71) Applicant: **CNH Industrial America LLC**, New Holland, PA (US)
(72) Inventors: **Dwayne St. George Jackson**, Plainfield, IL (US); **Frank Zsigmond Asztalos**, Orchard Lake, MI (US); **David Melvin Wilkie**, Turin (IT); **Eric Michael Jacobsthal**, Elmhurst, IL (US); **Jesse Weldon Gonzales**, Fairfax, VA (US); **Christopher Alan Foster**, Mohnton, PA (US); **John Bradley Lukac**, St. John, IN (US)

D720,874 S 1/2015 Jackson et al.
D733,767 S * 7/2015 Kushita D15/31
D736,435 S 8/2015 Jackson et al.
D752,117 S 3/2016 Jackson et al.
D753,194 S 4/2016 Jackson et al.
D753,195 S 4/2016 Jackson et al.
D764,085 S 8/2016 Jackson et al.
D765,740 S 9/2016 Jackson et al.
D766,340 S 9/2016 Jackson et al.
D766,341 S 9/2016 Jacobsthal et al.
D768,210 S * 10/2016 Jacobsthal D15/31
D777,220 S * 1/2017 Powell D15/31

(Continued)

(73) Assignee: **CNH Industrial America LLC**, New Holland, PA (US)

(**) Term: **15 Years**

(21) Appl. No.: **29/567,603**

(22) Filed: **Jun. 10, 2016**

(51) **LOC (12) Cl.** **15-03**

(52) **U.S. Cl.**
USPC **D15/28**

(58) **Field of Classification Search**
USPC D15/10, 22, 26, 28, 30, 31; 180/89.11, 180/89.12, 89.13, 89.19, 90; 296/190.01, 296/190.08, 210, 190, 202
CPC . B66C 13/54; E02F 9/16; E02F 9/163; B62D 33/0617; B60J 7/00; B60J 1/004
See application file for complete search history.

(56) **References Cited**

U.S. PATENT DOCUMENTS

D489,381 S * 5/2004 Mistry D15/23
D707,729 S 6/2014 Jackson et al.
D707,730 S 6/2014 Jackson et al.
D716,846 S * 11/2014 Carter D15/31

OTHER PUBLICATIONS

U.S. Appl. No. 29/567,579, filed Jun. 10, 2016, Dwayne St. George Jackson.

(Continued)

Primary Examiner — Mark A Goodwin

(74) *Attorney, Agent, or Firm* — Rickard K. DeMille; Rebecca L. Henkel

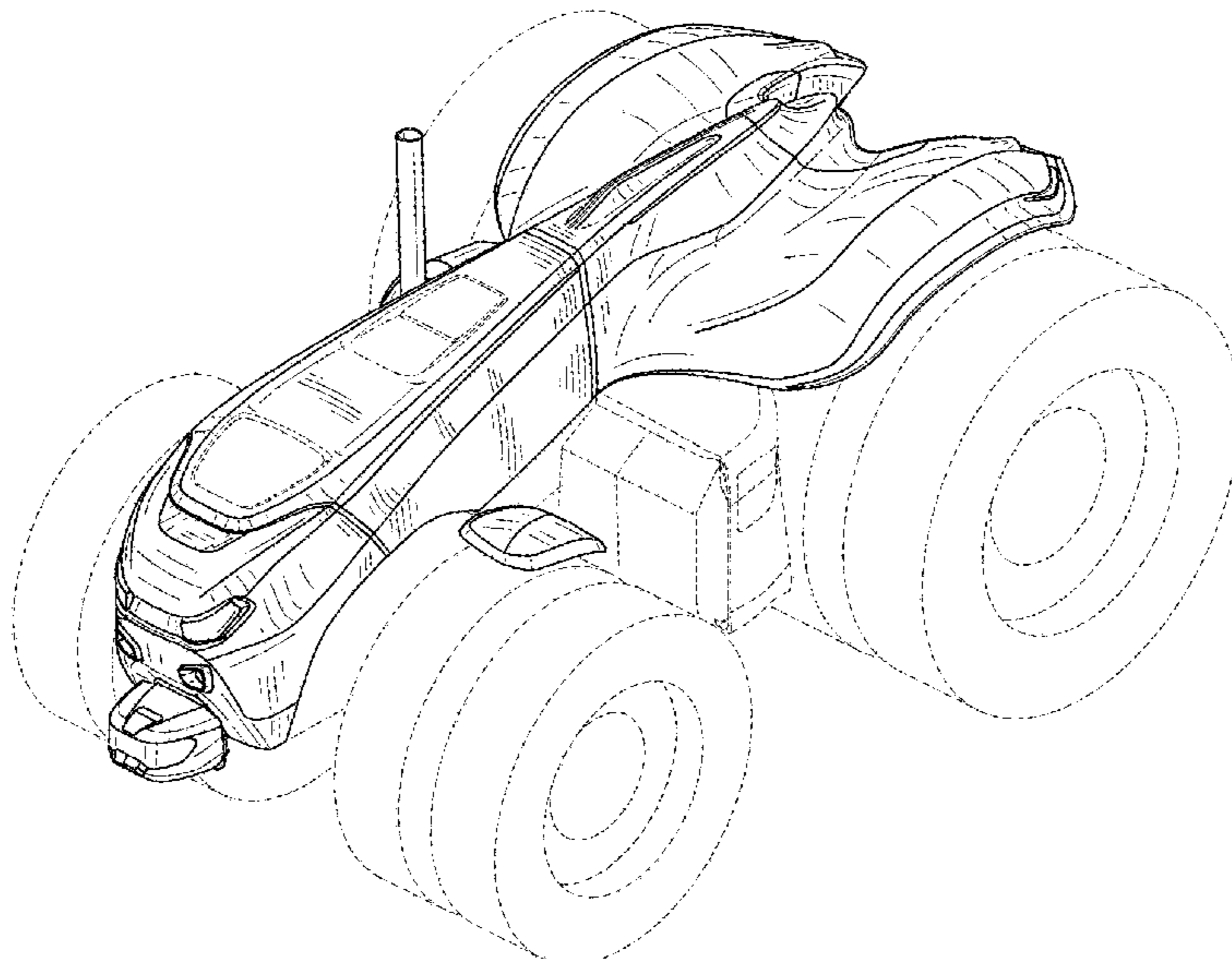
(57) **CLAIM**

The ornamental design for an agricultural work vehicle, substantially as shown and described.

DESCRIPTION

FIG. 1 is a front perspective view of an agricultural work vehicle;
FIG. 2 is a back perspective view of the agricultural work vehicle;
FIG. 3 is a top view of the agricultural work vehicle;
FIG. 4 is a right side view of the agricultural work vehicle;
FIG. 5 is a left side view of the agricultural work vehicle;
FIG. 6 is a front view of the agricultural work vehicle; and,
FIG. 7 is a back view of the agricultural work vehicle.
Phantom lines, where utilized, are for illustrative purposes only and form no part of the claimed design.

1 Claim, 7 Drawing Sheets



(56)

References Cited

U.S. PATENT DOCUMENTS

D778,963 S	*	2/2017	Yang	D15/31
D785,681 S	*	5/2017	Okuyama	D15/31
D791,197 S	*	7/2017	Asztalos	D15/31
D792,483 S	*	7/2017	Jackson	D15/28
D804,539 S	*	12/2017	Okuyama	D15/31
D806,761 S	*	1/2018	Jackson	D15/31

OTHER PUBLICATIONS

- U.S. Appl. No. 29/567,581, filed Jun. 10, 2016, Dwayne St. George Jackson.
- U.S. Appl. No. 29/567,582, filed Jun. 10, 2016, Dwayne St. George Jackson.
- U.S. Appl. No. 29/567,593, filed Jun. 10, 2016, Dwayne St. George Jackson.
- U.S. Appl. No. 29/567,605, filed Jun. 10, 2016, Dwayne St. George Jackson.
- U.S. Appl. No. 29/567,607, filed Jun. 10, 2016, Dwayne St. George Jackson.
- U.S. Appl. No. 29/567,615, filed Jun. 10, 2016, Dwayne St. George Jackson.
- U.S. Appl. No. 29/567,621, filed Jun. 10, 2016, Dwayne St. George Jackson.
- U.S. Appl. No. 29/567,622, filed Jun. 10, 2016, Dwayne St. George Jackson.
- U.S. Appl. No. 29/567,653, filed Jun. 10, 2016, Frank Zsigmond Asztalos.
- U.S. Appl. No. 29/549,482, filed Dec. 22, 2015, Eric M. Jacobsthal.
- U.S. Appl. No. 14/741,210, filed Jun. 16, 2015, Dwayne St. George Jackson.

* cited by examiner

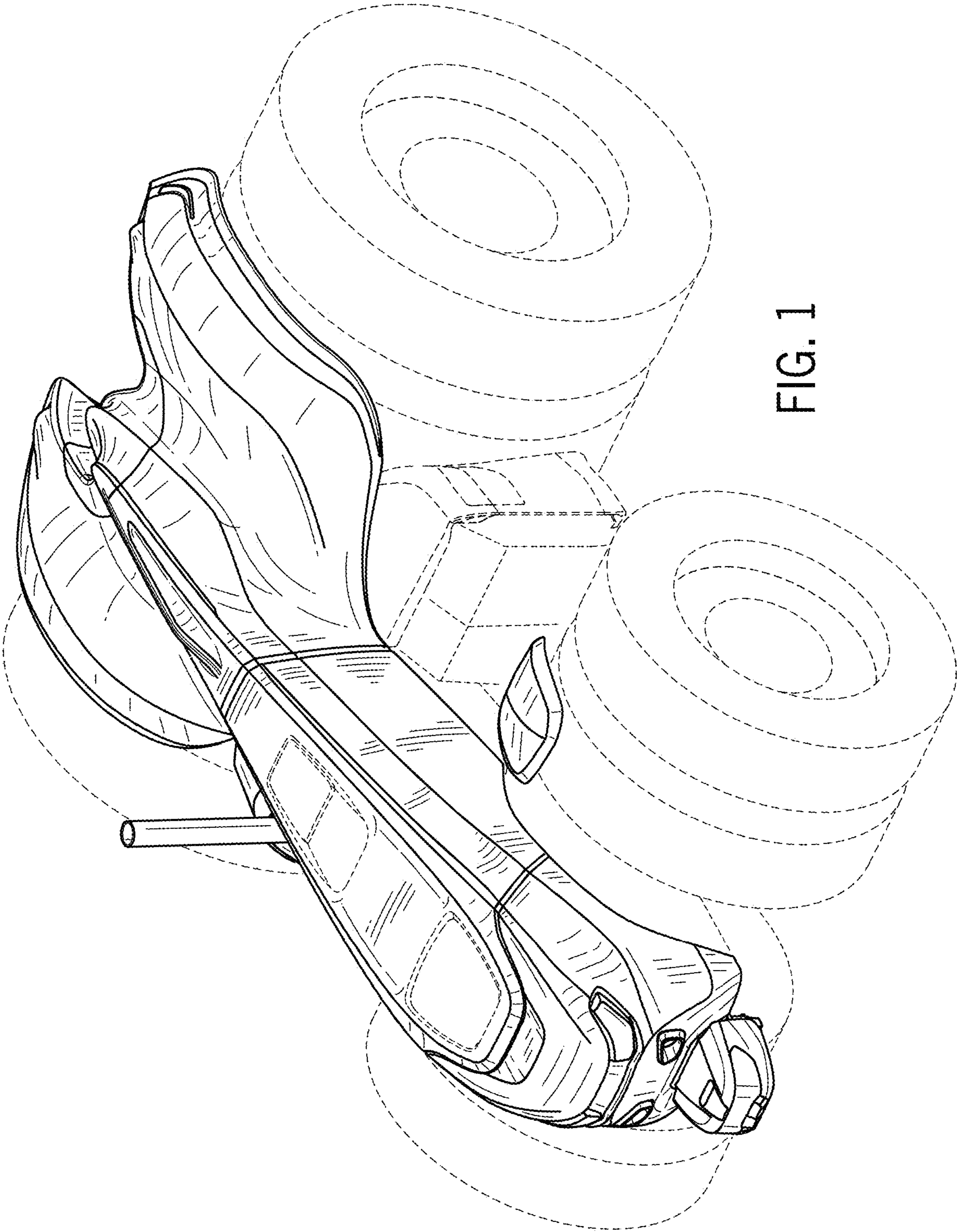


FIG. 1

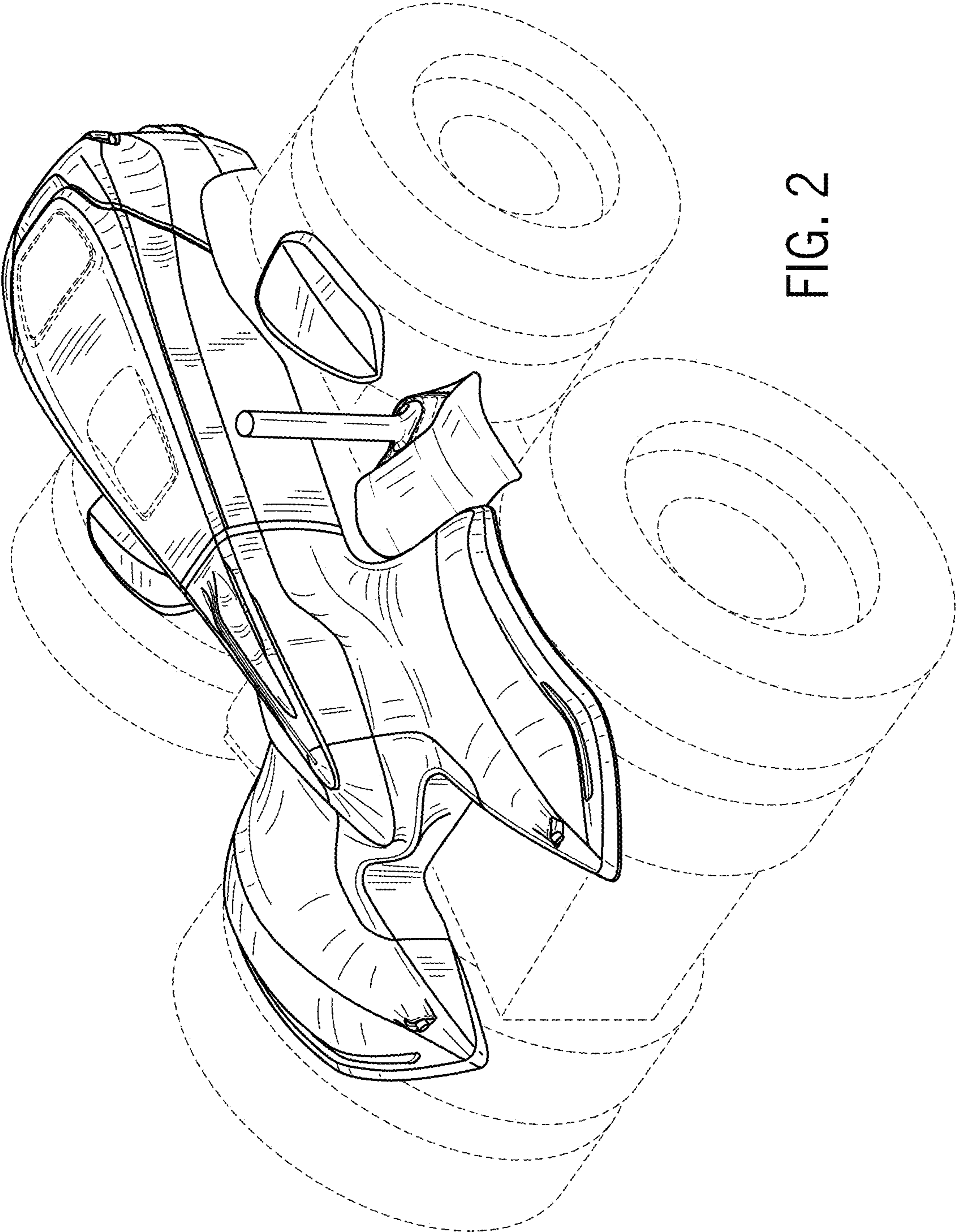


FIG. 2

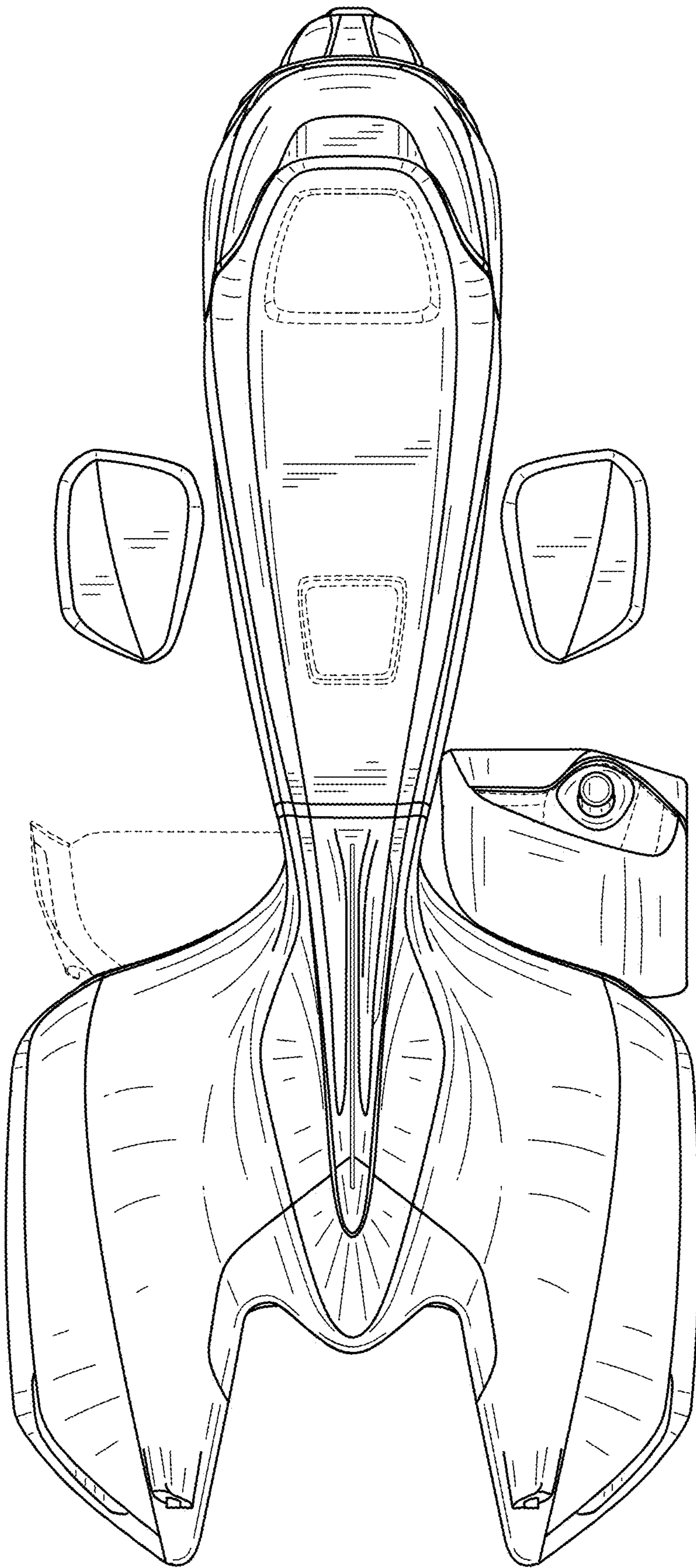


FIG. 3

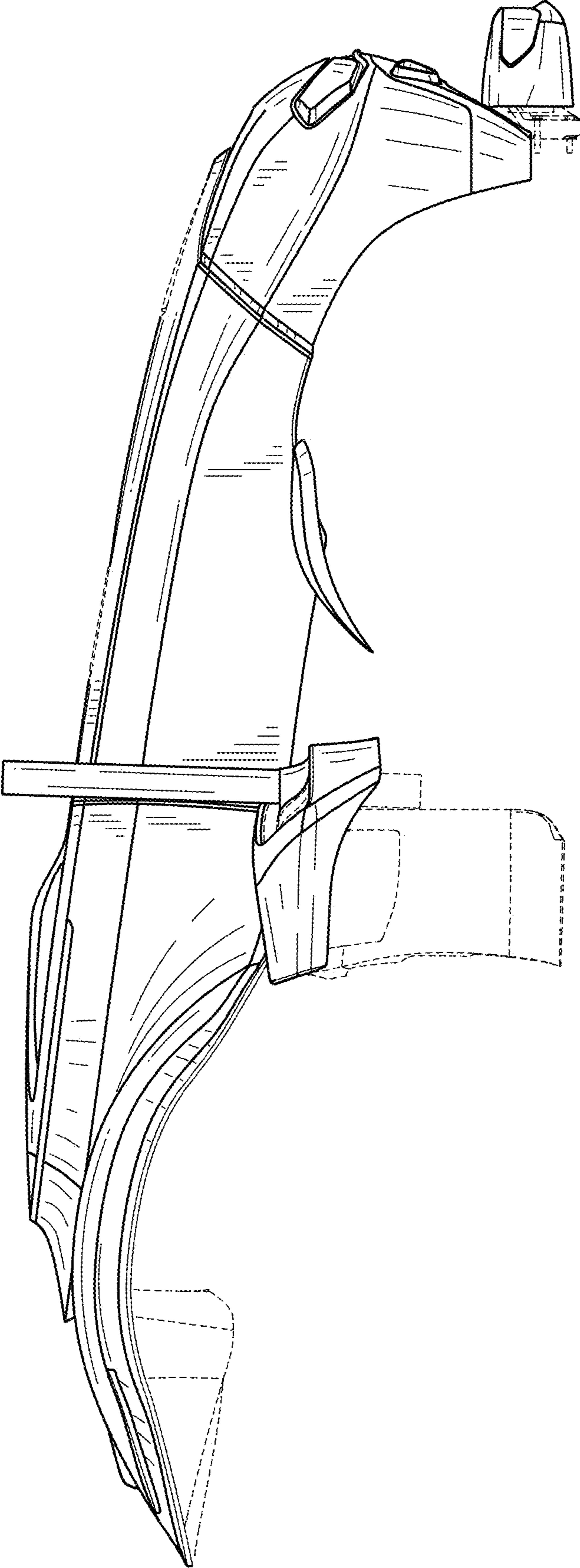


FIG. 4

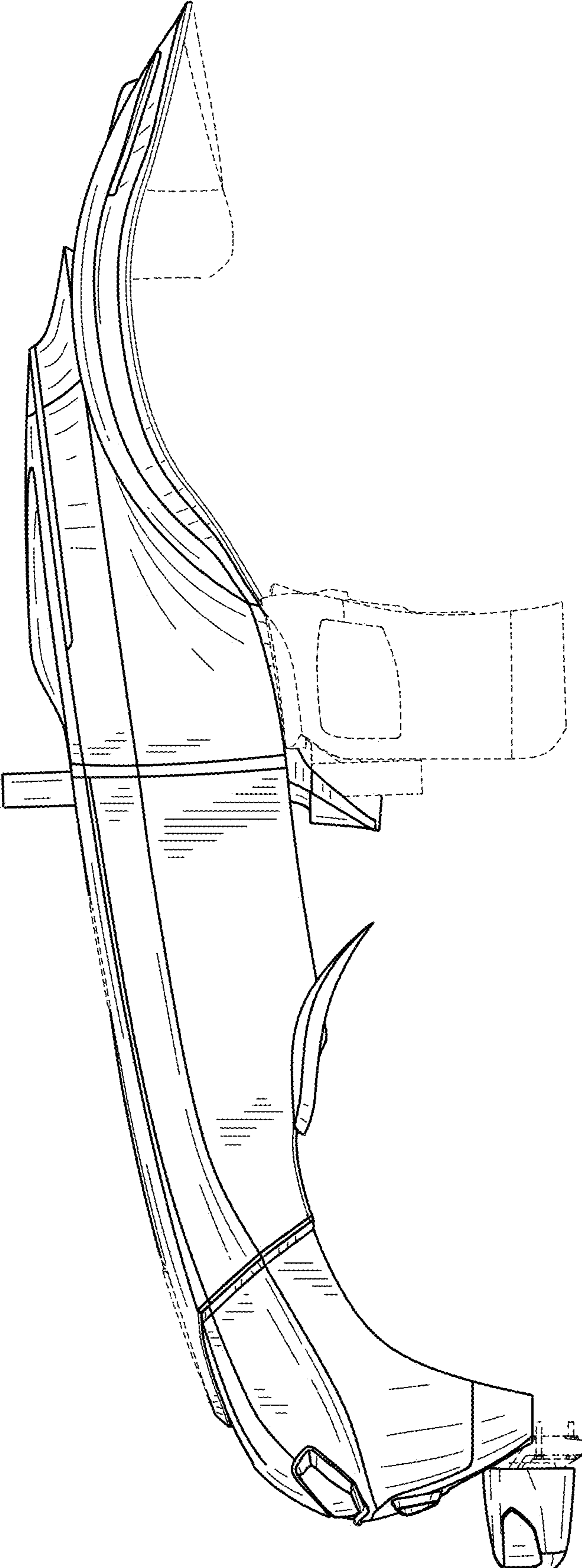


FIG. 5

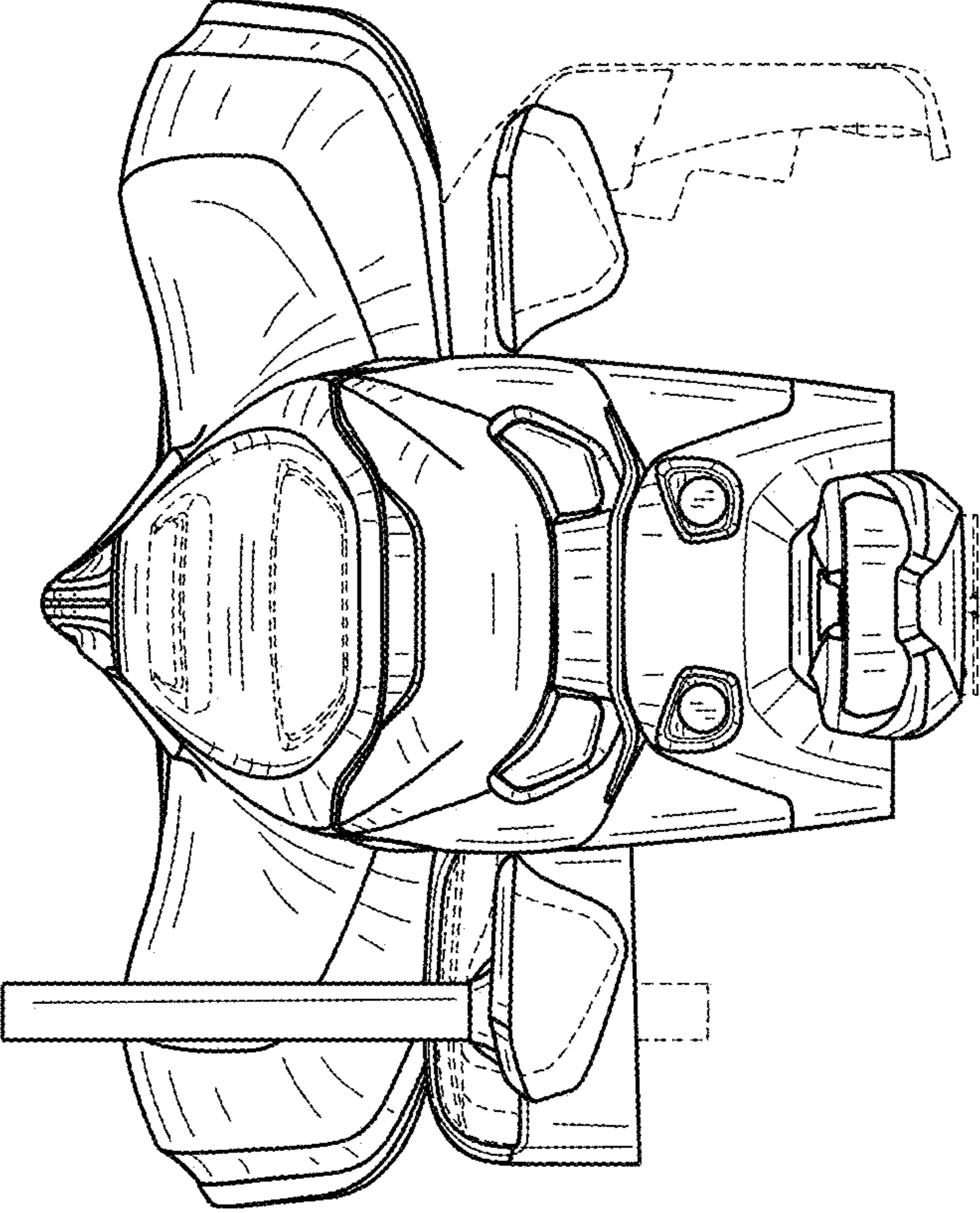


FIG. 6

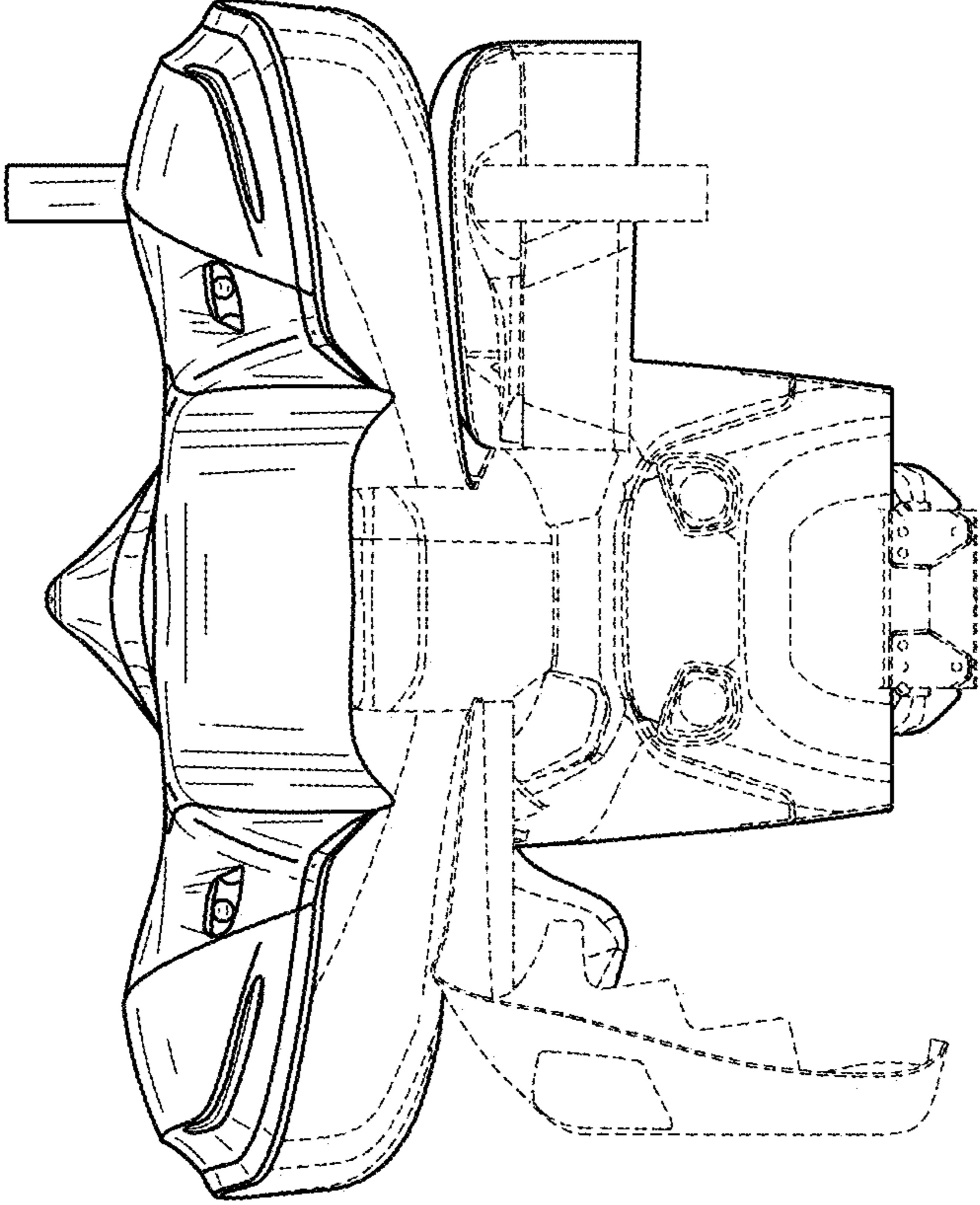


FIG. 7