



US00D877203S

(12) **United States Design Patent**
Ruangjam

(10) **Patent No.:** **US D877,203 S**
(45) **Date of Patent:** **** Mar. 3, 2020**

- (54) **BEAN HARVESTING ATTACHMENT**
- (71) Applicant: **SIAM KUBOTA CORPORATION COMPANY LIMITED**, Pathumtani Province (TH)
- (72) Inventor: **Wuttinun Ruangjam**, Samutsakorn Province (TH)
- (73) Assignee: **Siam Kubota Corporation Company Limited**, Pathumtani (TH)
- (**) Term: **15 Years**
- (21) Appl. No.: **29/671,050**
- (22) Filed: **Nov. 21, 2018**
- (30) **Foreign Application Priority Data**
 - Jun. 29, 2018 (TH) 1802002642
- (51) **LOC (12) Cl.** **15-03**
- (52) **U.S. Cl.**
USPC **D15/27**
- (58) **Field of Classification Search**
USPC D15/10, 16, 17, 22-28, 29
CPC A01D 29/00; A01D 69/06; A01D 67/00;
A01D 63/04; A01D 45/00; A01D 45/22;
A01D 41/00; A01D 43/06; A01D 34/06;
A01D 34/40; A01D 57/01; A01D 57/02
See application file for complete search history.

- (56) **References Cited**
U.S. PATENT DOCUMENTS
 - 3,279,158 A * 10/1966 Kirkpatrick A01D 34/032
56/228
 - 3,672,451 A * 6/1972 Sheckler A01D 45/22
171/58
 - 3,797,503 A * 3/1974 Dentant A01D 45/22
460/125

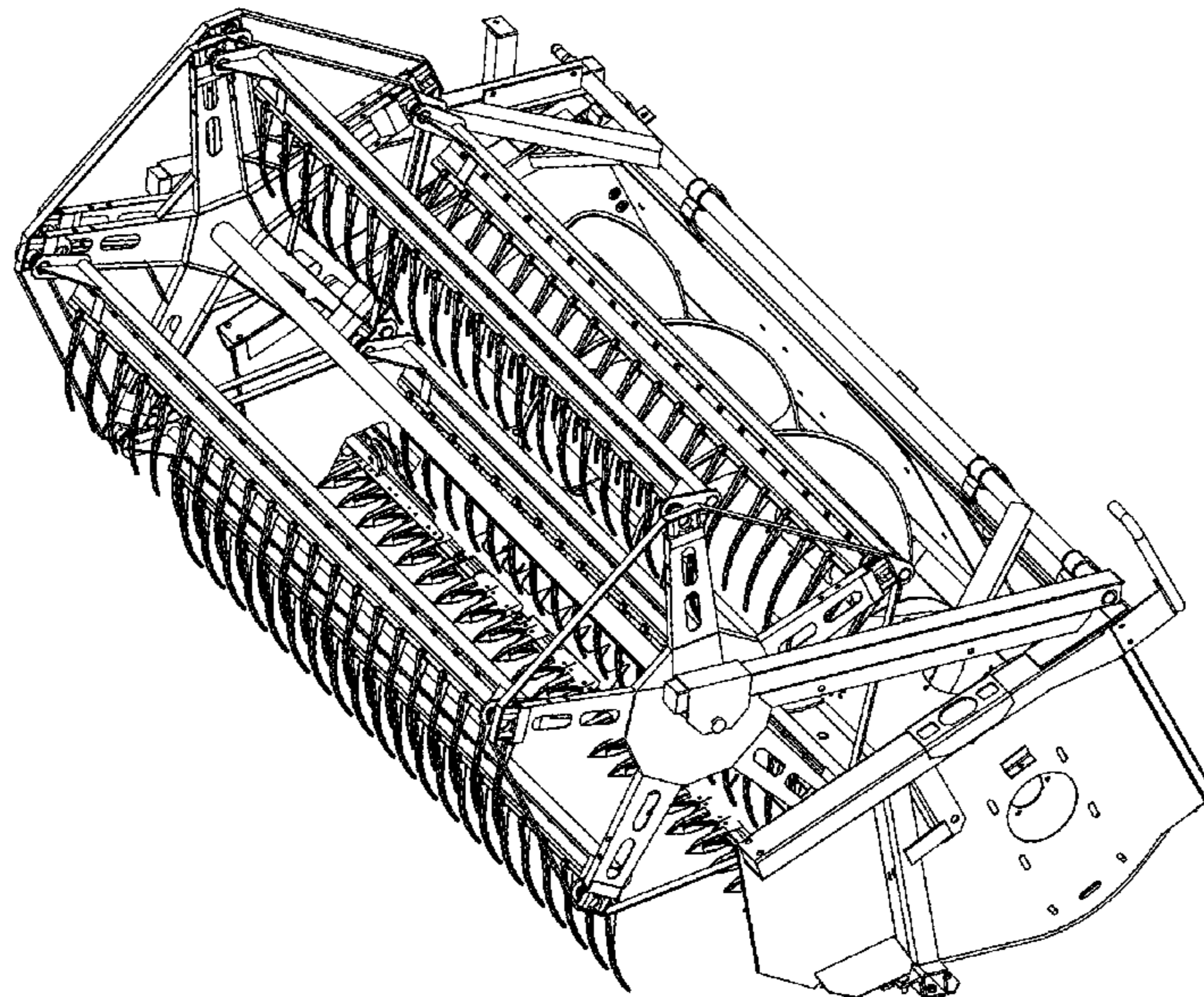
- 3,911,651 A * 10/1975 Schreiber A01D 45/22
56/98
- D242,914 S * 1/1977 Kilburn D15/27
- D252,206 S * 6/1979 Walker D15/27
- D261,889 S * 11/1981 Cicci D15/26
- 4,407,109 A * 10/1983 Swanson A01D 57/02
137/99
- D300,221 S * 3/1989 Odahara D15/24
- 5,167,110 A * 12/1992 Reimer A01D 45/22
56/327.1
- 5,193,331 A * 3/1993 Quandt A01D 45/22
56/12.8
- D337,122 S * 7/1993 Gullickson D15/28
- 5,809,759 A * 9/1998 Zyla A01D 45/003
56/220
- 5,867,972 A * 2/1999 Laumann A01D 41/14
56/126
- 6,024,178 A * 2/2000 Pickett A01D 45/22
171/1
- 7,908,835 B2 * 3/2011 Bertino A01D 29/00
460/59
- 9,392,745 B2 * 7/2016 Bertino A01D 34/06
(Continued)

Primary Examiner — Mark A Goodwin
(74) *Attorney, Agent, or Firm* — Jason P. Mueller; Adams and Reese LLP

(57) **CLAIM**
The ornamental design for a bean harvesting attachment, as shown and described.

DESCRIPTION
FIG. 1 is a front view of a bean harvesting attachment in accordance with the design;
FIG. 2 is a rear view thereof;
FIG. 3 is a right view thereof;
FIG. 4 is a left view thereof;
FIG. 5 is a top view thereof;
FIG. 6 is a bottom view thereof;
FIG. 7 is a perspective view thereof; and,
FIG. 8 is another perspective thereof.

1 Claim, 8 Drawing Sheets



(56)

References Cited

U.S. PATENT DOCUMENTS

2008/0295476 A1* 12/2008 Bertino A01D 29/00
56/122
2015/0156965 A1* 6/2015 Bertino A01D 34/06
56/192
2016/0183465 A1* 6/2016 Honey A01D 57/12
56/226

* cited by examiner

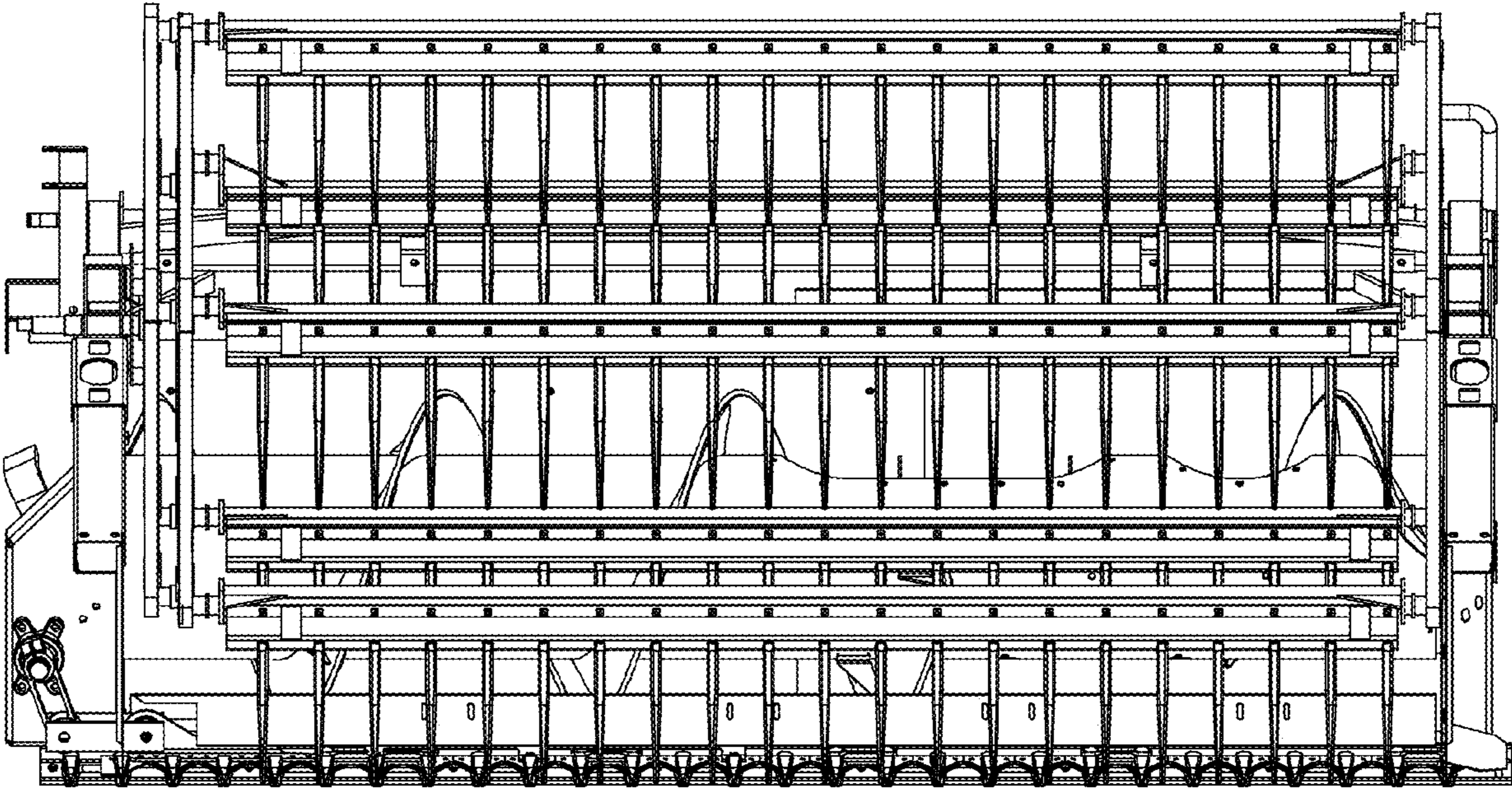


Figure 1

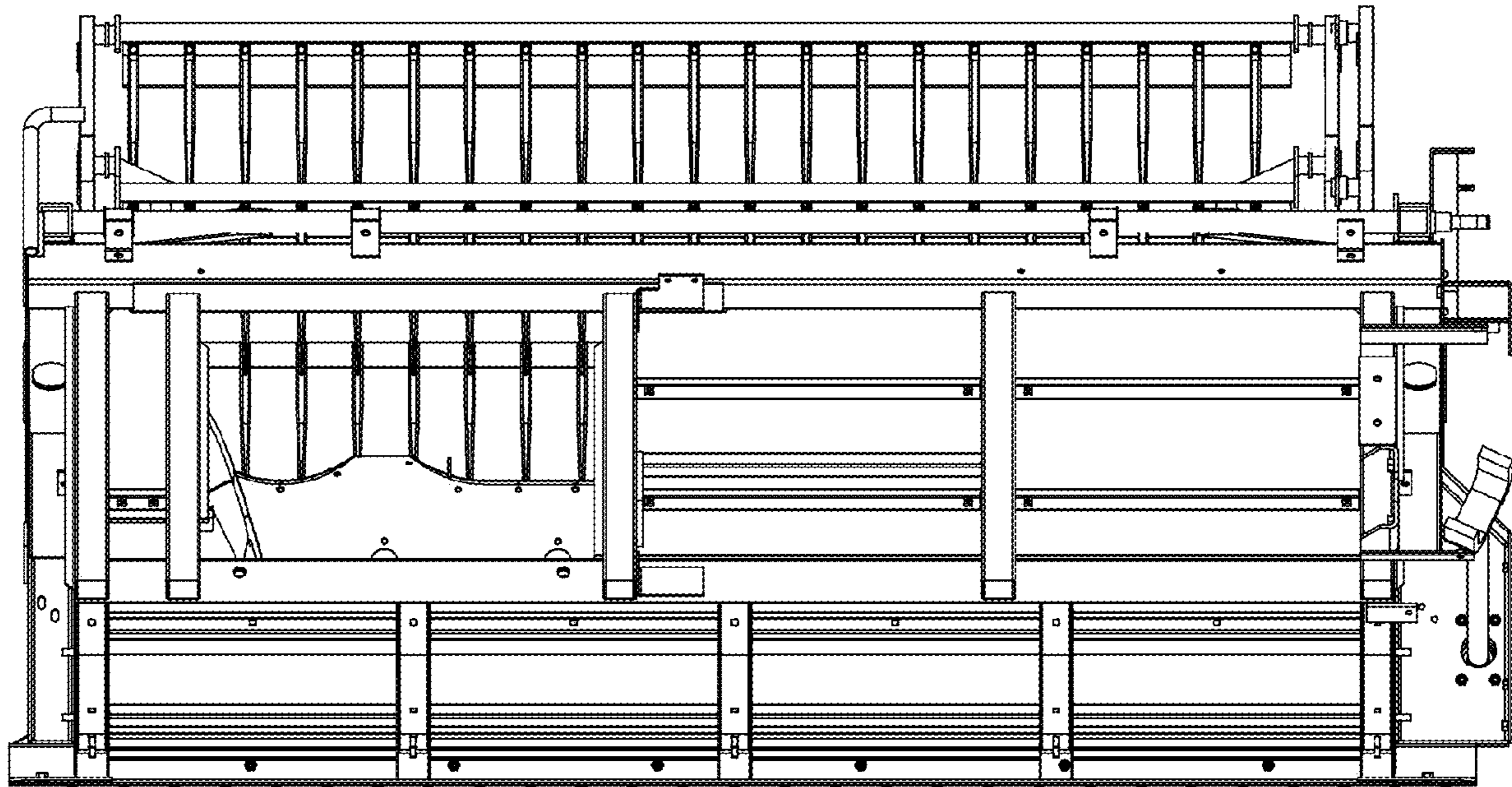


Figure 2

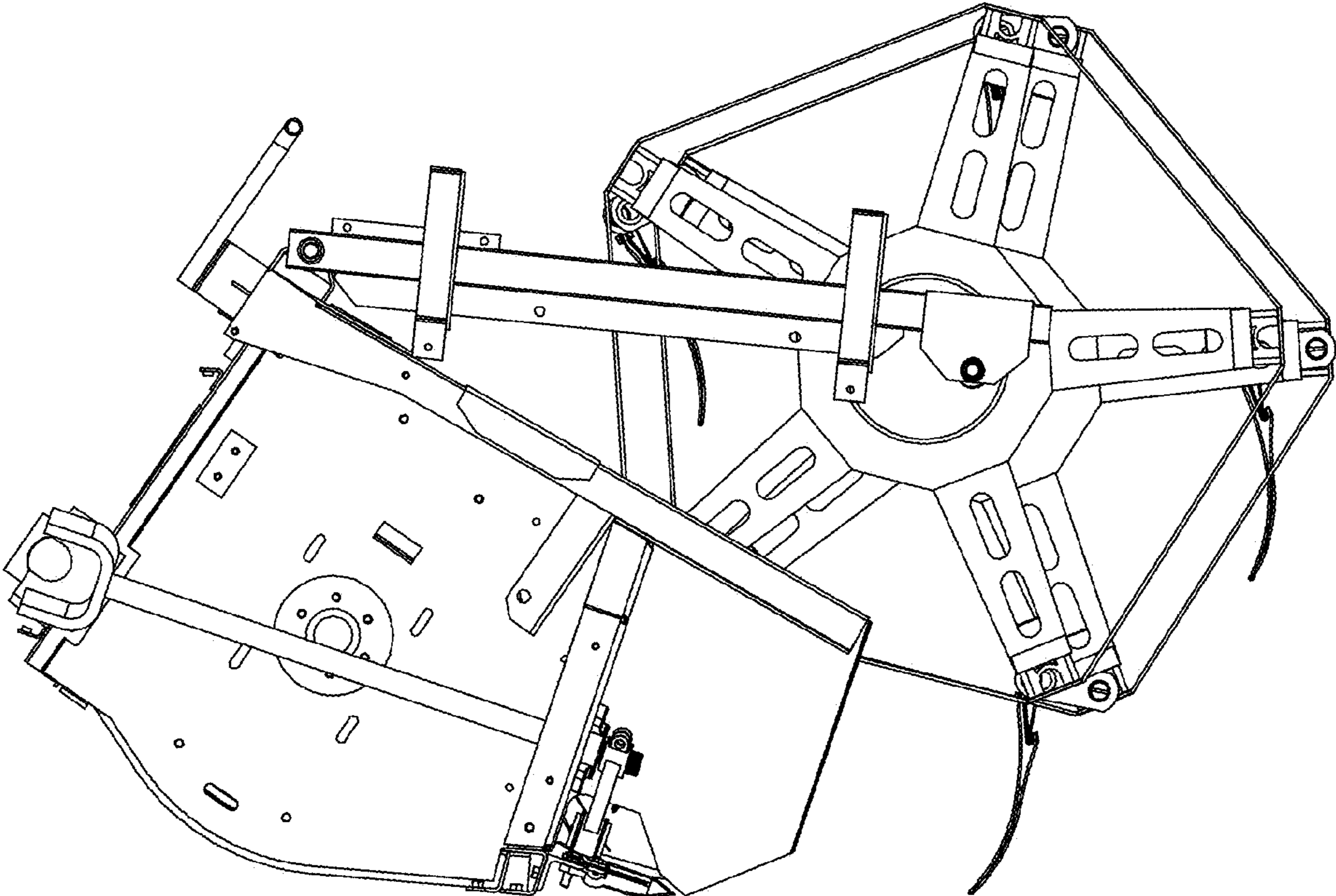


Figure 3

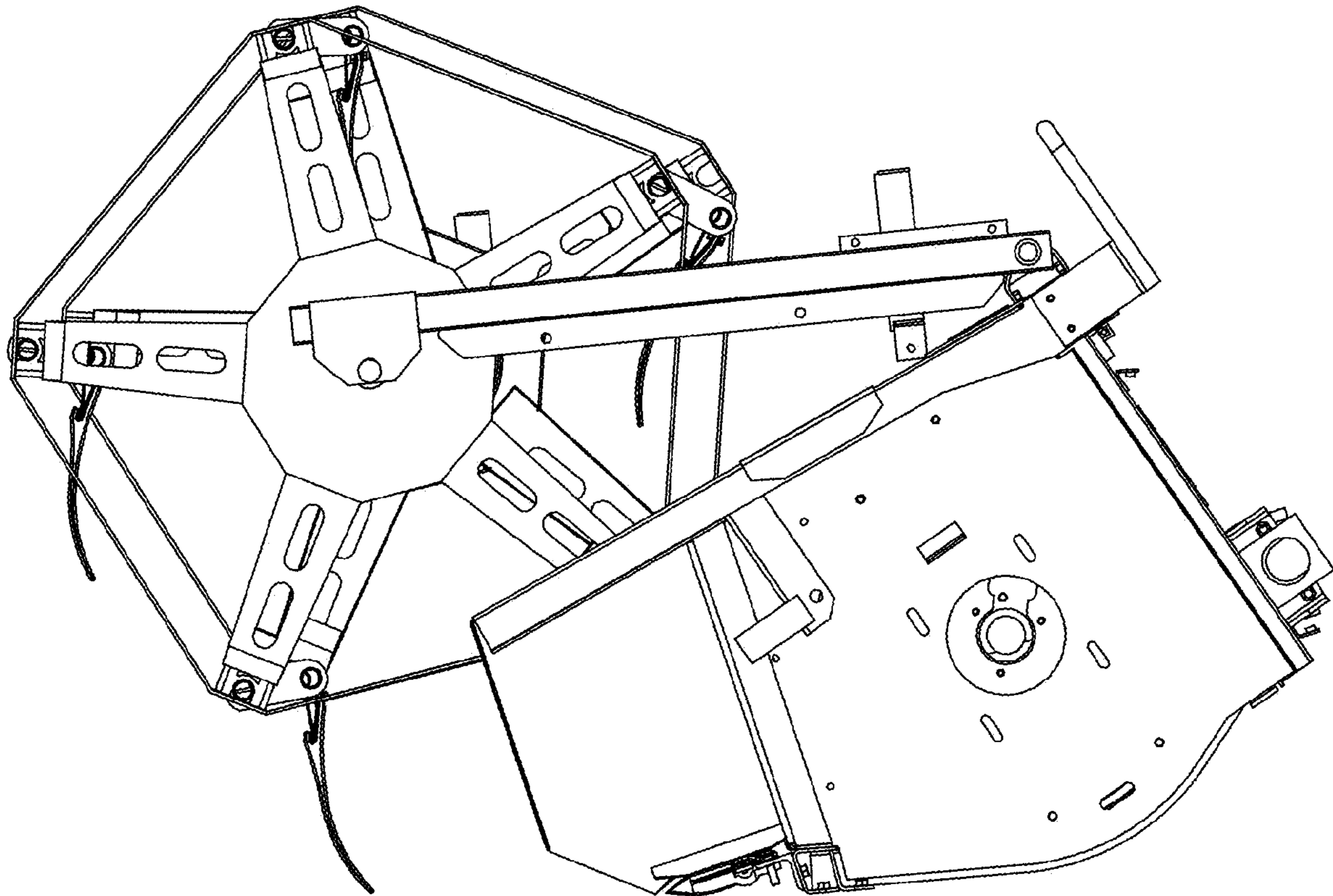


Figure 4

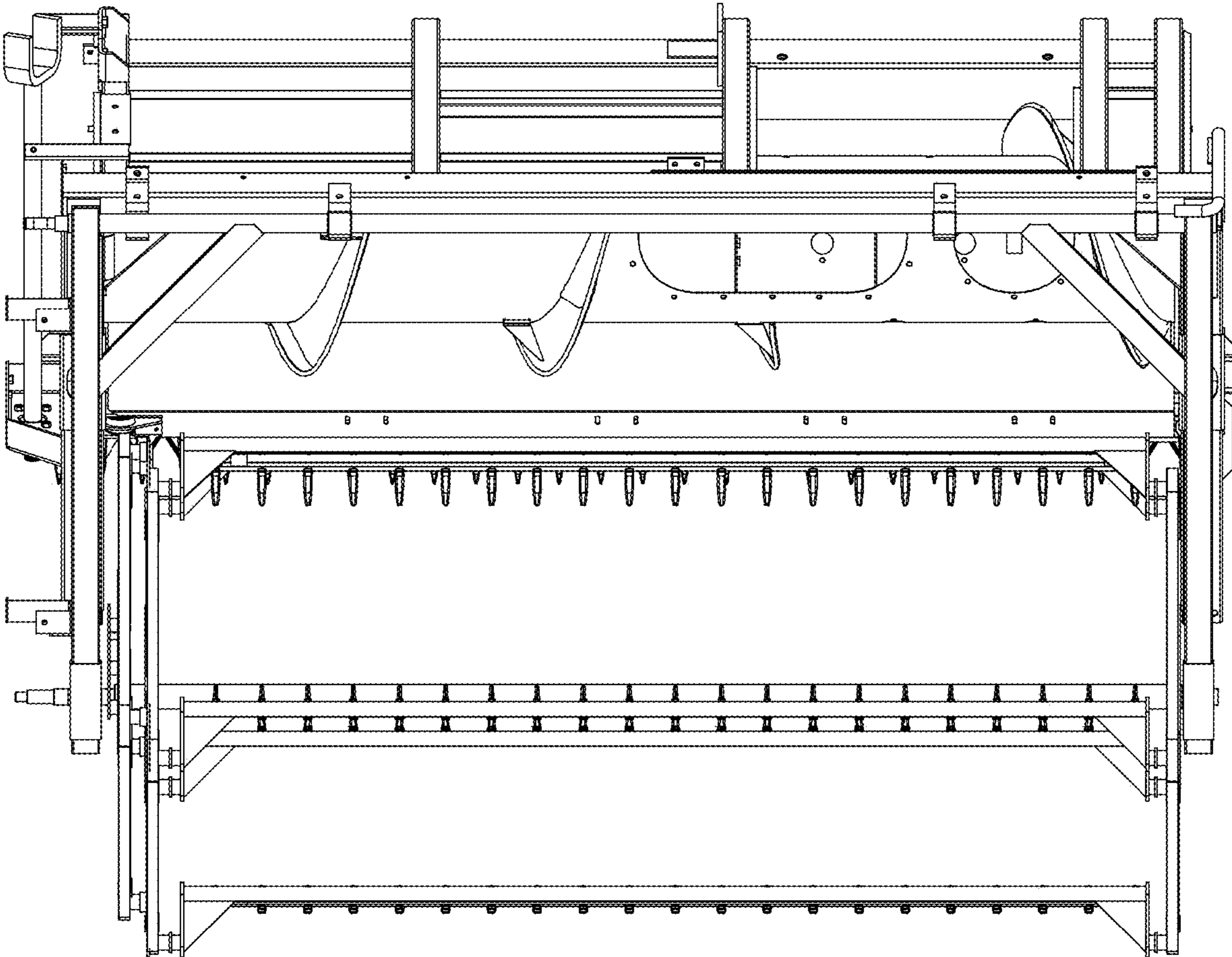


Figure 5

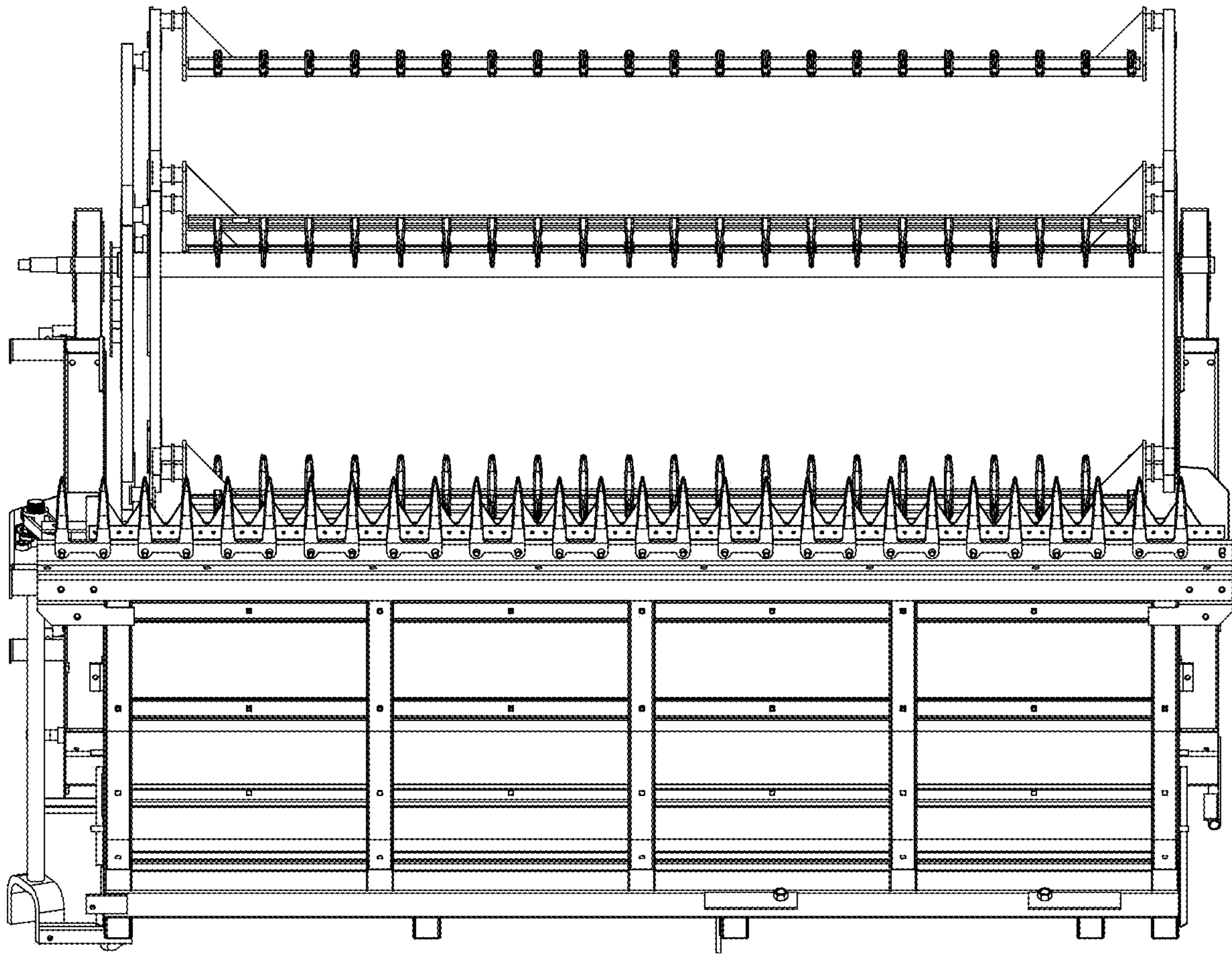


Figure 6

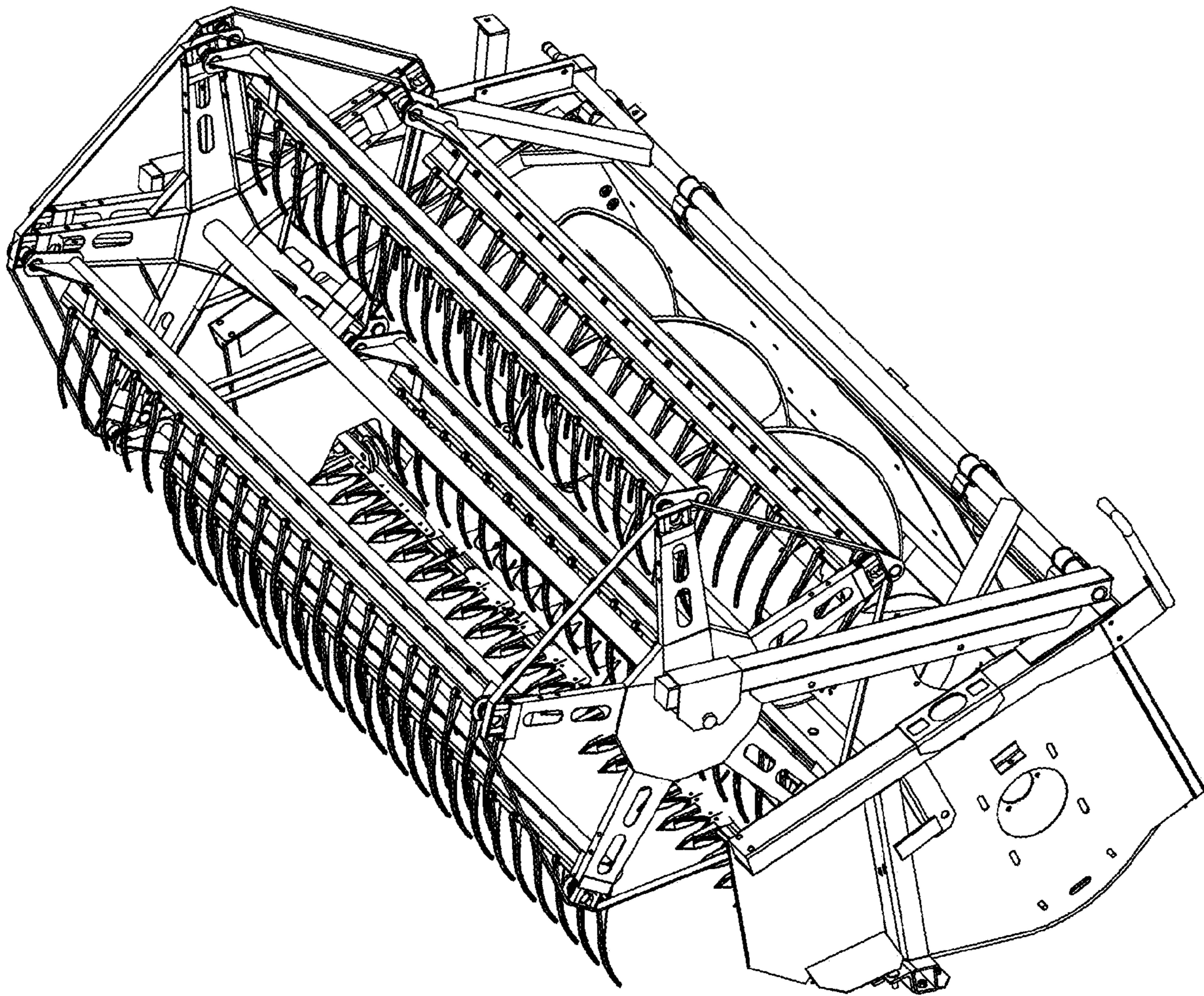


Figure 7

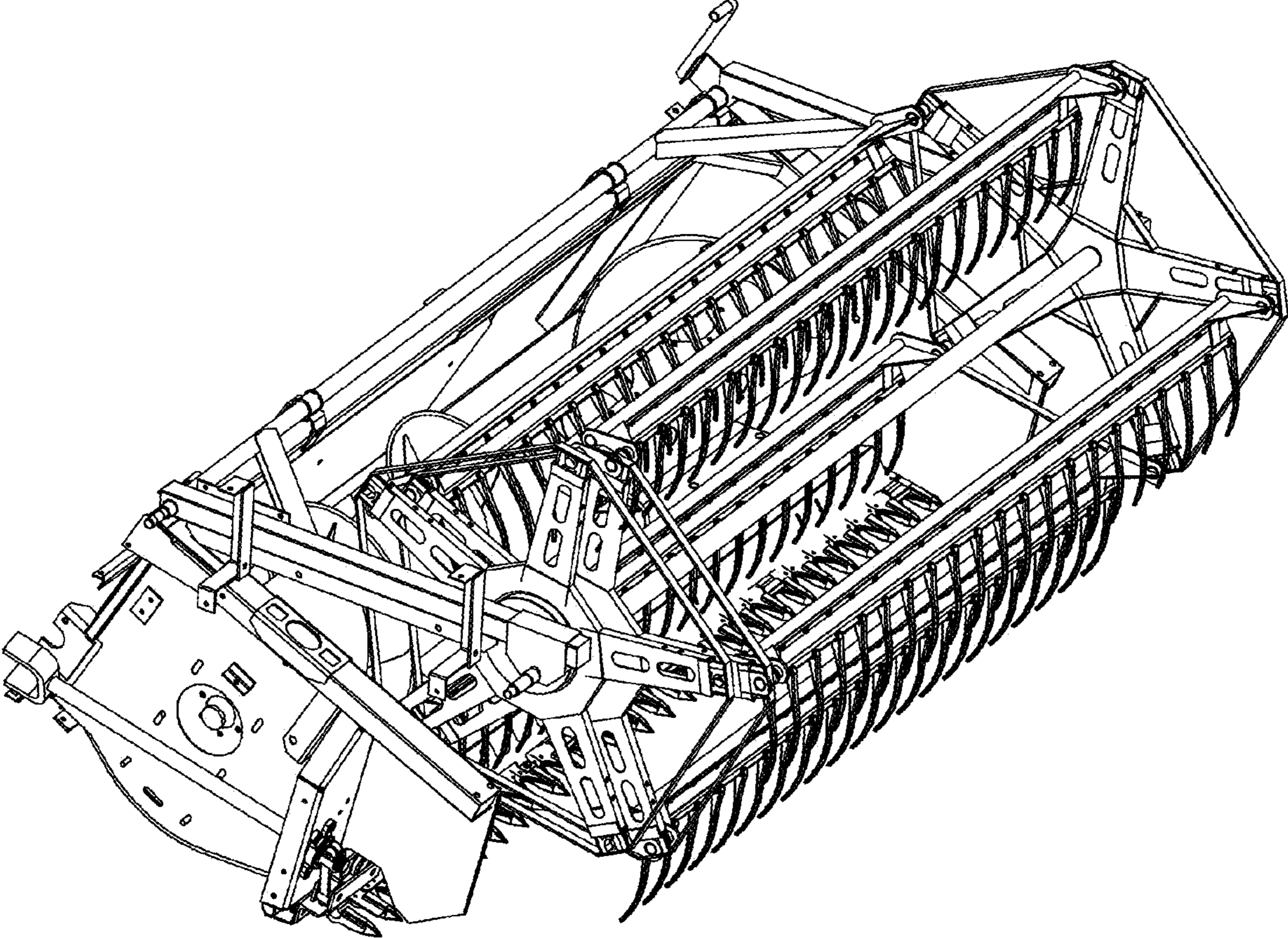


Figure 8