



US00D877202S

(12) **United States Design Patent**
Currier et al.

(10) **Patent No.:** **US D877,202 S**
(45) **Date of Patent:** **** Mar. 3, 2020**

- (54) **FUEL PUMP**
- (71) Applicant: **Great Plains Industries, Inc.**, Wichita, KS (US)
- (72) Inventors: **Jon D Currier**, Wichita, KS (US);
Matthew R Neibling, Andover, KS (US)
- (73) Assignee: **Great Plains Industries, Inc.**, Wichita, KS (US)
- (**) Term: **15 Years**
- (21) Appl. No.: **29/660,402**
- (22) Filed: **Aug. 21, 2018**
- (51) **LOC (12) Cl.** **15-02**
- (52) **U.S. Cl.**
USPC **D15/7**
- (58) **Field of Classification Search**
USPC D15/7-9; D23/231, 232, 225
CPC F04B 53/22; F04B 1/0448; F04B 53/92;
F04B 1/005; F04B 17/00; F02M 37/04;
F02M 37/14; F04D 13/06; F04D 29/22;
F04D 29/046; F04D 29/2266
See application file for complete search history.

| | | | |
|--------------|---------|------------------|-------|
| D470,864 S | 2/2003 | Shibukawa et al. | |
| D479,245 S | 9/2003 | Leu | |
| D479,246 S | 9/2003 | Leu | |
| D479,247 S | 9/2003 | Ullrich | |
| D488,820 S | 4/2004 | Rozek | |
| D496,670 S | 9/2004 | Ohnishi | |
| D541,816 S * | 5/2007 | Puls | D15/7 |
| D541,817 S * | 5/2007 | Puls | D15/7 |
| D543,217 S * | 5/2007 | Puls | D15/7 |
| D650,813 S * | 12/2011 | Varini | D15/7 |
| D656,518 S * | 3/2012 | Varini | D15/7 |
| D657,800 S * | 4/2012 | Villagomez, Jr. | D15/7 |
| D680,134 S * | 4/2013 | Fordyce | D15/7 |
| D682,885 S * | 5/2013 | Varini | D15/7 |
| D684,998 S * | 6/2013 | Southwood | D15/7 |
| D696,300 S * | 12/2013 | Arotzarena | D15/7 |
| D725,153 S * | 3/2015 | Berry | D15/7 |
| D818,005 S * | 5/2018 | Meda | D15/7 |

* cited by examiner

Primary Examiner — Mitchell I. Siegel

(74) *Attorney, Agent, or Firm* — Husch Blackwell LLP

(56) **References Cited**
U.S. PATENT DOCUMENTS

| | | |
|------------|---------|----------------|
| D308,209 S | 5/1990 | Laqua et al. |
| D308,385 S | 6/1990 | Russold et al. |
| D319,245 S | 8/1991 | Larson |
| D339,810 S | 9/1993 | Hansen |
| D388,439 S | 12/1997 | Cantley et al. |
| D466,523 S | 12/2002 | Saito |
| D467,254 S | 12/2002 | Ullrich |

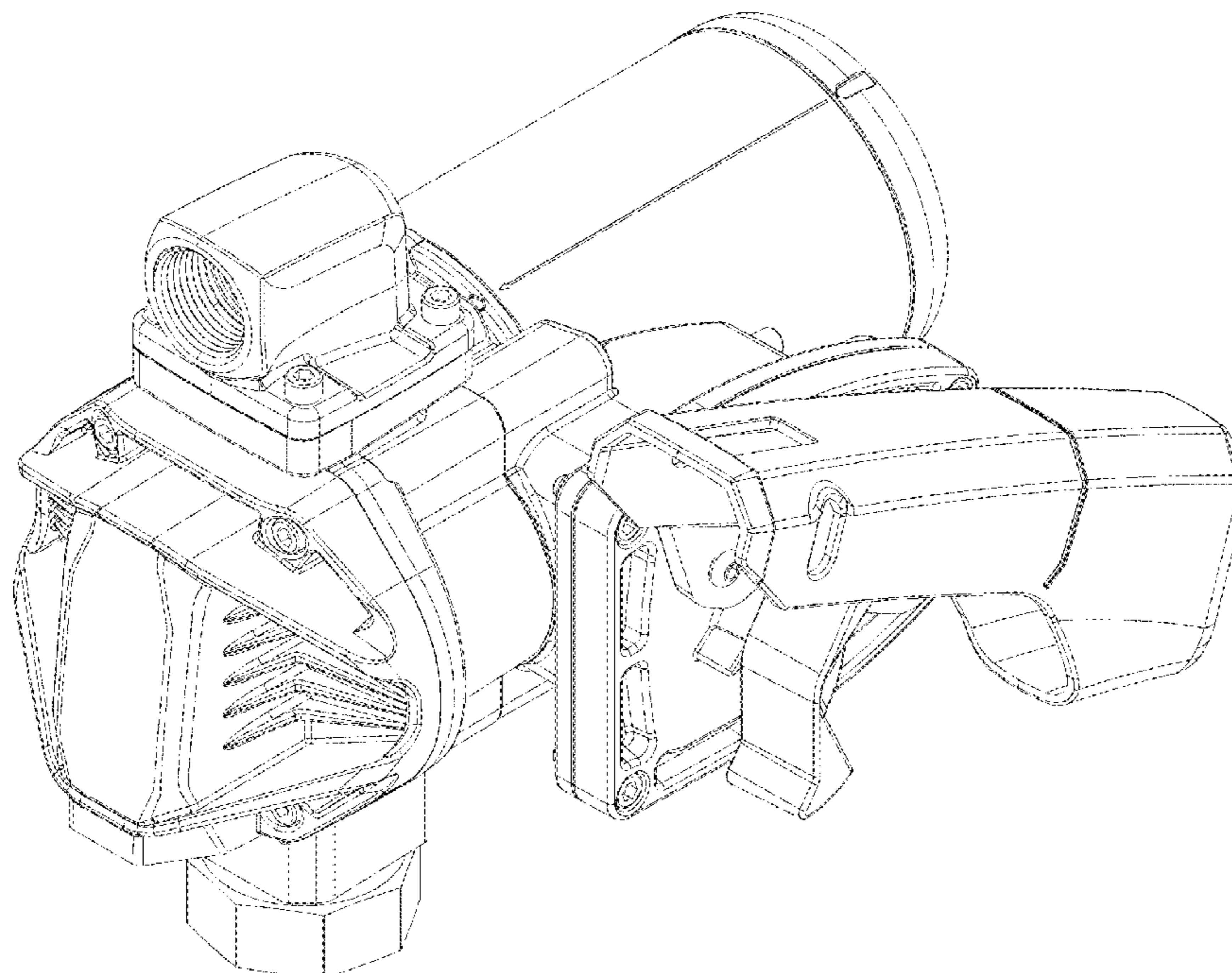
(57) **CLAIM**

The ornamental design for a fuel pump, as shown and described.

DESCRIPTION

FIG. 1 is a perspective view of a fuel pump showing my new design.
 FIG. 2 is a front elevational view of the fuel pump.
 FIG. 3 is a rear elevational view of the fuel pump.
 FIG. 4 is a right side elevational view of the fuel pump.
 FIG. 5 is a left side elevational view of the fuel pump.
 FIG. 6 is a top plan view of the fuel pump; and,
 FIG. 7 is a bottom plan view of the fuel pump.

1 Claim, 7 Drawing Sheets



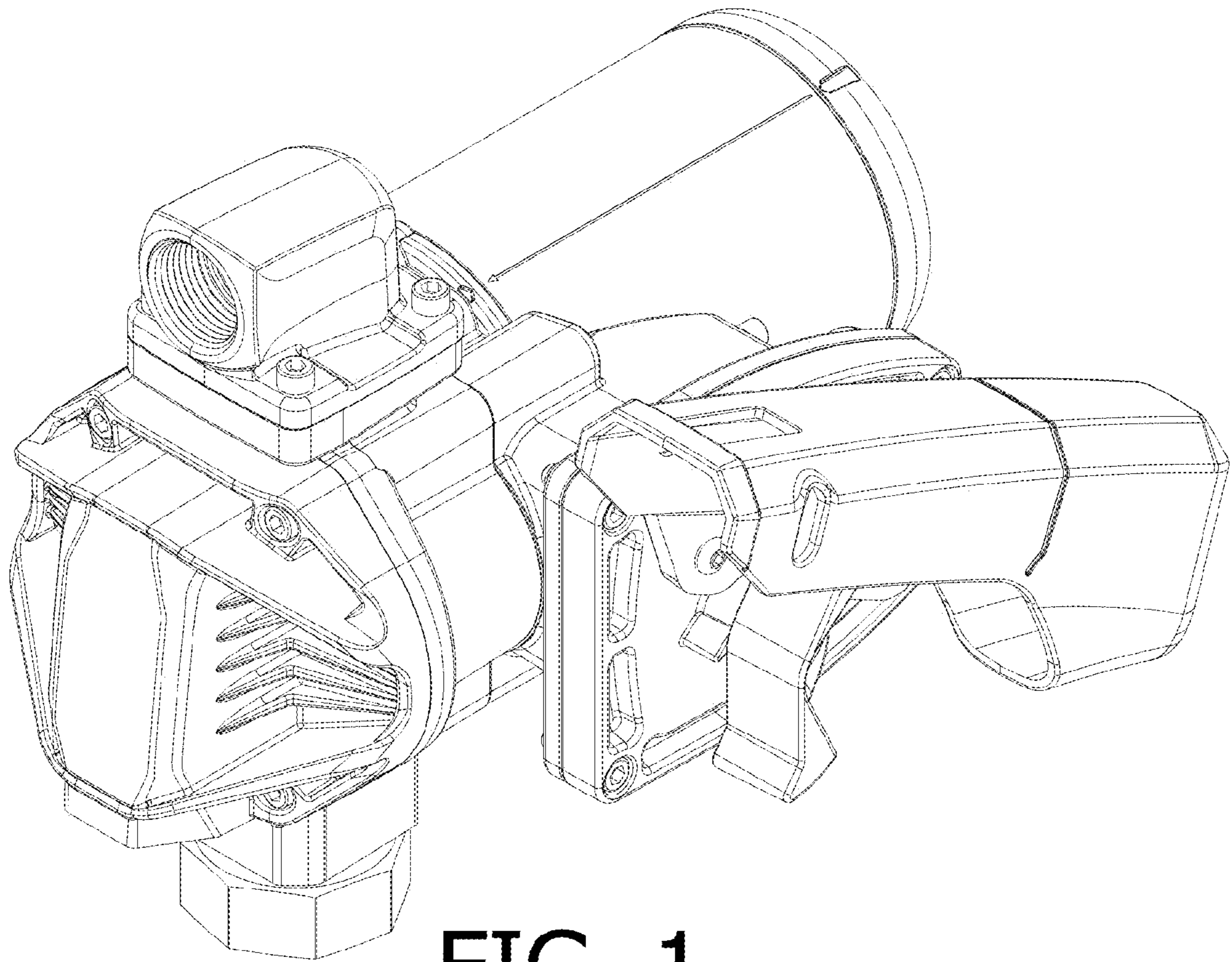


FIG. 1

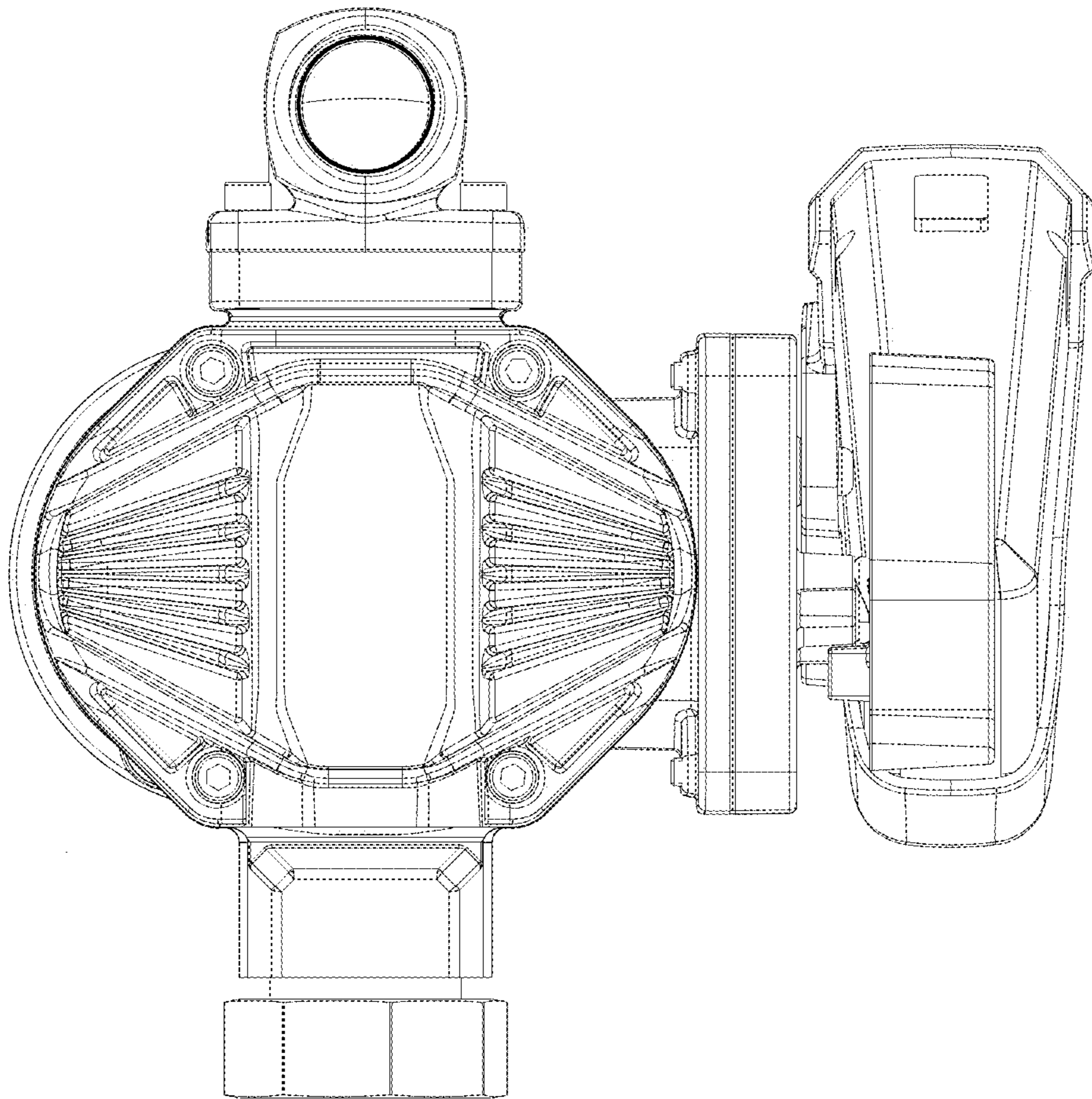


FIG. 2

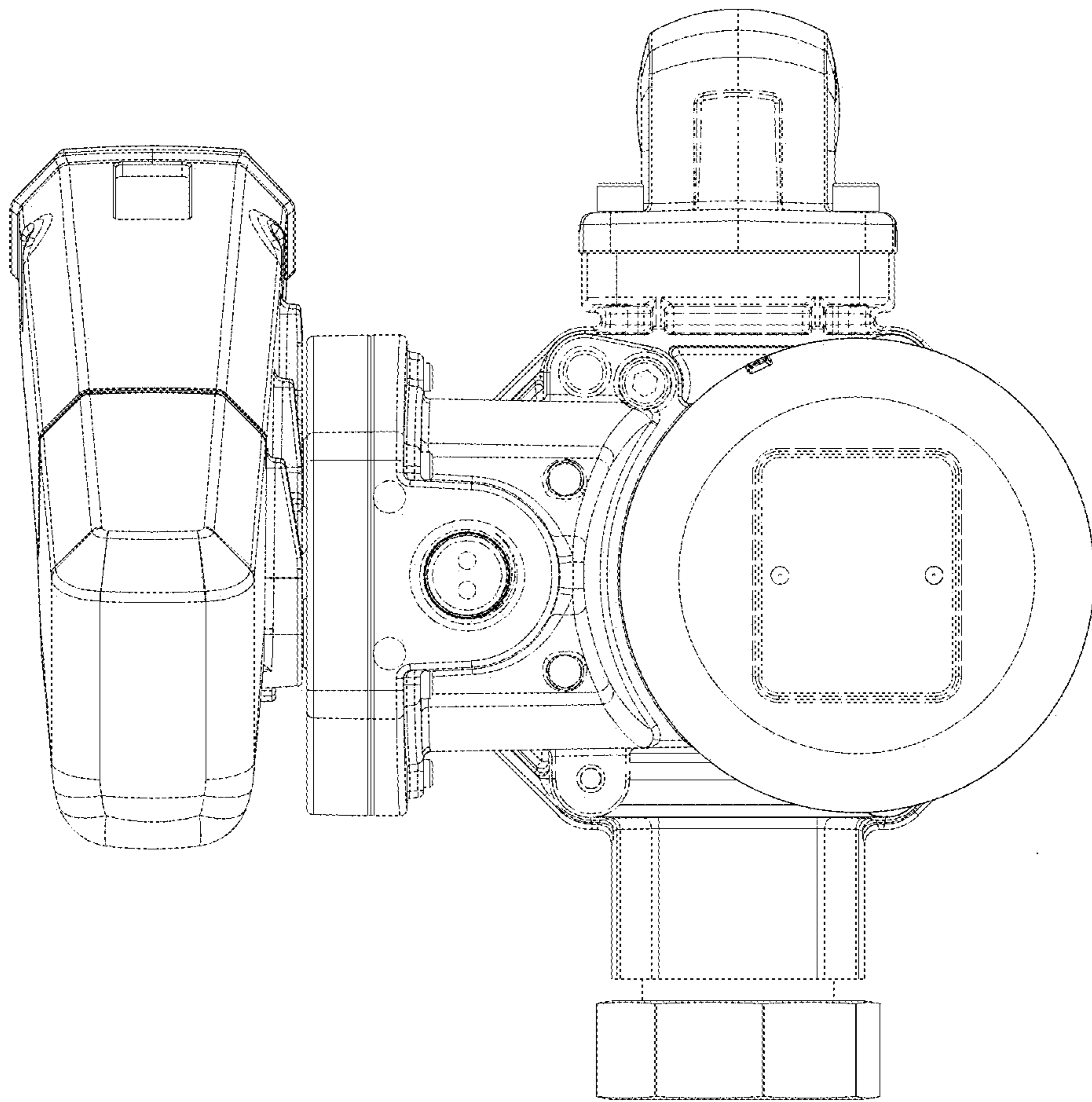


FIG. 3

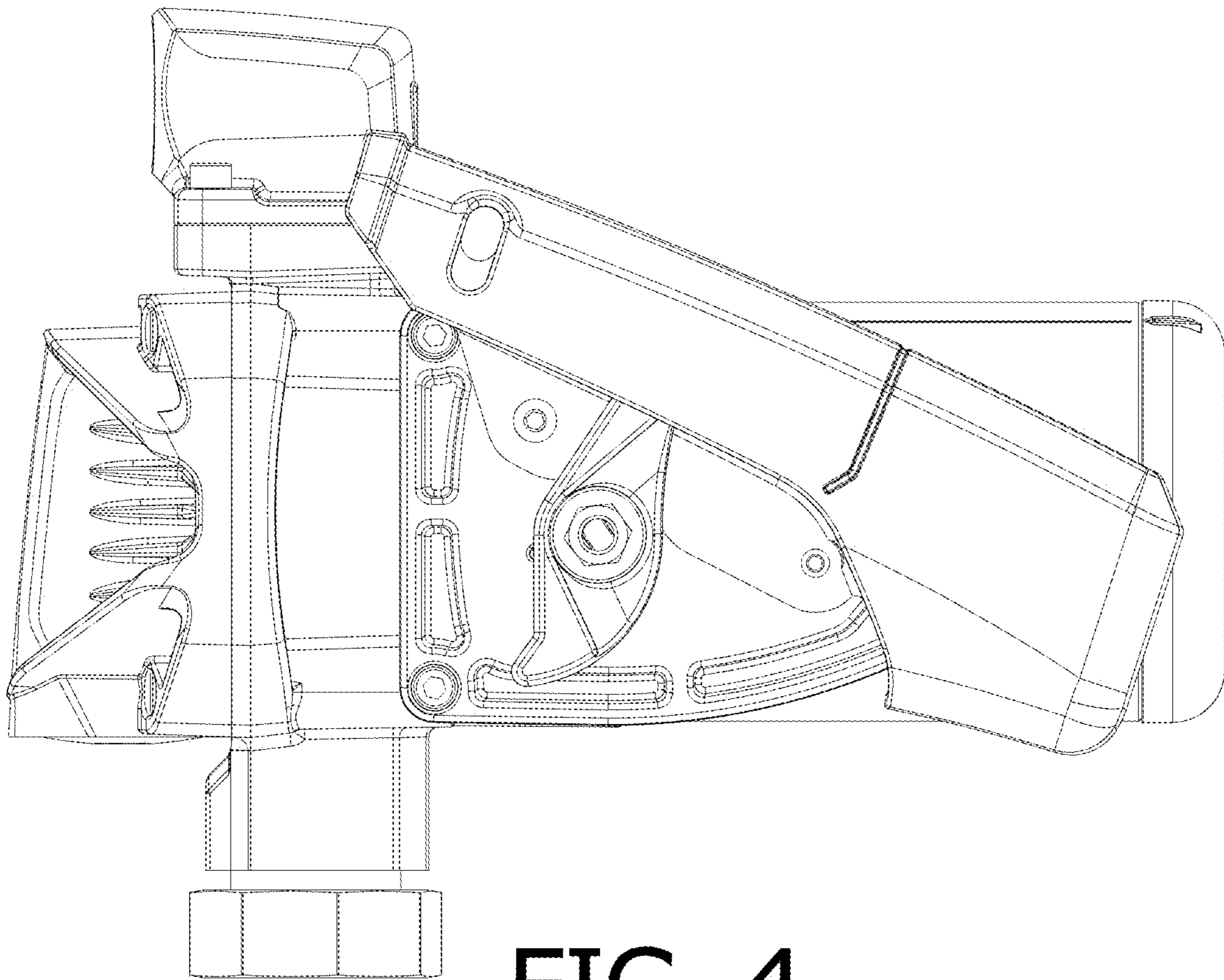


FIG. 4

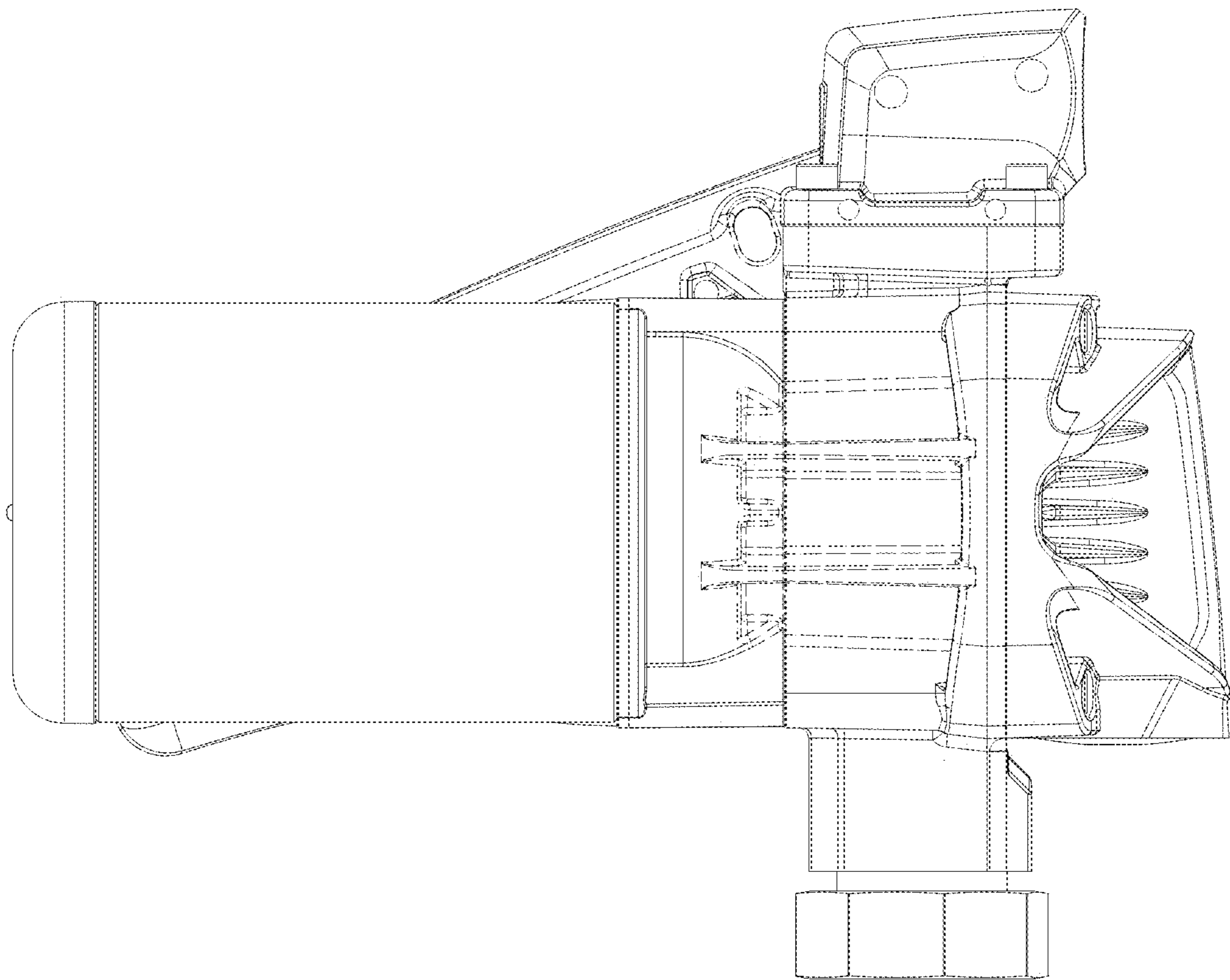


FIG. 5

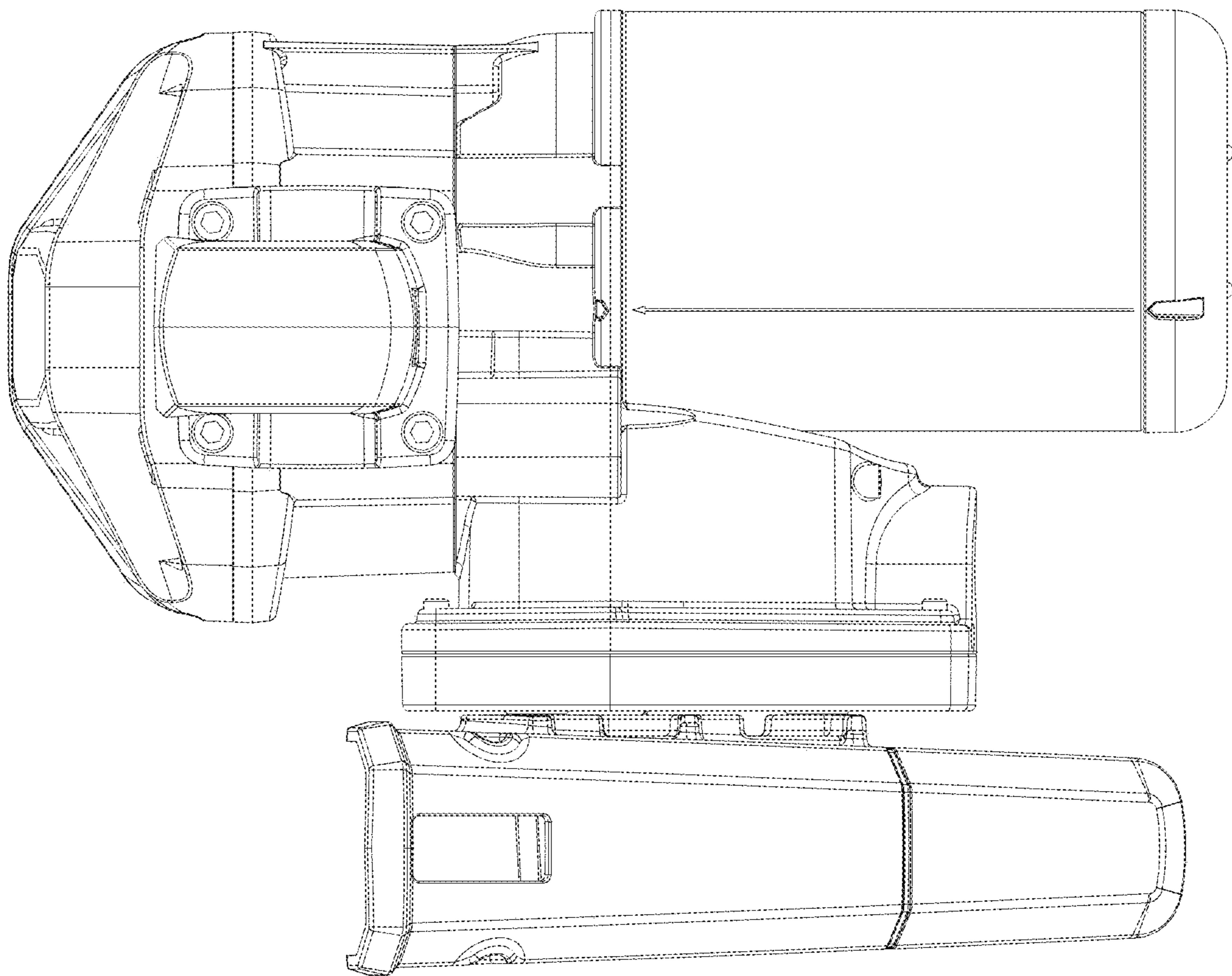


FIG. 6

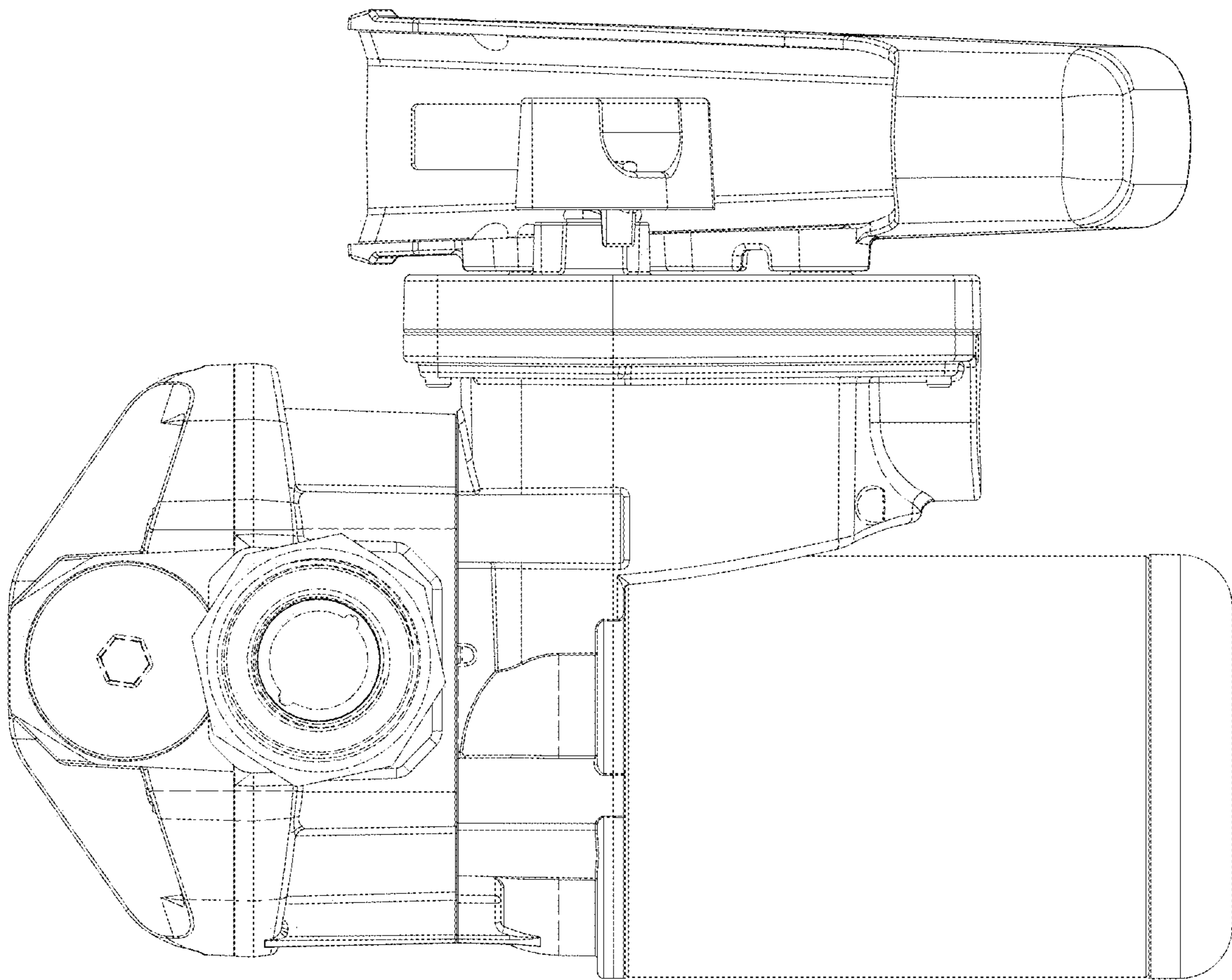


FIG. 7