



US00D877196S

(12) **United States Design Patent**  
**Wu et al.**

(10) **Patent No.:** **US D877,196 S**  
(45) **Date of Patent:** **\*\* Mar. 3, 2020**

(54) **DISPLAY SCREEN WITH A SET OF ICONS**

(71) Applicant: **GEOSAT Aerospace & Technology,**  
Tainan (TW)

(72) Inventors: **Chia-Jan Wu,** Nantou County (TW);  
**Wei-Yu Chen,** Taipei (TW)

(73) Assignee: **GEOSAT Aerospace & Technology,**  
Tainan (TW)

(\*\*) Term: **15 Years**

(21) Appl. No.: **29/632,526**

(22) Filed: **Jan. 8, 2018**

(51) **LOC (12) Cl.** ..... **14-04**

(52) **U.S. Cl.**  
USPC ..... **D14/492**

(58) **Field of Classification Search**  
USPC ..... D14/485-95; D12/319, 434; D21/447  
CPC .... G06F 3/048; G06F 3/0481; G06F 3/04812;  
G06F 3/04817; G06F 3/0482; G06F  
3/0484; G06F 3/0485; G06F 3/0487;  
G06F 3/0488; G06F 3/04883; G06F  
3/04886; G06F 3/0489

See application file for complete search history.

(56) **References Cited**

U.S. PATENT DOCUMENTS

D149,848 S *	6/1948	Struck	.....	D21/447
D158,058 S *	4/1950	Engelke	.....	D12/214
5,090,636 A *	2/1992	Sadowski	.....	B64C 39/10 244/16
D382,851 S *	8/1997	Knutson	.....	D12/319
D425,499 S *	5/2000	Millington	.....	D14/488
D444,512 S *	7/2001	Miralles	.....	B64C 1/30 D21/447
D468,750 S *	1/2003	Lane	.....	D14/492
D543,494 S *	5/2007	Hall	.....	D12/319
D600,702 S *	9/2009	Osborne	.....	D14/492

D615,100 S *	5/2010	Canu-Chiesa	.....	D14/492
D626,490 S *	11/2010	Imel	.....	D12/319
D681,661 S *	5/2013	Koehn	.....	D14/488
D682,314 S *	5/2013	Lau	.....	D14/492
D695,306 S *	12/2013	Gabouer	.....	D14/489
D705,805 S *	5/2014	Schweizer	.....	D14/489
D708,563 S *	7/2014	Colten	.....	D12/319
D708,634 S *	7/2014	Baumann	.....	D14/489
D710,378 S *	8/2014	Lemay	.....	D14/489
D728,617 S *	5/2015	Lee	.....	D14/492
D734,402 S *	7/2015	Reznik	.....	D12/16.1
D743,441 S *	11/2015	Baumann	.....	D14/492
D752,101 S *	3/2016	Mazoyer	.....	D14/490
D752,103 S *	3/2016	Mazoyer	.....	D14/492
D753,673 S *	4/2016	Lin	.....	D14/485
D755,844 S *	5/2016	Yun	.....	D14/492
D756,407 S *	5/2016	Akana	.....	D14/489
D765,729 S *	9/2016	Chung	.....	D14/492

(Continued)

*Primary Examiner* — Melanie H Tung

(74) *Attorney, Agent, or Firm* — Finnegan, Henderson,  
Farabow, Garrett & Dunner LLP

(57) **CLAIM**

The ornamental design for a display screen with a set of icons, as shown and described.

**DESCRIPTION**

FIG. 1 is a front view of a display screen with a set of icons showing the new design;

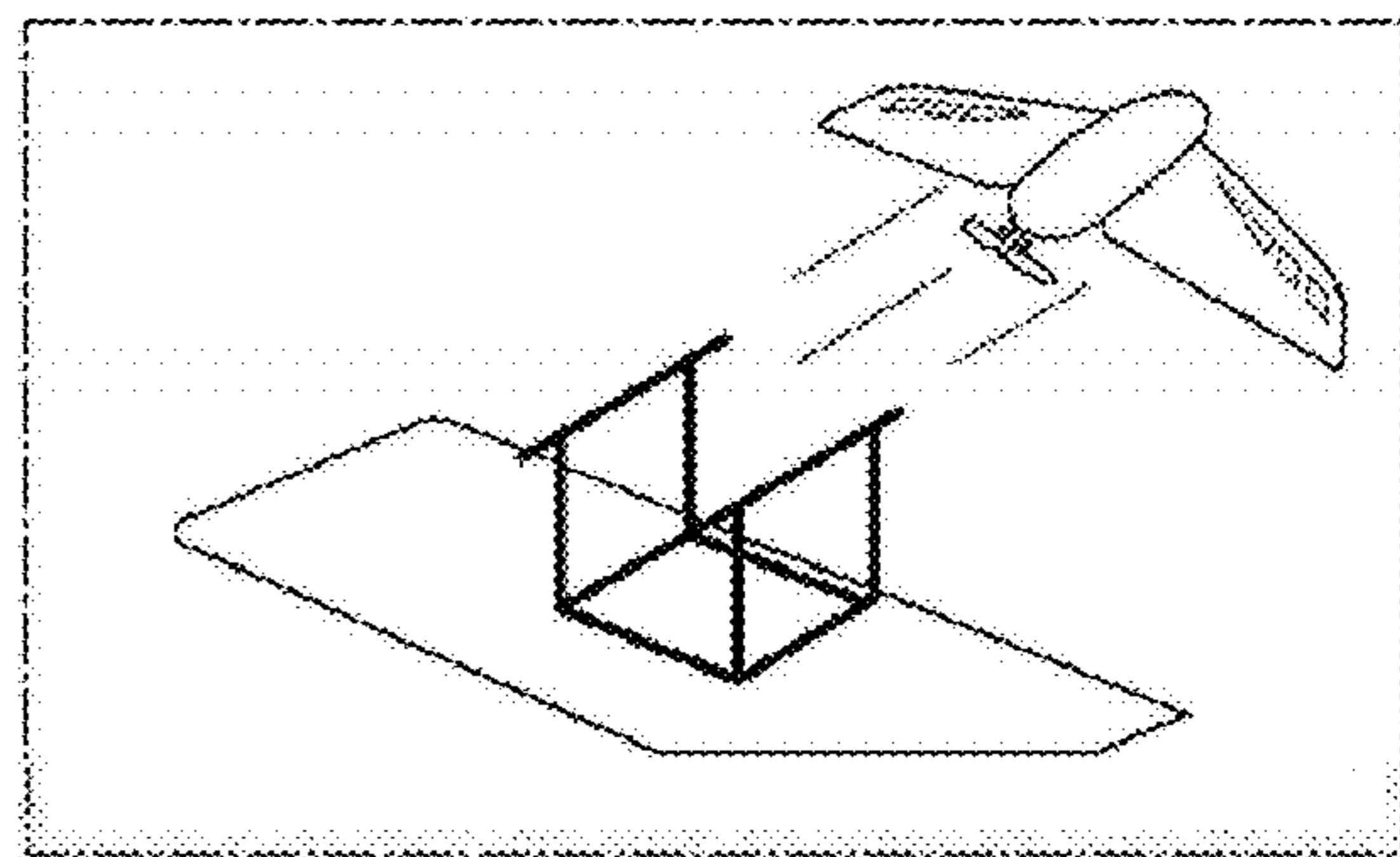
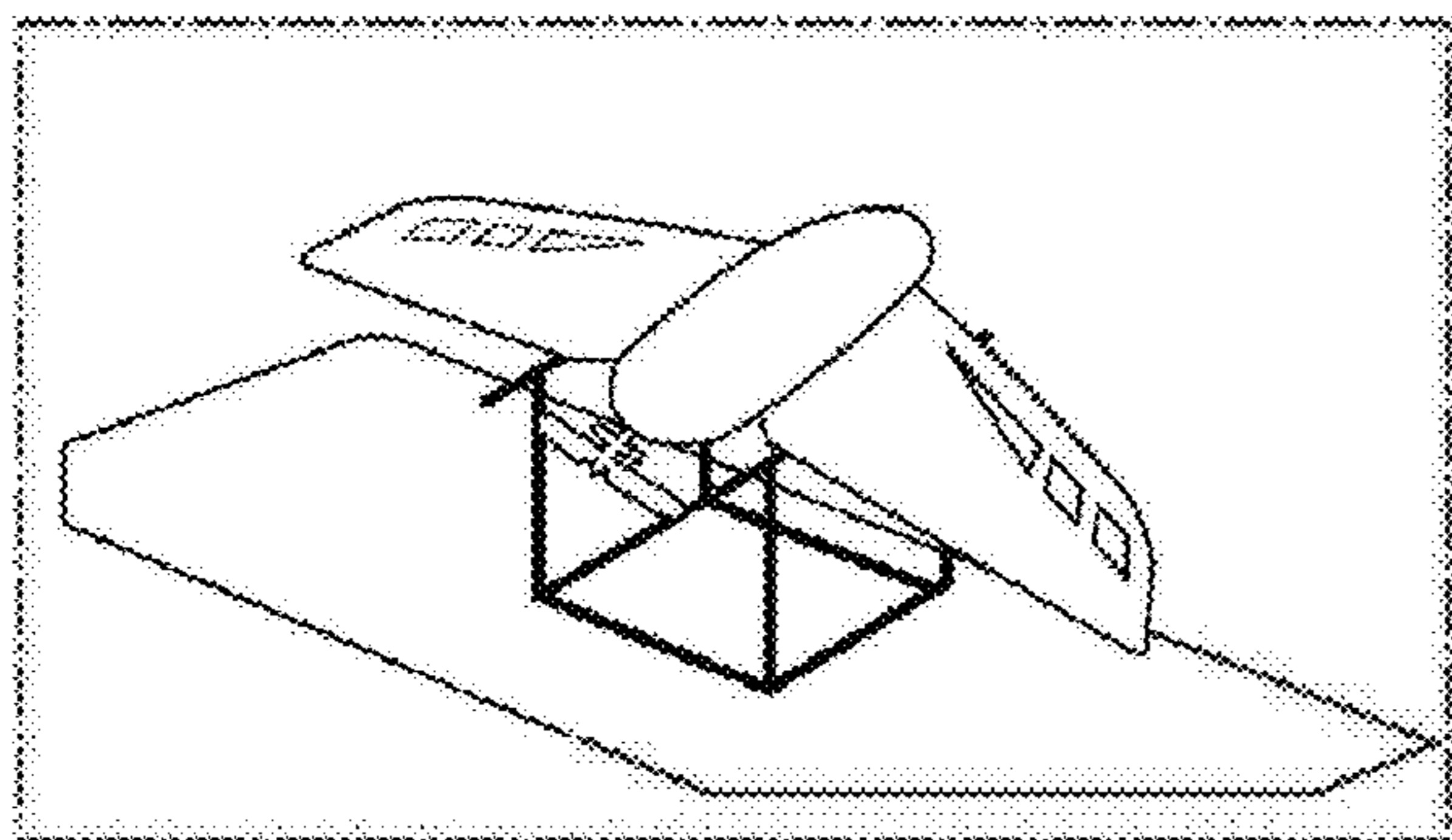
FIG. 2 is a front view thereof, the first icon of the set shown in isolation; and,

FIG. 3 is a front view thereof, the second icon of the set shown in isolation.

The claim is directed to the collective appearance of the set of icons shown in FIG. 1, but no claim is made to the arrangement or order of the set of icons on the display screen.

The broken lines of uneven length show the display screen and form no part of the claimed design.

**1 Claim, 3 Drawing Sheets**



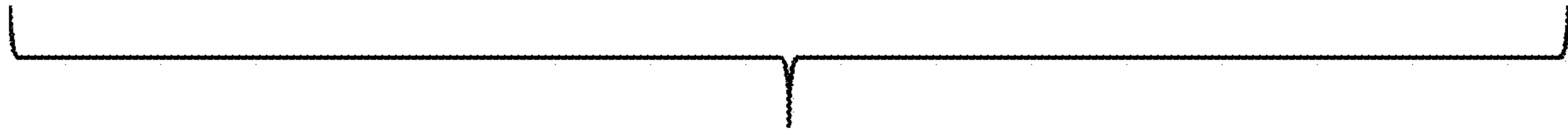
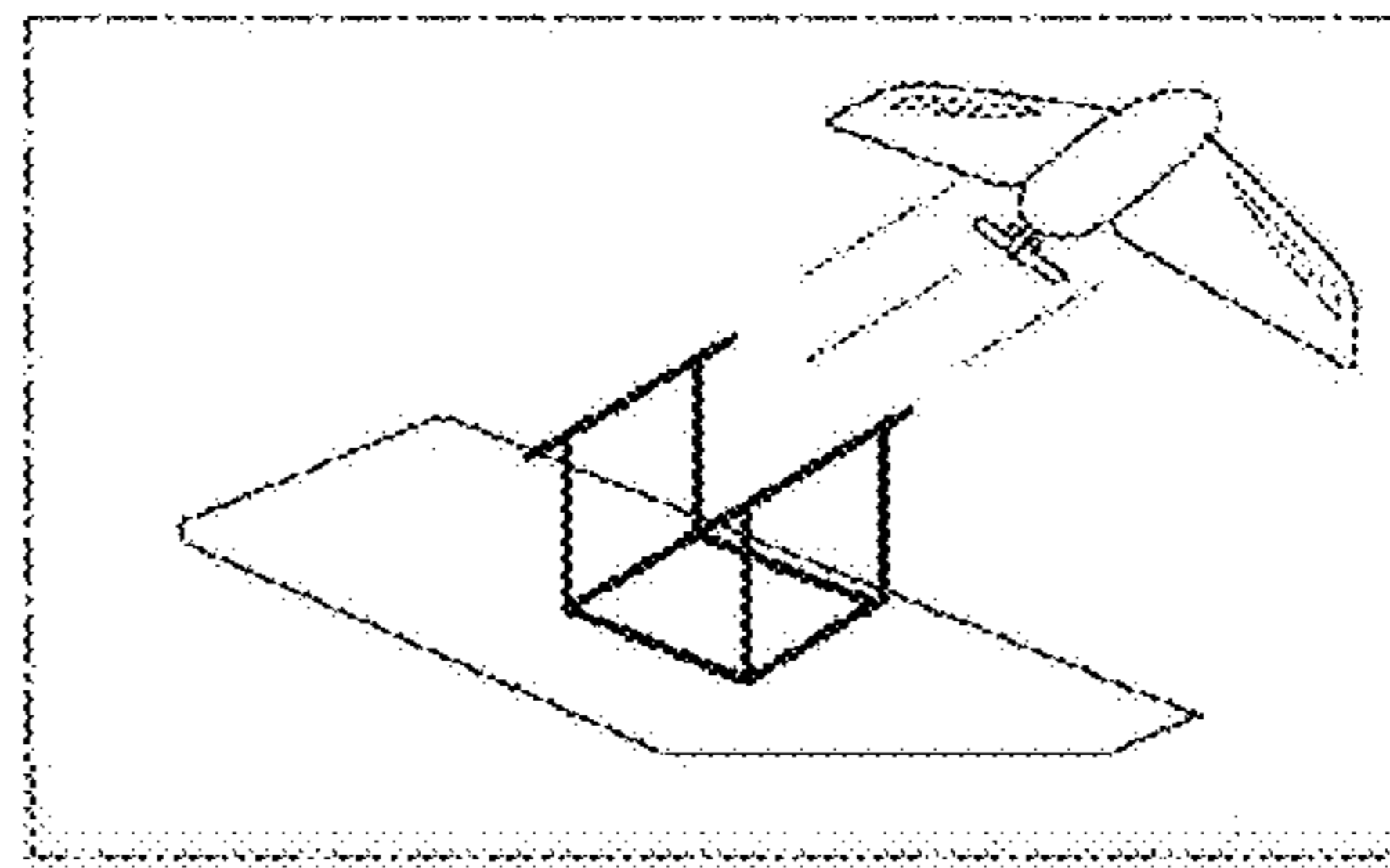
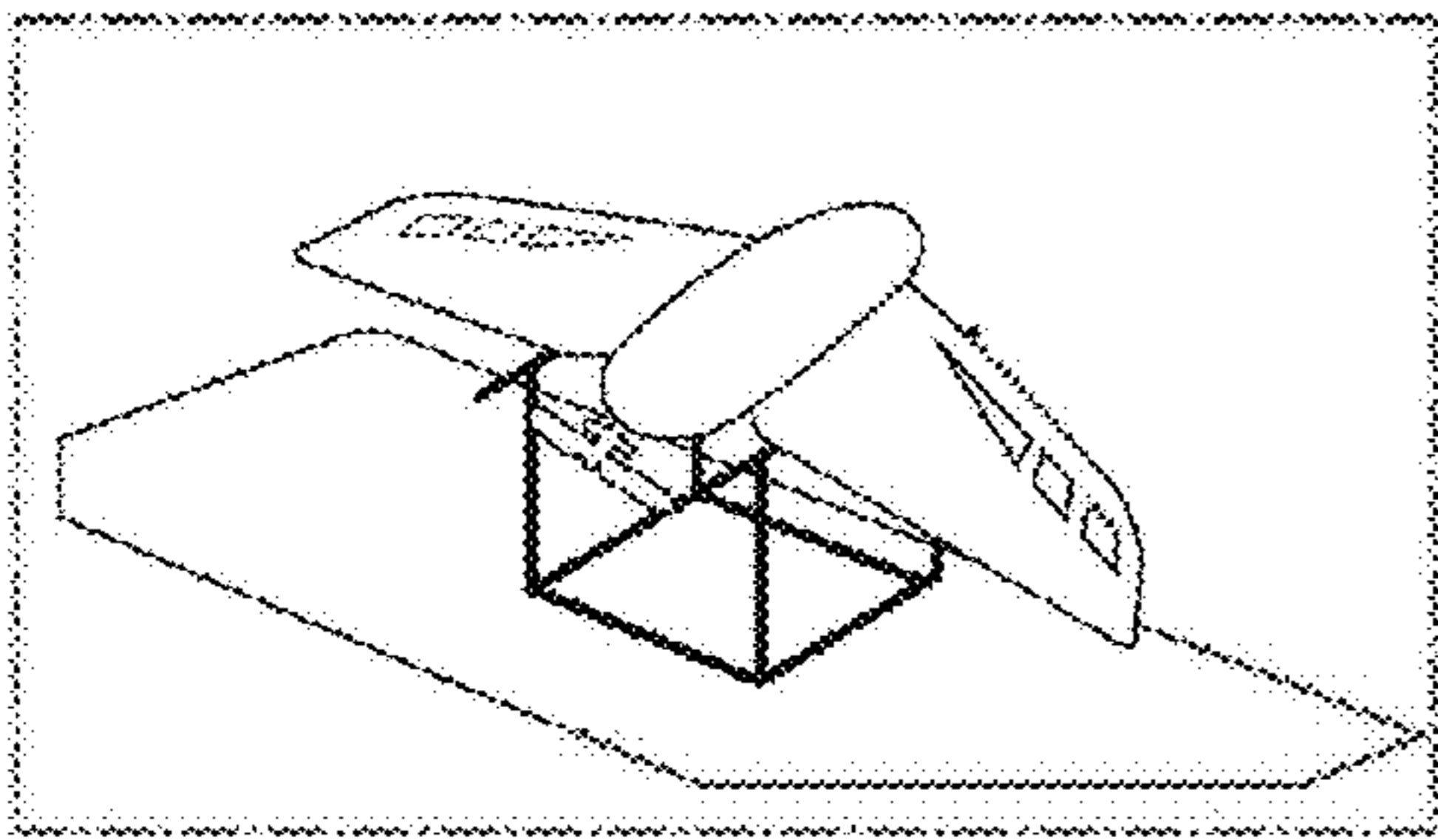
(56)

**References Cited**

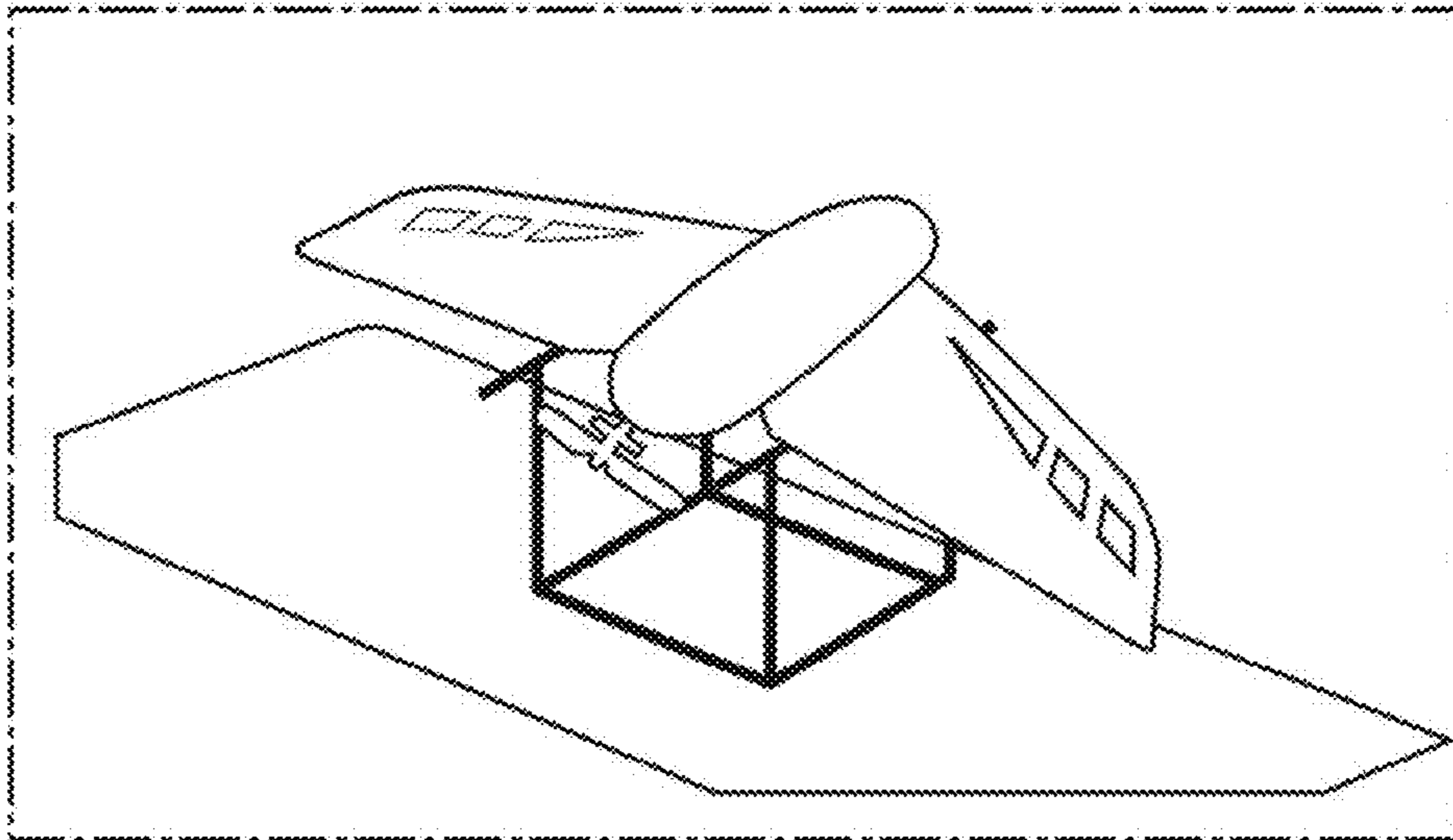
U.S. PATENT DOCUMENTS

D768,202	S	*	10/2016	Malkiewicz	.....	D14/488
D777,210	S	*	1/2017	Liu	.....	D14/486
D782,505	S	*	3/2017	Miao	.....	D14/485
D790,591	S	*	6/2017	Dye	.....	D14/489
D791,183	S	*	7/2017	Mazoyer	.....	D14/492
D797,790	S	*	9/2017	Martin	.....	D14/488
D813,271	S	*	3/2018	Manzoni	.....	D14/492
D822,060	S	*	7/2018	Taylor	.....	D14/492
D826,266	S	*	8/2018	Silva	.....	D14/489
D826,967	S	*	8/2018	Li	.....	D14/486
D830,396	S	*	10/2018	Cunnien	.....	D14/486
D839,916	S	*	2/2019	Taylor	.....	D14/489
D845,993	S	*	4/2019	Taylor	.....	D14/489
D847,183	S	*	4/2019	Chen	.....	D14/486
D847,186	S	*	4/2019	Chen	.....	D14/486
D848,475	S	*	5/2019	Bar-David	.....	D14/489
2014/0033121	A1	*	1/2014	Kuo	.....	G06F 9/451
						715/804
2017/0228129	A1	*	8/2017	Shen	.....	G06F 3/04815

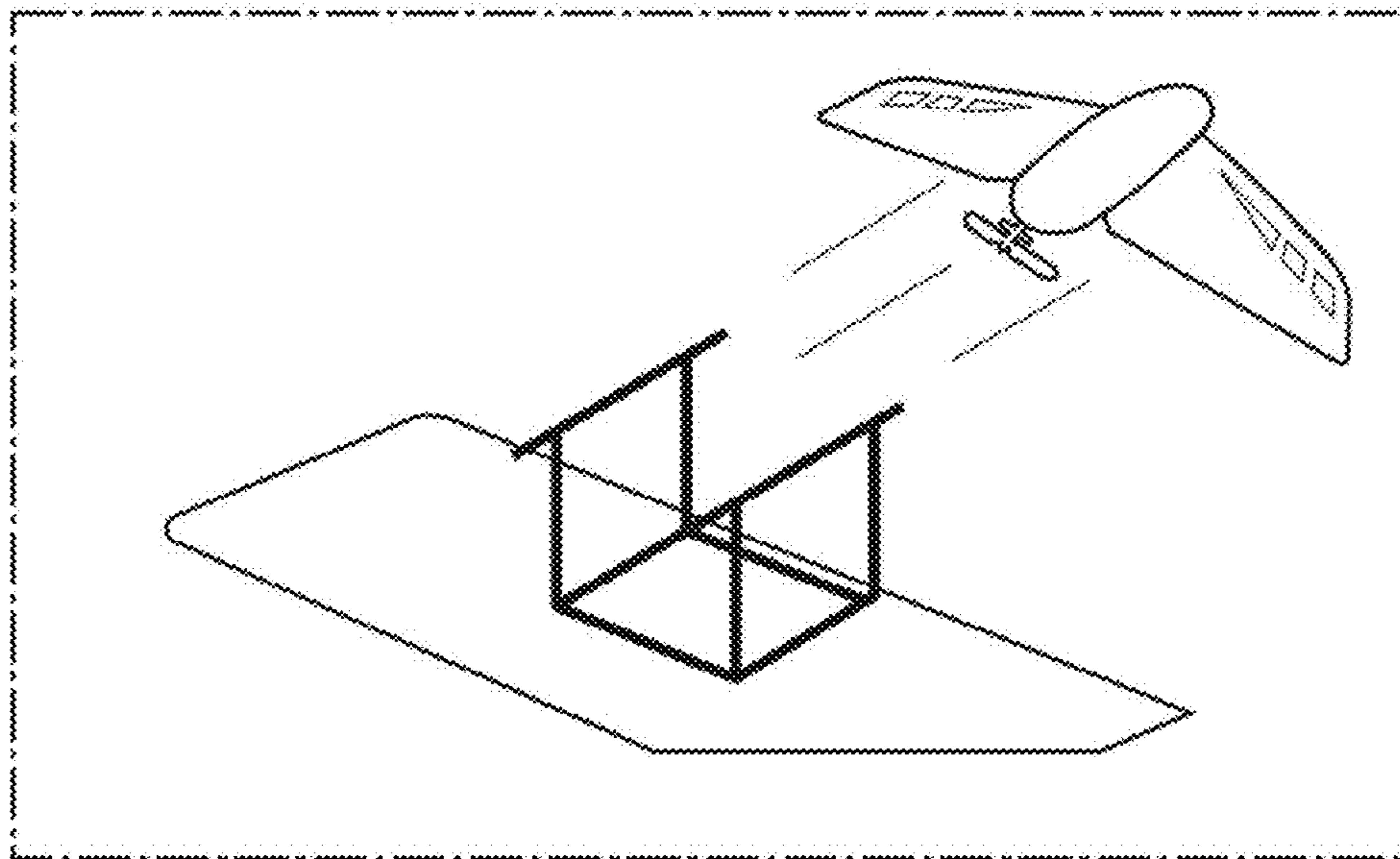
\* cited by examiner



**FIG. 1**



**FIG. 2**



**FIG. 3**