



US00D877160S

(12) **United States Design Patent** (10) **Patent No.:** **US D877,160 S**
Heiner et al. (45) **Date of Patent:** **** Mar. 3, 2020**

(54) **DISPLAY PANEL OR PORTION THEREOF WITH A TRANSITIONAL MIXED REALITY GRAPHICAL USER INTERFACE**

(71) Applicant: **MAGIC LEAP, INC.**, Plantation, FL (US)

(72) Inventors: **Cole Parker Heiner**, Fort Lauderdale, FL (US); **Lorena Pazmino**, Wilton Manors, FL (US); **Gregory Minh Tran**, Miami, FL (US); **Paul Armistead Hoover**, Plantation, FL (US)

(73) Assignee: **Magic Leap, Inc.**, Plantation, FL (US)

(**) Term: **15 Years**

(21) Appl. No.: **29/635,368**

(22) Filed: **Jan. 30, 2018**

(51) **LOC (12) Cl.** **14-04**

(52) **U.S. Cl.**
USPC **D14/485**

(58) **Field of Classification Search**
 USPC D14/485-495; 345/1.1, 1.2, 2.1-2.3, 3.1, 345/902; 715/763, 810, 836, 837, 846, 715/847, 977
 CPC G06F 3/048; G06F 3/0481; G06F 3/04812; G06F 3/04817; G06F 3/0482; G06F 3/0483; G06F 3/0484; G06F 3/04847; G06F 3/0485; G06F 3/04855; G06F 3/04886; G06Q 30/00; H03J 1/00; H03J 1/0008; H03J 1/0016; H03J 1/0025; H04N 5/00; H04N 5/08; H04N 5/14; H04N 5/222; H04N 5/225; H04N 5/232; H04N 5/445; H04N 5/44543; H04N 5/45; H04N 2005/44517; H04N 2005/44521; H04N 2005/44526; H04N 2005/4453; H04N 2005/44534; H04N 2005/44539; H04N 2005/44547; H04N 2005/44556; H04N 2005/4456; H04N 2005/44565; H04N 2005/44569; H04N 2005/44573; H04N

(Continued)

(56) **References Cited**

U.S. PATENT DOCUMENTS

D563,972 S * 3/2008 Sherry D14/487
 D625,734 S * 10/2010 Kurozumi D14/488

(Continued)

Primary Examiner — Cathron C Brooks

Assistant Examiner — Christian P. McLean

(74) *Attorney, Agent, or Firm* — Vista IP Law Group LLP

(57) **CLAIM**

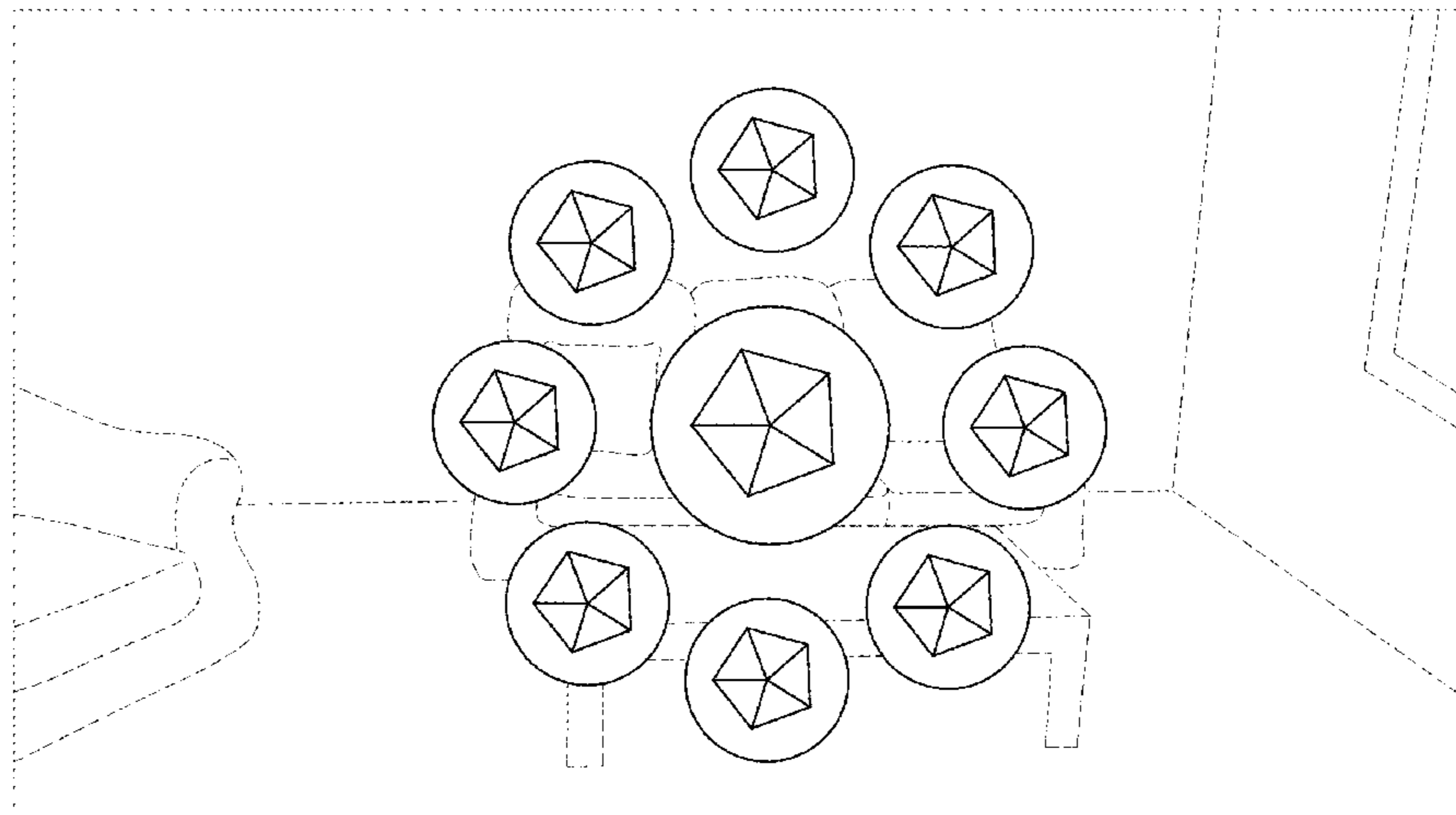
The ornamental design for a display panel or portion thereof with a transitional mixed reality graphical user interface, as shown and described.

DESCRIPTION

FIG. 1 is a front view of a first image in a sequence of a display panel or portion thereof with a transitional mixed reality graphical user interface showing our new design; FIG. 2 is a front view of a second image thereof; FIG. 3 is a front view of a third image thereof; FIG. 4 is a front view of a fourth image thereof; FIG. 5 is a front view of a fifth image thereof; FIG. 6 is a front view of a sixth image thereof; FIG. 7 is a front view of a seventh image thereof; and, FIG. 8 is a front view of an eighth image thereof.

The subject matter of the present disclosure includes a process or period during which one image changes into another. In particular, the appearance of the image sequentially transitions between the images shown in FIGS. 1 through 8. This process or period in which one image transitions into another forms no part of the claimed design. The outermost broken line rectangle illustrates a display panel or portion thereof that forms no part of the claimed design. The remaining broken lines illustrate portions of the graphical user interface or a mixed reality environment, and form no part of the claimed design.

1 Claim, 8 Drawing Sheets



(58) **Field of Classification Search**
 CPC 21/00; H04N 21/234; H04N 21/431; H04N
 21/4312; H04N 21/4314; H04N 21/4316
 See application file for complete search history.

(56) **References Cited**

U.S. PATENT DOCUMENTS

D635,987	S	*	4/2011	Mays	D14/487
D682,305	S	*	5/2013	Mierau	D14/488
D693,837	S	*	11/2013	Bouchier	D14/486
D696,266	S	*	12/2013	d'Amore	D14/485
D697,525	S	*	1/2014	Nishizawa	D14/487
8,719,729	B2	*	5/2014	Smith	G06F 3/0488 715/789
D749,118	S	*	2/2016	Wang	D14/487
D749,606	S	*	2/2016	Wang	D14/486
D753,690	S	*	4/2016	Vazquez	D14/486
D757,084	S	*	5/2016	Chaudhri	D14/486
D761,301	S	*	7/2016	Kim	D14/488
D765,098	S	*	8/2016	Chaudhri	D14/485
D800,764	S	*	10/2017	Thoreson	D14/488
D808,420	S	*	1/2018	Anzures	D14/488
D824,943	S	*	8/2018	Sella	D14/486
D826,978	S	*	8/2018	Vinna	D14/488
D827,667	S	*	9/2018	Piroddi	D14/489
D841,035	S	*	2/2019	Kim	D14/486
D845,314	S	*	4/2019	Ebli	D14/485
D846,592	S	*	4/2019	Katopis	D14/488
D847,148	S	*	4/2019	Loi	D14/485

D848,446	S	*	5/2019	Kim	D14/485
D848,465	S	*	5/2019	Smith	D14/486
D854,554	S	*	7/2019	Toth	D14/485
D855,642	S	*	8/2019	Im	D14/486
D856,361	S	*	8/2019	Sella	D14/486
D859,457	S	*	9/2019	Varghese	D14/487
D860,247	S	*	9/2019	Brooks	D14/488
2004/0221243	A1	*	11/2004	Twerdahl	G06F 3/016 715/834
2005/0039140	A1	*	2/2005	Chen	G06F 3/0482 715/810
2010/0083180	A1	*	4/2010	Matsubara	G06F 3/0481 715/834
2012/0124520	A1	*	5/2012	Samp	G06F 3/04886 715/834
2013/0086522	A1	*	4/2013	Shimazu	G06F 3/0488 715/810
2013/0096819	A1	*	4/2013	Tamok	G01C 21/00 701/428
2014/0325395	A1	*	10/2014	Itakura	H04M 3/56 715/753
2016/0062598	A1	*	3/2016	Kocienda	G06F 3/04817 715/765
2016/0349942	A1	*	12/2016	Ericsson	G06F 3/04817
2019/0095053	A1	*	3/2019	De Wever	G06F 3/0482
2019/0130041	A1	*	5/2019	McKee	G06F 3/0482
2019/0163319	A1	*	5/2019	Anzures	H04L 51/10
2019/0173814	A1	*	6/2019	McNeill	G06F 3/04817
2019/0196673	A1	*	6/2019	Bashev	G06F 3/0481

* cited by examiner

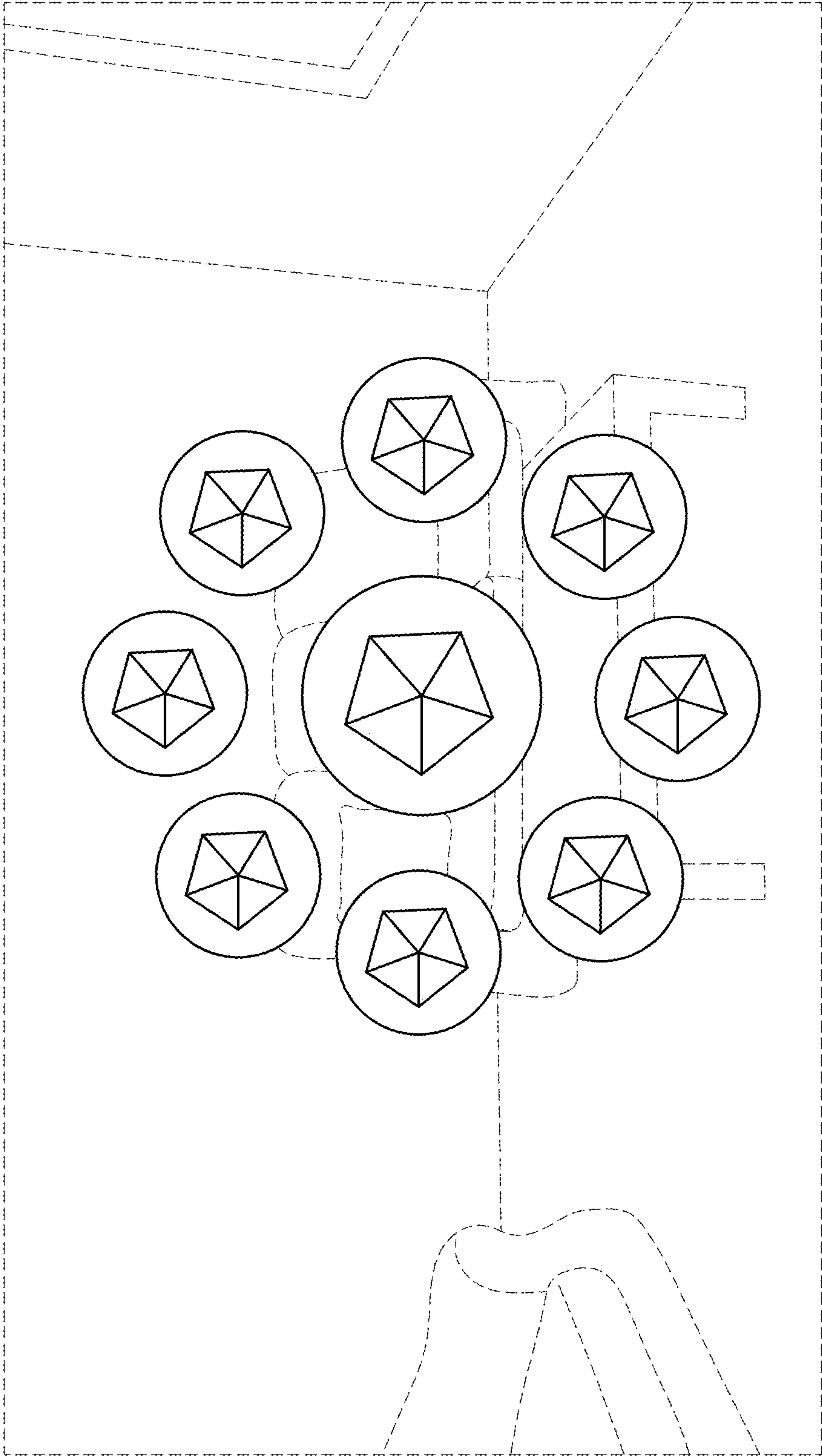


FIG. 1

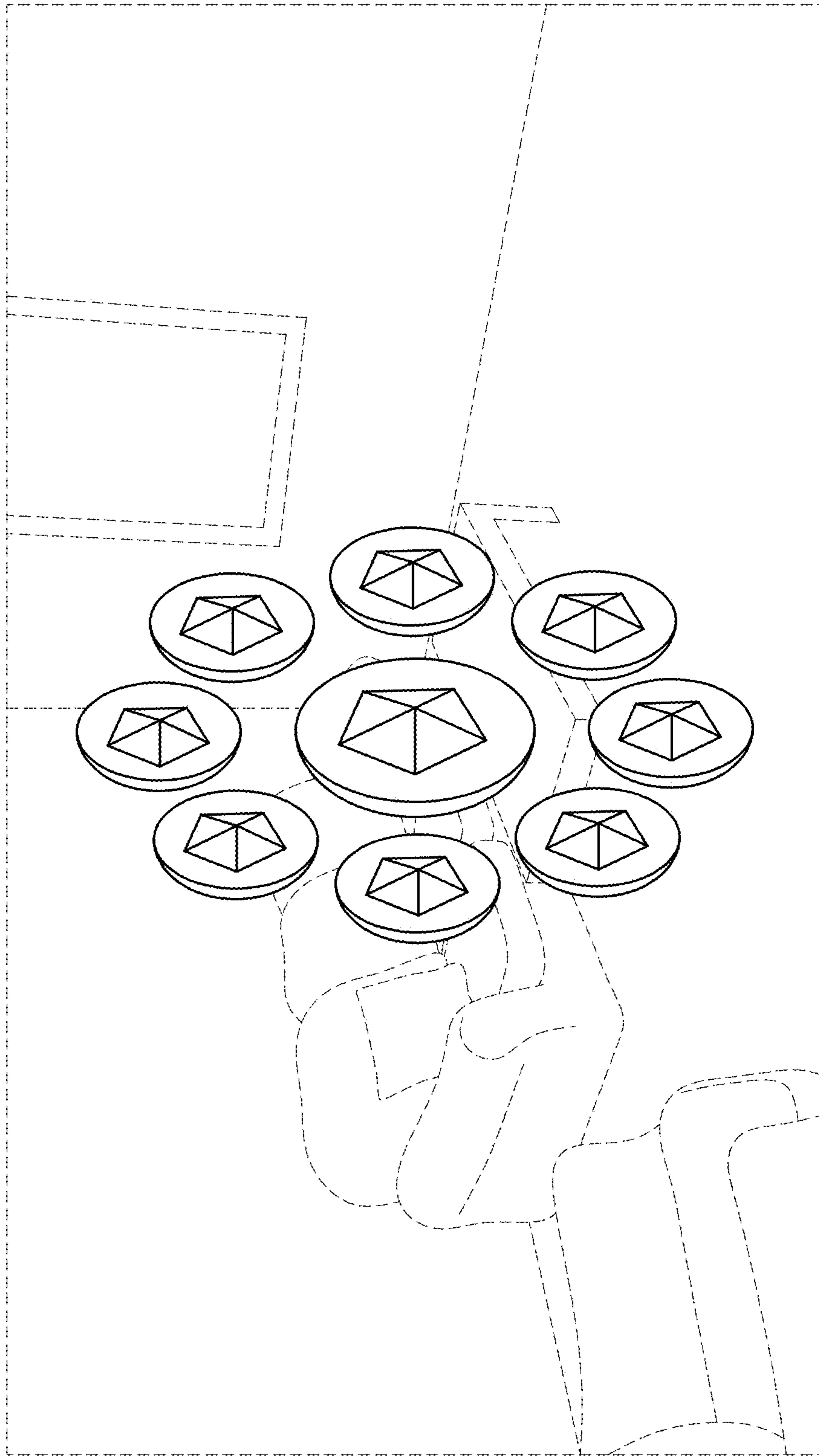


FIG. 2

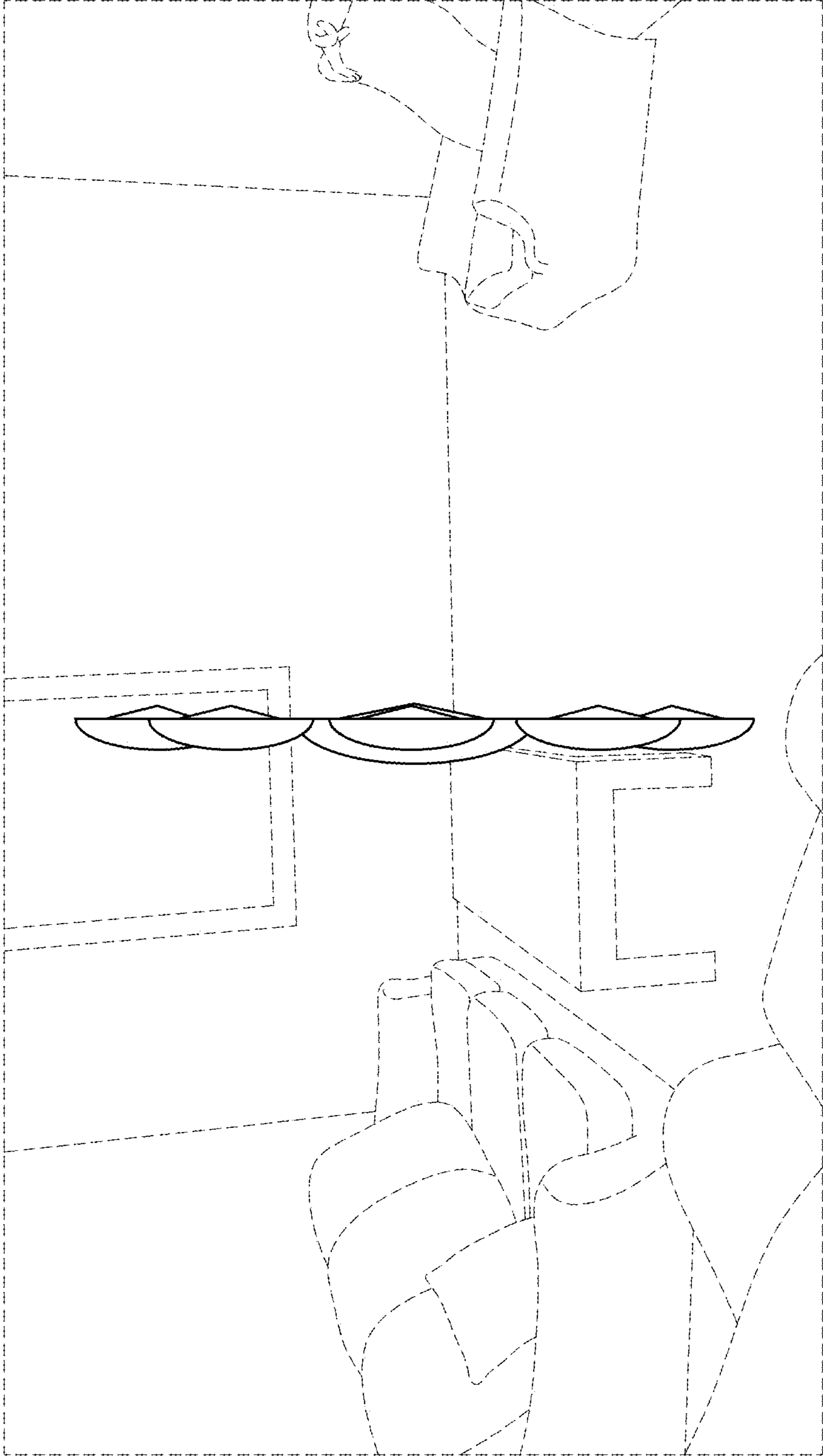


FIG. 3

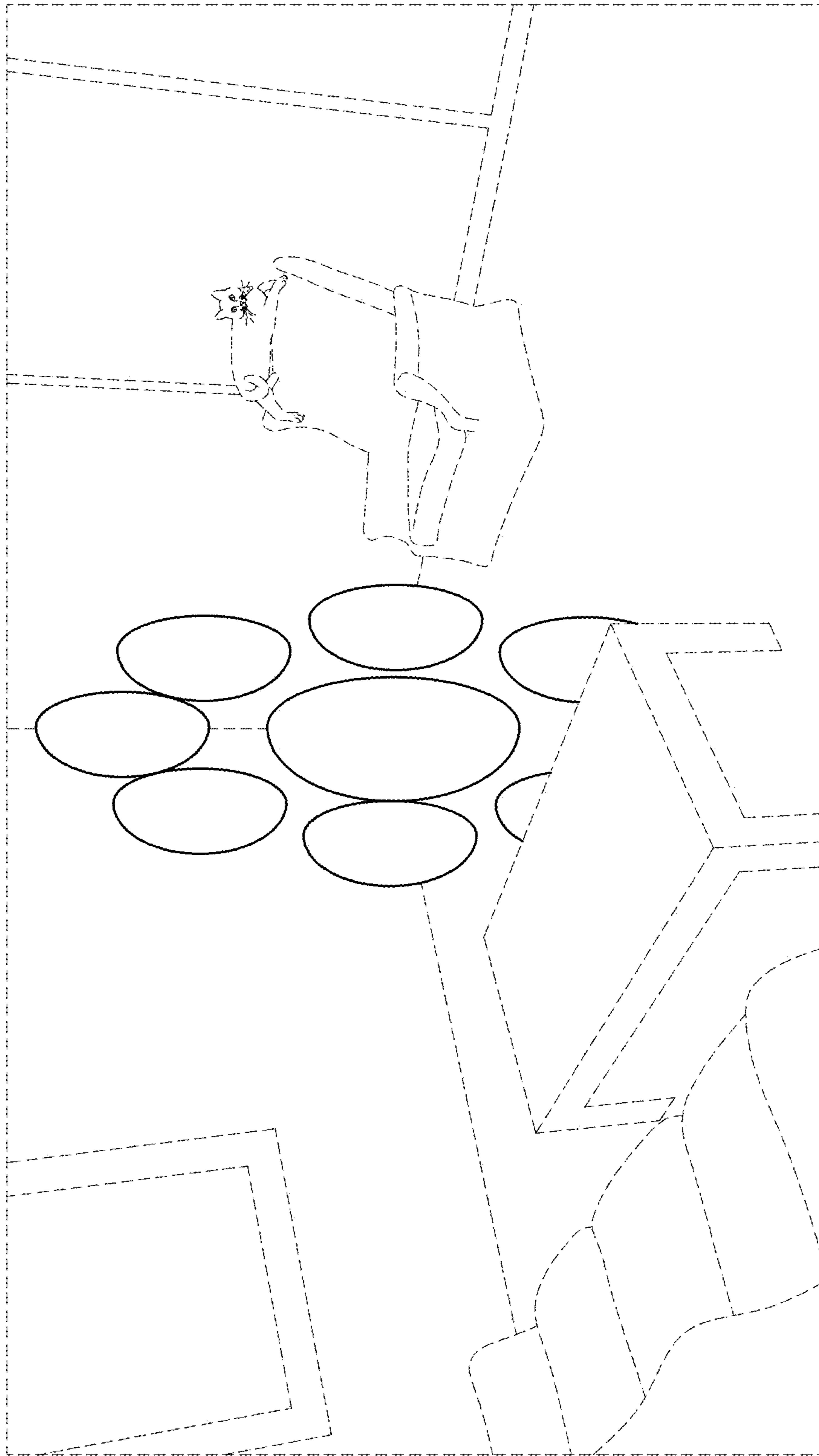


FIG. 4

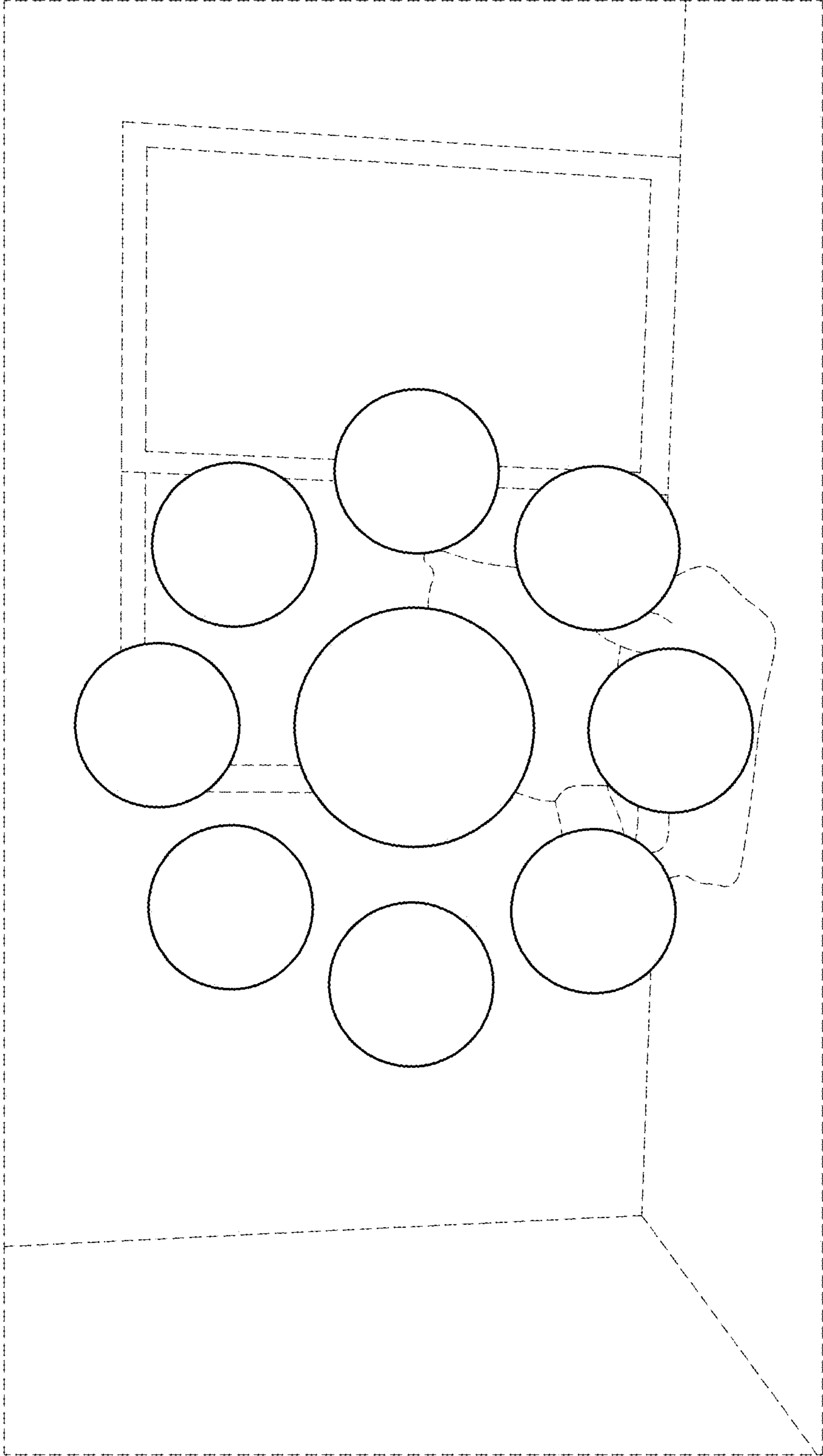


FIG. 5

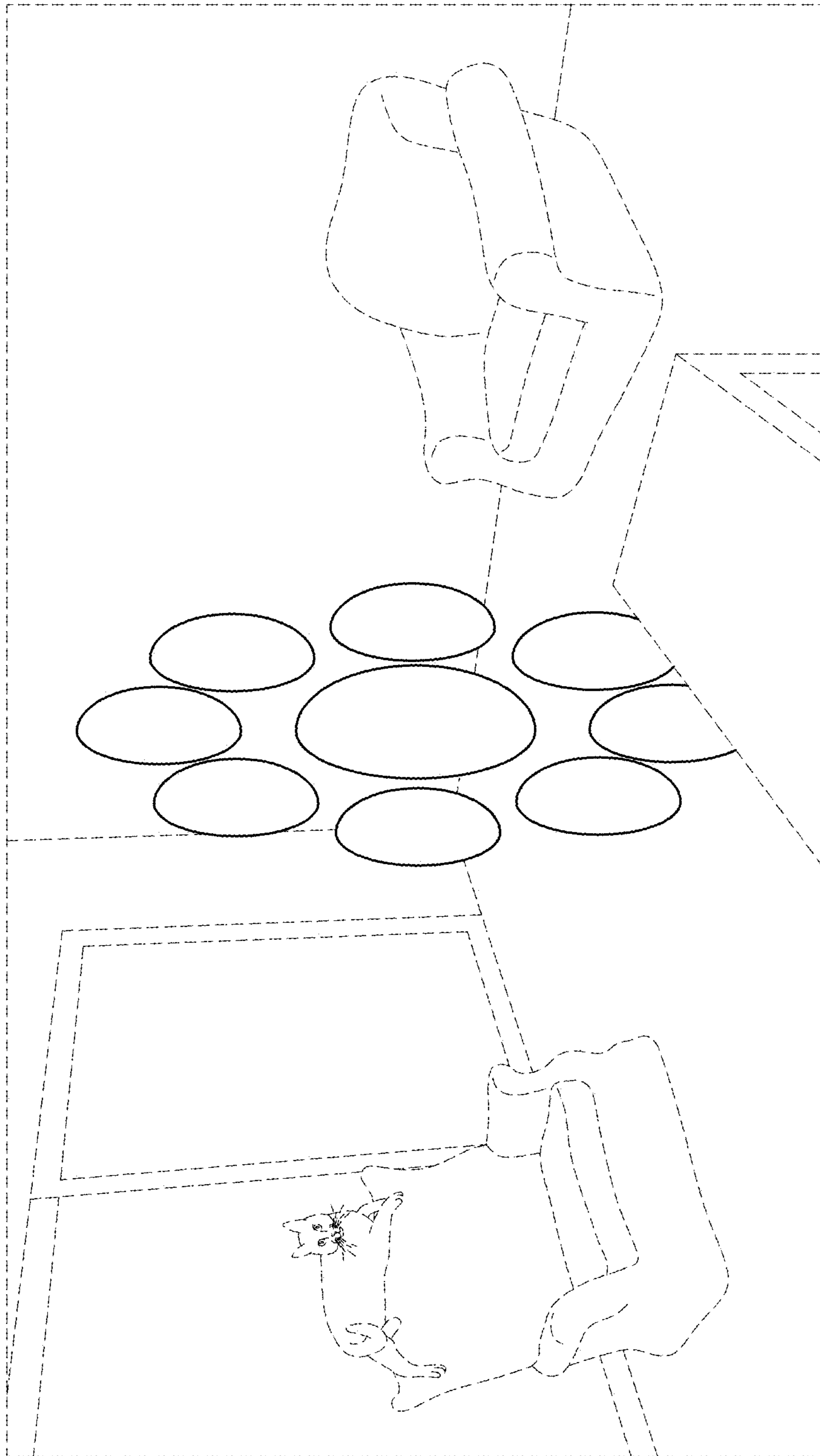


FIG. 6

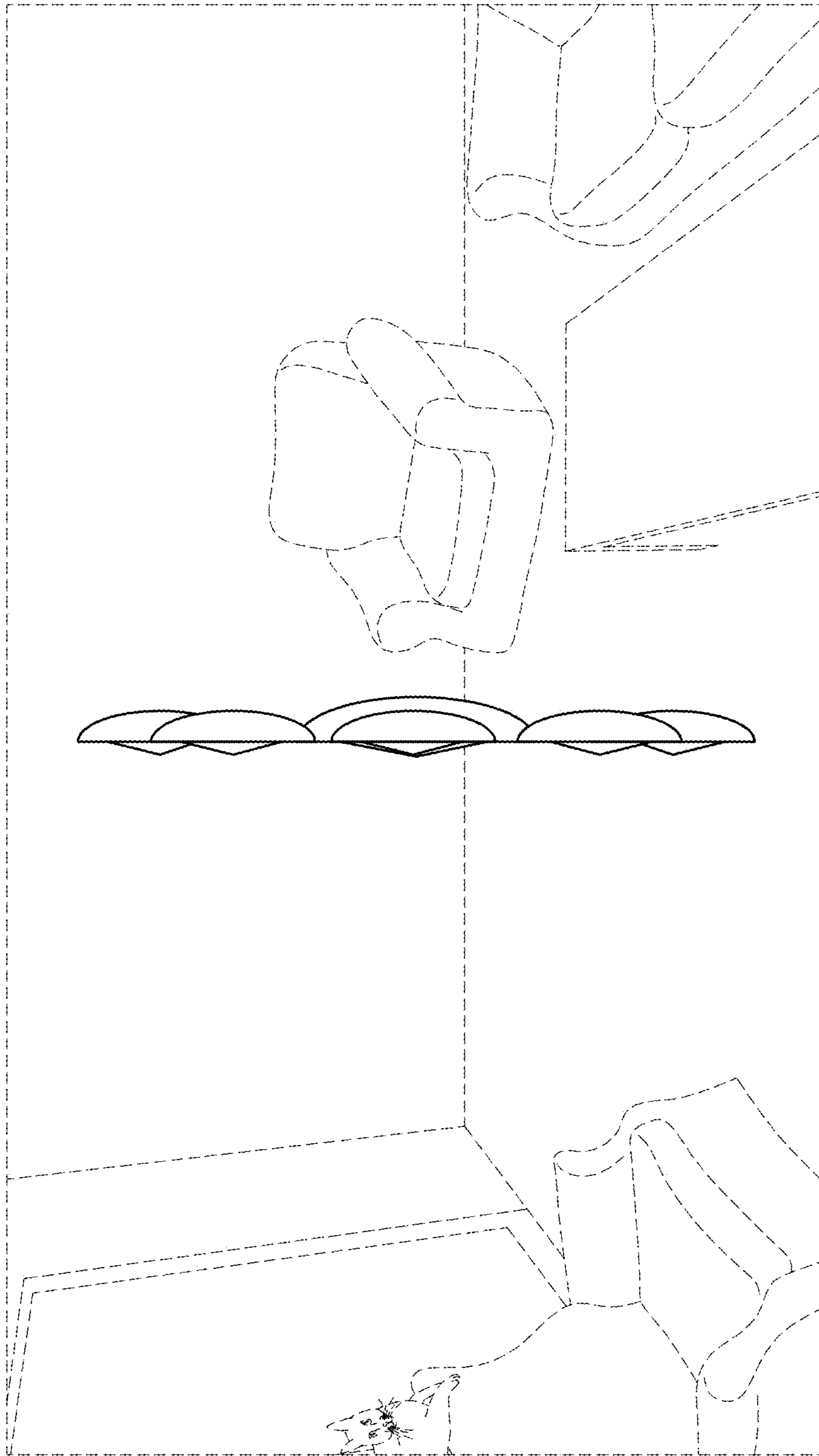


FIG. 7

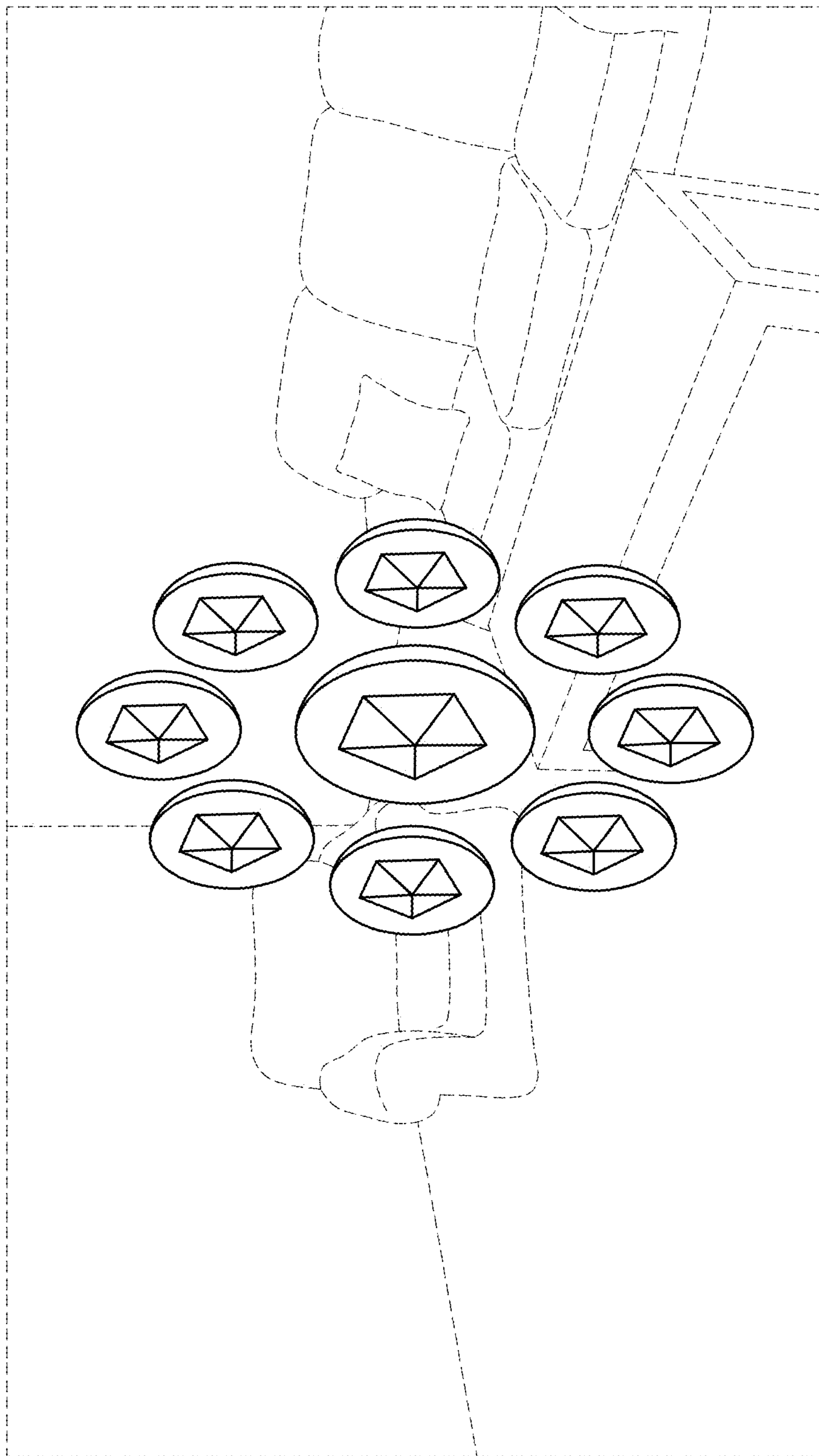


FIG. 8