



US00D877155S

(12) **United States Design Patent**
Law et al.

(10) **Patent No.:** **US D877,155 S**
(45) **Date of Patent:** **** Mar. 3, 2020**

- (54) **FOLDABLE MONITOR HOOD**
- (71) Applicant: **Dell Products L.P.**, Round Rock, TX (US)
- (72) Inventors: **Celia Law**, Singapore (SG); **Chun Long Goh**, Singapore (SG); **Alvin Sitoh**, Singapore (SG)
- (73) Assignee: **Dell Products L.P.**, Round Rock, TX (US)
- (**) Term: **15 Years**
- (21) Appl. No.: **29/670,157**
- (22) Filed: **Nov. 14, 2018**
- (51) **LOC (12) Cl.** **14-02**
- (52) **U.S. Cl.**
USPC **D14/449**
- (58) **Field of Classification Search**
USPC D14/449, 371, 458, 450; 359/601, 609, 359/312, 608; 348/842, 834; D6/396, D6/449, 451, 480; 248/442.2; D99/43; 361/681
CPC F16M 13/02; F16M 13/00; F16M 11/10; F16M 11/04; F16M 2200/08; F16M 11/2021; A47B 21/0314; A47B 88/044; A47B 2021/0335; H02G 3/126; F16B 47/00; F16B 47/006; A47G 1/17; A47K 2201/00
See application file for complete search history.

- 5,121,253 A * 6/1992 Waitroob H04N 5/65 348/834
- 5,233,468 A * 8/1993 McNulty H04N 5/65 348/842
- 5,243,463 A * 9/1993 Waitroob H04N 5/65 348/E5.131
- D385,543 S * 10/1997 Phirippidis D14/239
- 5,905,546 A * 5/1999 Giulie G06F 1/1603 348/842
- D411,753 S * 6/1999 Jobin D14/449
- 5,997,145 A * 12/1999 Mora G02B 5/00 348/842
- D586,350 S * 2/2009 Matsui D14/449
- 7,611,252 B1 * 11/2009 Lin G06F 1/1603 359/601
- D611,473 S * 3/2010 Lee D14/371
- 2010/0026916 A1 2/2010 Lin

* cited by examiner

Primary Examiner — Katie Jane Stofko
(74) *Attorney, Agent, or Firm* — Zagorin Cave LLP; Robert W. Holland

(57) **CLAIM**

We claim the ornamental design for a foldable monitor hood, as shown and described.

DESCRIPTION

FIG. 1 is a front perspective view of a foldable monitor hood comprising the present invention;
FIG. 2 is a front elevation view thereof;
FIG. 3 is a rear elevation view thereof;
FIG. 4 is a right side view thereof;
FIG. 5 is a left side view thereof;
FIG. 6 is a top view thereof; and,
FIG. 7 is a bottom view thereof.

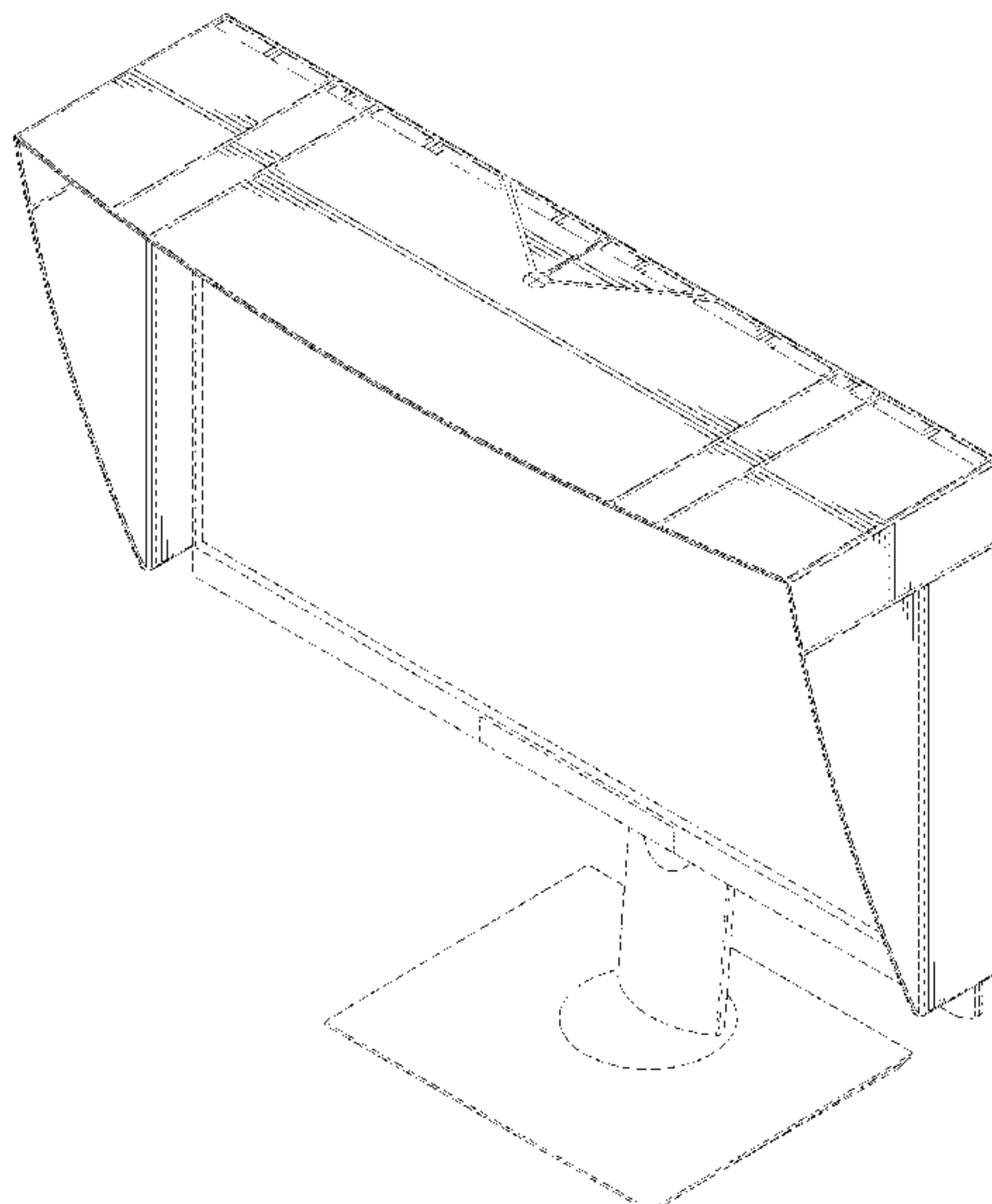
Broken lines shown in the drawings illustrate portions of the foldable monitor hood, and form no part of the claimed design.

1 Claim, 7 Drawing Sheets

(56) **References Cited**

U.S. PATENT DOCUMENTS

- 4,569,572 A * 2/1986 Kopich H04N 5/65 348/373
- 4,863,242 A * 9/1989 Correa G06F 1/1603 359/601
- 5,115,345 A * 5/1992 Hobson H04N 5/65 106/271



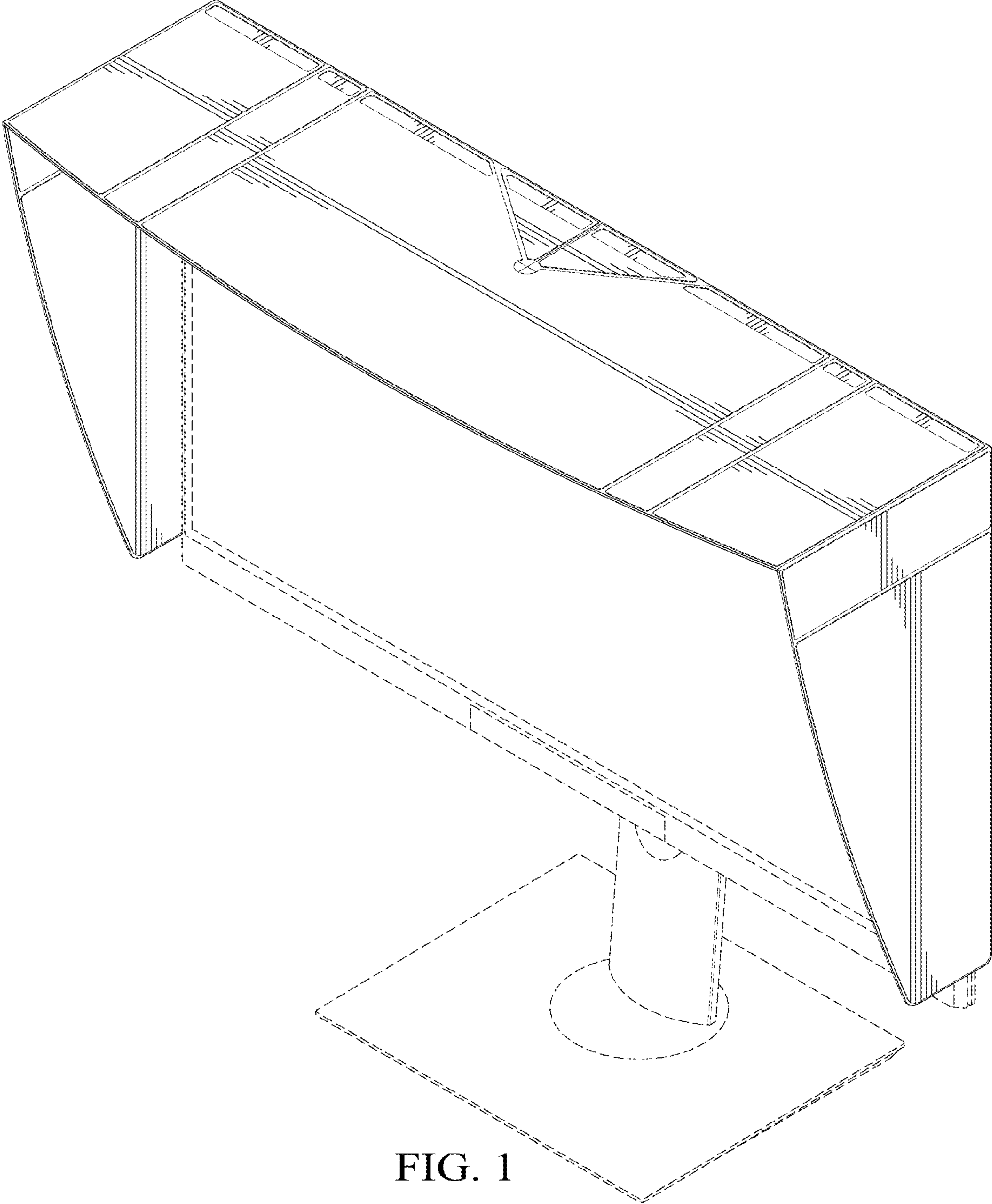
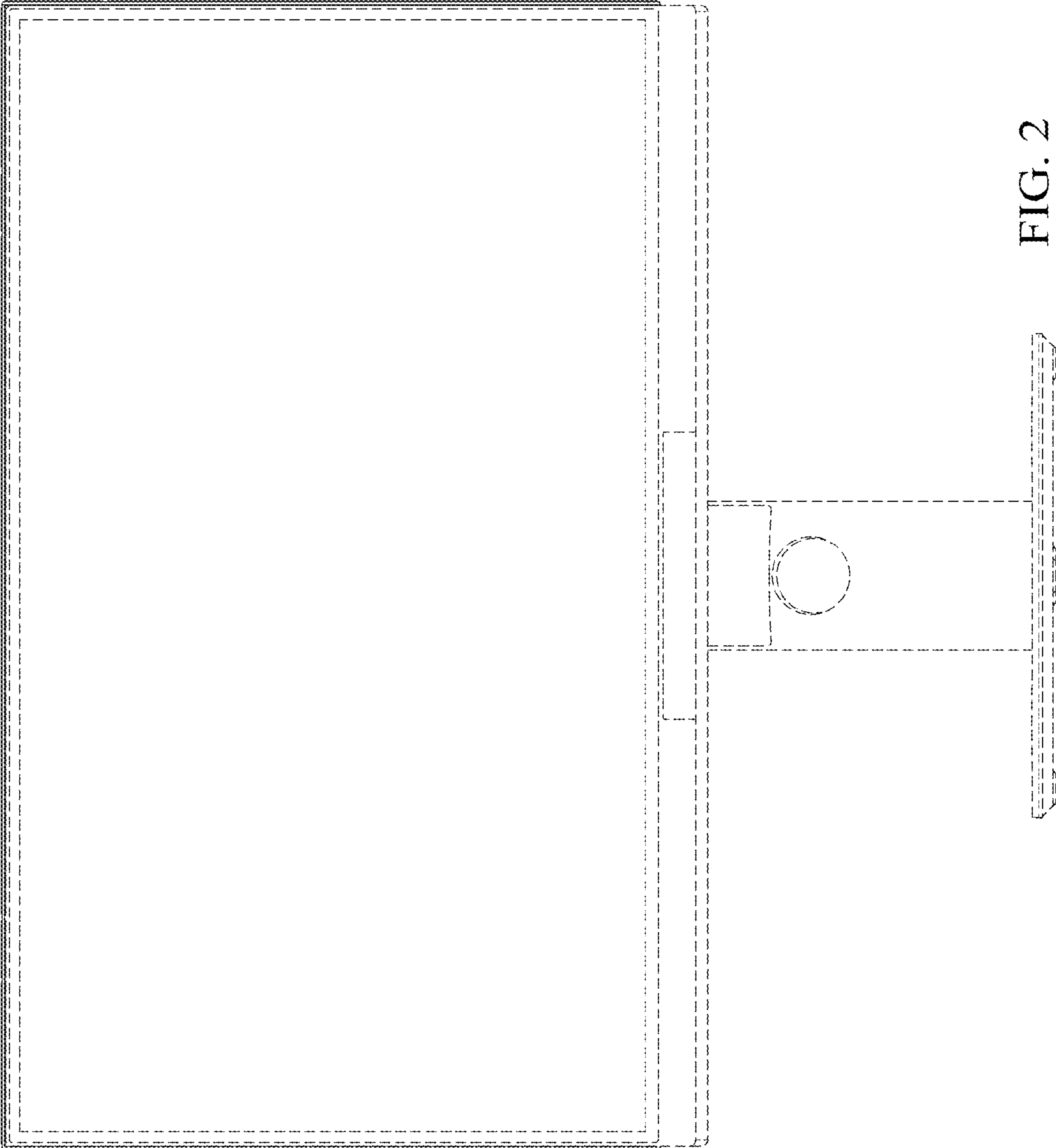
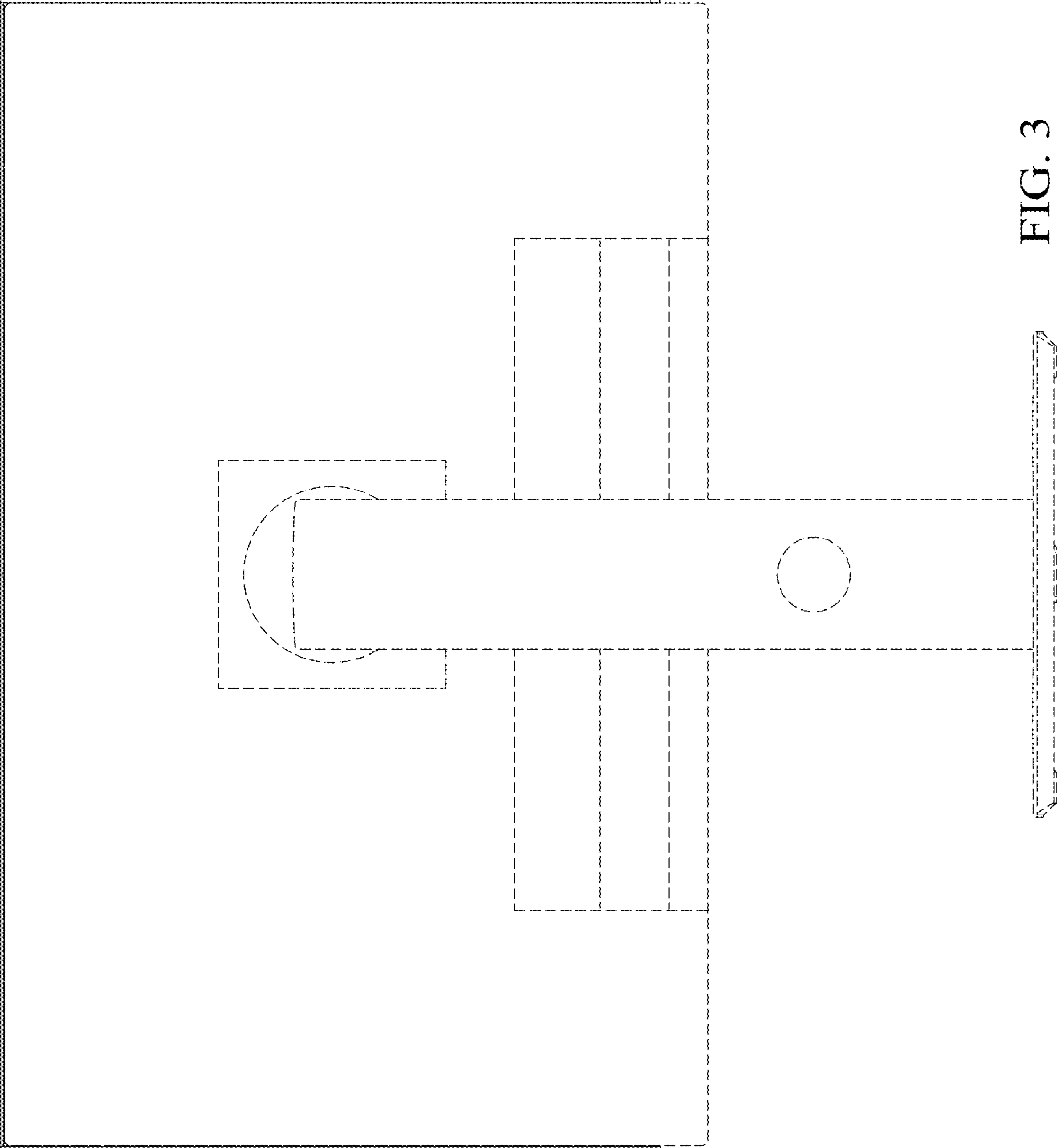


FIG. 1





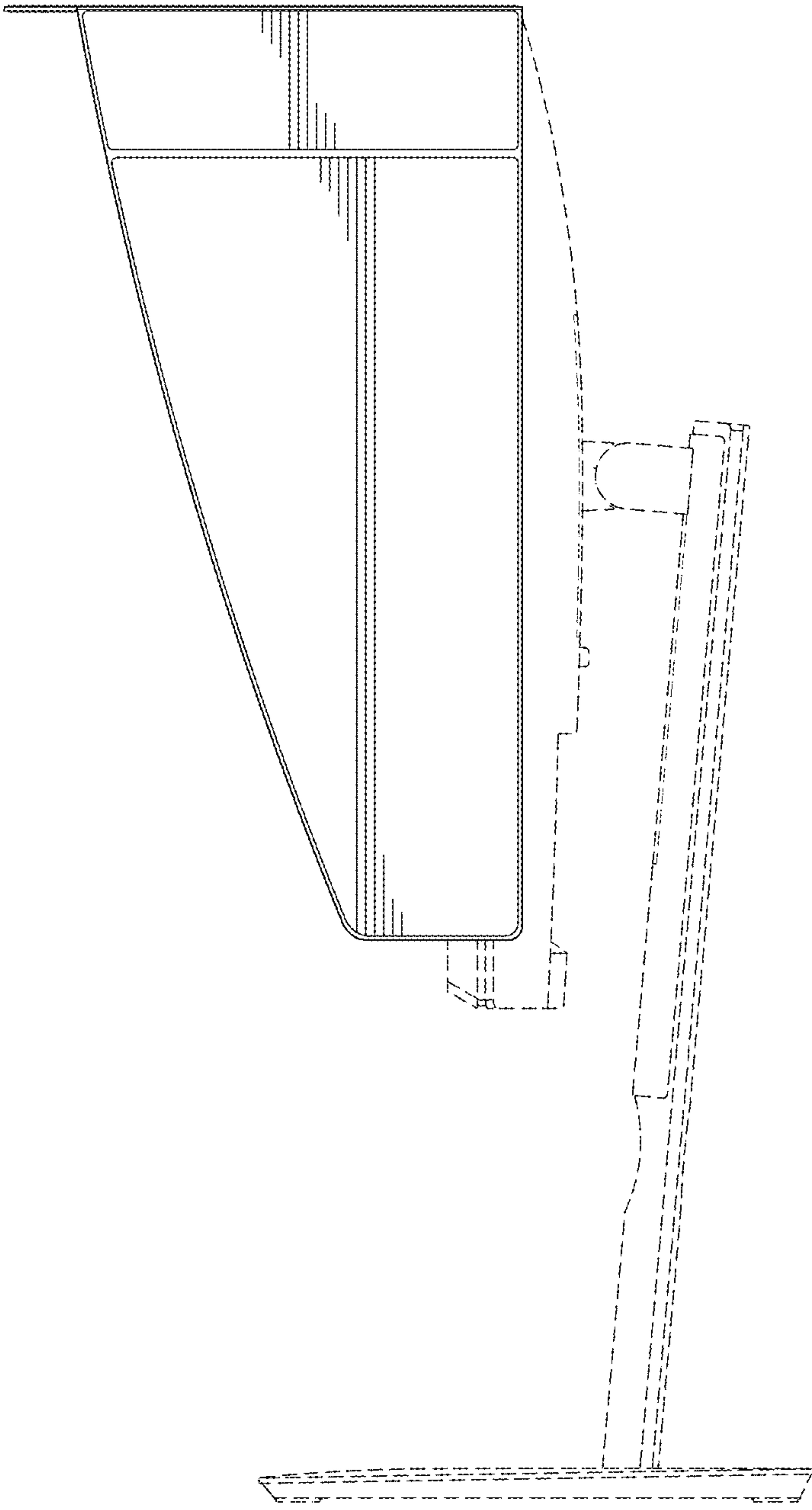


FIG. 4

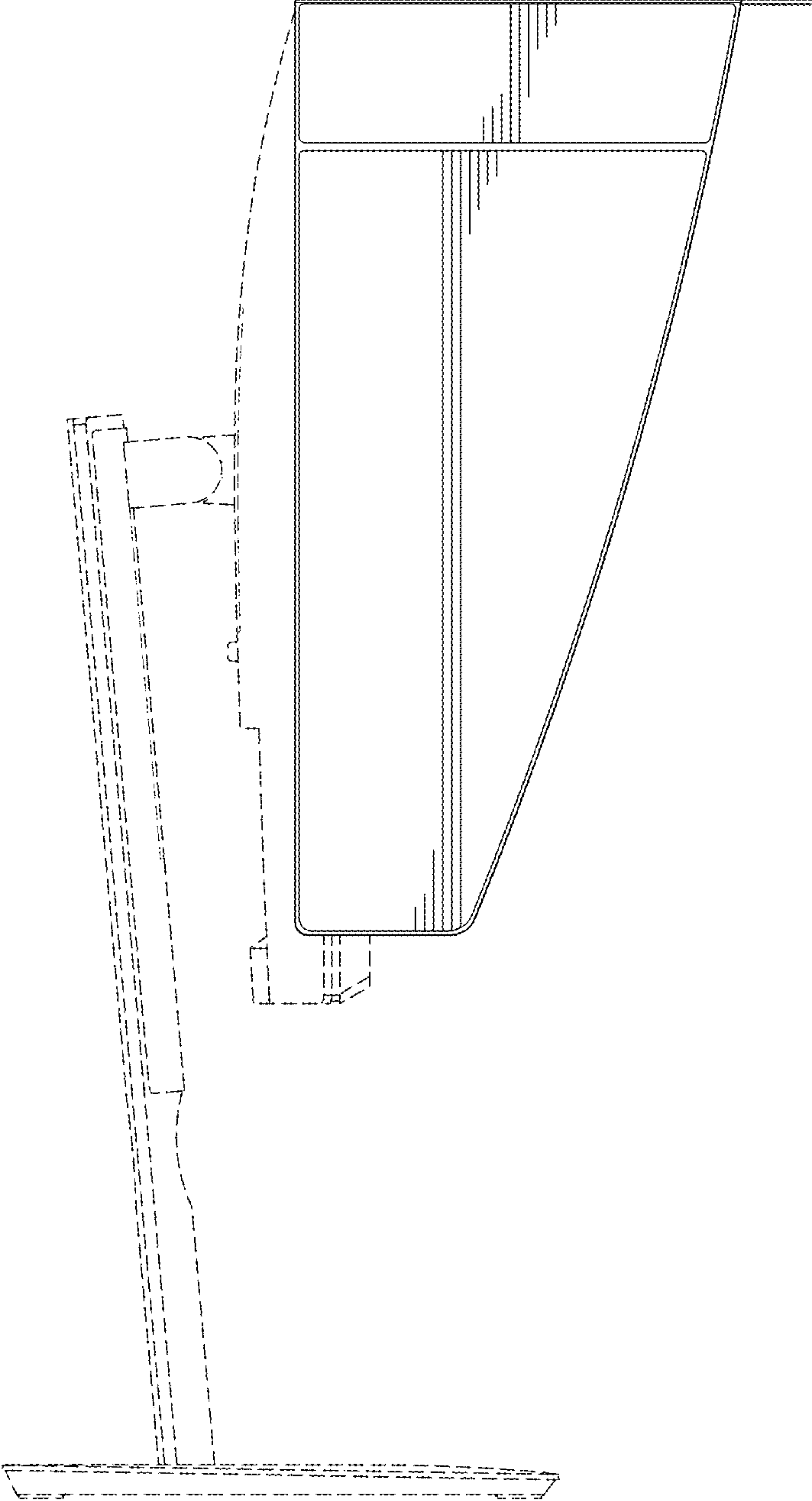


FIG. 5

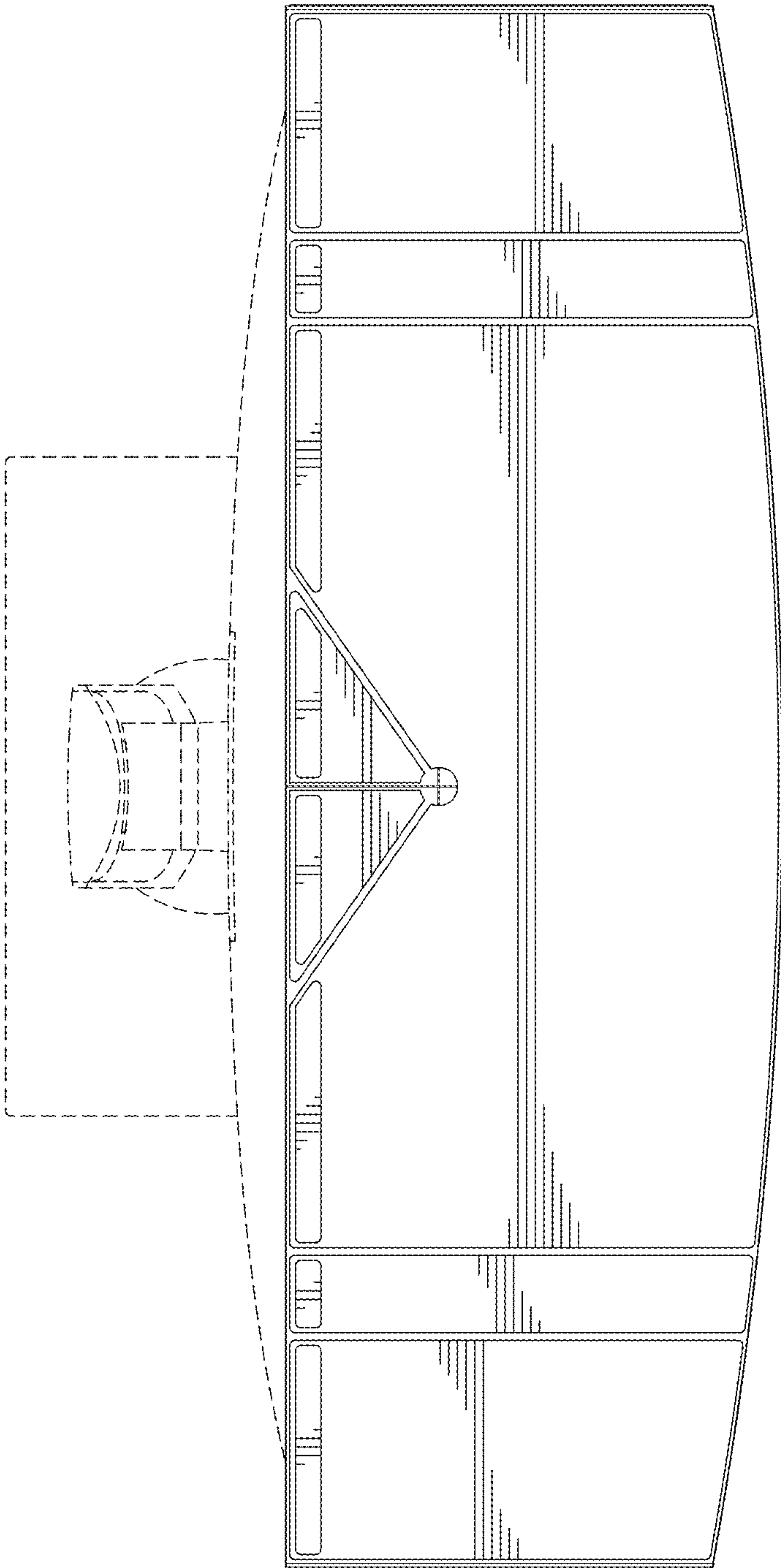


FIG. 6

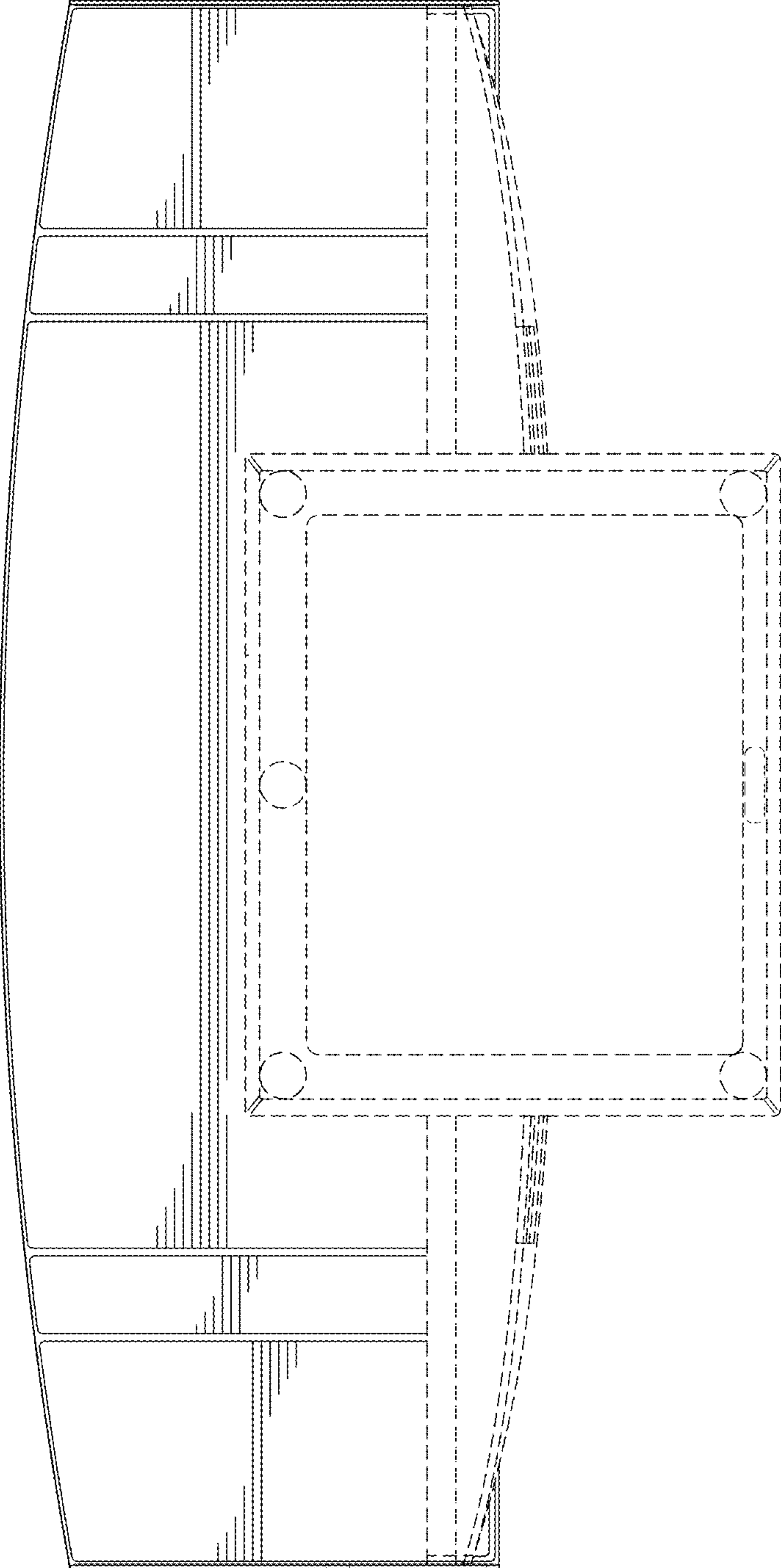


FIG. 7