



US00D877154S

(12) **United States Design Patent** (10) **Patent No.:** **US D877,154 S**
Hummel et al. (45) **Date of Patent:** **** Mar. 3, 2020**

(54) **STAND FOR MOBILE DEVICE**

(57) **CLAIM**

(71) Applicant: **Samsonite IP Holdings S.à.r.l.**,
Luxembourg (LU)

The ornamental design for a stand for mobile device, as shown and described.

(72) Inventors: **Mark Gregory Hummel**, Poway, CA (US); **Bryan Lee Hyncek**, Redwood City, CA (US); **Christopher William Ledesma**, Arcadia, CA (US)

DESCRIPTION

(73) Assignee: **Samsonite IP Holdings S.à.r.l.**,
Luxembourg (LU)

FIG. 1 is an upper side view of a stand for mobile device in accordance with a first embodiment of the invention;
FIG. 2 is a rear view thereof;
FIG. 3 is a right side view thereof;
FIG. 4 is a left side thereof;
FIG. 5 is a lower side view thereof;
FIG. 6 is a front view thereof;
FIG. 7 is a rear-left perspective view of the stand for mobile device in the closed or flat state in accordance with the first embodiment of the invention;
FIG. 8 is a rear-left perspective view of the stand for mobile device in the open or standing state in accordance with the first embodiment of the invention;
FIG. 9 is an upper side view of the stand for mobile device in accordance with a second embodiment of the invention;
FIG. 10 is a rear view thereof;
FIG. 11 is a right side view thereof;
FIG. 12 is a left side view thereof;
FIG. 13 is a lower side view thereof;
FIG. 14 is a front view thereof;
FIG. 15 is a rear-left perspective view of the stand for mobile device in the closed or flat state in accordance with the second embodiment of the invention;
FIG. 16 is a rear-left perspective view of the stand for mobile device in the open or standing state in accordance with the second embodiment of the invention;
FIG. 17 is an upper side view of the stand for mobile device in accordance with a third embodiment of the invention;
FIG. 18 is a rear view thereof;
FIG. 19 is a right side view thereof;
FIG. 20 is a left side view thereof;
FIG. 21 is a lower side view thereof;
FIG. 22 is a front thereof;
FIG. 23 is a rear-left perspective view of the stand for mobile device in the closed or flat state in accordance with the third embodiment of the invention; and,

(**) Term: **15 Years**

(21) Appl. No.: **29/657,023**

(22) Filed: **Jul. 18, 2018**

(51) **LOC (12) Cl.** **08-07**

(52) **U.S. Cl.**
USPC **D14/447**

(58) **Field of Classification Search**
USPC D14/447, 432, 434, 439, 440, 451, 452,
D14/457, 239, 250, 253, 203.7, 336, 337;
(Continued)

(56) **References Cited**

U.S. PATENT DOCUMENTS

4,763,763 A 8/1988 Sadow
5,732,928 A 3/1998 Chang
(Continued)

OTHER PUBLICATIONS

ZVE Kickstand Case (Nov. 12, 2016), https://www.amazon.com/ZVE-Horizontal-Reinforced-Kickstand-Shockproof/dp/B01M7YNQFB/ref=cm_cr_ar_p_d_product_top.

(Continued)

Primary Examiner — Angela J Lee

(74) *Attorney, Agent, or Firm* — Lerner, David, Littenberg, Krumholz & Mentlik, LLP

(Continued)

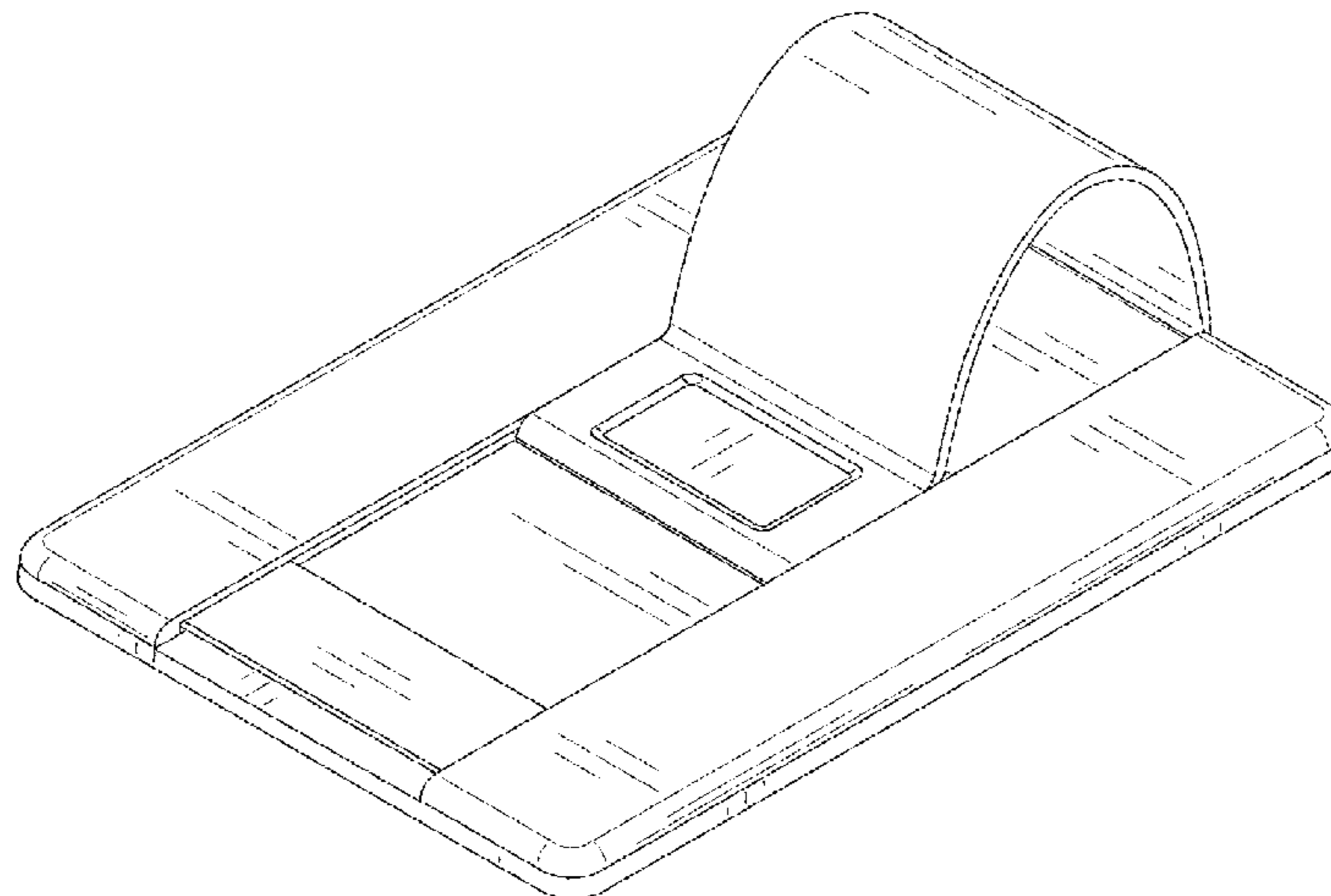


FIG. 24 is a rear-left perspective view of the stand for mobile device in the open or standing state in accordance with the third embodiment of the invention.

The broken lines shown in the figures are for the purpose of illustrating structure that forms no part of the claimed design.

1 Claim, 12 Drawing Sheets

(58) **Field of Classification Search**

USPC D8/363, 373, 380; D6/406.3, 406.4, D6/406.5, 406.6; D12/415; D21/330, D21/331; D3/218
 CPC A47B 21/04; A47B 2097/006; A47B 2097/005; A47B 2023/049; A45C 2011/002; A45C 2011/003; F16M 2200/00; F16M 13/00

See application file for complete search history.

(56) **References Cited**

U.S. PATENT DOCUMENTS

D626,964	S	*	11/2010	Richardson	D14/447
D667,831	S	*	9/2012	Stravitz	D14/447
D669,085	S	*	10/2012	Coberly	D14/447
D674,396	S	*	1/2013	Yang	D14/447
8,374,657	B2		2/2013	Interdonato		
D689,870	S	*	9/2013	Fong	D14/447
8,550,317	B2		10/2013	Hyseni		
D697,069	S	*	1/2014	Tak	D14/447
D716,817	S	*	11/2014	Yang	D14/447
8,950,638	B2		2/2015	Wangercyn, Jr. et al.		
8,978,883	B2		3/2015	Gandhi et al.		
8,985,543	B2		3/2015	Chen et al.		

D755,796	S	*	5/2016	Gibson	D14/447
9,372,507	B2		6/2016	Dekock et al.		
9,535,453	B2		1/2017	Dong		
9,683,694	B2		6/2017	Shiba et al.		
9,699,283	B2		7/2017	Aldana et al.		
9,717,314	B2		8/2017	Idehara et al.		
9,768,822	B1		9/2017	Loh et al.		
9,874,260	B2		1/2018	Blochlinger et al.		
10,063,272	B1		8/2018	Yeo		
D833,446	S	*	11/2018	Elder	D14/447
D843,378	S	*	3/2019	Langhein	D14/447
2003/0213886	A1		11/2003	Gilbert		
2005/0205623	A1		9/2005	Buntain		
2011/0309117	A1		12/2011	Roberts		
2012/0181196	A1		7/2012	Mongan et al.		
2014/0262853	A1		9/2014	DeChant		
2014/0332418	A1		11/2014	Cheung et al.		
2015/0011269	A1		1/2015	Liu		
2015/0092346	A1		4/2015	Ben et al.		
2015/0375894	A1		12/2015	Idehara et al.		
2016/0157368	A1		6/2016	Dong		
2016/0286016	A1		9/2016	Lee et al.		
2017/0328514	A1		11/2017	Cavalcante		

OTHER PUBLICATIONS

Vena Wallet Case (Oct. 1, 2016), https://www.amazon.com/Vena-vCommute-Military-Protection-KickStand/dp/B01KUFTXUM/ref=cm_cr_arp_d_product_top.
 WizGear Shell Holster Case (Nov. 17, 2016), https://www.amazon.com/dp/B01MA3N3OF/ref=sxbs_sxwds-stvpv2_1.
 i-Blason Transformer Shell Holster Case (Apr. 10, 2015), https://www.amazon.com/i-Blason-Transformer-Holster-Kickstand-Locking/dp/B00TVEXWII/ref=sr_1_103.
 Qeeplo Carbon Fiber Cases (Jul. 10, 2018), [https://qeeplo.com/collections/frontpage.products/carbon-fiber-case](https://qeeplo.com/collections/frontpage/products/carbon-fiber-case).

* cited by examiner

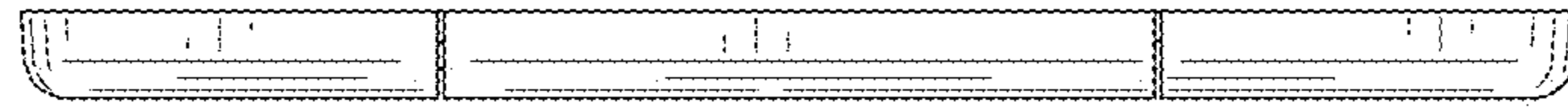


Fig. 1

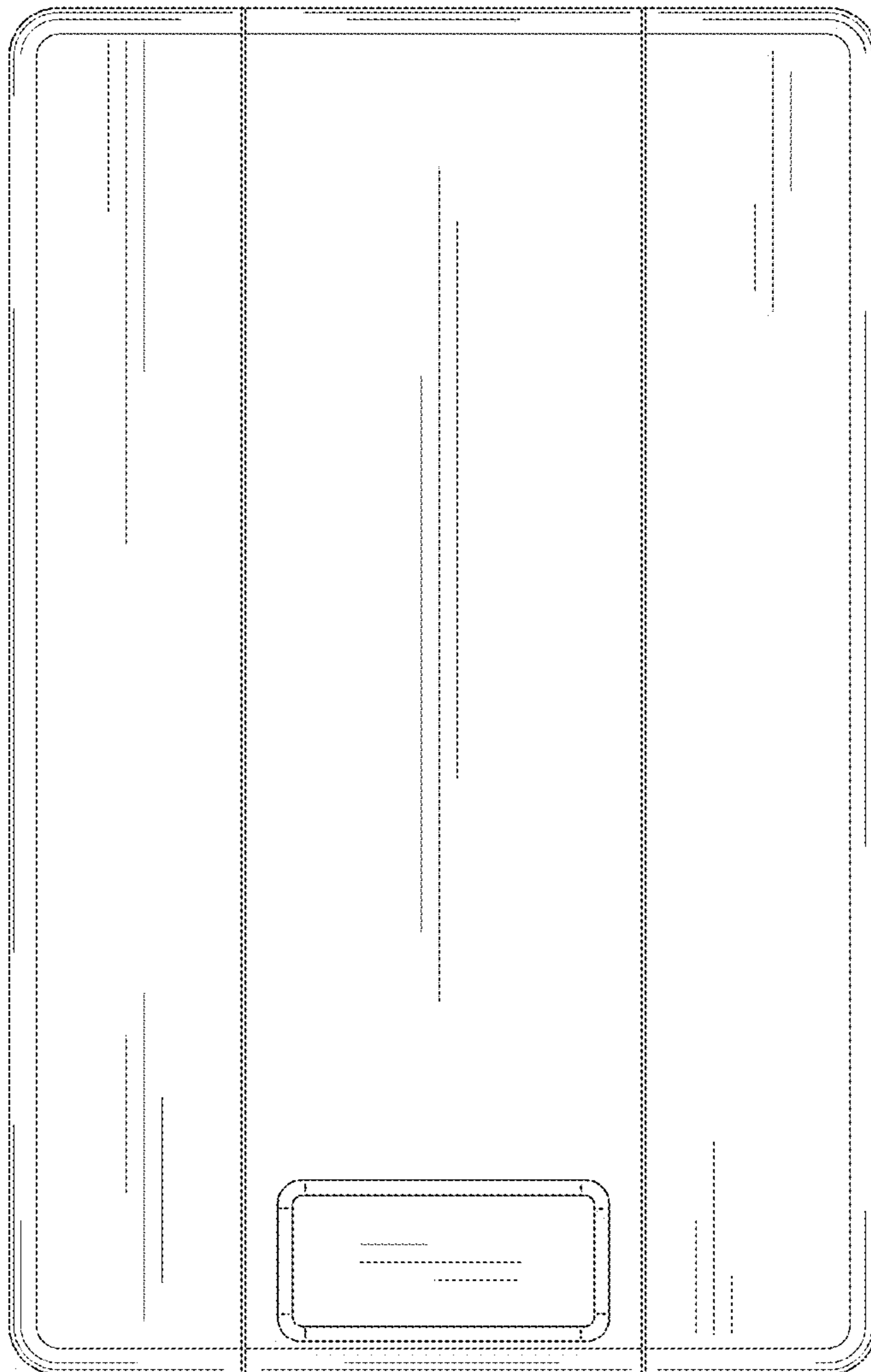


Fig. 2



Fig. 3

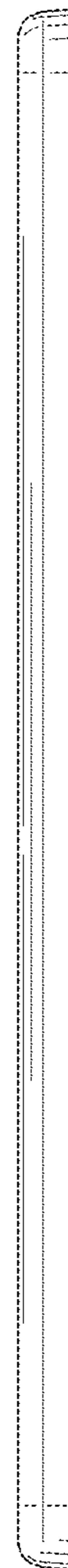


Fig. 4

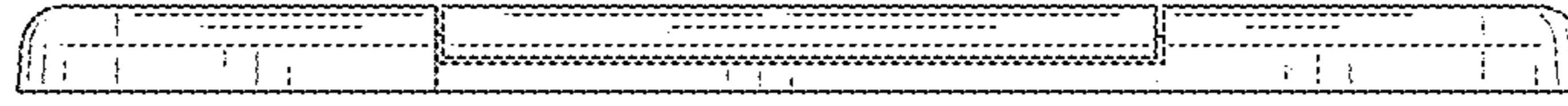


Fig. 5

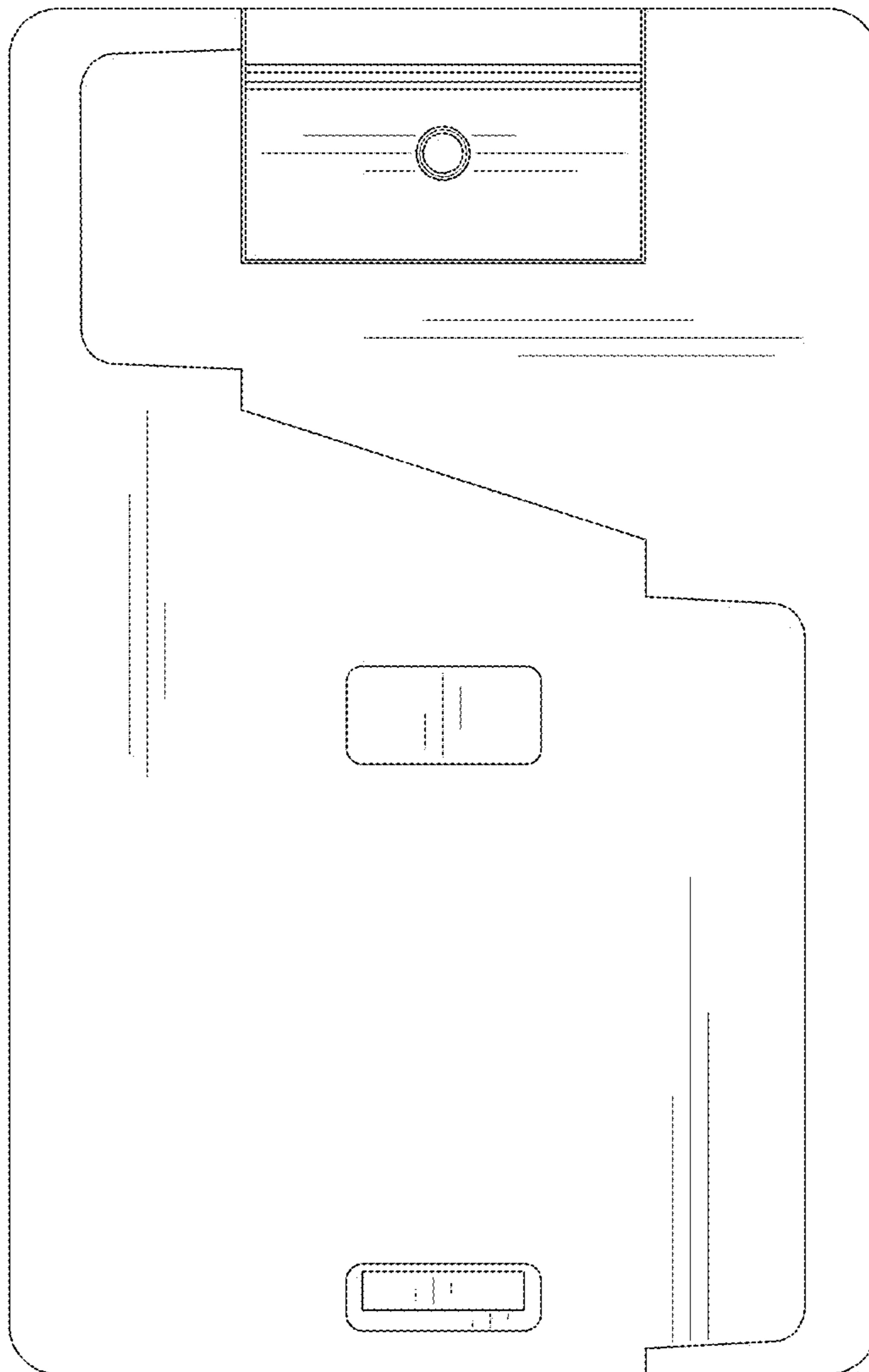


Fig. 6

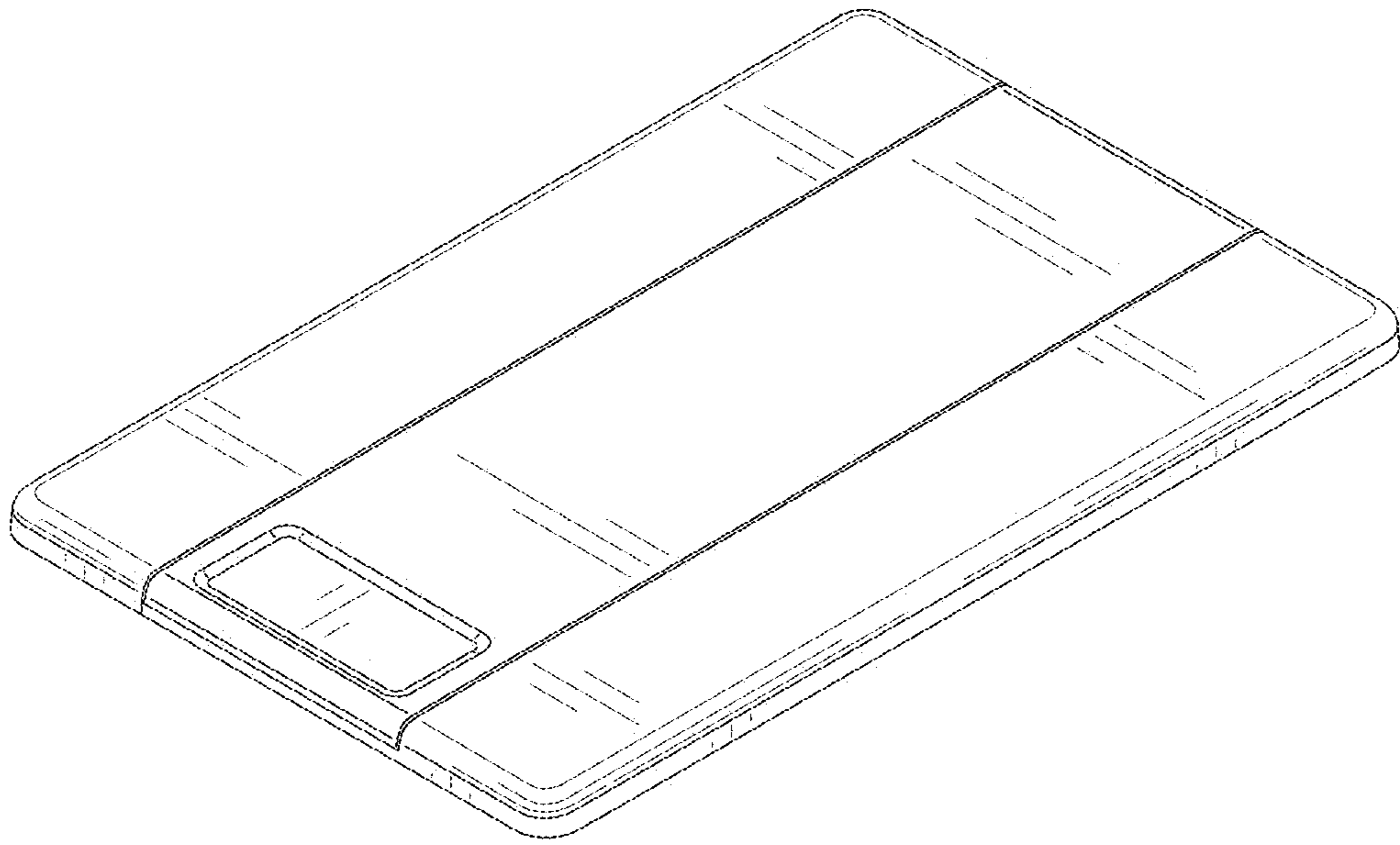


Fig. 7

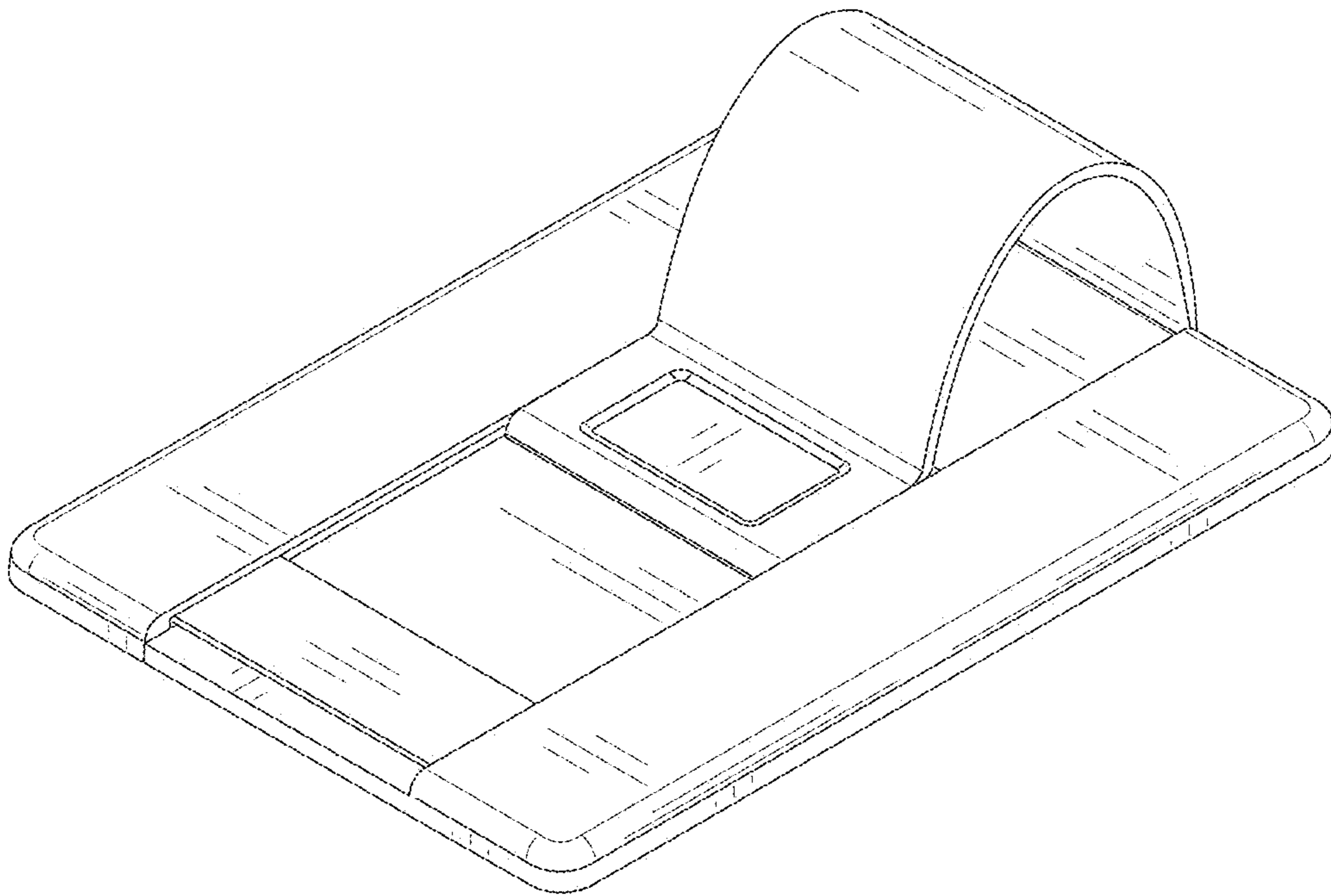


Fig. 8

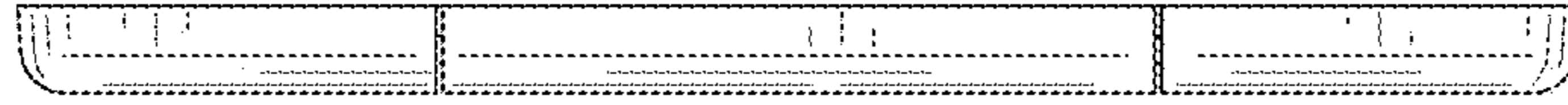


Fig. 9

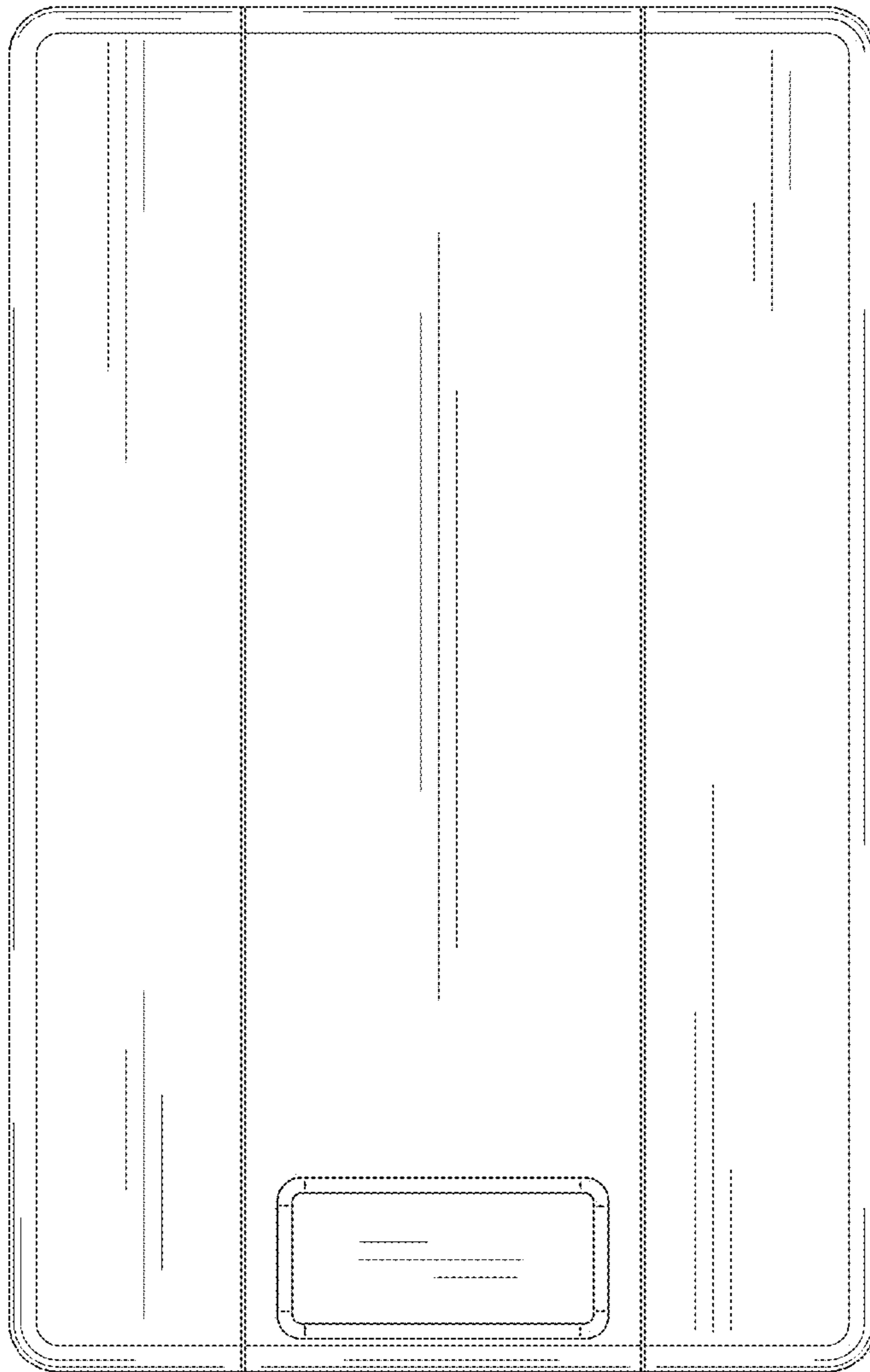


Fig. 10

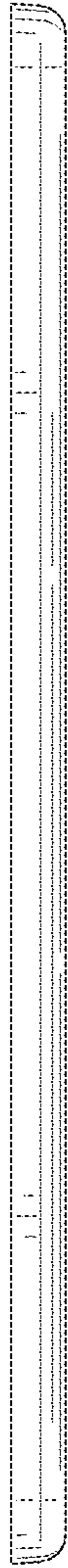


Fig. 11

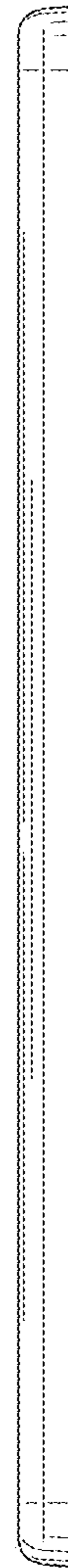


Fig. 12

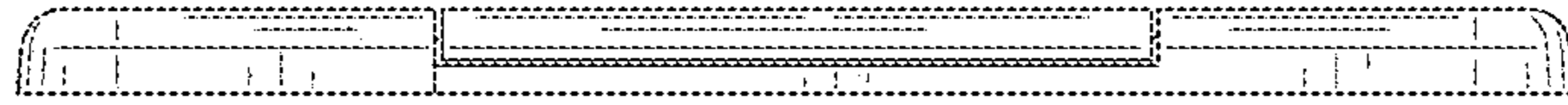


Fig. 13

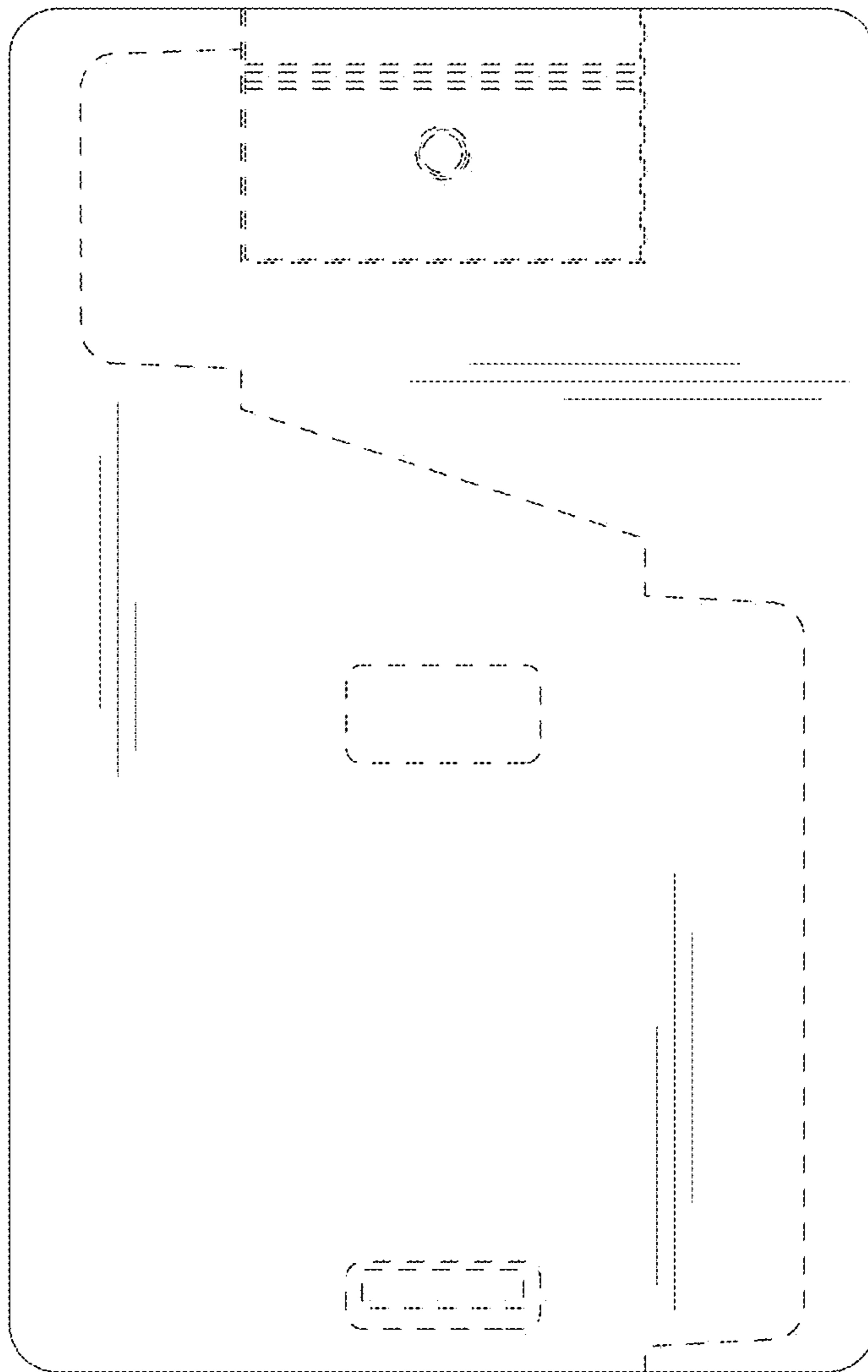


Fig. 14

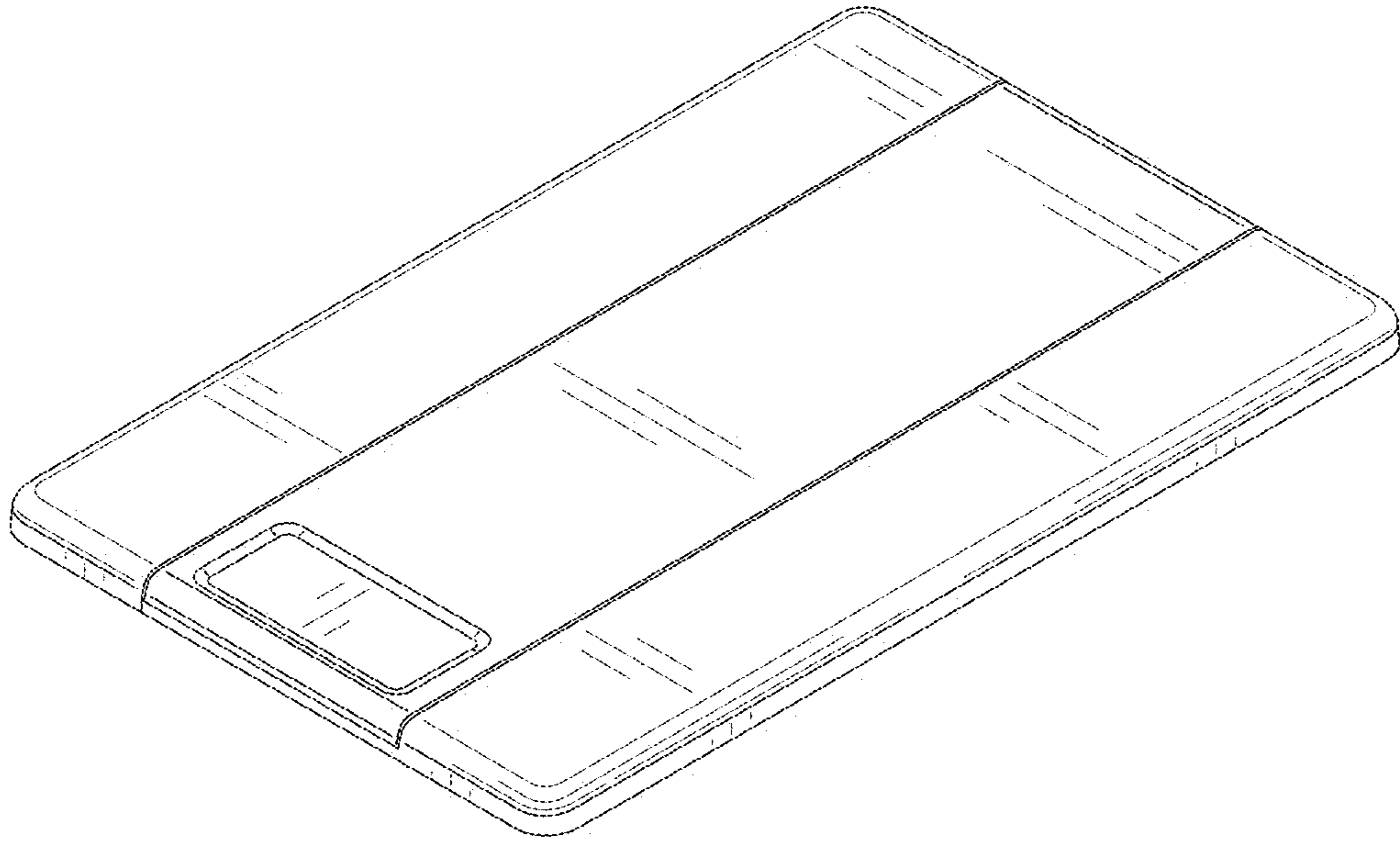


Fig. 15

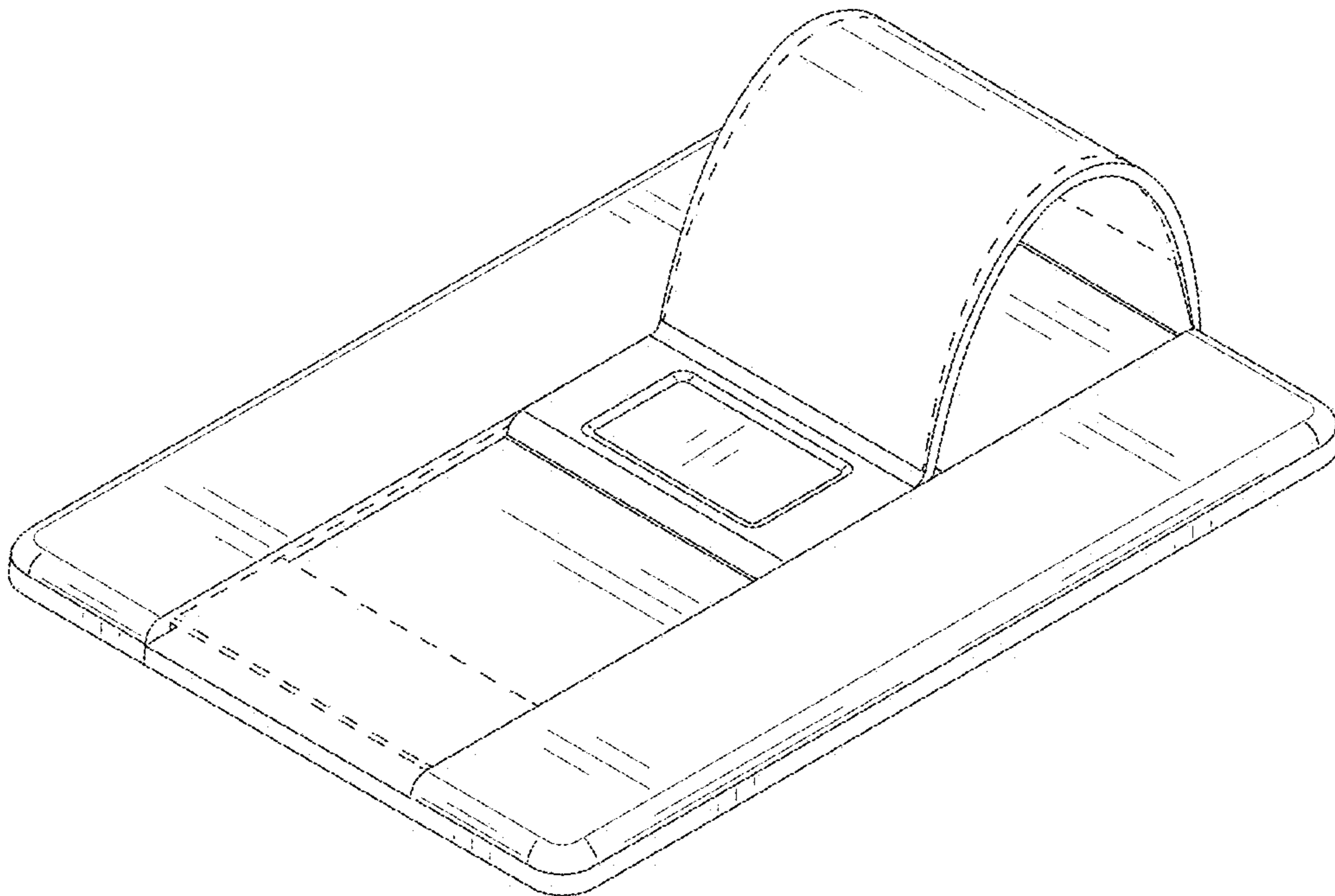


Fig. 16

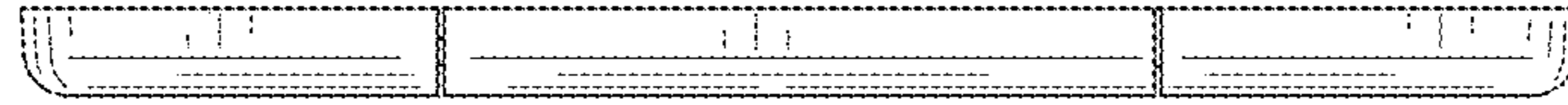


Fig. 17

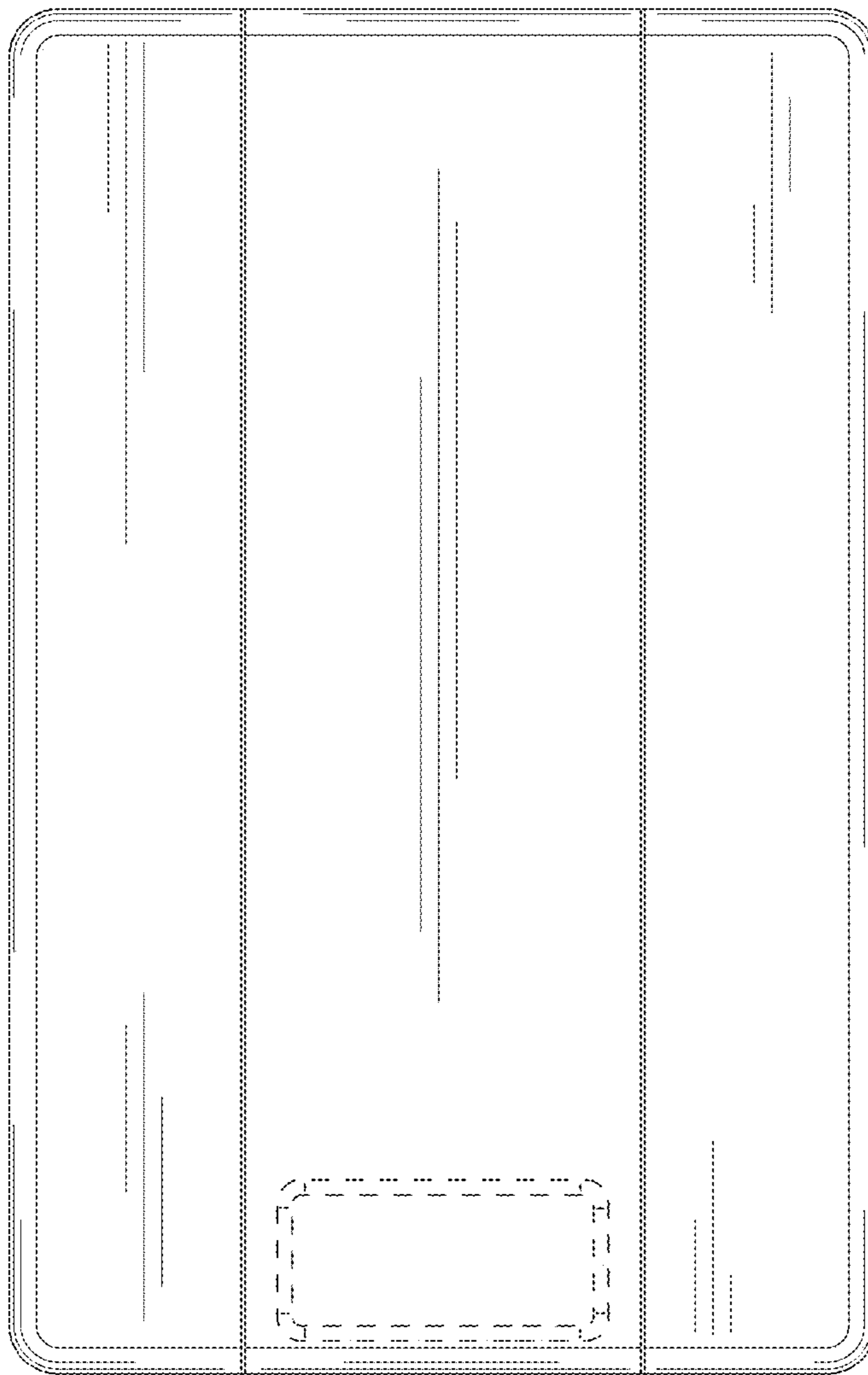


Fig. 18

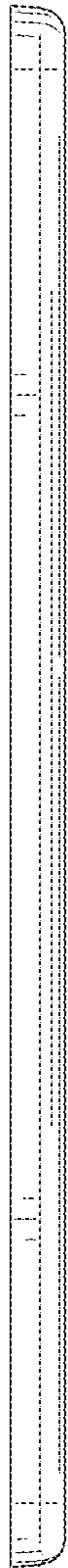


Fig. 19

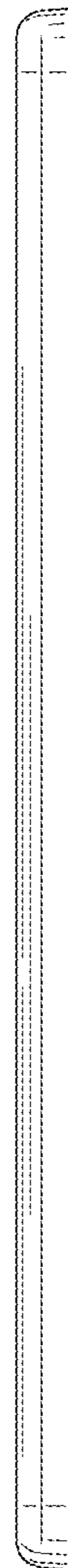


Fig. 20

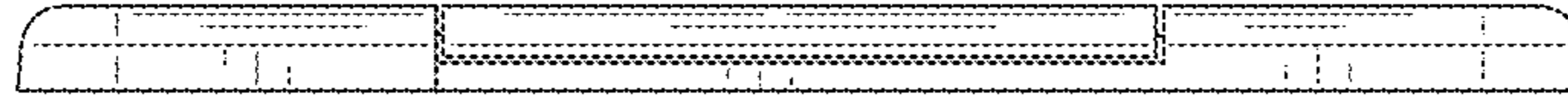


Fig. 21

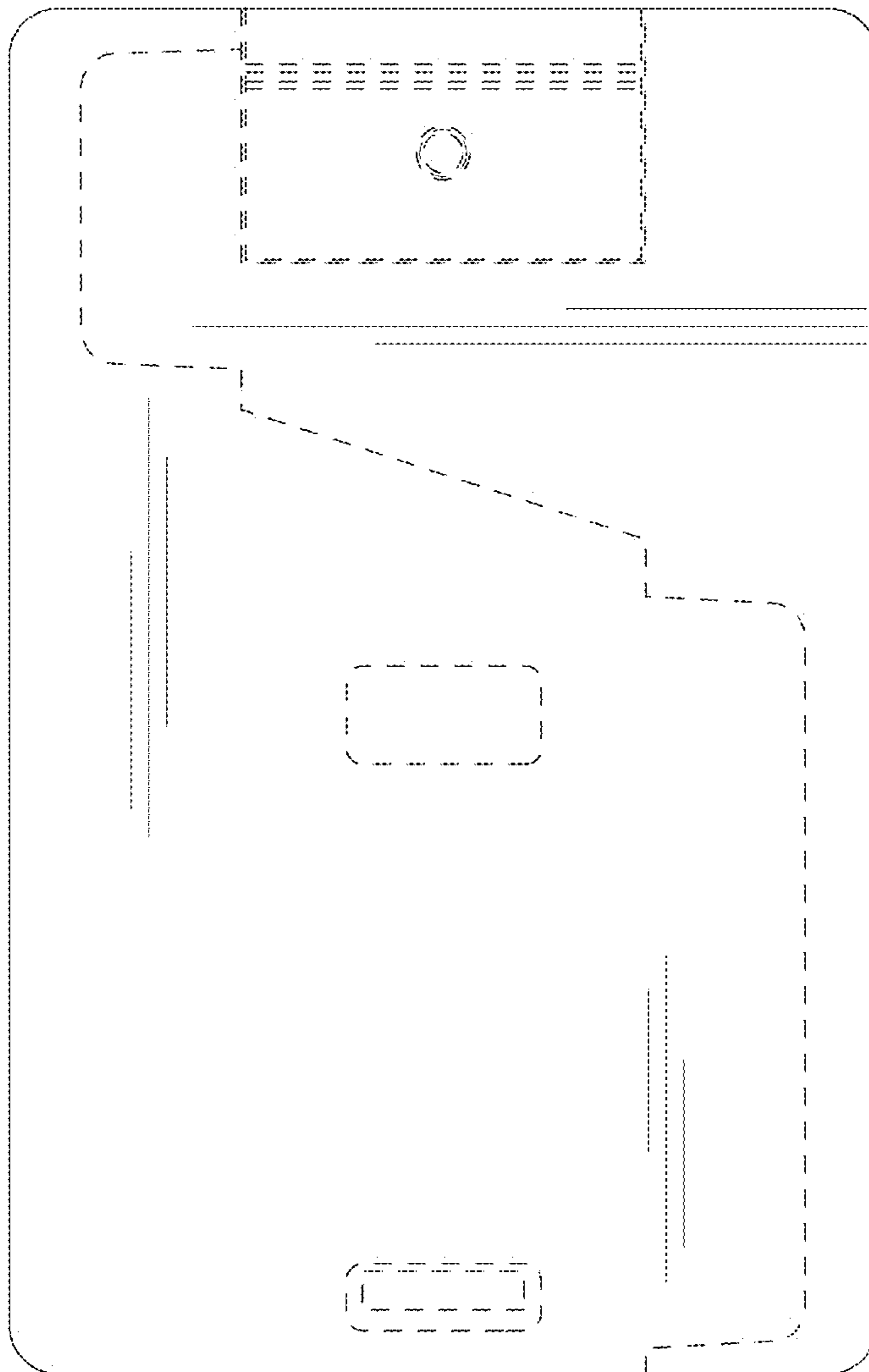


Fig. 22

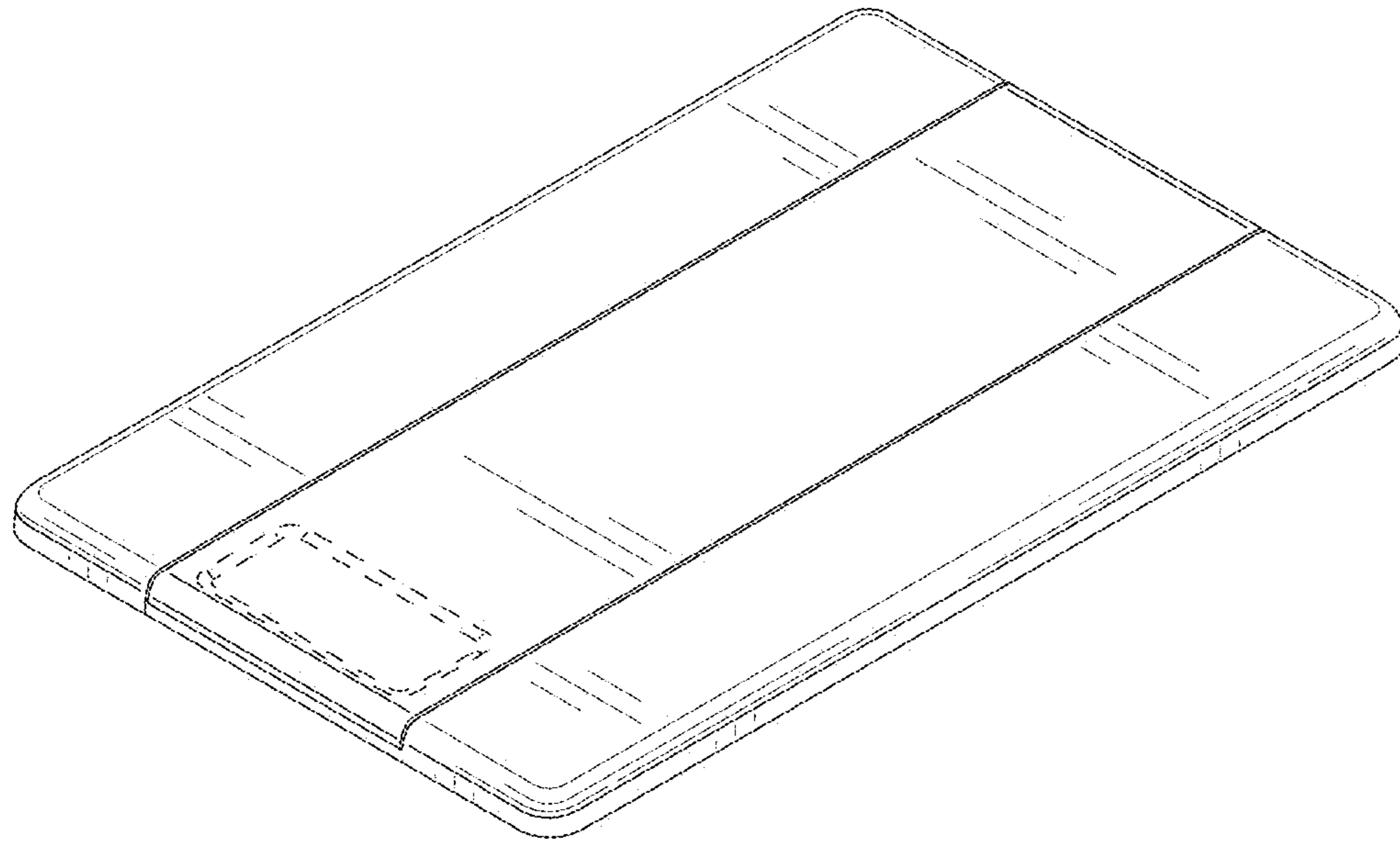


Fig. 23

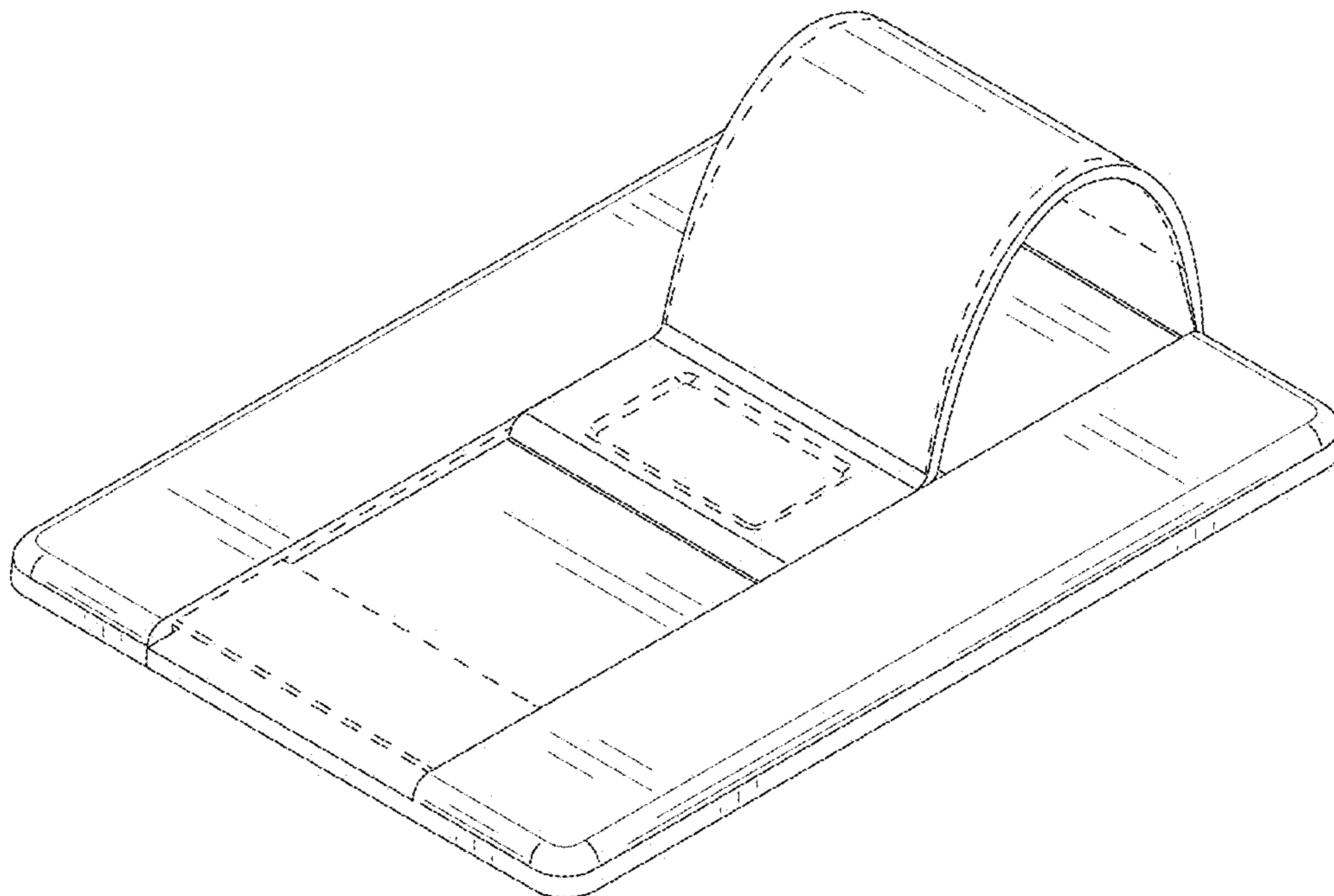


Fig. 24