



US00D877149S

(12) **United States Design Patent**  
**Johnston**

(10) **Patent No.:** **US D877,149 S**  
(45) **Date of Patent:** **\*\* Mar. 3, 2020**

- (54) **TOUCH INPUT DEVICE**
- (71) Applicant: **JOAN R & D PTY LTD**, Malvern East, Victoria (AU)
- (72) Inventor: **Nicholas Maxwell Johnston**, Fitzroy (AU)
- (73) Assignee: **JOAN R & D PTY LTD** (AU)
- (\*\*) Term: **15 Years**
- (21) Appl. No.: **29/649,514**
- (22) Filed: **May 30, 2018**
- (51) **LOC (12) Cl.** ..... **14-02**
- (52) **U.S. Cl.**  
USPC ..... **D14/388**; D14/218
- (58) **Field of Classification Search**  
USPC ..... D14/388.356, 357, 358, 361, 362, 365, D14/367, 370, 432, 434, 203.1, 203.6, D14/217, 218, 240, 242, 299, 125, 155, D14/168, 188, 195, 300, 302, 314, 348, D14/351, 388, 496, 399-401, 412-416, D14/454-457, 172; D13/123, 162, 162.1, D13/163, 168, 184, 199; D10/104.1, D10/106.6, 116.1, 61, 62, 64, 65, 75; D21/324, 332, 333; D24/167, 168, 186; D28/8.1, 8.2, 82; D9/545, 549, 428  
CPC ... G06F 3/00; G06F 3/01; G06F 3/011; G06F 3/016; G06F 3/017; G06F 3/0304; G06F 3/0346; G06F 3/041; G06F 3/16; G06F 3/0202; G06F 1/1694; G06F 2203/0384; G08B 21/00  
See application file for complete search history.

- (56) **References Cited**  
U.S. PATENT DOCUMENTS  
D347,584 S \* 6/1994 Vogelpohl ..... D10/49  
D382,255 S \* 8/1997 Moffatt ..... D13/147  
D391,943 S \* 3/1998 Han ..... D14/356

- D391,944 S \* 3/1998 Han ..... D14/356
- D411,800 S \* 7/1999 Kokenge ..... D9/454
- D494,633 S \* 8/2004 Nussberger ..... D21/324
- D502,929 S \* 3/2005 Copeland ..... D13/168
- D542,280 S \* 5/2007 Taylor ..... D14/218
- D568,827 S \* 5/2008 Ikeda ..... D13/168
- D581,927 S \* 12/2008 Sumii ..... D14/356
- D595,262 S \* 6/2009 Nousiainen ..... D14/206
- D600,694 S \* 9/2009 Sumii ..... D14/356
- D642,722 S \* 8/2011 Oberpriller ..... D26/67
- D647,227 S \* 10/2011 Kaule ..... D26/24
- D694,182 S \* 11/2013 Lee ..... D13/108

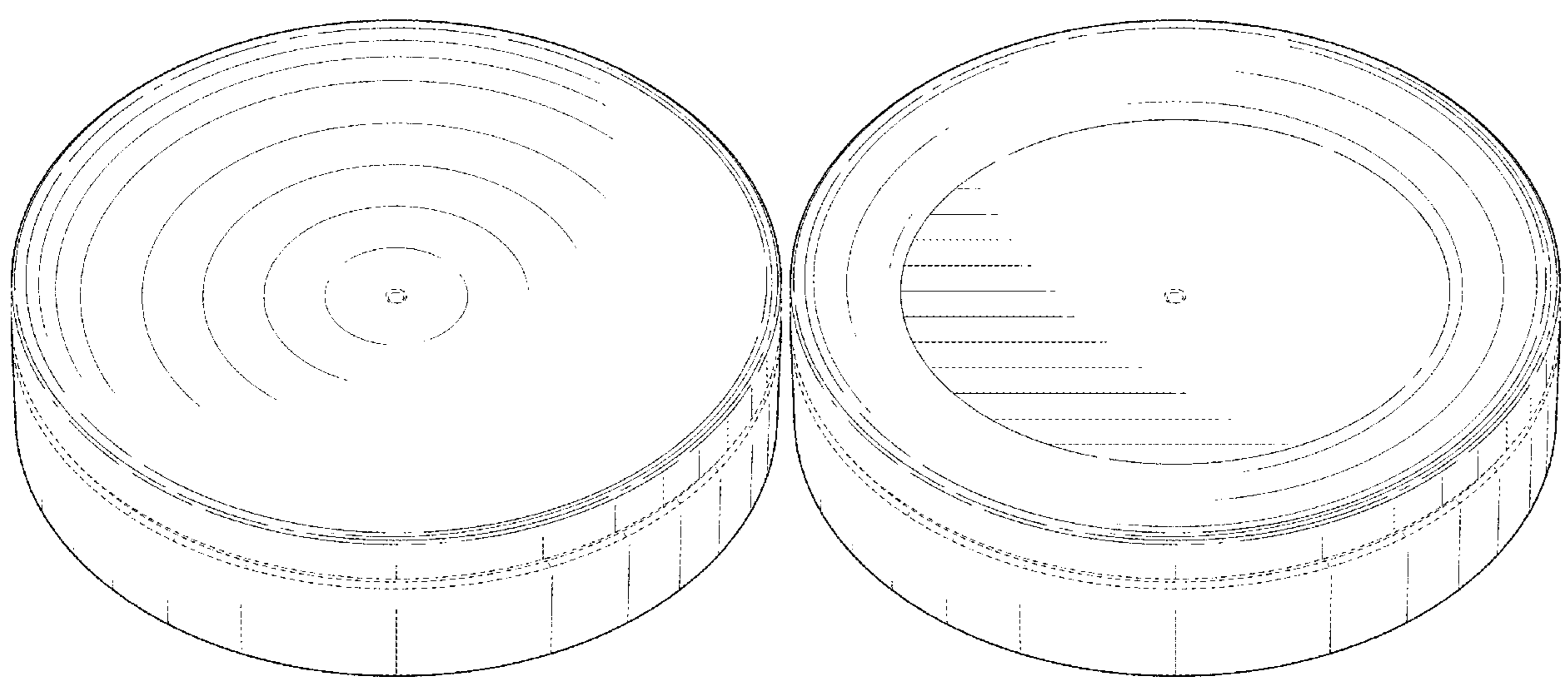
(Continued)

*Primary Examiner* — Marie D. Fast Horse  
(74) *Attorney, Agent, or Firm* — Polsinelli PC

(57) **CLAIM**  
I claim the ornamental design for a touch input device, as shown and described.

**DESCRIPTION**  
FIG. 1 is a perspective view of a first embodiment of a touch input device, showing my new design;  
FIG. 2 is a front elevational view thereof;  
FIG. 3 is a rear elevational view thereof;  
FIG. 4 is a top plan view thereof;  
FIG. 5 is a bottom plan view thereof;  
FIG. 6 is a right side elevational view thereof; and  
FIG. 7 is a left side elevational view thereof.  
FIG. 8 is a perspective view of a second embodiment of the touch input device;  
FIG. 9 is a front elevational view thereof;  
FIG. 10 is a rear elevational view thereof;  
FIG. 11 is a top plan view thereof;  
FIG. 12 is a bottom plan view thereof;  
FIG. 13 is a right side elevational view thereof; and  
FIG. 14 is a left side elevational view thereof.  
Broken lines are for illustrating unclaimed portions of the touch input device; the broken lines form no part of the claimed design.

**1 Claim, 8 Drawing Sheets**



(56)

References Cited

U.S. PATENT DOCUMENTS

D707,578 S \* 6/2014 Carr ..... D10/106.1  
 D718,234 S \* 11/2014 Rautiainen ..... D13/108  
 D720,289 S \* 12/2014 Chiang ..... D13/108  
 D724,060 S \* 3/2015 Ahn ..... D14/218  
 D725,524 S \* 3/2015 Takach ..... D10/103  
 D726,161 S \* 4/2015 Howard ..... D14/218  
 D729,773 S \* 5/2015 Salojarvi ..... D14/218  
 D735,131 S \* 7/2015 Akana ..... D13/108  
 D743,819 S \* 11/2015 Golnik ..... D10/70  
 D743,954 S \* 11/2015 Chuang ..... D13/168  
 D746,166 S \* 12/2015 Li ..... D10/104.1  
 D750,980 S \* 3/2016 Takach ..... D10/50  
 D751,538 S \* 3/2016 Koehler ..... D14/240  
 D752,588 S \* 3/2016 Li ..... D14/385  
 D753,832 S \* 4/2016 Lin ..... D24/186  
 D760,221 S \* 6/2016 Maruyama ..... D14/357  
 D763,830 S \* 8/2016 Jones ..... D14/218  
 D764,320 S \* 8/2016 Li ..... D10/50  
 D766,844 S \* 9/2016 Turksu ..... D10/104.1  
 D768,631 S \* 10/2016 Epstein ..... D14/388  
 D771,142 S \* 11/2016 Langhammer ..... D14/203.6  
 D776,640 S \* 1/2017 Simonian ..... D14/218  
 D781,798 S \* 3/2017 Klepper ..... D14/125

D783,422 S \* 4/2017 Kashimoto ..... D10/50  
 D784,259 S \* 4/2017 Huang ..... D13/108  
 D786,193 S \* 5/2017 Akana ..... D13/108  
 D789,373 S \* 6/2017 King ..... D14/413  
 D789,374 S \* 6/2017 King ..... D14/413  
 D796,355 S \* 9/2017 Cho ..... D10/70  
 D802,022 S \* 11/2017 Yao ..... D14/496  
 9,830,005 B2 \* 11/2017 Sakaguchi ..... G06F 3/011  
 D804,533 S \* 12/2017 Mangum ..... D14/496  
 D806,072 S \* 12/2017 Gummalla ..... D14/358  
 D806,711 S \* 1/2018 Sakaguchi ..... D14/388  
 D807,867 S \* 1/2018 Kato ..... D14/240  
 D815,149 S \* 4/2018 Langhammer ..... D14/496  
 D820,238 S \* 6/2018 Boshernitzan ..... D14/218  
 D820,318 S \* 6/2018 Mullins ..... D14/496  
 D822,717 S \* 7/2018 Lim ..... D14/496  
 D824,867 S \* 8/2018 Kim ..... D14/125  
 D827,598 S \* 9/2018 Kwon ..... D14/125  
 D829,242 S \* 9/2018 Laine ..... D14/496  
 D830,858 S \* 10/2018 Rogers ..... D10/41  
 D843,419 S \* 3/2019 Vaclavik ..... D14/496  
 D848,398 S \* 5/2019 Huang ..... D14/216  
 D855,586 S \* 8/2019 Bang ..... D14/218  
 D856,298 S \* 8/2019 Border ..... D14/150  
 D858,463 S \* 9/2019 Nien ..... D13/168  
 D864,961 S \* 10/2019 Sakaguchi ..... D14/388

\* cited by examiner

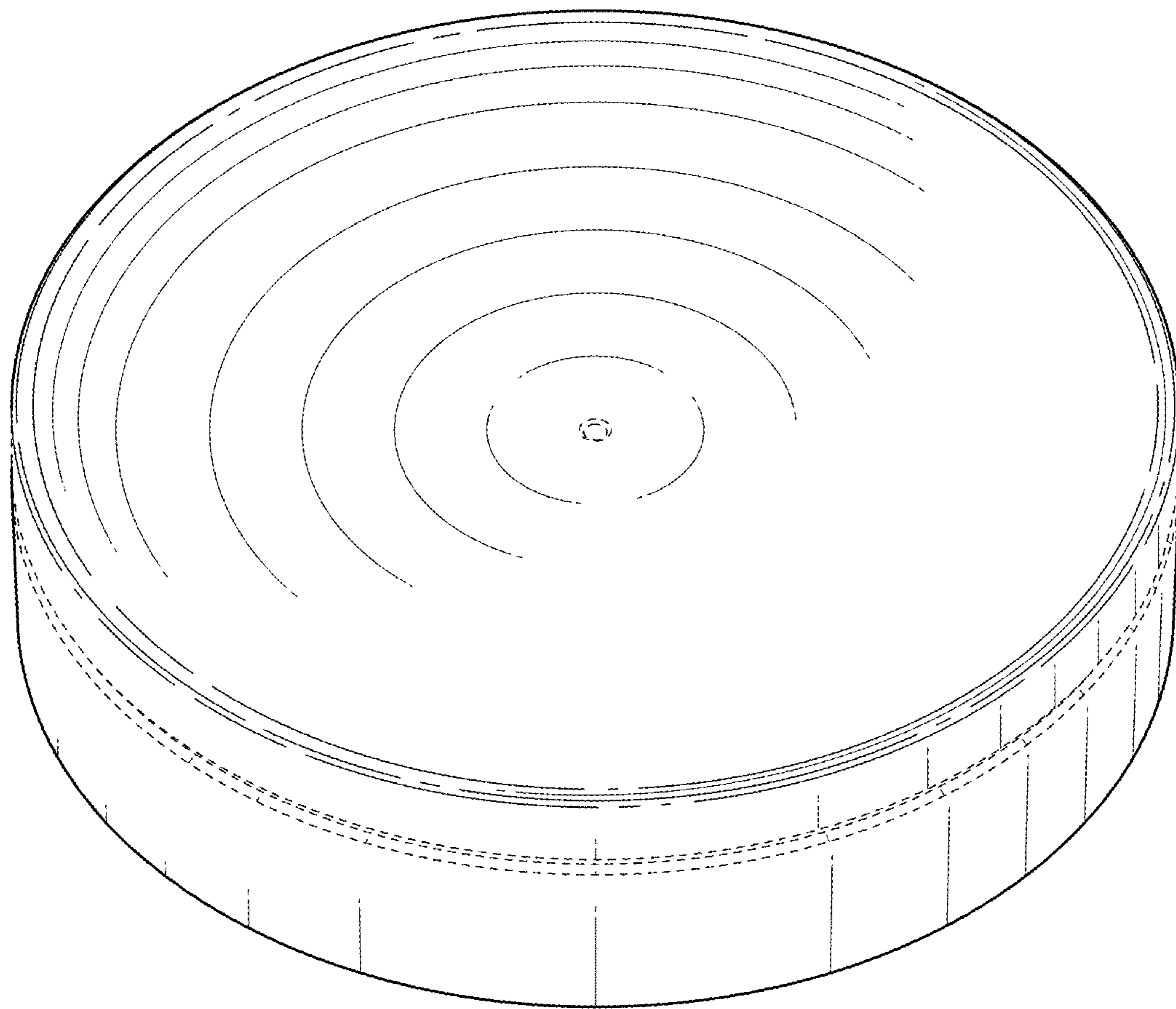


FIG. 1



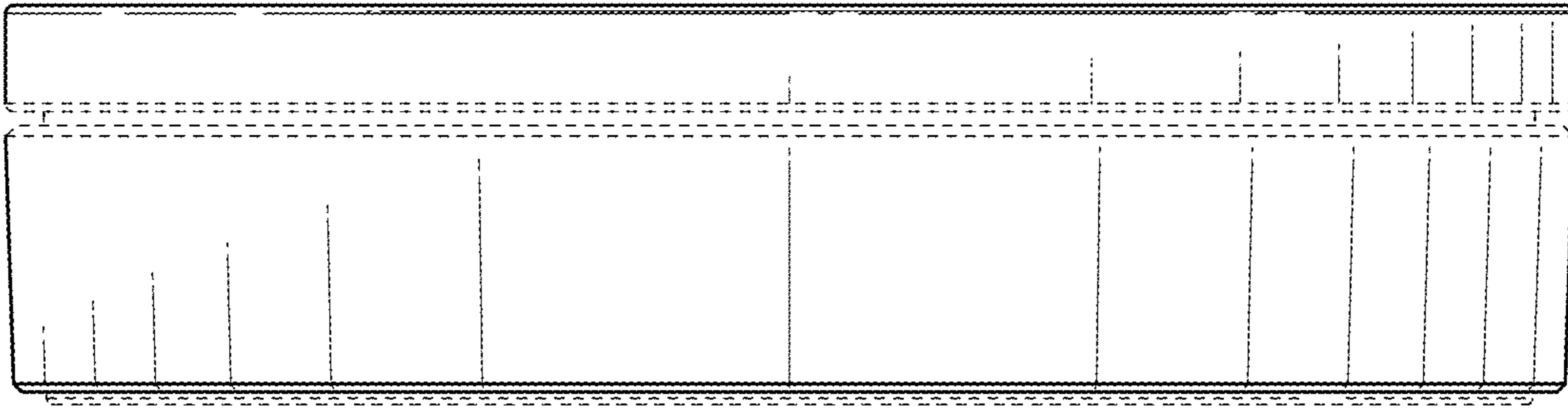


FIG. 2

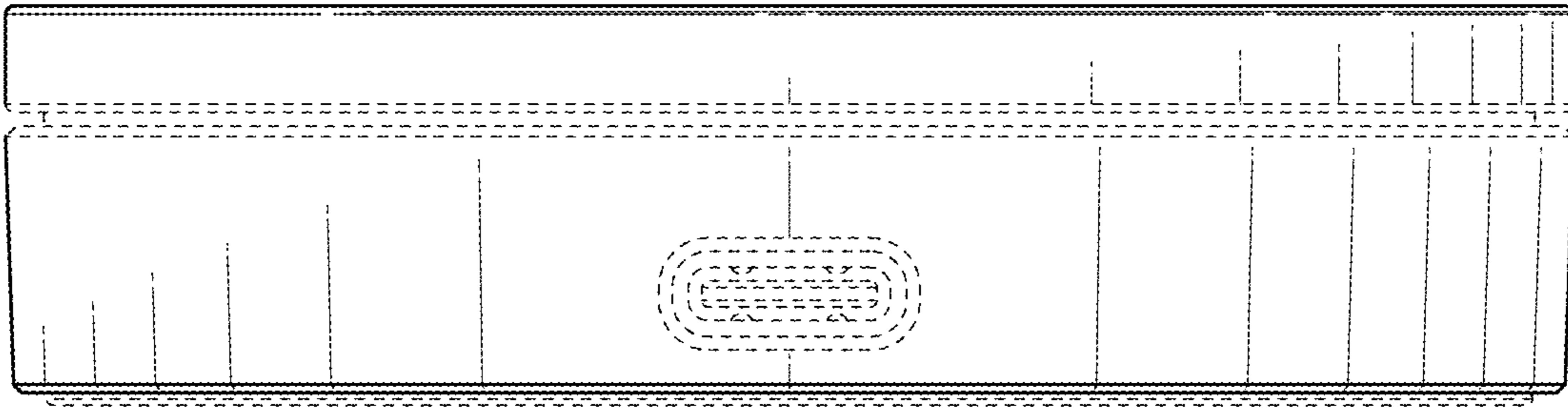


FIG. 3

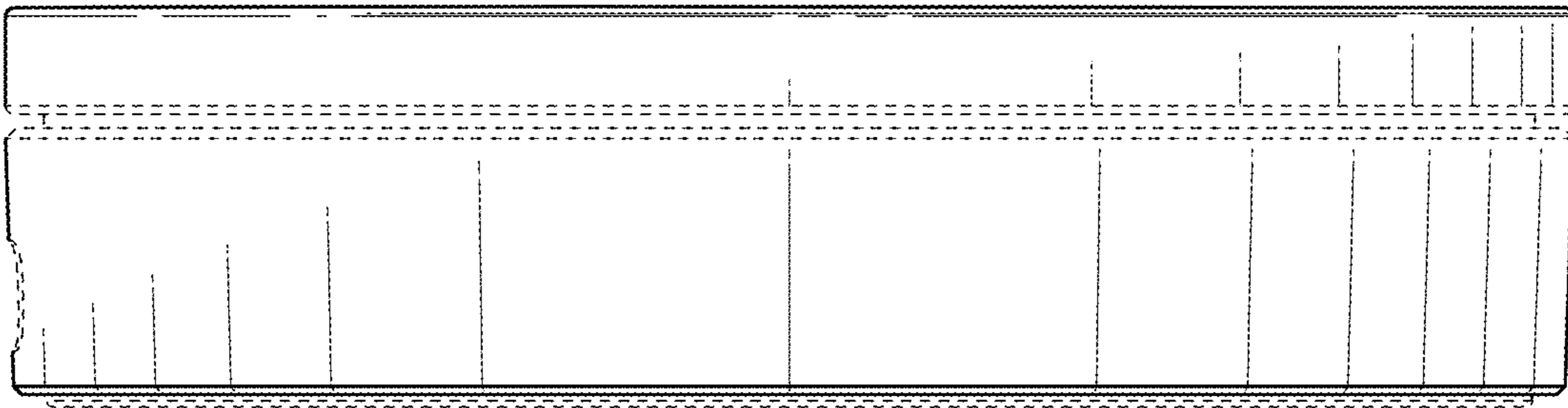


FIG. 4

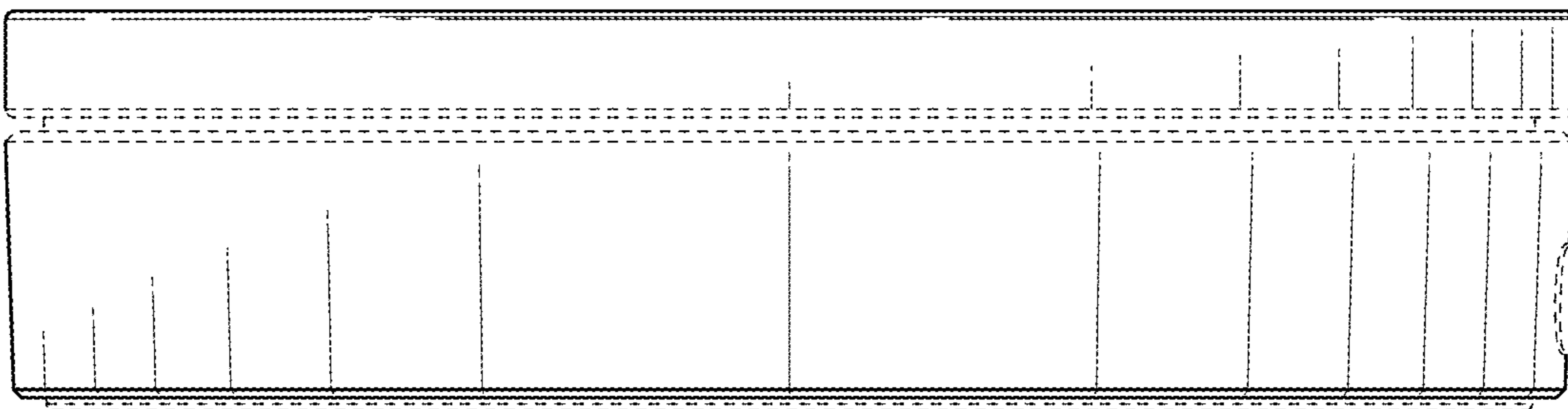


FIG. 5

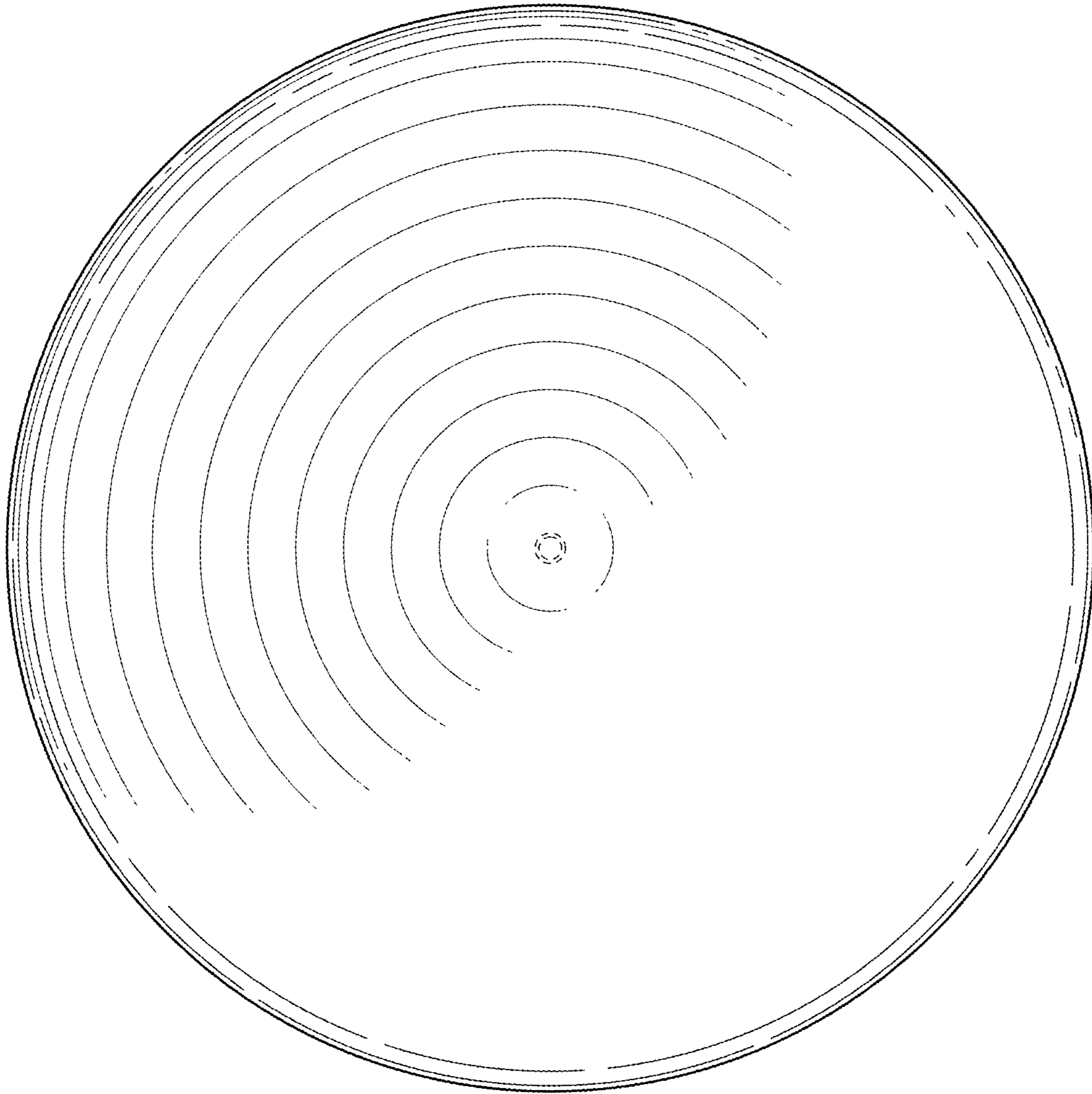


FIG. 6

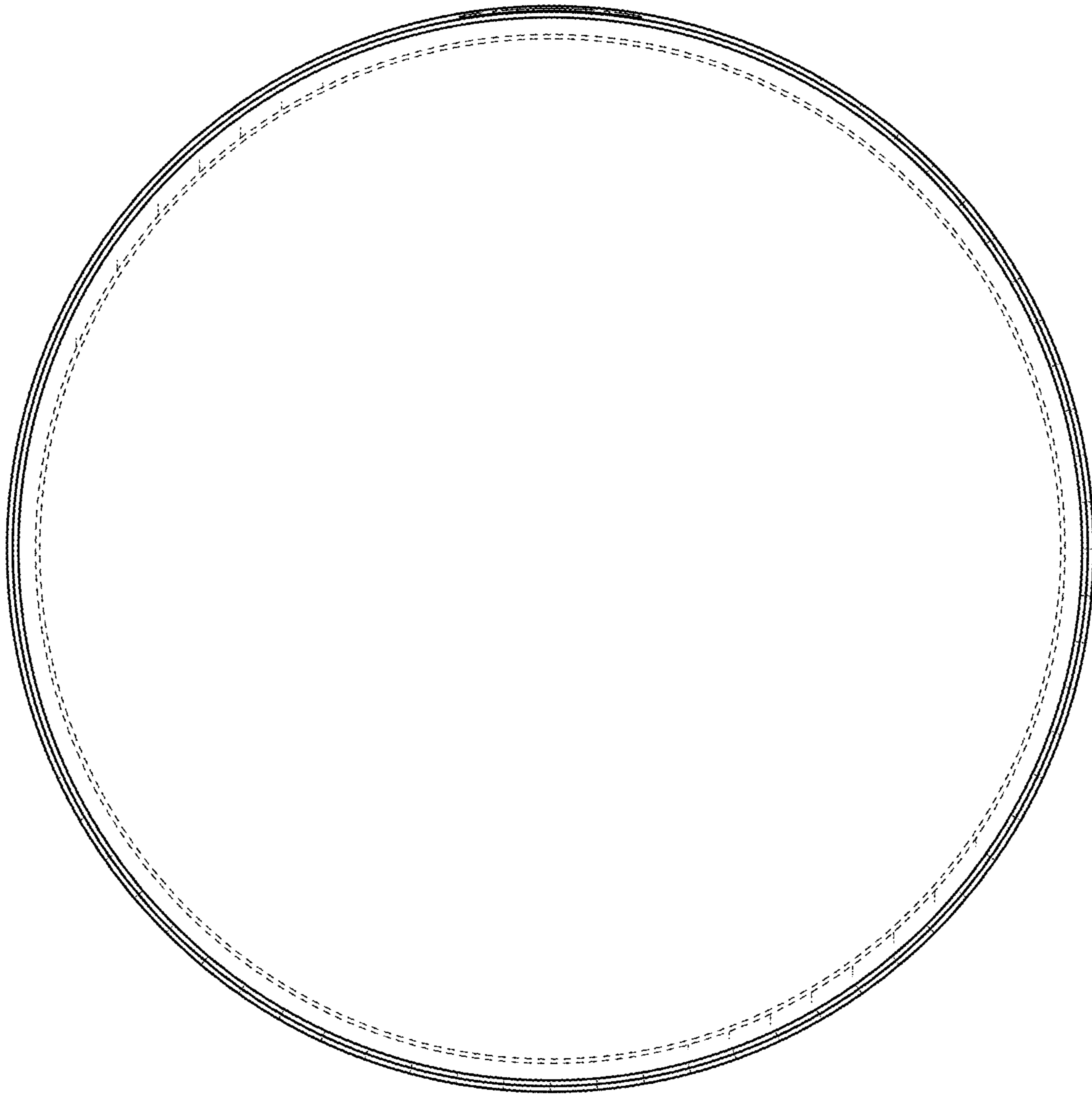


FIG. 7

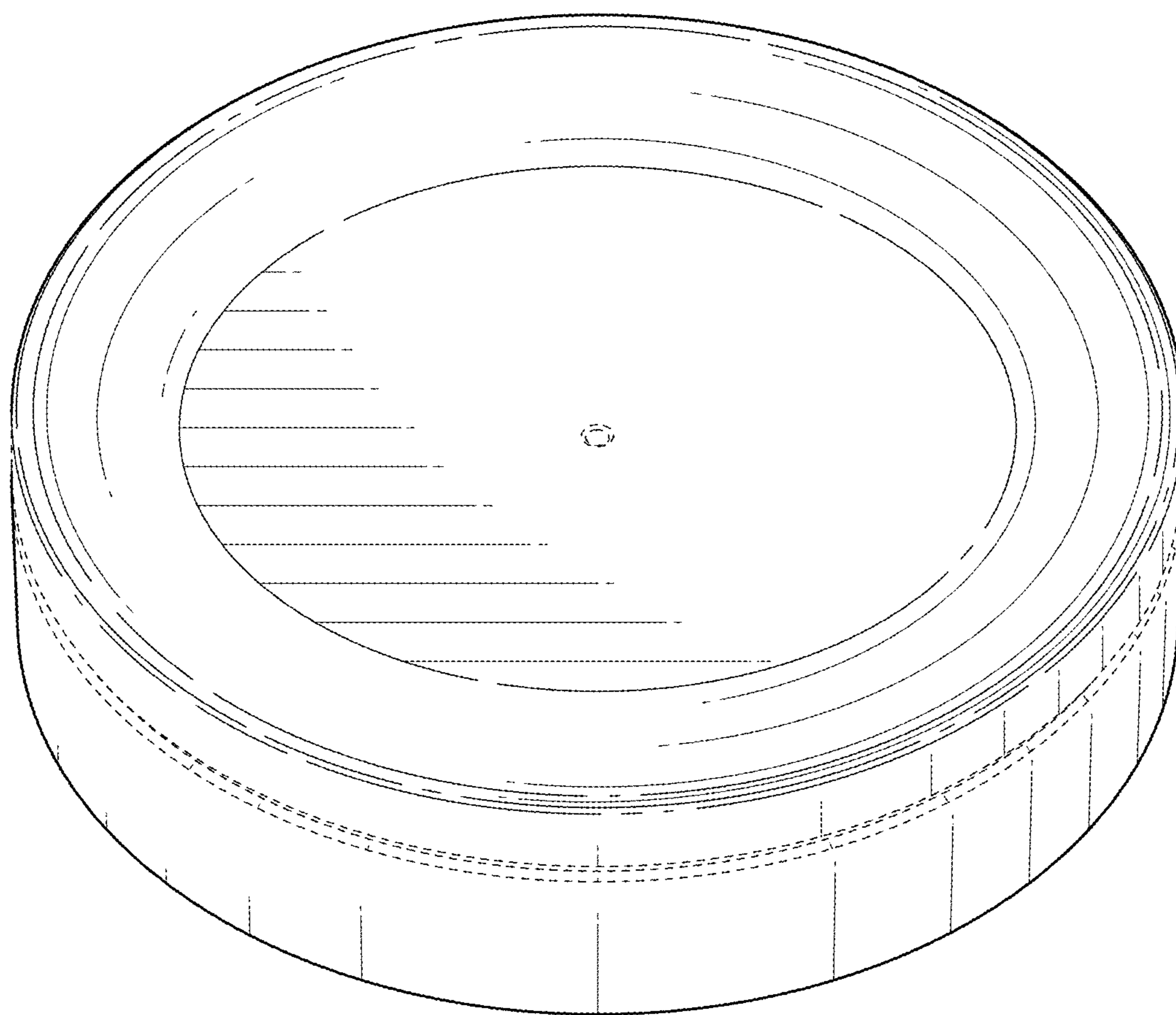


FIG. 8

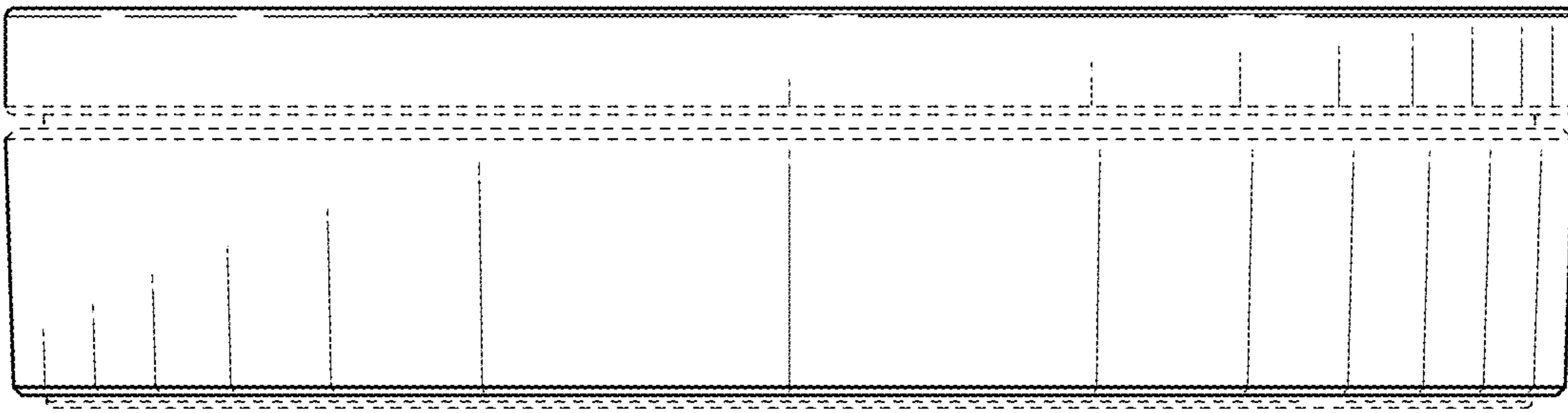


FIG. 9

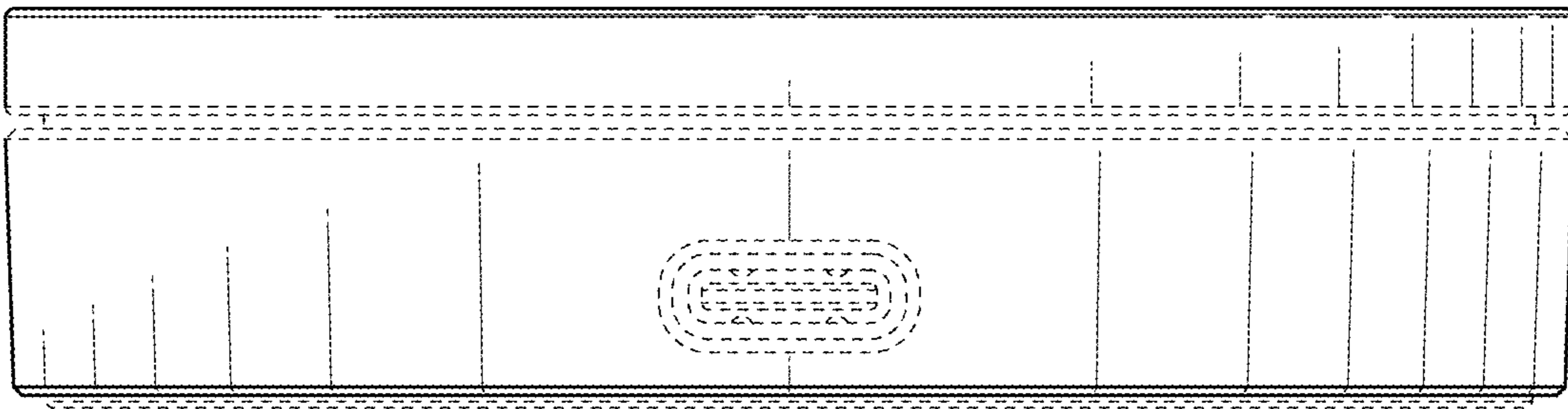


FIG. 10

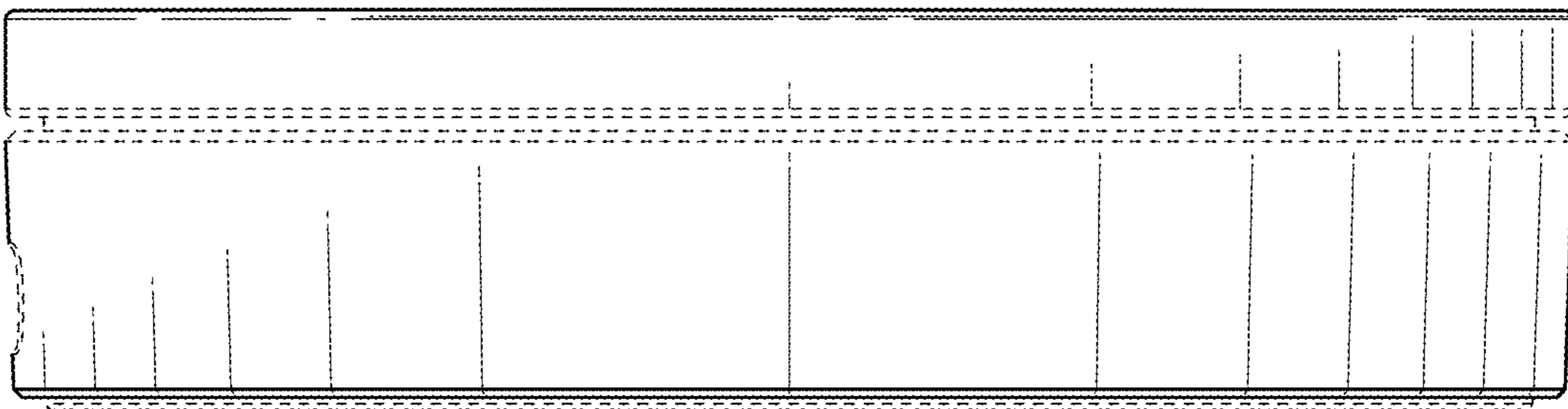


FIG. 11

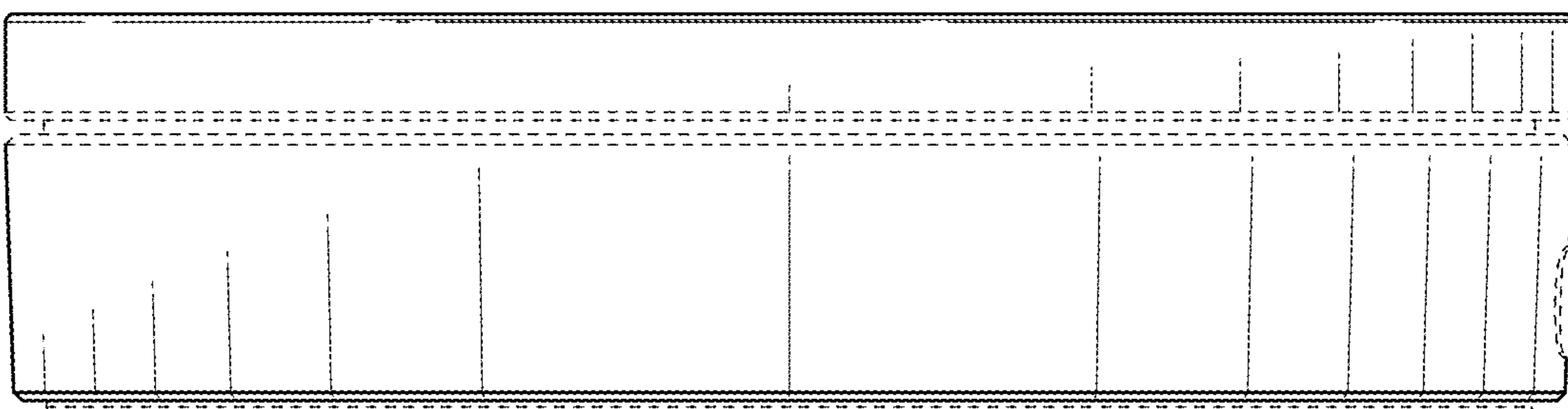


FIG. 12



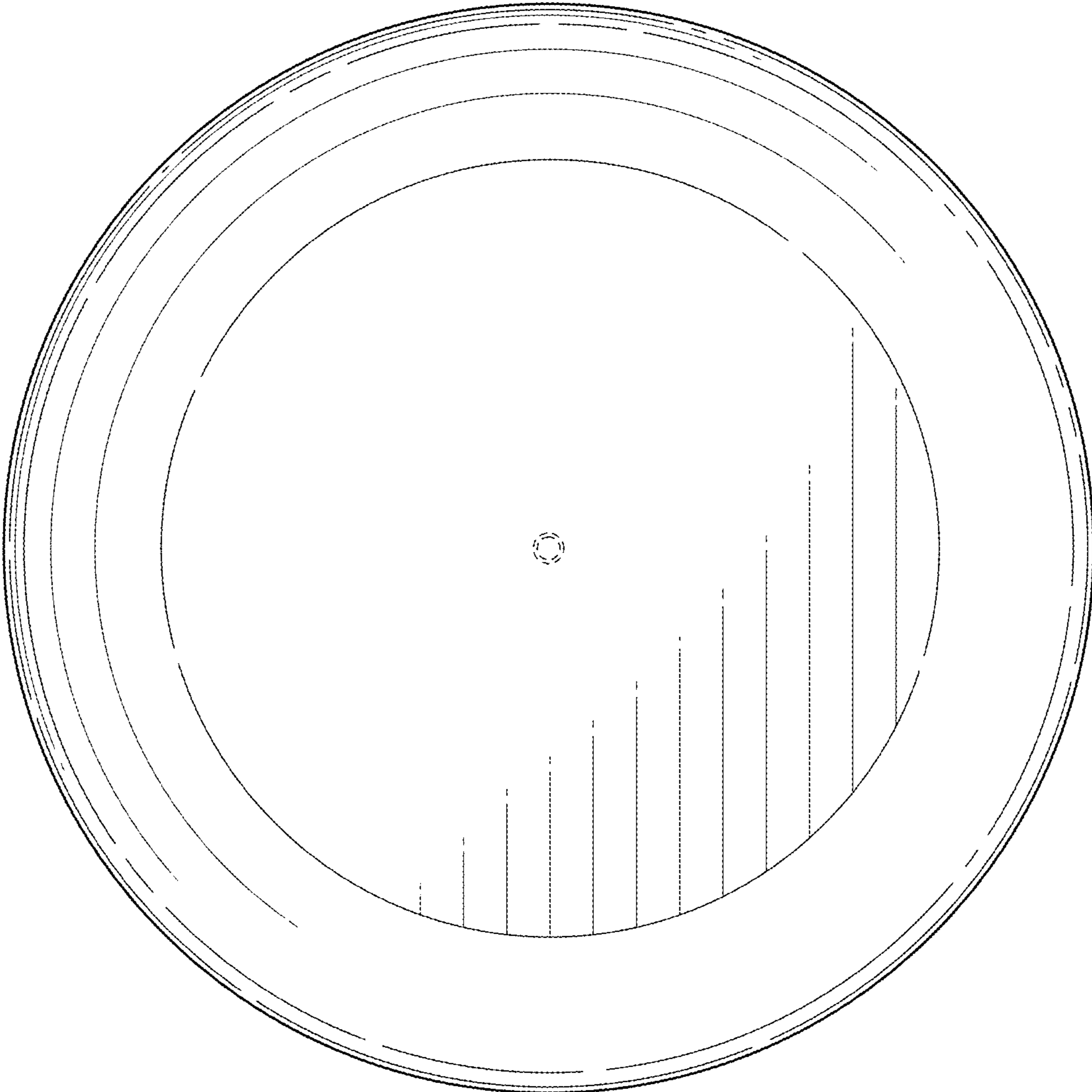


FIG. 13

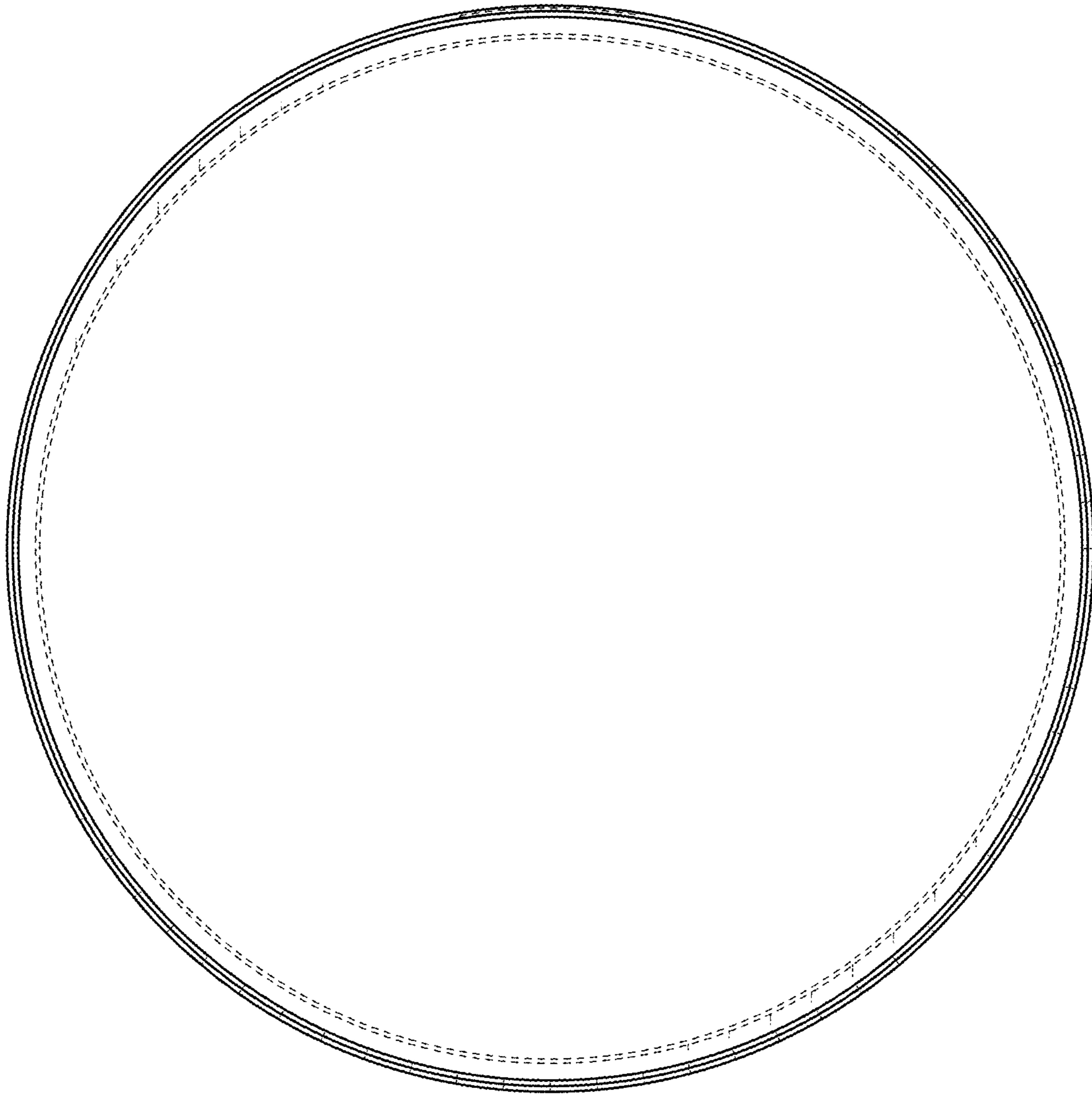


FIG. 14