



US00D877148S

(12) **United States Design Patent**
Wei et al.

(10) **Patent No.:** **US D877,148 S**
(45) **Date of Patent:** **** Mar. 3, 2020**

- (54) **DISPLAY DEVICE**
- (71) Applicant: **HTC Corporation**, Taoyuan (TW)
- (72) Inventors: **Chang-Hua Wei**, Taoyuan (TW);
Shih-Hsiu Lee, Taoyuan (TW);
Yu-Chuan Chang, Taoyuan (TW)
- (73) Assignee: **HTC Corporation**, Taoyuan (TW)
- (**) Term: **15 Years**
- (21) Appl. No.: **29/690,786**
- (22) Filed: **May 10, 2019**

D819,635 S *	6/2018	Miller	D14/372
D819,636 S *	6/2018	Chen	D14/372
D822,659 S *	7/2018	Spio	D14/372
D827,642 S	9/2018	Liu et al.	
D829,208 S *	9/2018	Dallmeyer	D14/372
D831,029 S	10/2018	Gu	
D834,018 S *	11/2018	Wei	D14/372
D838,719 S *	1/2019	Wei	D14/372
D839,871 S *	2/2019	Wei	D14/372
D839,872 S *	2/2019	Wei	D14/372
D856,330 S *	8/2019	Wei	D14/372
D860,200 S *	9/2019	McGinty, Jr.	D14/372

* cited by examiner

Primary Examiner — Austin Murphy

(74) *Attorney, Agent, or Firm* — Birch, Stewart, Kolasch & Birch, LLP

Related U.S. Application Data

- (62) Division of application No. 29/631,267, filed on Dec. 28, 2017, now Pat. No. Des. 856,330.
- (51) **LOC (12) Cl.** **14-02**
- (52) **U.S. Cl.**
USPC **D14/372**
- (58) **Field of Classification Search**
USPC D14/372, 496, 432, 371, 125, 126, 129,
D14/299; D16/300–342; 351/158, 153,
351/144; 345/7–9, 905; 455/344;
348/115, 53, 121, 739
CPC G02B 27/017; G02B 27/0158; G02B
27/0161; G02B 27/0181; G02B 27/0185;
G02B 27/0189
See application file for complete search history.

(56) **References Cited**

U.S. PATENT DOCUMENTS

D810,743 S *	2/2018	Yee	D14/372
D815,637 S *	4/2018	Li	D14/372
D819,634 S *	6/2018	Pang	D14/372

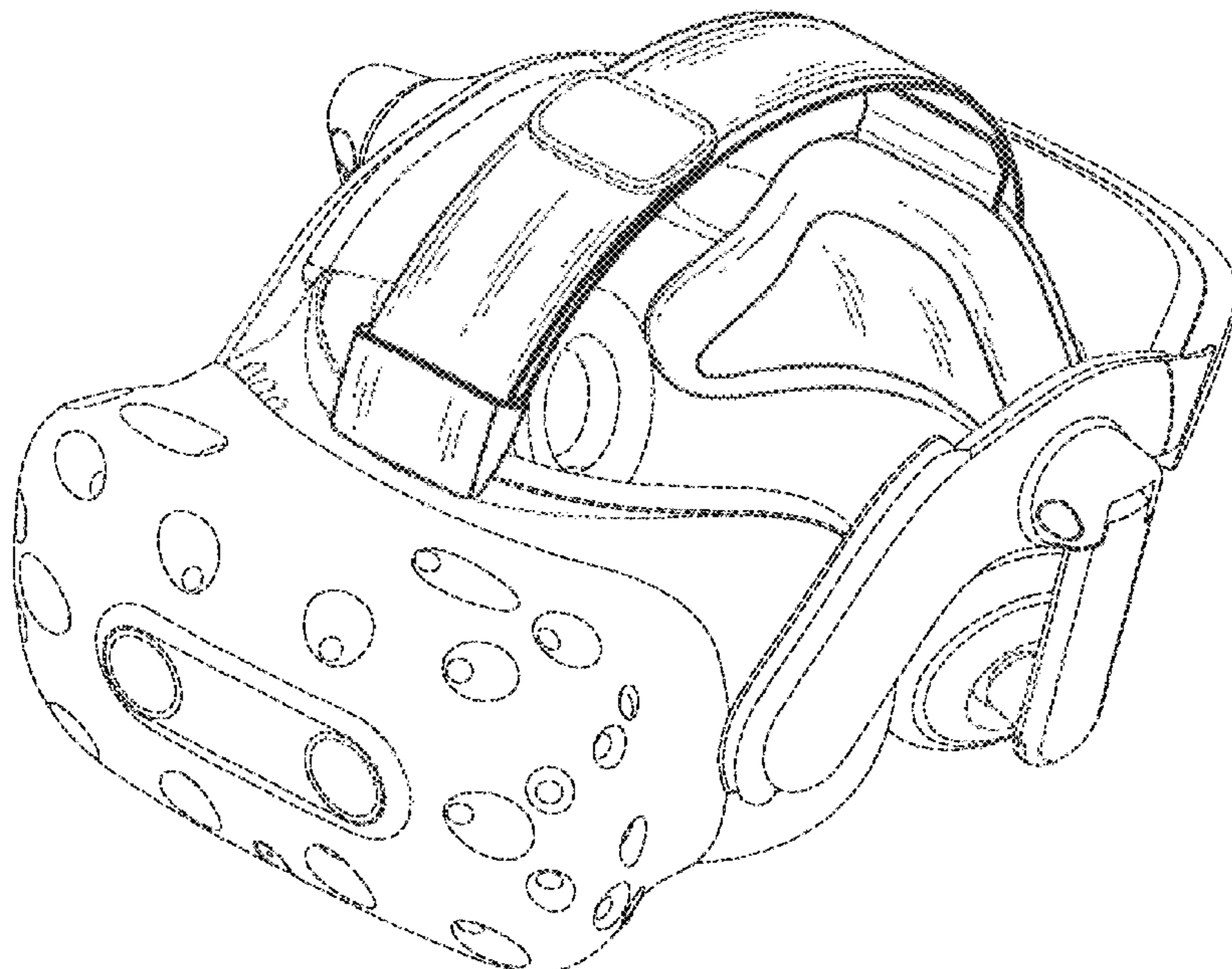
(57) **CLAIM**

The ornamental design for display device, as shown and described.

DESCRIPTION

FIG. 1 is a top perspective view of a display device showing our new design;
 FIG. 2 is a front elevation view thereof;
 FIG. 3 is a rear elevation view thereof;
 FIG. 4 is a left elevation view thereof;
 FIG. 5 is a right elevation view thereof;
 FIG. 6 is a top plan view thereof;
 FIG. 7 is a bottom plan view thereof; and,
 FIG. 8 is bottom perspective view thereof.
 The broken lines immediately adjacent the claimed areas represent the bounds of the claimed design while all other broken lines are directed to environment and are for illustrative purposes only. The broken lines form no part of the claimed design.

1 Claim, 6 Drawing Sheets



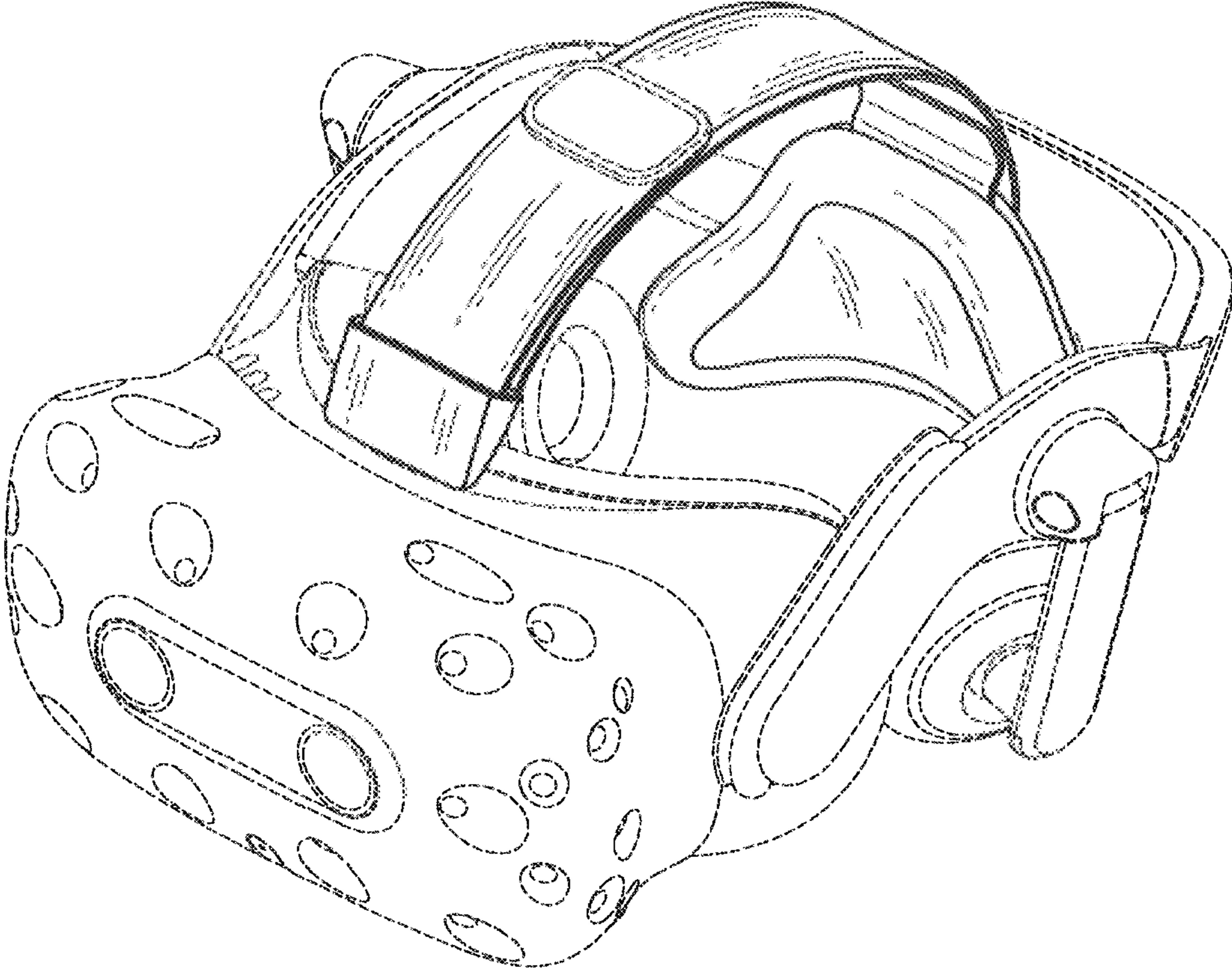


FIG. 1

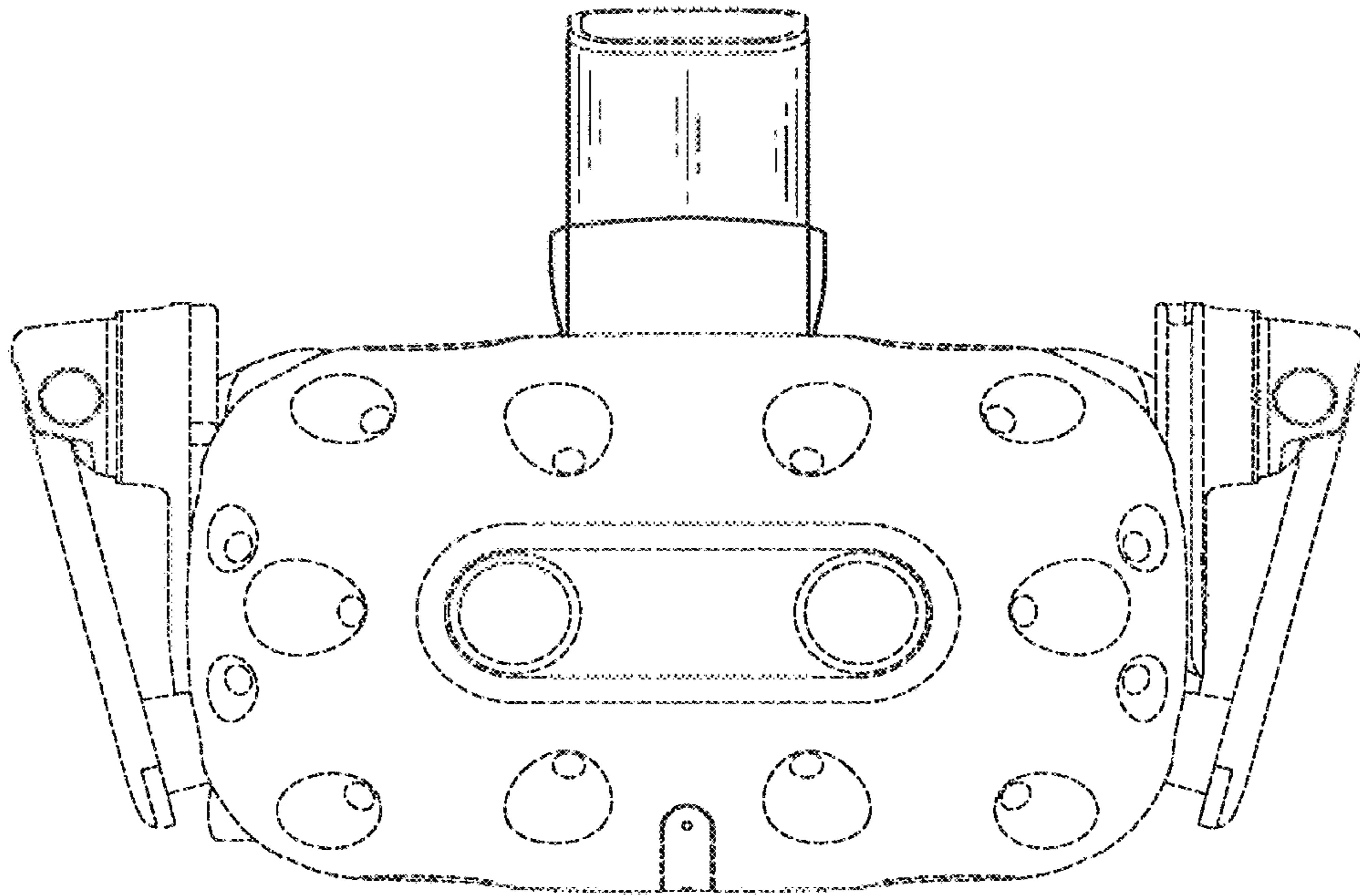


FIG. 2

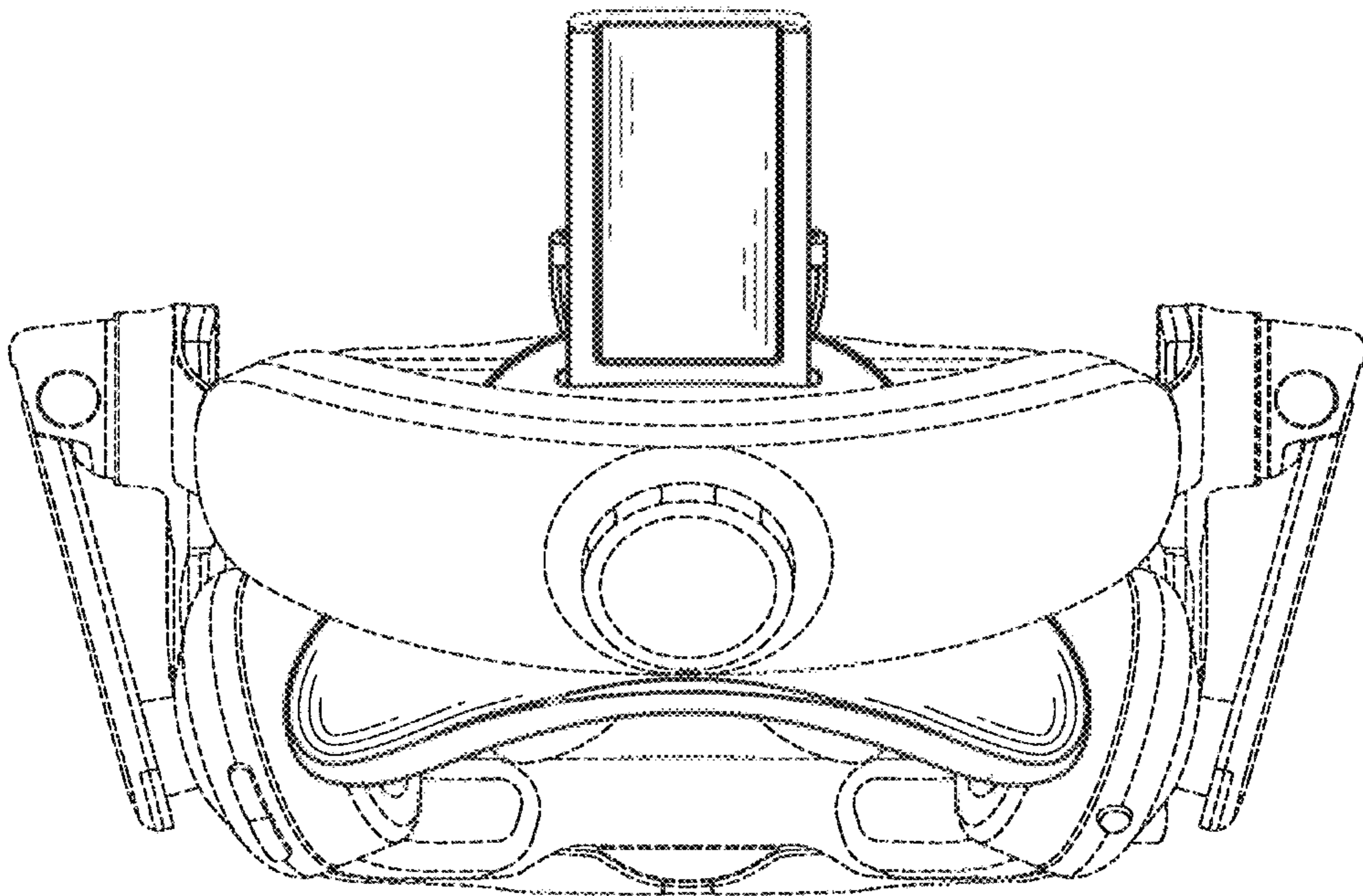


FIG. 3

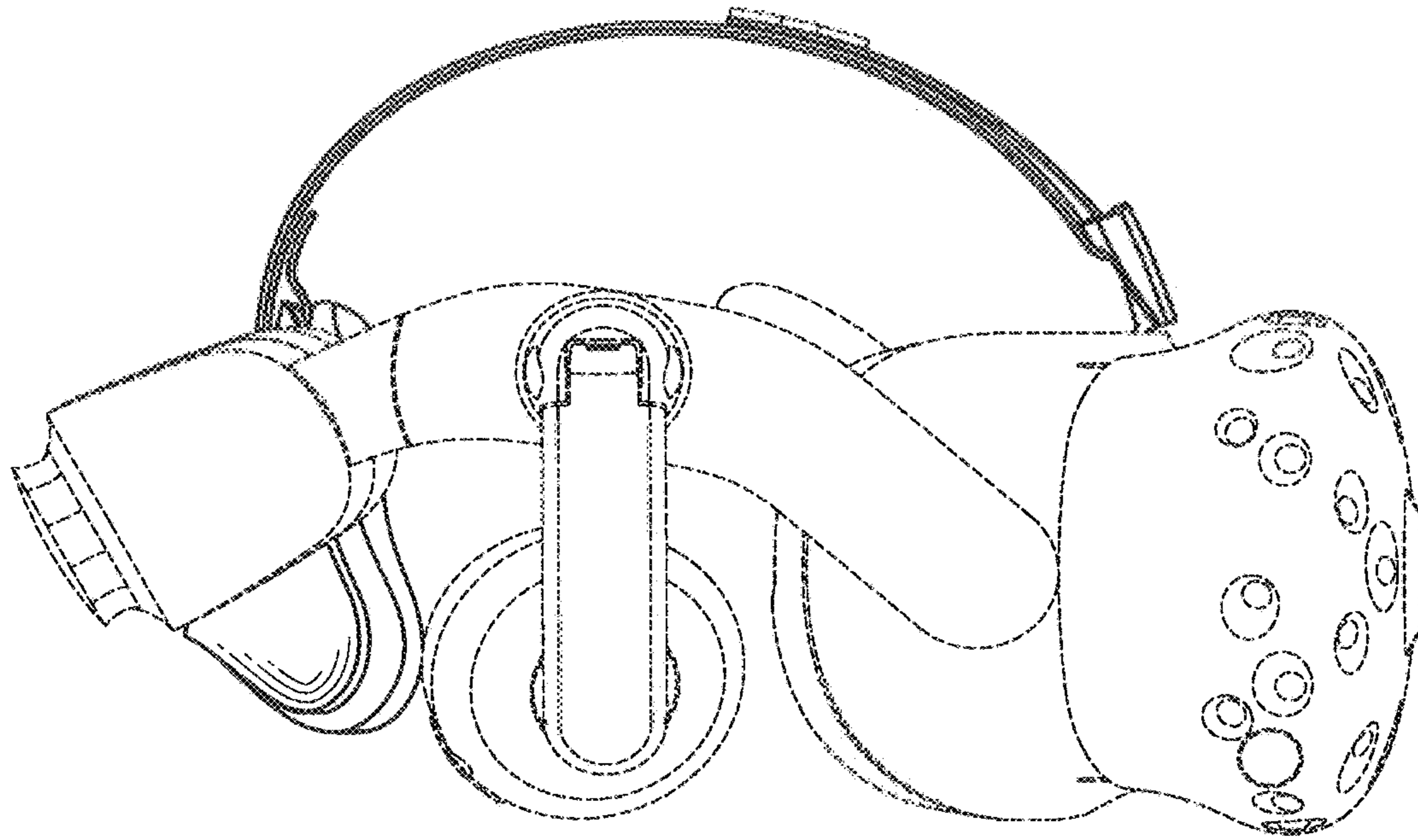


FIG. 4

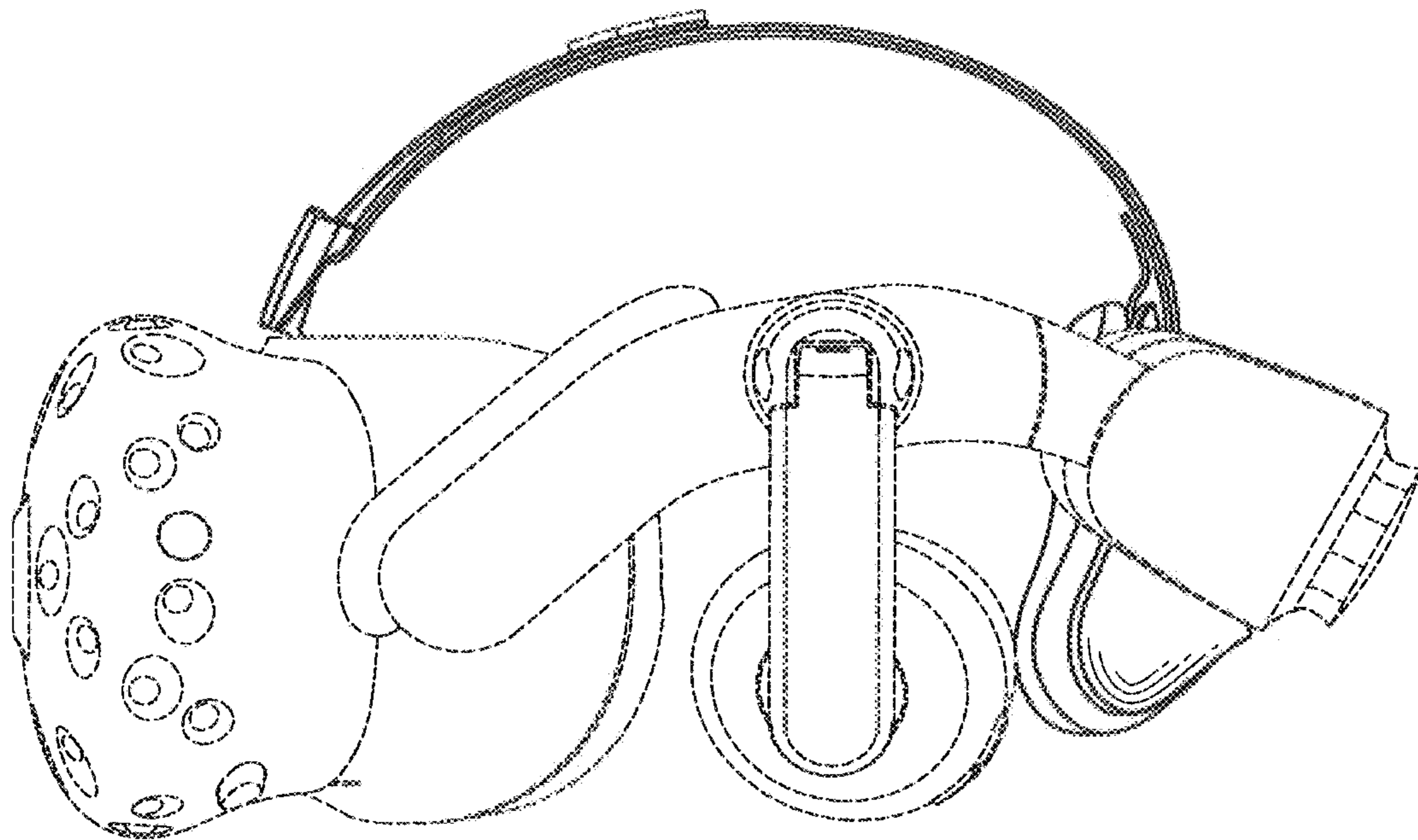


FIG. 5

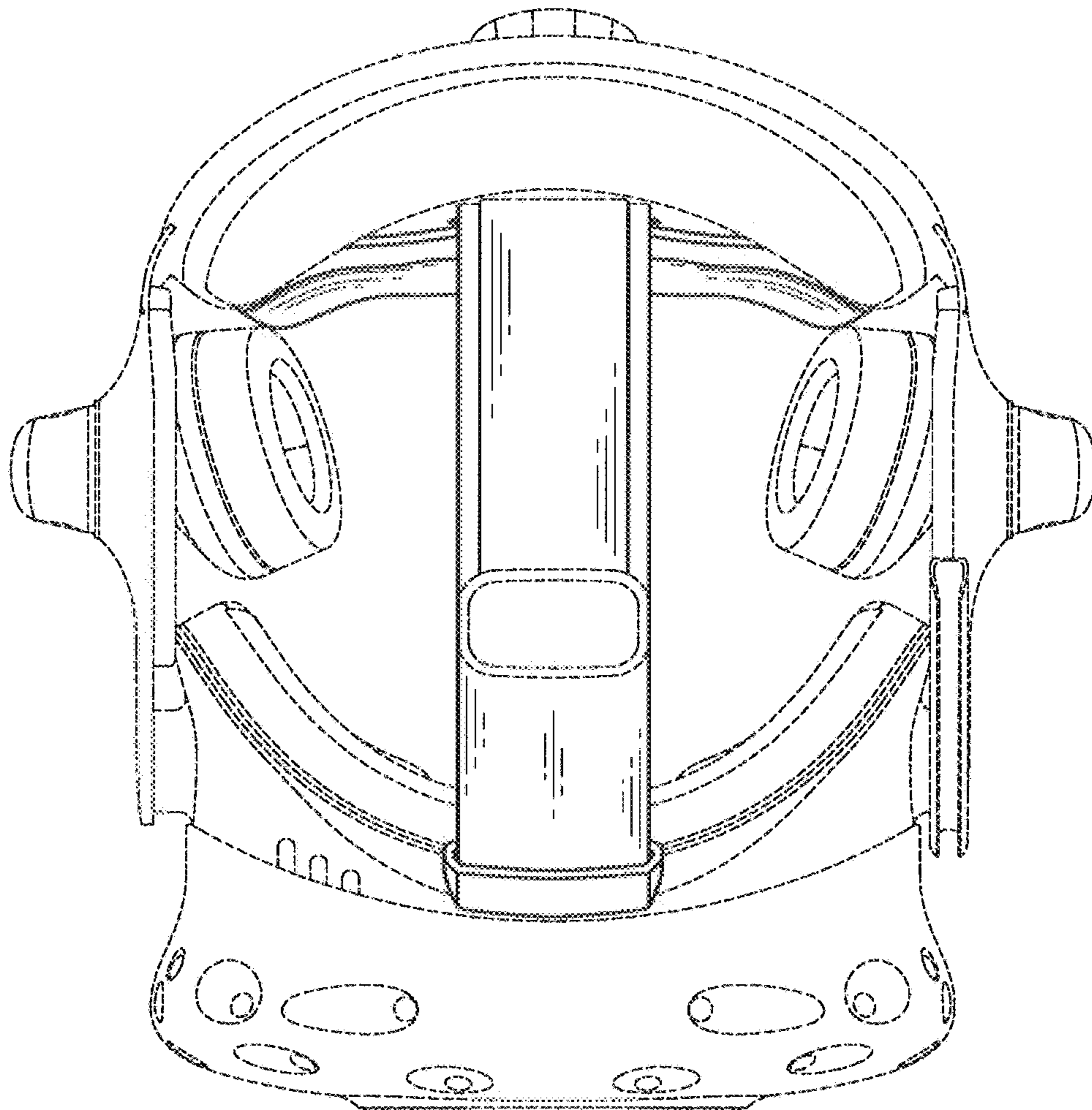


FIG. 6

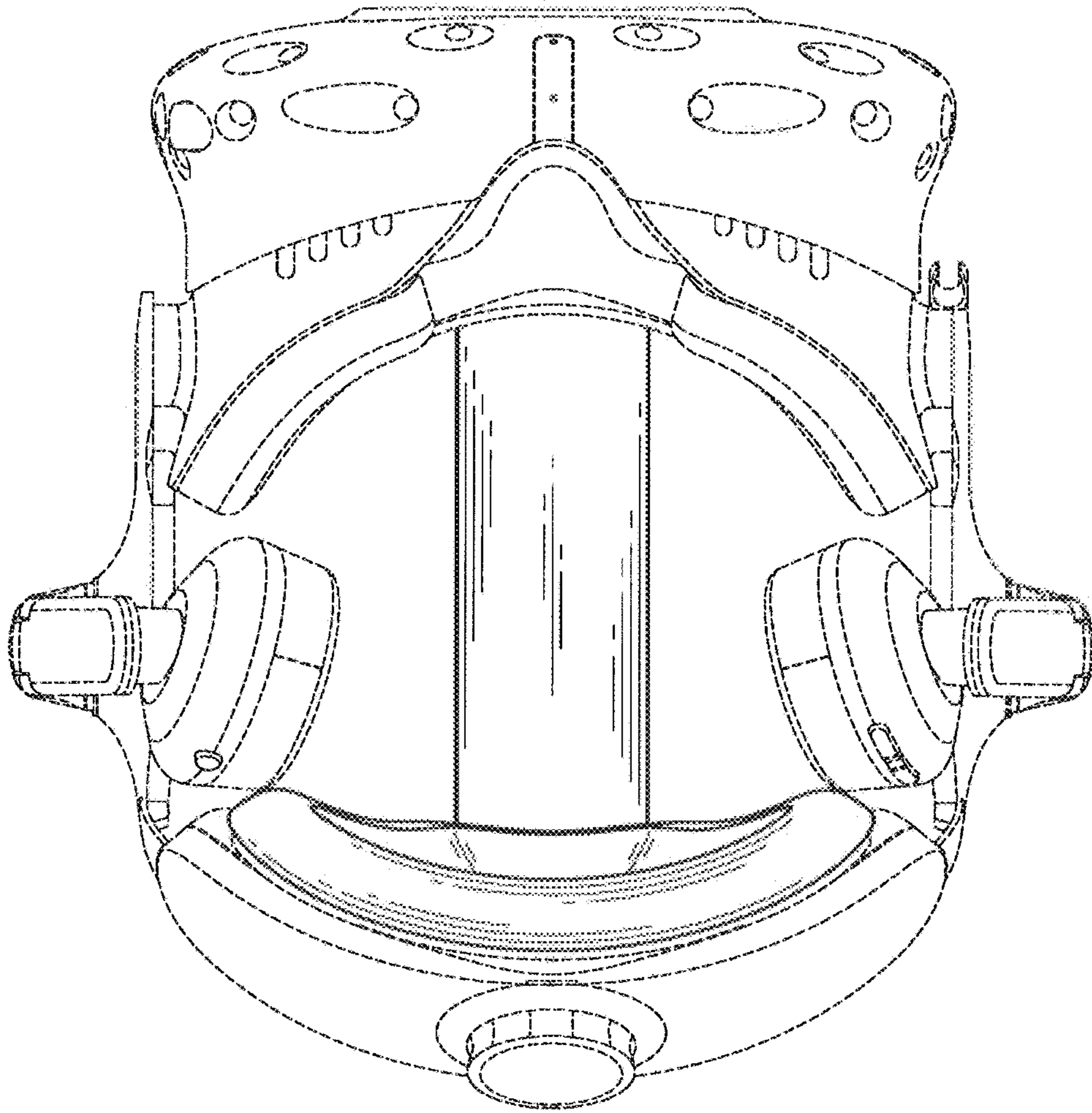


FIG. 7

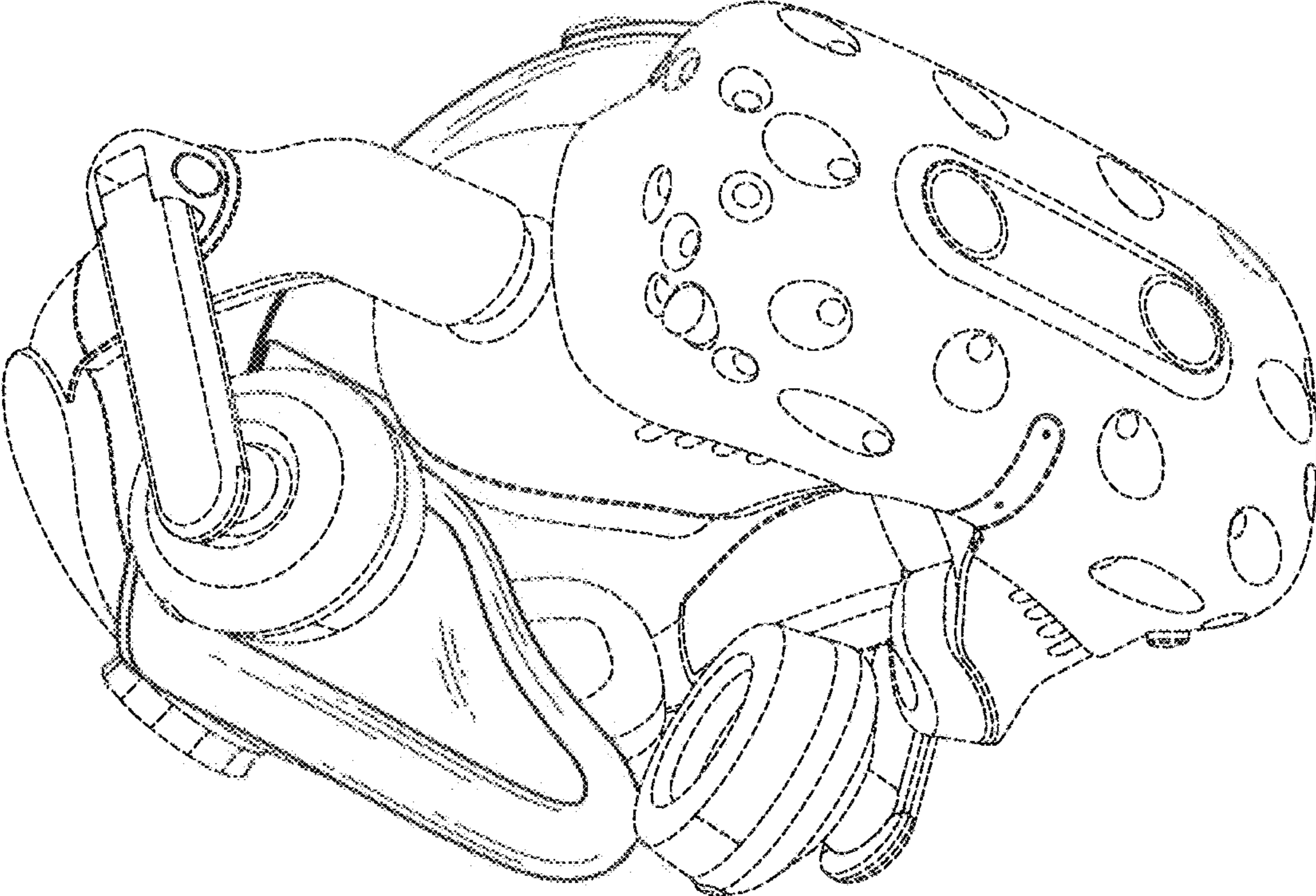


FIG. 8