



US00D877147S

(12) **United States Design Patent** (10) **Patent No.:** **US D877,147 S**
Asamizu et al. (45) **Date of Patent:** **** Mar. 3, 2020**

(54) **IMAGE DISPLAY**

(71) Applicant: **Sakai Display Products Corporation**, Sakai-shi, Osaka (JP)

(72) Inventors: **Tomohiro Asamizu**, Sakai (JP); **Yusuke Miyake**, Sakai (JP); **Noriaki Miyoshi**, Sakai (JP); **Tomoaki Oya**, Sakai (JP)

(73) Assignee: **Sakai Display Products Corporation**, Sakai-shi, Osaka (JP)

(**) Term: **15 Years**

(21) Appl. No.: **29/629,628**

(22) Filed: **Dec. 14, 2017**

Related U.S. Application Data

(63) Continuation-in-part of application No. 29/512,886, filed on Dec. 23, 2014, now abandoned.

(30) **Foreign Application Priority Data**

Jul. 4, 2014 (JP) 2014-014792
 Jul. 4, 2014 (JP) 2014-014793
 Jul. 4, 2014 (JP) 2014-014794

(51) **LOC (12) Cl.** **14-02**

(52) **U.S. Cl.**
USPC **D14/371**

(58) **Field of Classification Search**
USPC D14/349, 351-355, 359, 440-441, 444, D14/446, 356-358, 348, 371, 363, 442, D14/478; D9/424-433; 206/706-709, 206/722-725; D3/315-316; 361/679.31; D13/107

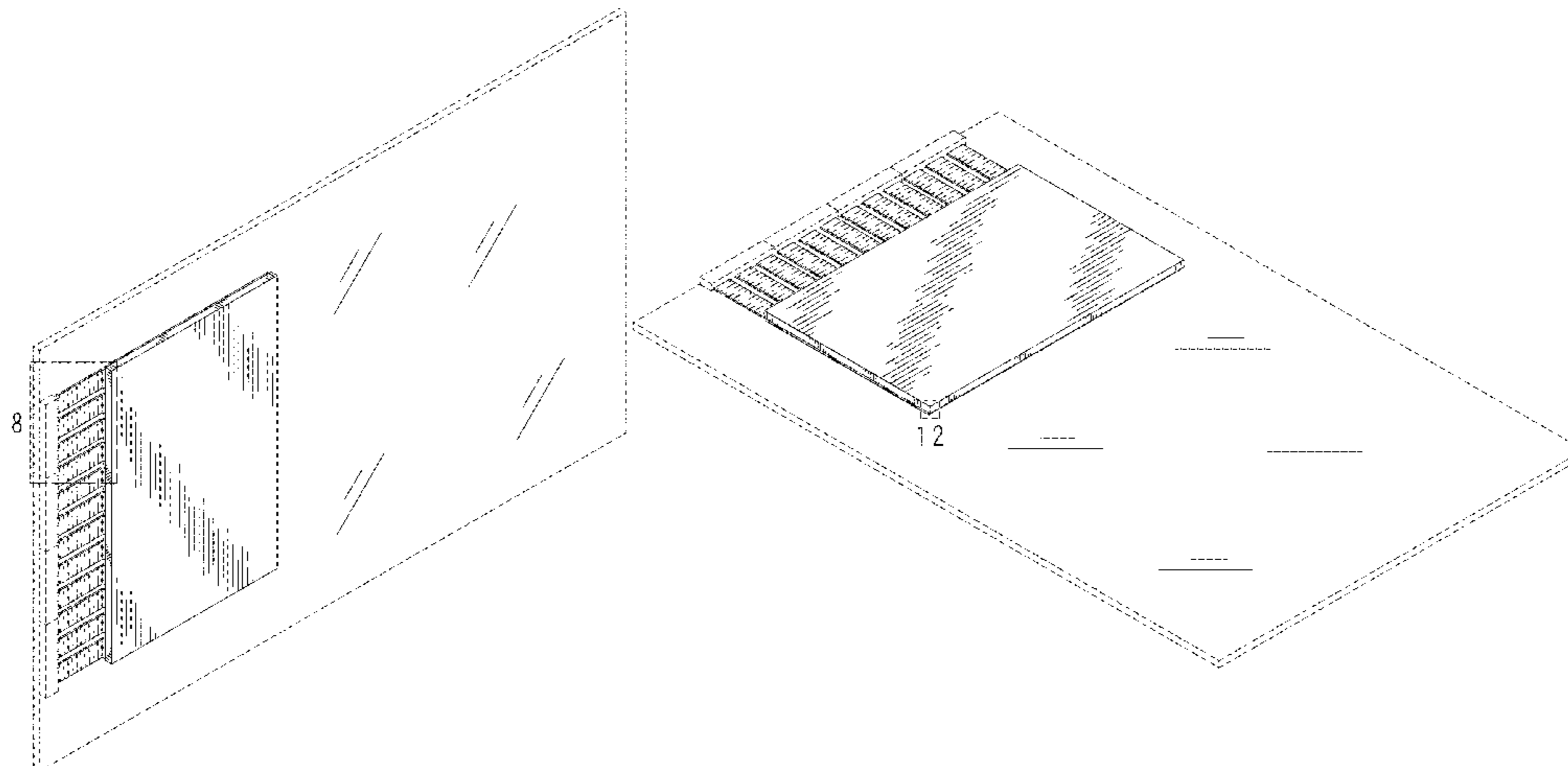
CPC G06F 1/20; H05K 5/00; H05K 5/0213; H05K 5/03; H05K 1/144; G02F 1/133611; G02F 1/133603; G02F 2001/133607; G02F 2001/133613

See application file for complete search history.

(56) **References Cited**

U.S. PATENT DOCUMENTS

1,408,344	A	2/1922	Tamsett	
D452,494	S *	12/2001	Sodling	D14/242
D460,056	S	7/2002	Niitsu	
D515,586	S *	2/2006	Cuellar	D14/436
D515,587	S *	2/2006	Cuellar	D14/436
D517,559	S *	3/2006	Yu	D14/436
D518,059	S *	3/2006	Cuellar	D14/436
D540,275	S	4/2007	Lewis	
D542,243	S	5/2007	Lewis	
7,306,160	B2 *	12/2007	Takiar	G06K 13/0825 235/441
7,307,848	B2 *	12/2007	Takiar	G06K 19/077 361/736
D564,990	S	3/2008	Ueno	
7,455,441	B2	11/2008	Chosa et al.	
7,466,484	B2	12/2008	Mi et al.	
7,478,940	B2	1/2009	Zhu et al.	
D606,953	S	12/2009	Shin et al.	
D610,562	S	2/2010	Chien	
D615,509	S	5/2010	Song et al.	
7,940,353	B2	5/2011	Tanaka	
8,054,402	B2	11/2011	Chang et al.	
8,094,261	B2	1/2012	Fujita et al.	
D656,914	S	4/2012	Shin et al.	
D669,479	S *	10/2012	Lepp	D14/436
8,276,862	B2	10/2012	Eshita et al.	
8,292,488	B2	10/2012	Ohfuku et al.	
8,421,955	B2	4/2013	Kubota et al.	
8,421,995	B2	4/2013	Kelkar	
8,469,576	B2 *	6/2013	Kim	G02B 6/008 349/61
D690,672	S *	10/2013	Yoshida	D13/182
8,547,501	B2 *	10/2013	Ha	G02B 5/02 349/61
8,608,334	B2	12/2013	Sanders	
8,752,995	B2	6/2014	Park	
8,760,603	B2	6/2014	Kweon et al.	
8,866,373	B2 *	10/2014	Lee	C09K 11/7734 313/501
8,918,442	B2	12/2014	Liberty et al.	
D722,033	S	2/2015	Kim	
D733,419	S	7/2015	Wikner et al.	
D734,755	S *	7/2015	Kim	D14/435
D735,202	S *	7/2015	Kim	D14/435
D735,203	S *	7/2015	Kim	D14/435
D735,204	S *	7/2015	Kim	D14/435
9,087,669	B2 *	7/2015	Shives	G02F 1/133385
D736,169	S	8/2015	Kim	
D737,234	S	8/2015	Kim	



D744,442	S	12/2015	Kim et al.	
9,223,081	B2	12/2015	Oh et al.	
9,235,082	B2*	1/2016	Shin	G02F 1/133603
D762,599	S	8/2016	Moon et al.	
D763,212	S	8/2016	Moon et al.	
D772,833	S	11/2016	Han et al.	
9,709,252	B2*	7/2017	Park	F21V 21/00
9,733,413	B2*	8/2017	Park	G02F 1/133606
D813,832	S	3/2018	Kim et al.	
D823,823	S	7/2018	Kim et al.	
D824,355	S	7/2018	Kim et al.	
D826,200	S	8/2018	Kim et al.	
D837,786	S	1/2019	Okumura et al.	
D838,253	S*	1/2019	Asamizu	D14/126
10,197,855	B2*	2/2019	Cho	G02F 1/133621
2001/0025721	A1*	10/2001	Maeda	G06K 19/072 174/250
2005/0013106	A1*	1/2005	Takiar	G06K 19/077 361/679.31
2006/0085583	A1*	4/2006	Yu	G06K 19/07 710/301
2007/0228536	A1*	10/2007	Aoki	G06K 19/077 257/678
2012/0140142	A1*	6/2012	Lee	G02F 1/0136 349/61
2013/0013836	A1*	1/2013	Pinto	G06F 13/409 710/301
2013/0258250	A1*	10/2013	Jung, II	G02F 1/133528 349/65
2013/0293809	A1*	11/2013	Kuroda	G02F 1/136286 349/61
2014/0009913	A1*	1/2014	Ha	G02B 5/02 362/97.1
2014/0127947	A1*	5/2014	Han	G06K 19/07739 439/630
2015/0124482	A1	5/2015	Kuromizu	
2015/0286097	A1*	10/2015	Lee	G02F 1/133617 349/61
2016/0062183	A1*	3/2016	Sung	G02F 1/133514 349/71
2016/0085020	A1	3/2016	Kuromizu	
2016/0161668	A1	6/2016	Bierhuizen	
2016/0170236	A1	6/2016	Whitehead et al.	
2016/0195770	A1	7/2016	Fukai	
2016/0252233	A1	9/2016	Han et al.	
2018/0164621	A1	6/2018	Fukai	
2018/0188591	A1*	7/2018	Park	G02F 1/133504
2018/0313997	A1	11/2018	Murata et al.	
2018/0356586	A1*	12/2018	La	G02B 6/0088
2019/0004363	A1*	1/2019	Yokota	G02F 1/133308
2019/0041684	A1*	2/2019	Imaoku	G02F 1/133308
2019/0056623	A1*	2/2019	Seo	G02F 1/133615
2019/0086728	A1	3/2019	Lee et al.	
2019/0094616	A1*	3/2019	Kim	G02F 1/133605
2019/0094619	A1*	3/2019	Park	H01L 25/13
2019/0121199	A1*	4/2019	Lin	G02F 1/133603
2019/0129249	A1*	5/2019	Lee	G09G 3/3406
2019/0137825	A1*	5/2019	Kim	G02F 1/133606
2019/0163015	A1*	5/2019	Ko	G02F 1/133553
2019/0164516	A1	5/2019	Takahashi	
2019/0249289	A1*	8/2019	Sakio	C23C 14/042
2019/0281710	A1*	9/2019	Lee	H05K 5/0069

FOREIGN PATENT DOCUMENTS

CN	303358275	*	9/2015
JP	D1288938	*	12/2006
JP	D1521284	*	4/2018
JP	D1524725	*	5/2018

JP	D1540624	S	12/2018
KR	300904103.0000	*	4/2017
KR	300764325.0000	*	10/2017

OTHER PUBLICATIONS

ITO Glass Substrates, Ossila, ossila.com, author not listed, published on Jun. 3, 2015 per wayback machine © 2019 Ossila, online, site visited Jun. 14, 2019. Available from Internet, URL: <https://www.ossila.com/products/pixelated-cathode-substrates> (Year: 2015).
Notice of Allowance dated Sep. 10, 2018, for related U.S. Appl. No. 29/629,632.

Office Action dated Nov. 16, 2016, for U.S. Appl. No. 29/512,886, 4 pages.

Office Action dated May 4, 2017, for U.S. Appl. No. 29/512,886, 14 pages.

Final Office Action dated Aug. 17, 2017, for U.S. Appl. No. 29/512,886, 7 pages.

Office Action for U.S. Appl. No. 29/629,630 dated Jun. 27, 2019, 11 pages.

* cited by examiner

Primary Examiner — Marissa J Cash

Assistant Examiner — Altaira J Swangin

(74) *Attorney, Agent, or Firm* — Edward J. Baba; Bret E. Field; Bozicevic, Field & Francis LLP

(57) CLAIM

The ornamental design for image display, as shown and described.

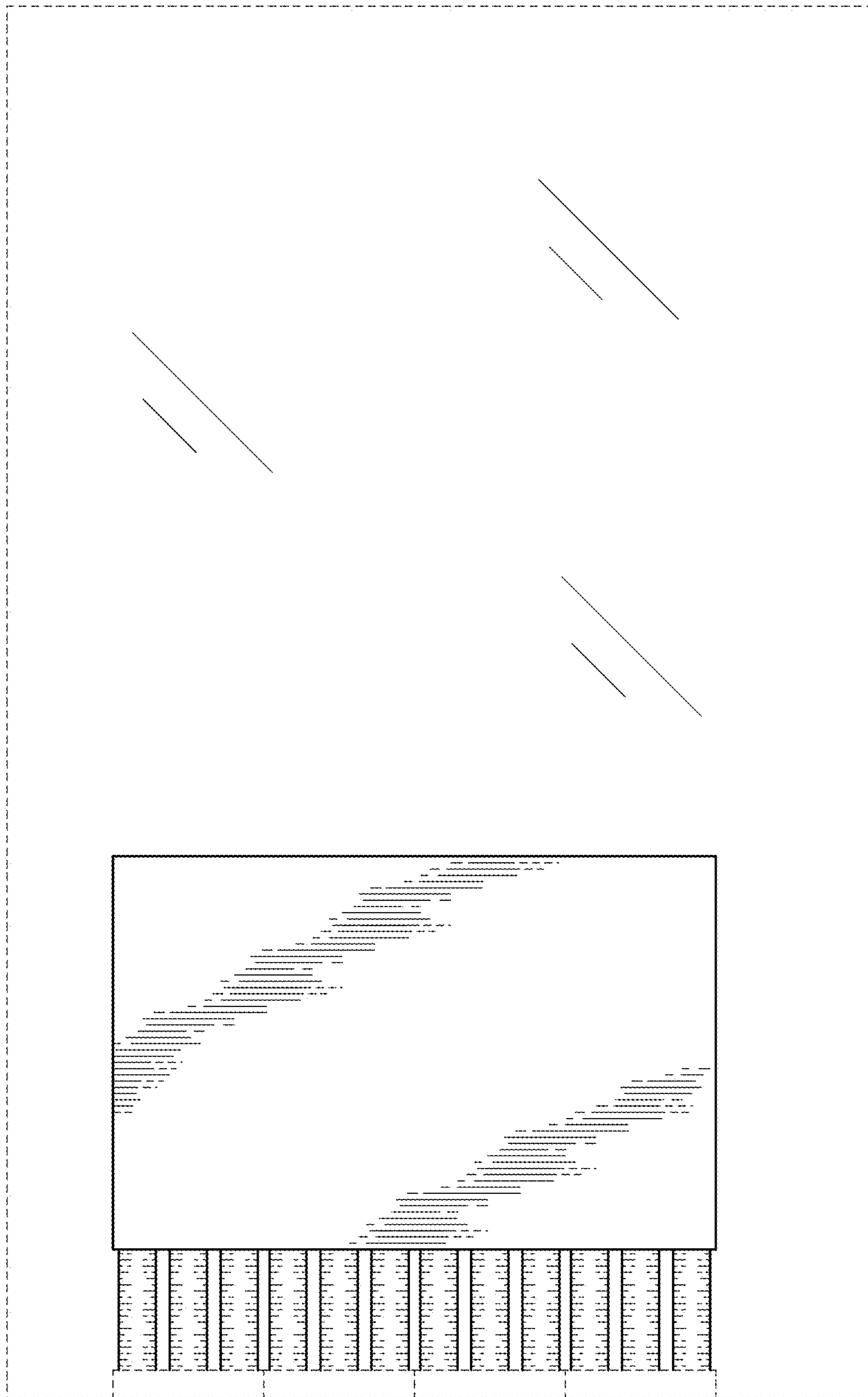
DESCRIPTION

FIG. 1 is a front view;
FIG. 2 is a back view;
FIG. 3 is a left side view;
FIG. 4 is a right side view;
FIG. 5 is a top view;
FIG. 6 is a bottom view;
FIG. 7 is a top, front, left perspective view;
FIG. 8 is an enlarged, front, left perspective view of FIG. 7, taken along the annotation line 8-8;
FIG. 9 is a top, front, right perspective view;
FIG. 10 is an enlarged, front, right perspective view of FIG. 9, taken along the annotation line 10-10;
FIG. 11 is a bottom, front, right perspective view; and,
FIG. 12 is an enlarged, front, right perspective view of FIG. 11, taken along the annotation line 12-12.

In the drawings, the short-dash broken lines depict environmental subject matter only and form no part of the claimed design. The long-dash broken lines are for annotation purposes, indicating the point at which the enlarged views are cut off, and form no part of the claimed design.

1 Claim, 12 Drawing Sheets

FIG. 1



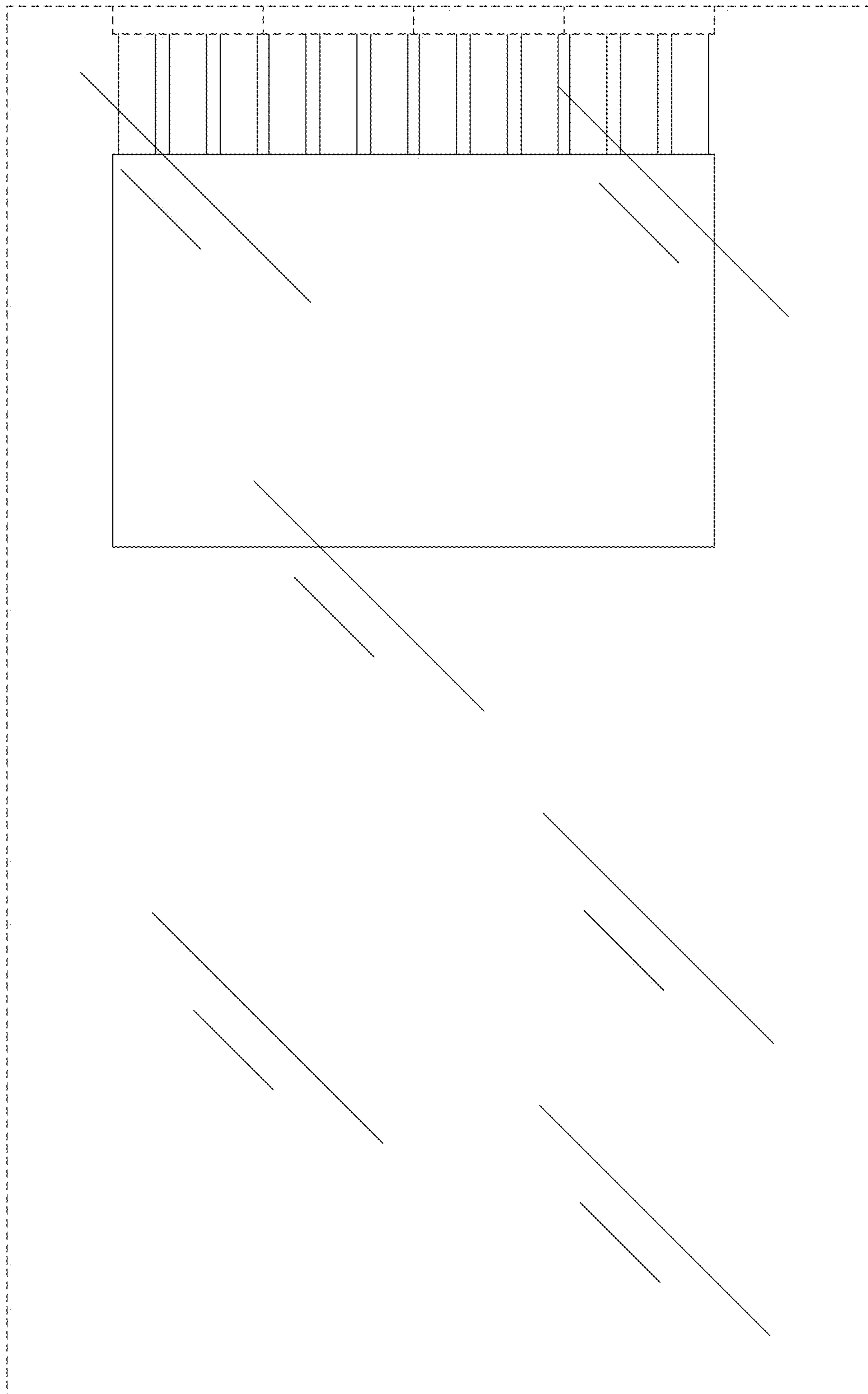


FIG. 2

FIG. 3

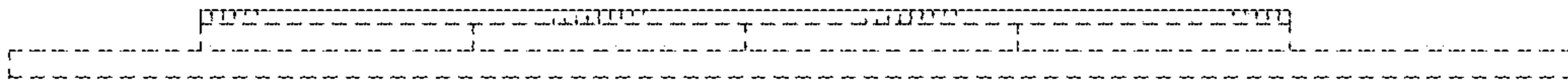


FIG. 4

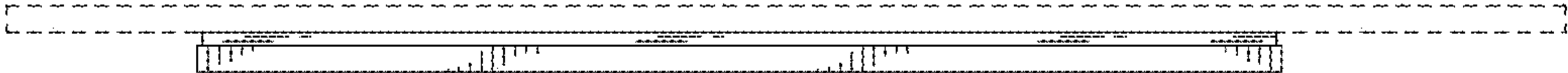


FIG. 5

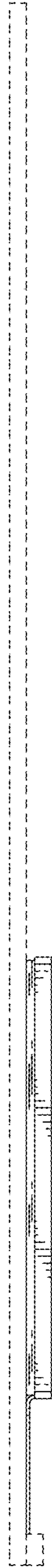
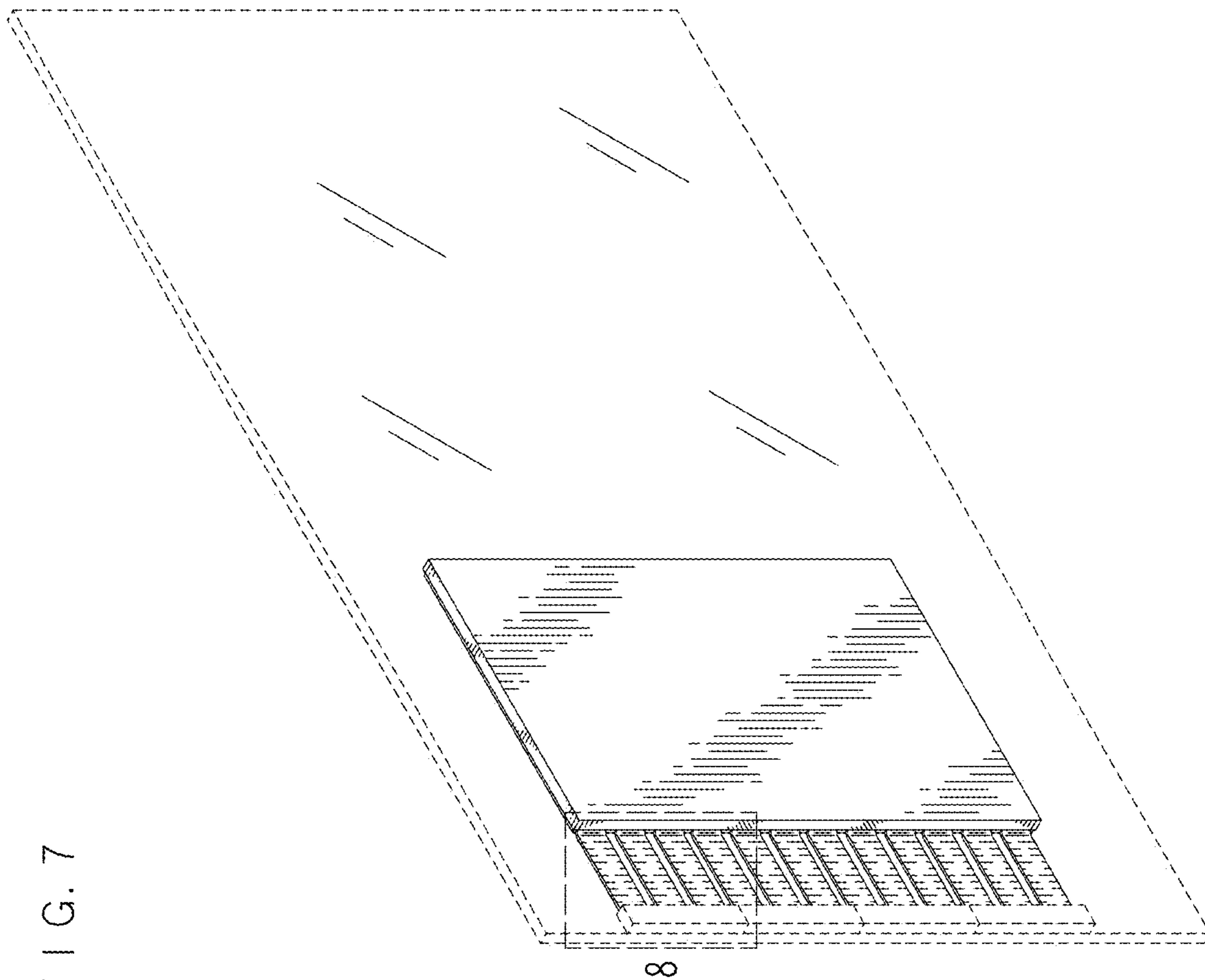


FIG. 6





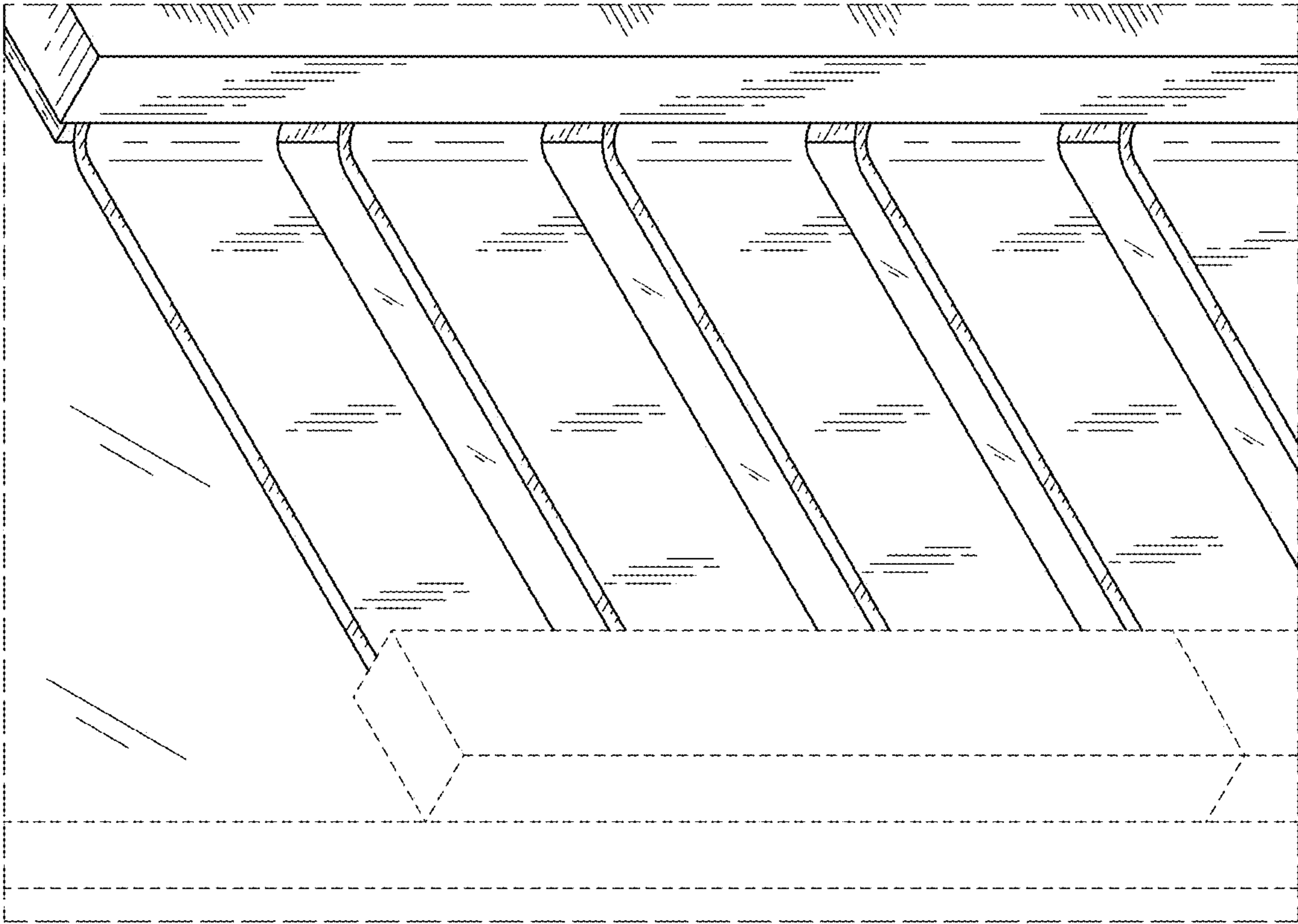


FIG. 8

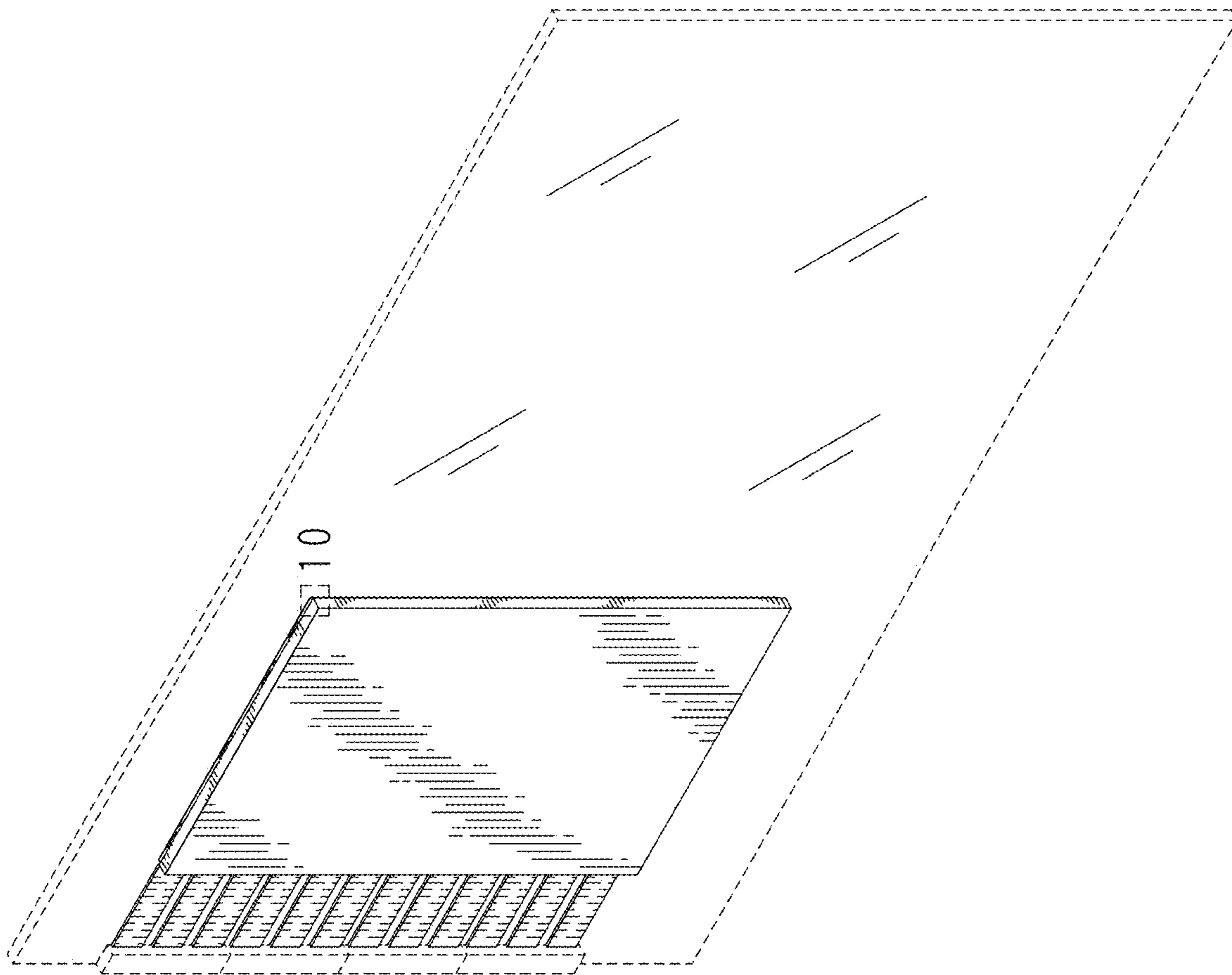
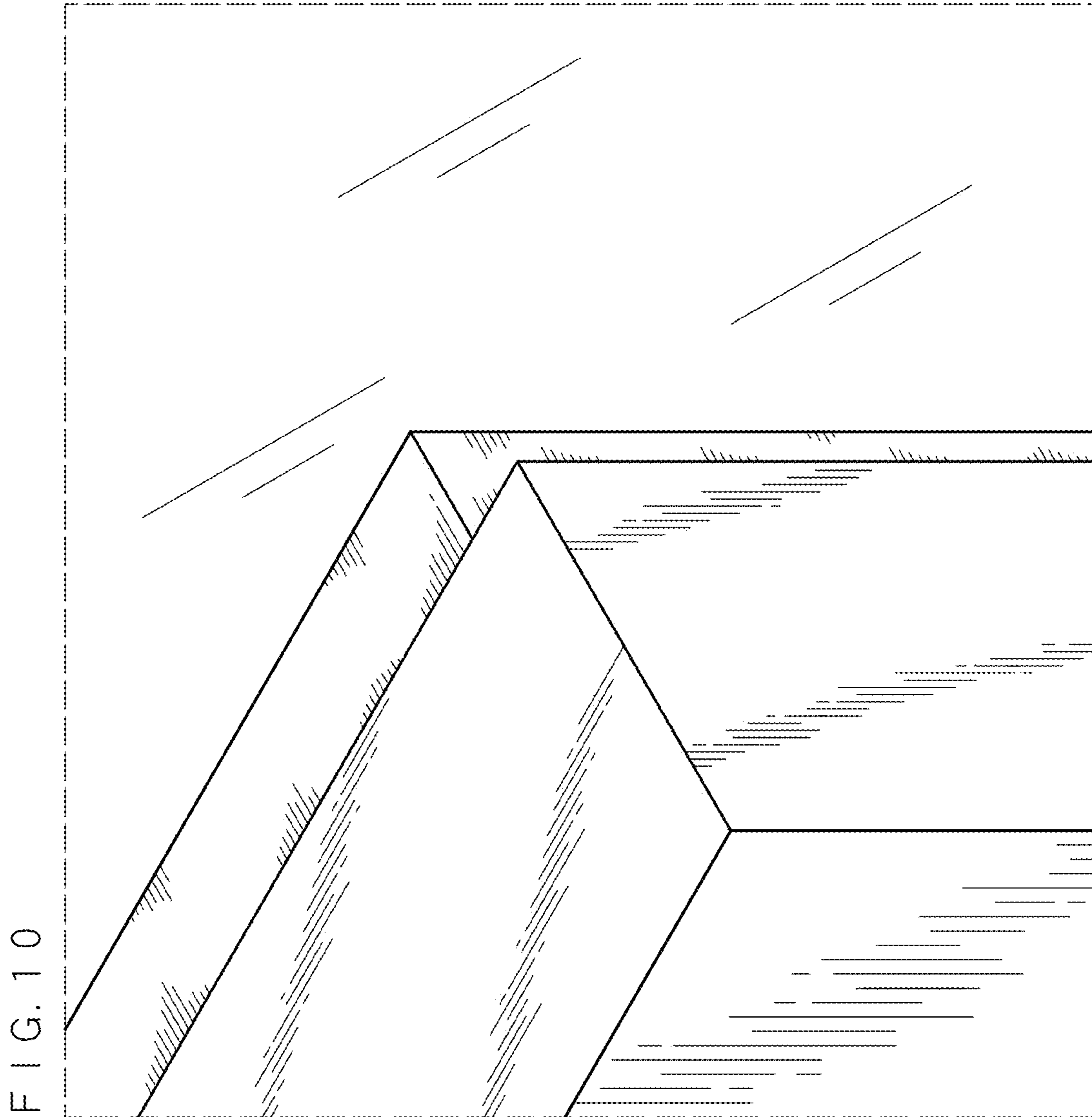


FIG. 9



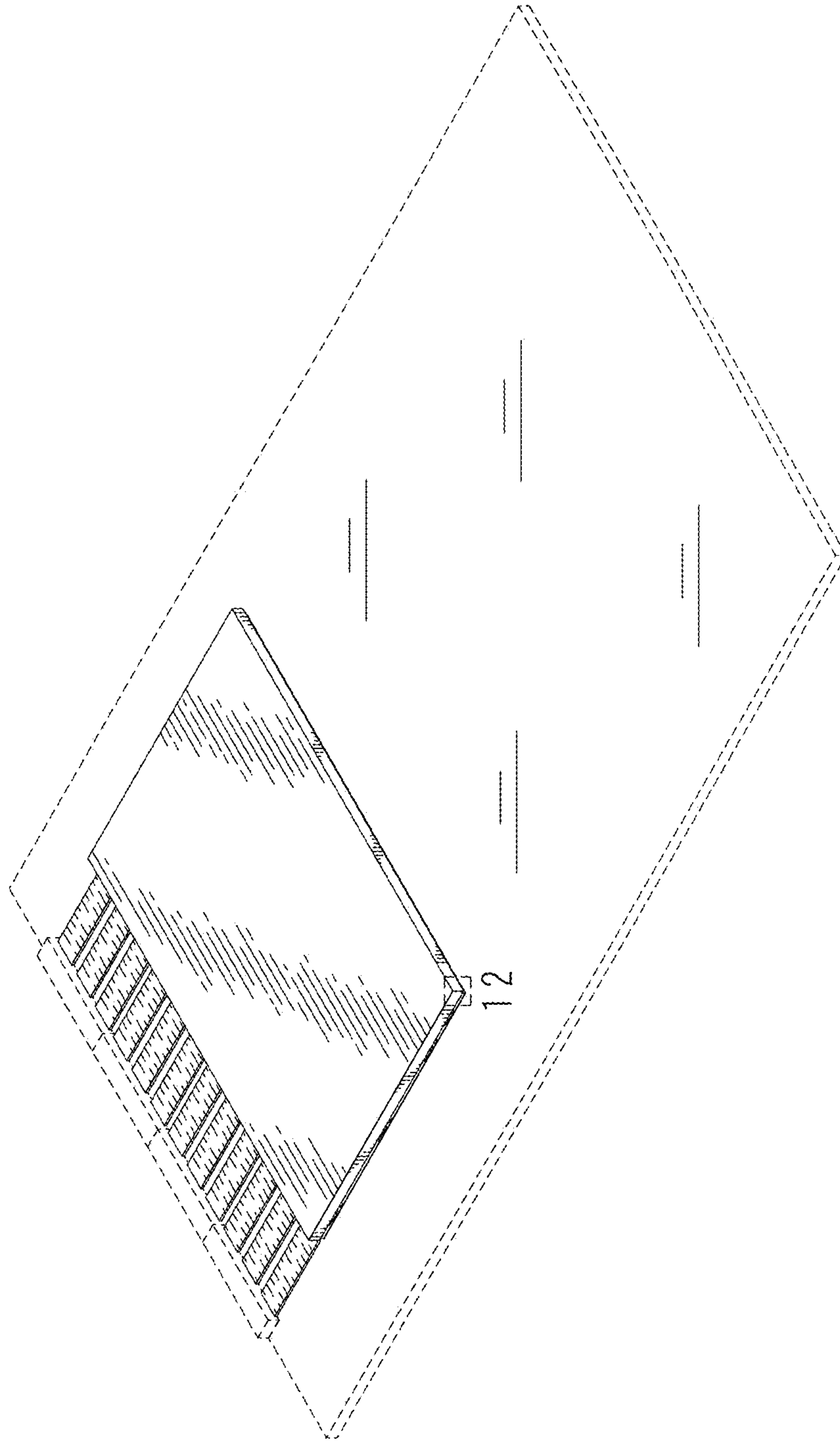


FIG. 11

