



US00D877145S

(12) **United States Design Patent**
Shin

(10) **Patent No.:** **US D877,145 S**
(45) **Date of Patent:** **** Mar. 3, 2020**

(54) **PORTABLE DEVICE**

(71) Applicant: **Seeminex Co., Ltd**, Seongnam-si (KR)

(72) Inventor: **Suk Joo Shin**, Incheon (KR)

(73) Assignee: **Seeminex.com, Inc.**, San Diego, CA (US)

(**) Term: **15 Years**

(21) Appl. No.: **29/681,076**

(22) Filed: **Feb. 22, 2019**

(30) **Foreign Application Priority Data**

Feb. 1, 2019 (KR) 30-2019-0005422

(51) **LOC (12) Cl.** **14-02**

(52) **U.S. Cl.**
USPC **D14/344**

(58) **Field of Classification Search**

USPC D14/138 r, 144, 341, 344, 358, 388, 218;
D10/30-39, 70, 98; D11/3, 4, 26, 93-94,
D11/78.1, 79, 86; D24/167, 169,
D24/186-187, 164

CPC A41D 1/002; A41D 19/0034; A44C 5/00;
G01C 22/00; G01C 22/002; G01C 22/006

See application file for complete search history.

(56) **References Cited**

U.S. PATENT DOCUMENTS

D615,427 S *	5/2010	Au Yeung	D10/70
D632,396 S *	2/2011	Kasabach	D24/186
D637,506 S *	5/2011	Toyoshima	D10/70
D687,068 S *	7/2013	Paradise	D14/496
D692,784 S *	11/2013	Anderssen	D10/106.92
D693,250 S *	11/2013	Anderssen	D10/65
D693,251 S *	11/2013	Anderssen	D10/65
8,776,418 B1 *	7/2014	Martinez	G06F 15/00 40/633

(Continued)

FOREIGN PATENT DOCUMENTS

EM 005260411-0006 5/2018
EM 005940475-0003 12/2018

(Continued)

OTHER PUBLICATIONS

Seeminex SM-300, posted unknown, [retrieved Jul. 8, 2019]. Retrieved from Internet, <URL: <http://www.snpowercom.com/>>.*

(Continued)

Primary Examiner — Karen E Kearney

Assistant Examiner — Kristin E Reed

(74) *Attorney, Agent, or Firm* — Knobbe, Martens, Olson & Bear, LLP

(57) **CLAIM**

The ornamental design for a portable device, as shown and described.

DESCRIPTION

FIG. 1 is a perspective view of a portable device showing my new design;

FIG. 2 is a front elevation view thereof;

FIG. 3 is a back elevation view thereof;

FIG. 4 is a left side elevation view thereof;

FIG. 5 is a right side elevation view thereof;

FIG. 6 is a top plan view thereof;

FIG. 7 is a bottom plan view thereof;

FIG. 8 is a perspective view of the portable device showing a state in which the device is attachable to and detached from a case to be worn on a wrist;

FIG. 9 is a perspective view of the portable device showing a state in which the device is attachable to and detached from a case to be worn on a neck; and,

FIG. 10 is a perspective view of the portable device showing a state in which the device is attachable to and detached from a case to be held on a waist.

1 Claim, 8 Drawing Sheets

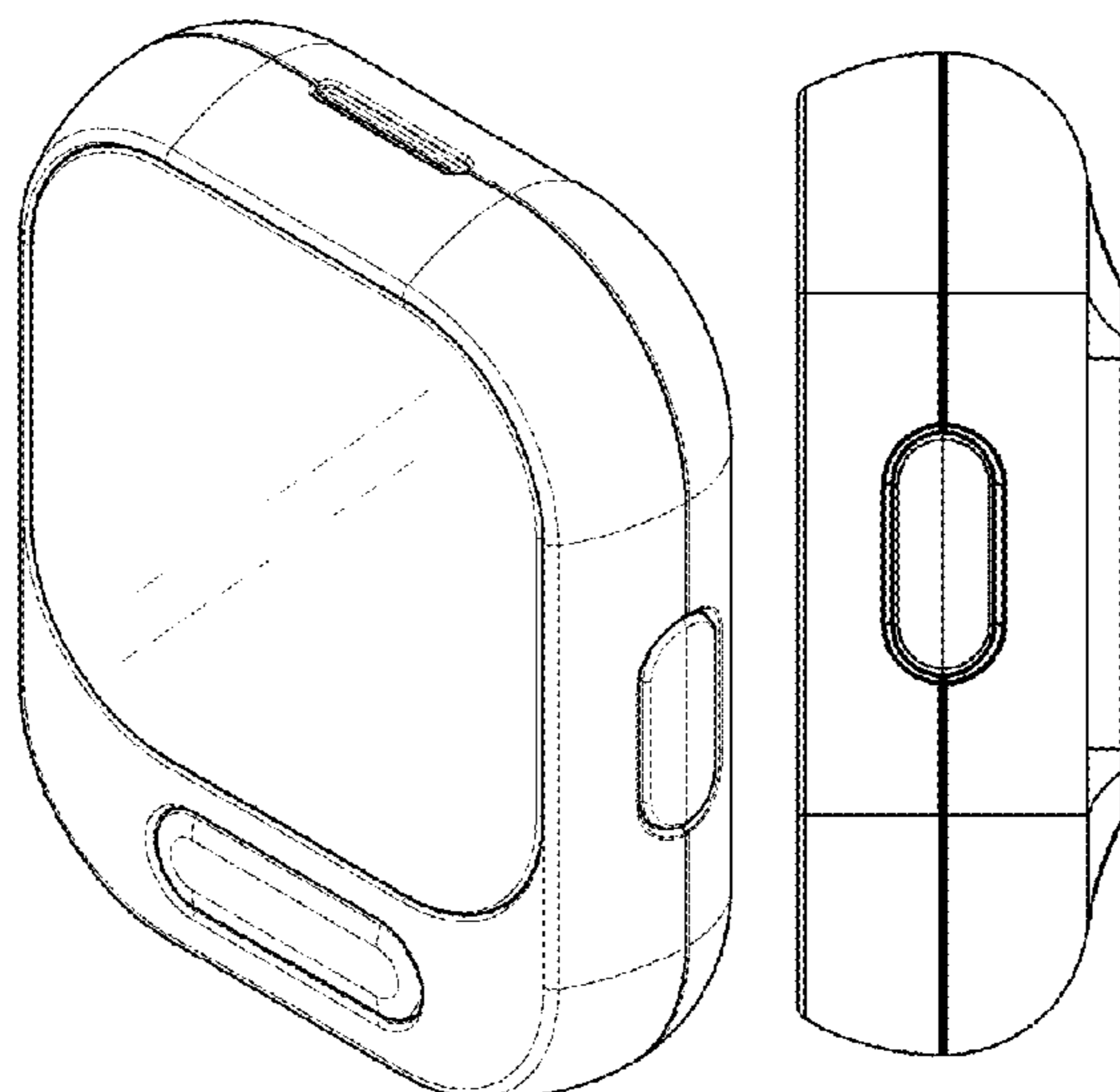


FIG. 1

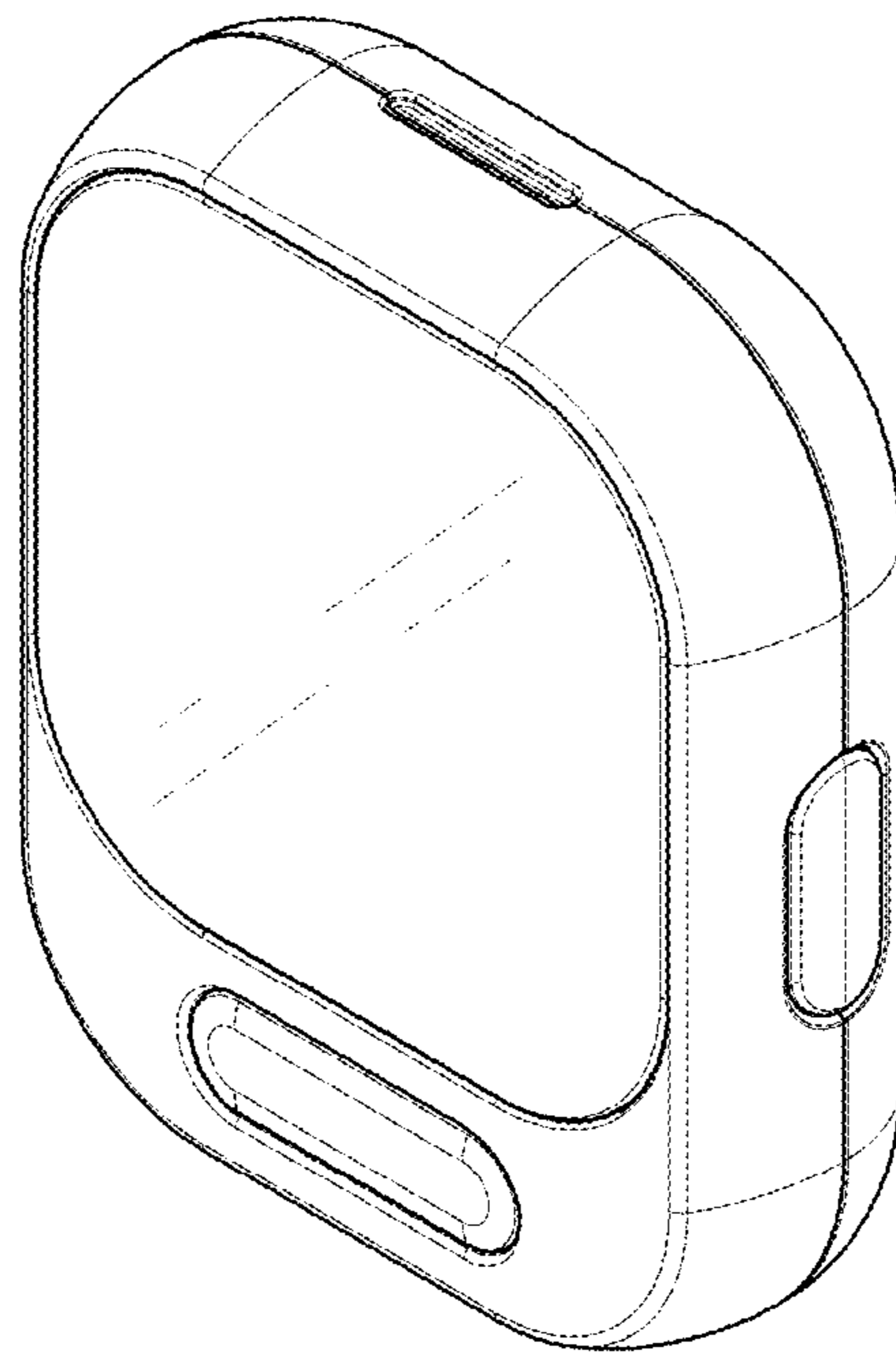


FIG. 2

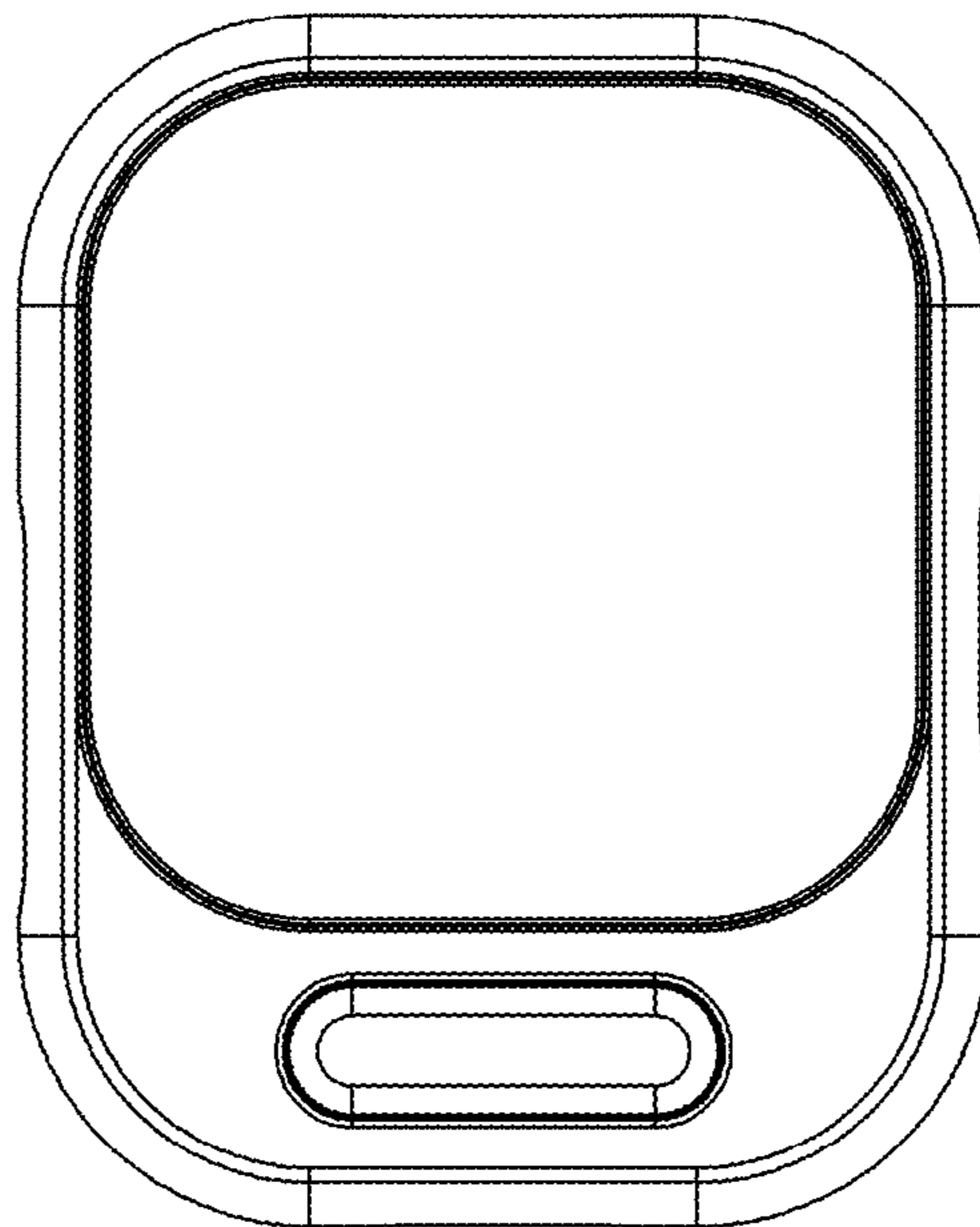


FIG. 3

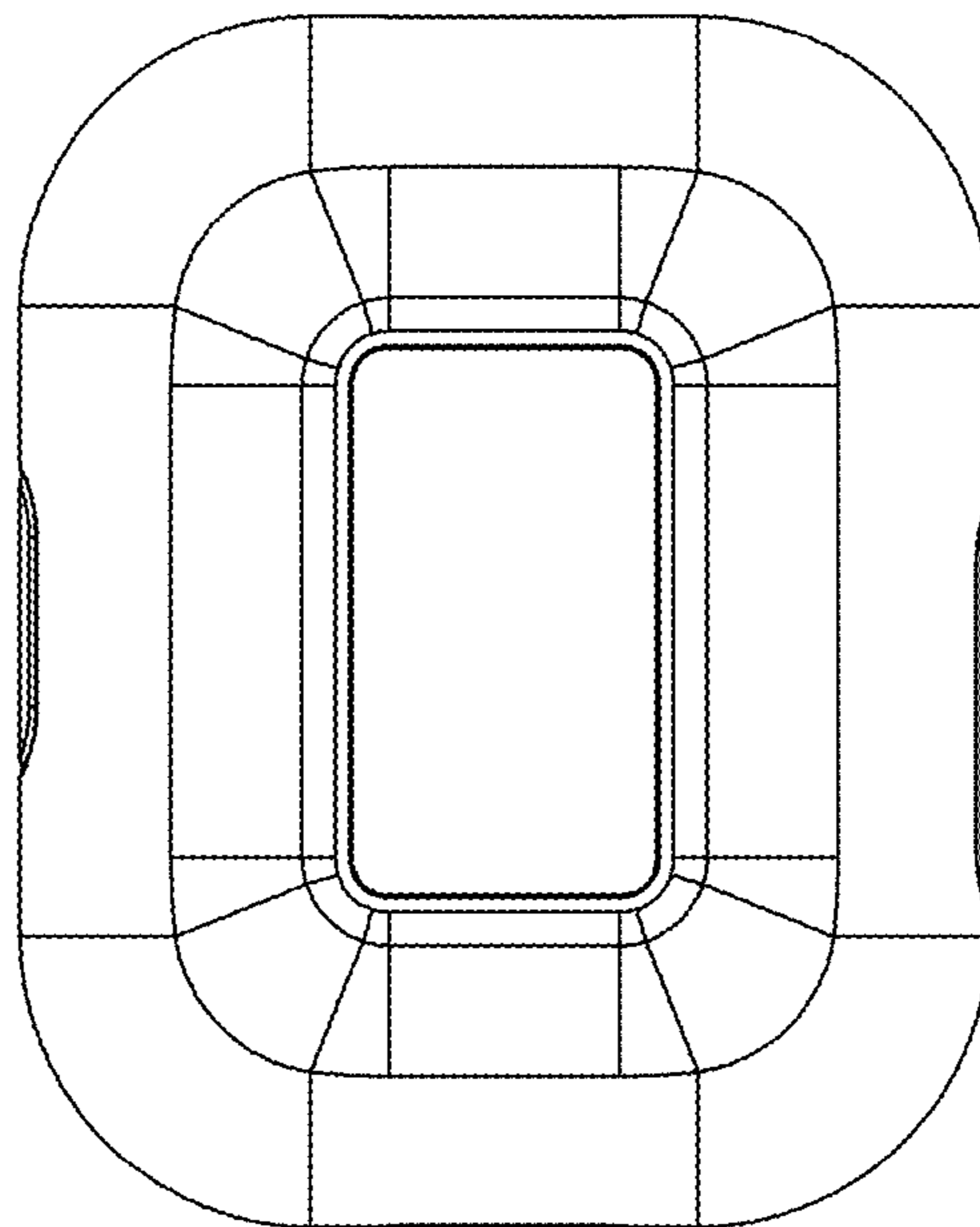


FIG. 4

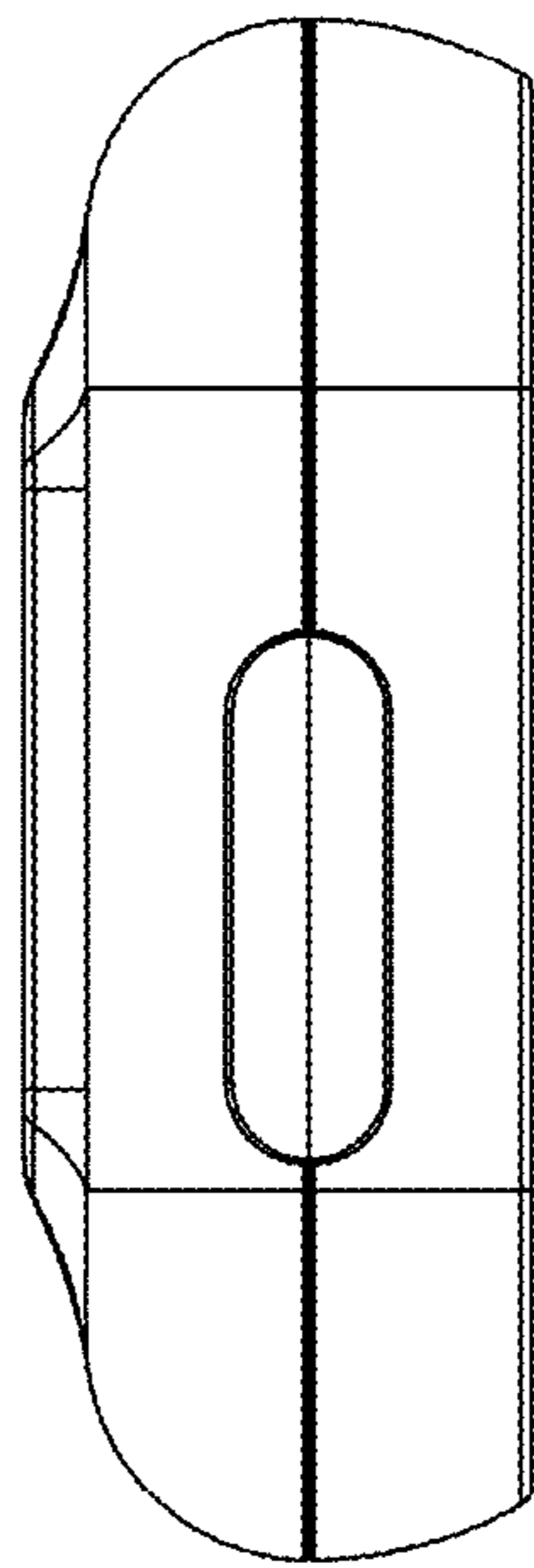


FIG. 5

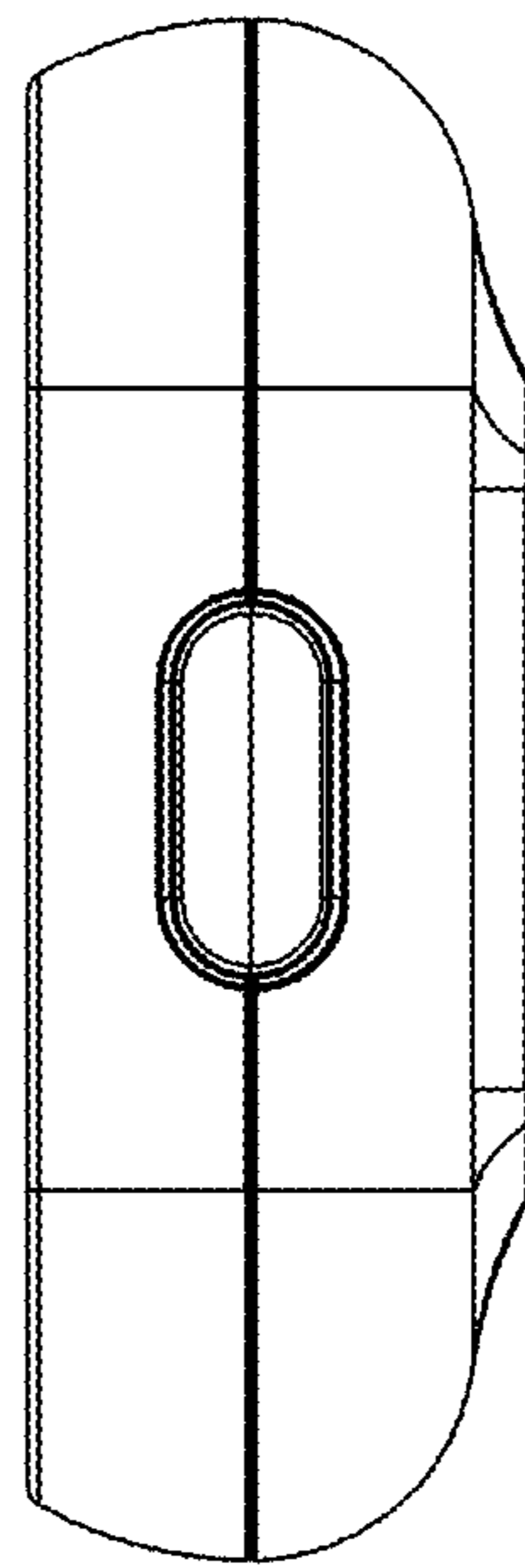


FIG. 6

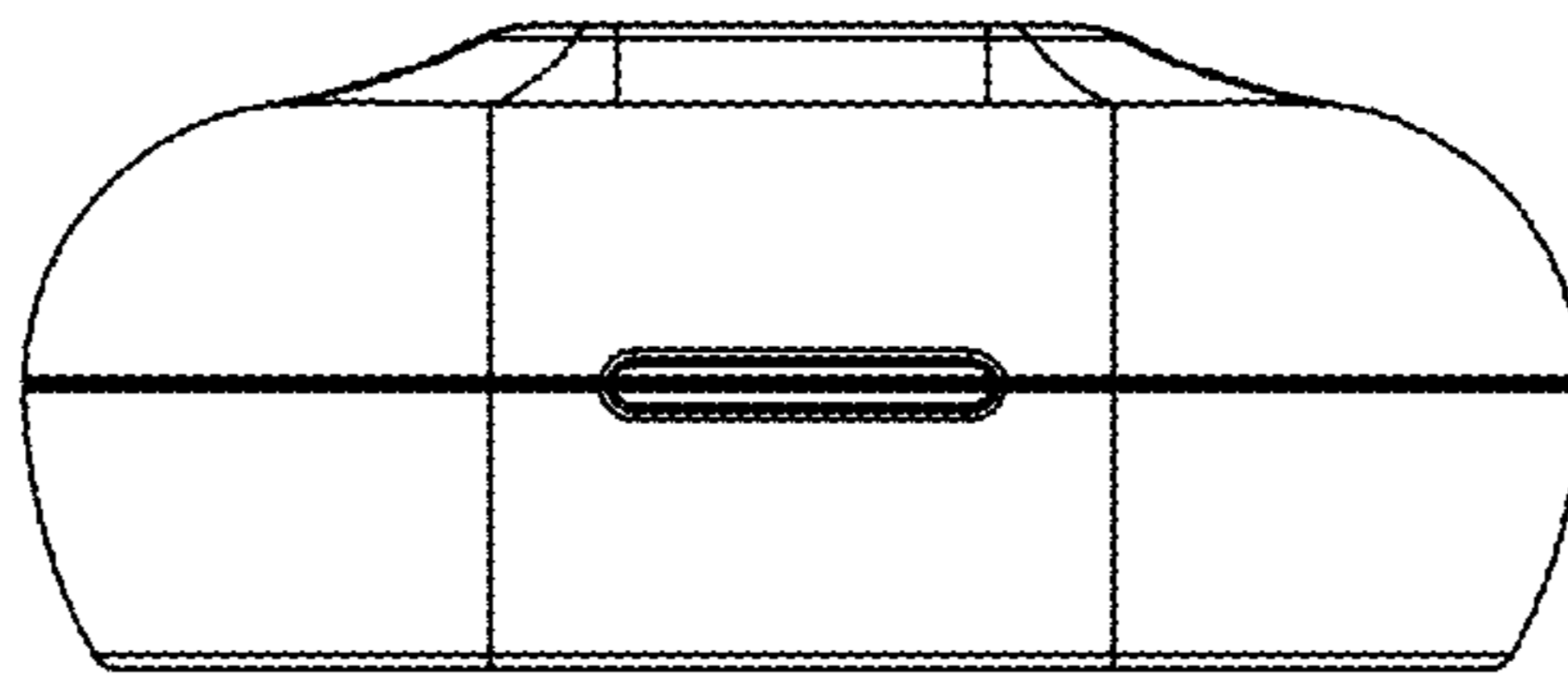


FIG. 7

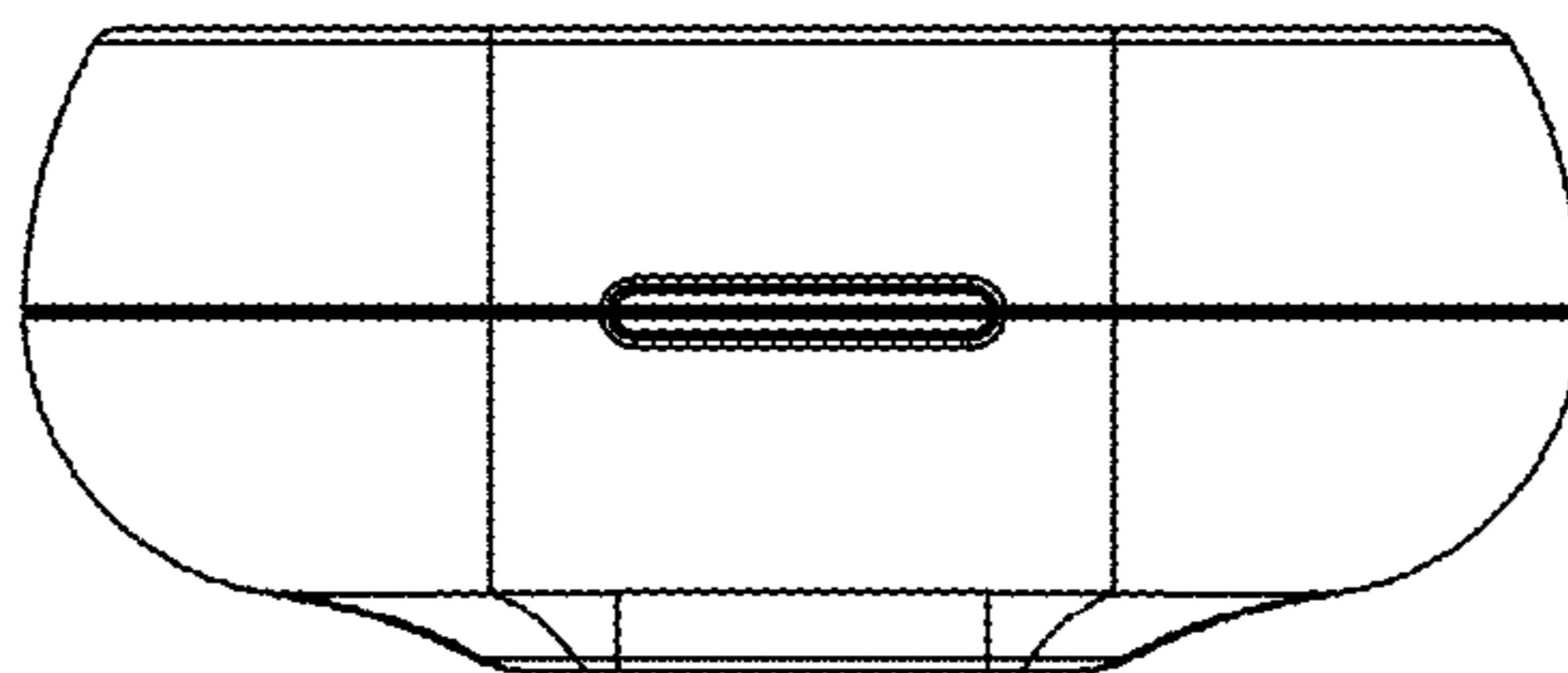


FIG. 8

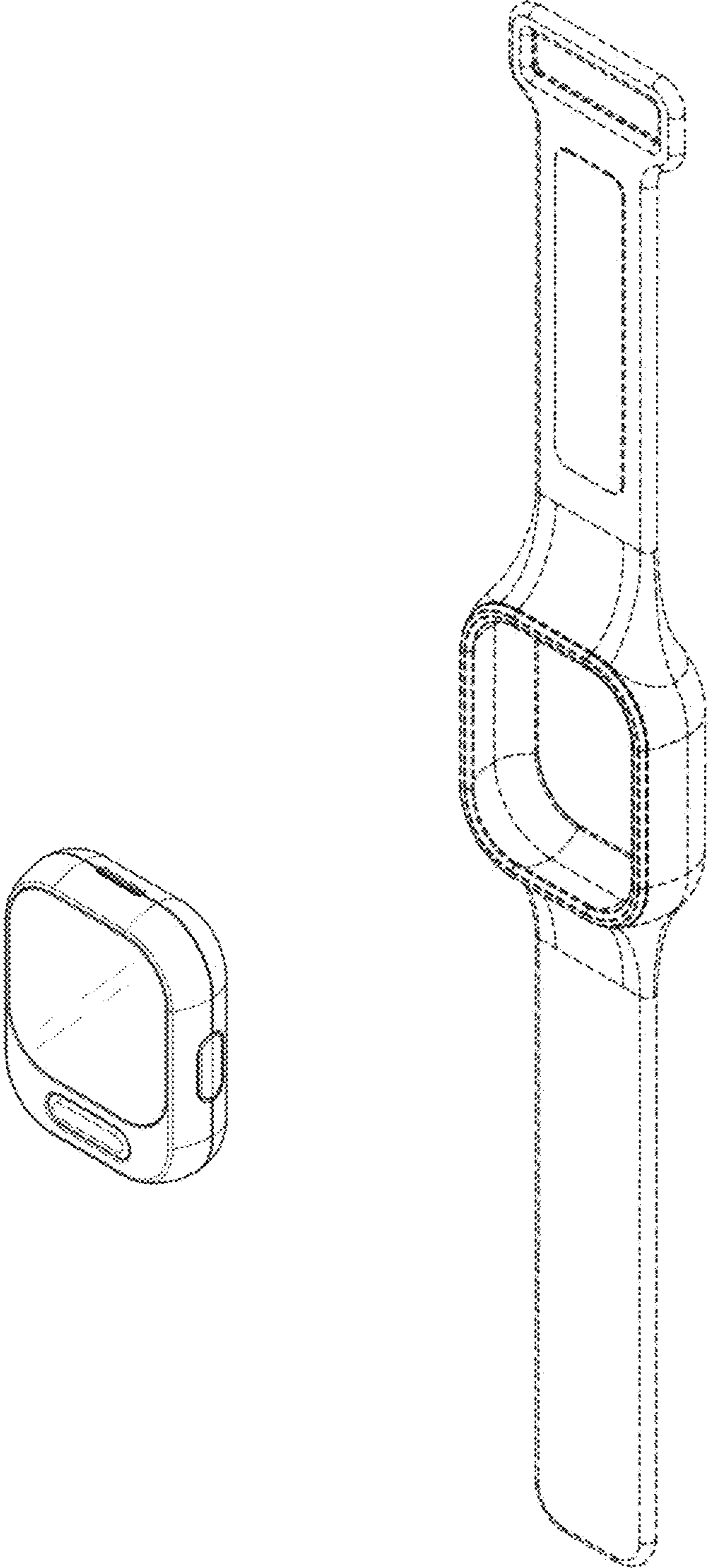


FIG. 9

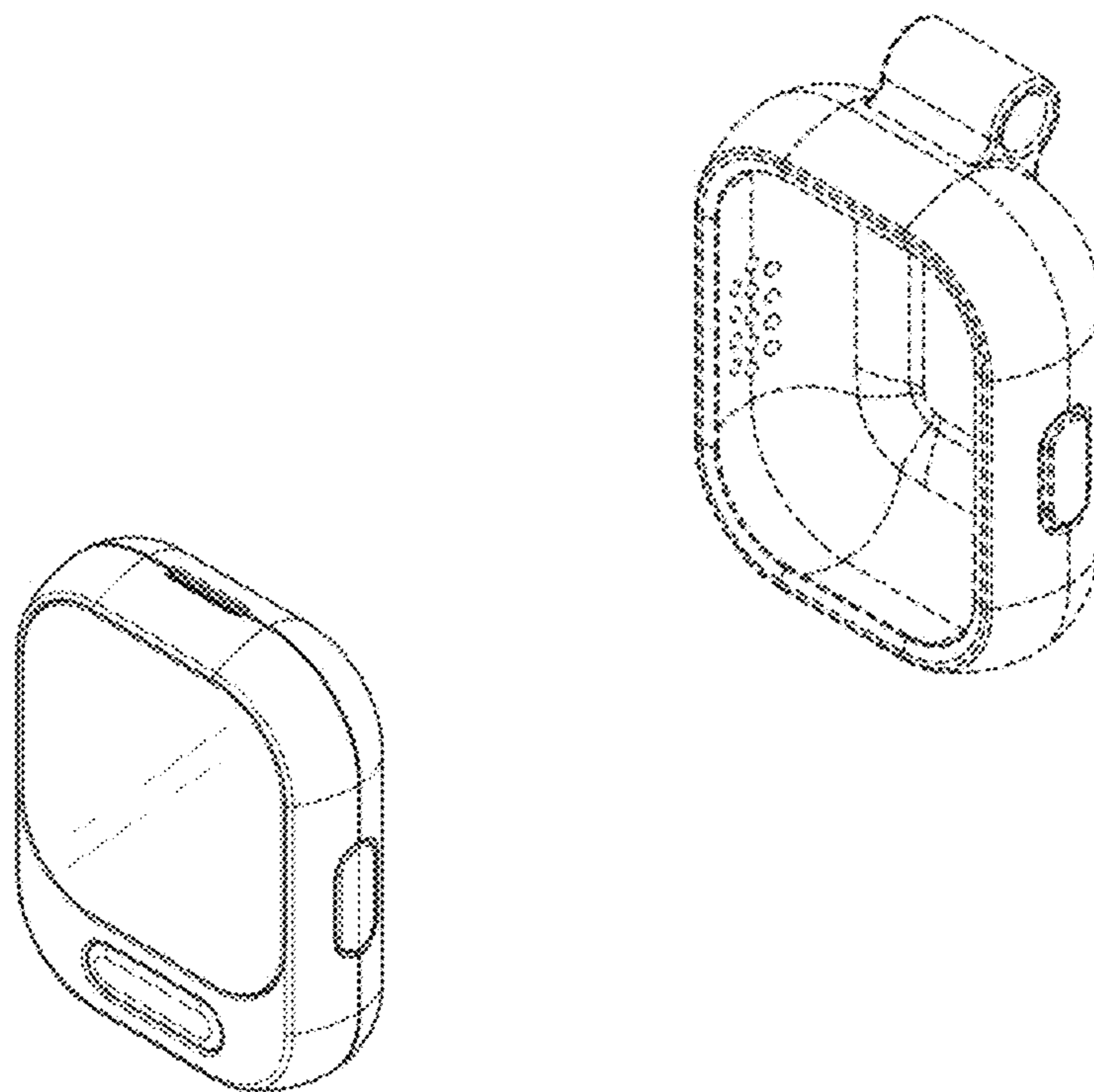


FIG. 10

