



US00D877140S

(12) **United States Design Patent** (10) **Patent No.:** **US D877,140 S**  
**Little et al.** (45) **Date of Patent:** **\*\* Mar. 3, 2020**

(54) **COMPUTER**

FOREIGN PATENT DOCUMENTS

(71) Applicant: **Hewlett-Packard Development Company, L.P.**, Houston, TX (US)

KR 3020040012685 3/2005

(72) Inventors: **Joshua Glenn Little**, Palo Alto, CA (US); **Vicki Huichi Chuang**, Houston, TX (US)

OTHER PUBLICATIONS

Dell Optiplex 760 USFF—Core 2 Duo (Configure to Order) <https://kelsusit.com/dell-optiplex-760-usff-core-2-duo-configure-to-order/>.

(73) Assignee: **Hewlett-Packard Development Company, L.P.**, Spring, TX (US)

(Continued)

(\*\*) Term: **15 Years**

*Primary Examiner* — Sandra S Snapp

*Assistant Examiner* — Katherine Glennon

(74) *Attorney, Agent, or Firm* — HP Inc. Patent Department

(21) Appl. No.: **29/635,705**

(22) Filed: **Feb. 1, 2018**

(57) **CLAIM**

(51) **LOC (12) Cl.** ..... **14-02**

The ornamental design for a computer, as shown and described.

(52) **U.S. Cl.**

USPC ..... **D14/314**

(58) **Field of Classification Search**

USPC ..... D14/300, 301, 308, 314, 348–349, D14/353–354, 356–358; D3/208, 216

CPC ..... G06F 13/00; G06F 16/00; G06F 16/10; G06F 1/1628; G06F 1/163; G06F 1/16; H01H 2231/002

See application file for complete search history.

**DESCRIPTION**

FIG. 1 is a front, top, left-side perspective view of a computer in accordance with our new design;

FIG. 2 is a front elevational view of the computer shown in FIG. 1;

FIG. 3 is a rear elevational view of the computer shown in FIG. 1;

FIG. 4 is a right-side elevational view of the computer shown in FIG. 1;

FIG. 5 is a left-side elevational view of the computer shown in FIG. 1;

FIG. 6 is a top plan view of the computer shown in FIG. 1; and

FIG. 7 is a bottom plan view of the computer shown in FIG. 1; and,

FIG. 8 is a rear, bottom, left-side perspective view of the computer shown in FIG. 1.

The broken lines within the figures represent portions of the computer that form no part of the claimed design.

(56) **References Cited**

U.S. PATENT DOCUMENTS

5,397,176 A \* 3/1995 Allen ..... G06F 1/18 312/223.2

6,296,333 B1 10/2001 Lee

D517,074 S \* 3/2006 Kubota ..... D14/349

D588,593 S \* 3/2009 Hamaguchi ..... D14/300

D615,968 S \* 5/2010 Herbst ..... D14/300

D670,294 S \* 11/2012 Kuehn ..... D14/441

D693,336 S \* 11/2013 Youens ..... D14/300

D694,247 S \* 11/2013 Besterman ..... D14/301

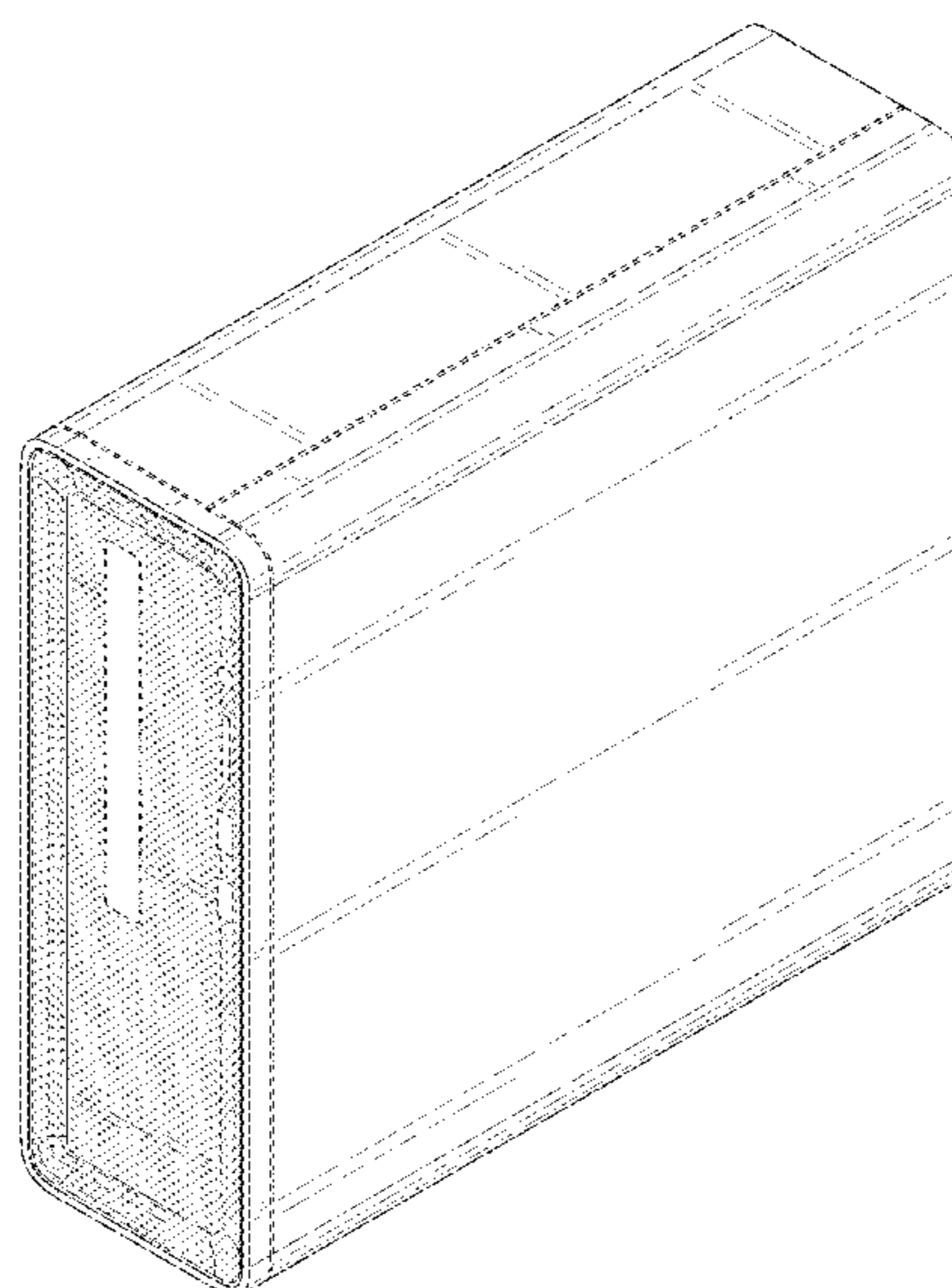
D768,625 S \* 10/2016 Lucaci ..... D14/349

D769,863 S \* 10/2016 Little ..... D14/300

D794,016 S \* 8/2017 Probst ..... D14/349

(Continued)

**1 Claim, 8 Drawing Sheets**



(56)

**References Cited**

U.S. PATENT DOCUMENTS

2002/0186638 A1 12/2002 Diaz et al.  
2006/0049728 A1 3/2006 Yu et al.

OTHER PUBLICATIONS

Dell Inspiron 3250 Premium High Performance Small Desktop PC  
<https://www.amazon.in/Dell-Inspiron-3250-Performance-i3-6100U/dp/B0113WPLMS>.

\* cited by examiner

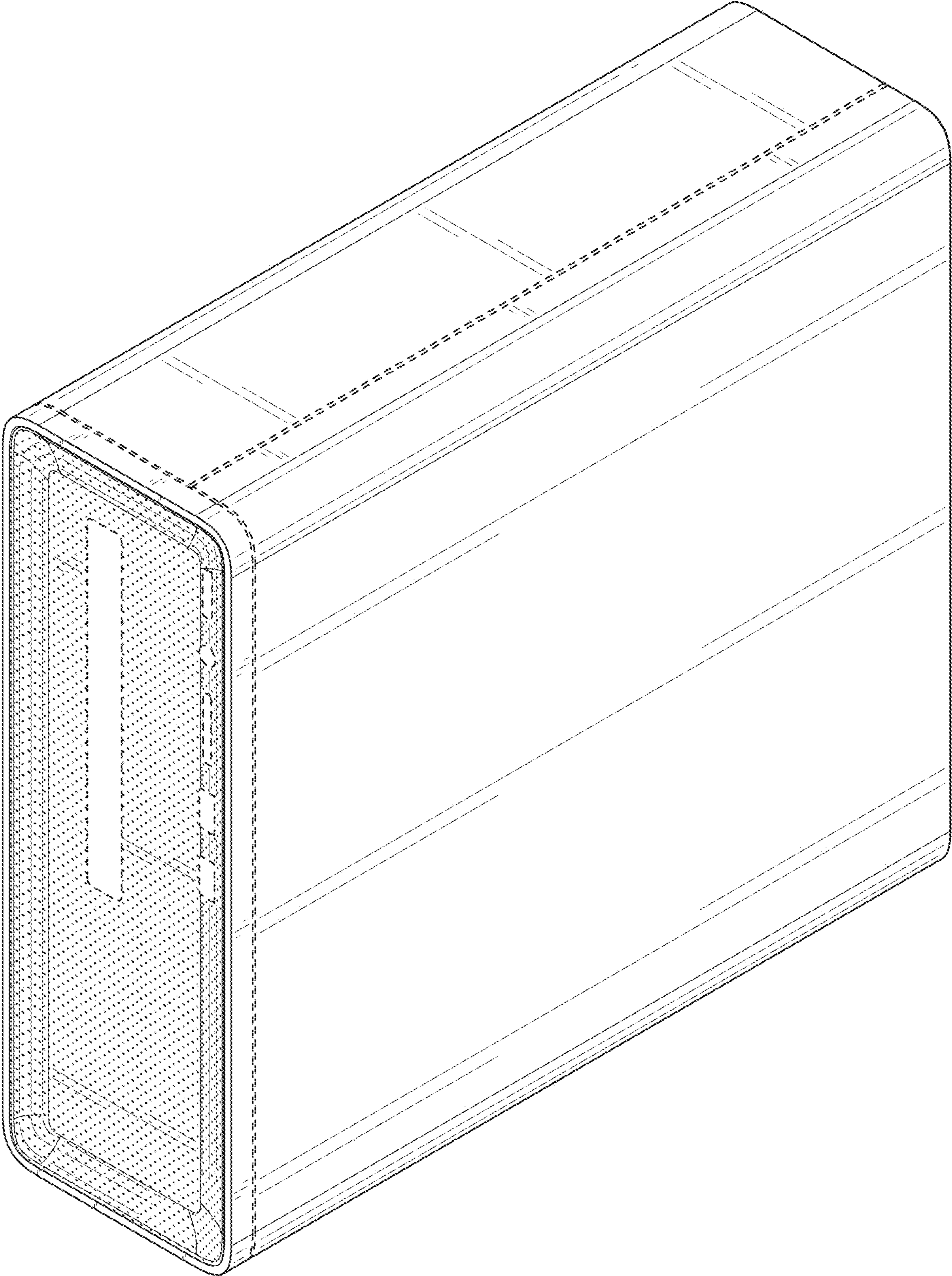


FIG. 1



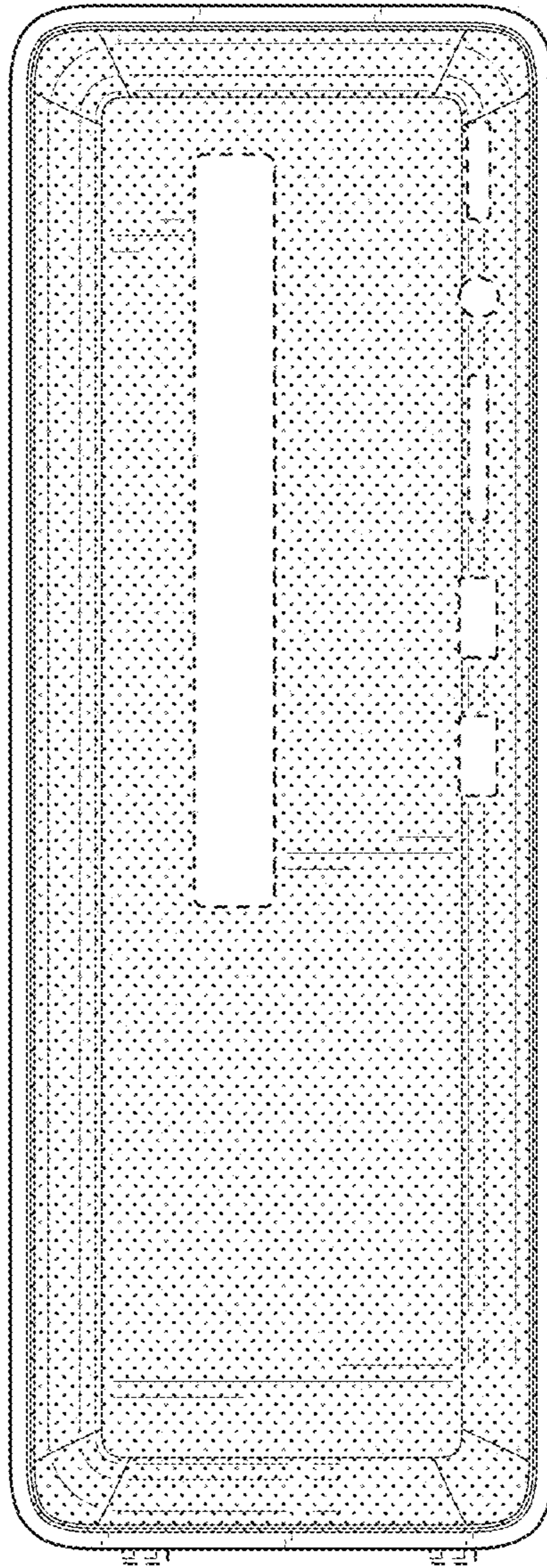


FIG. 2

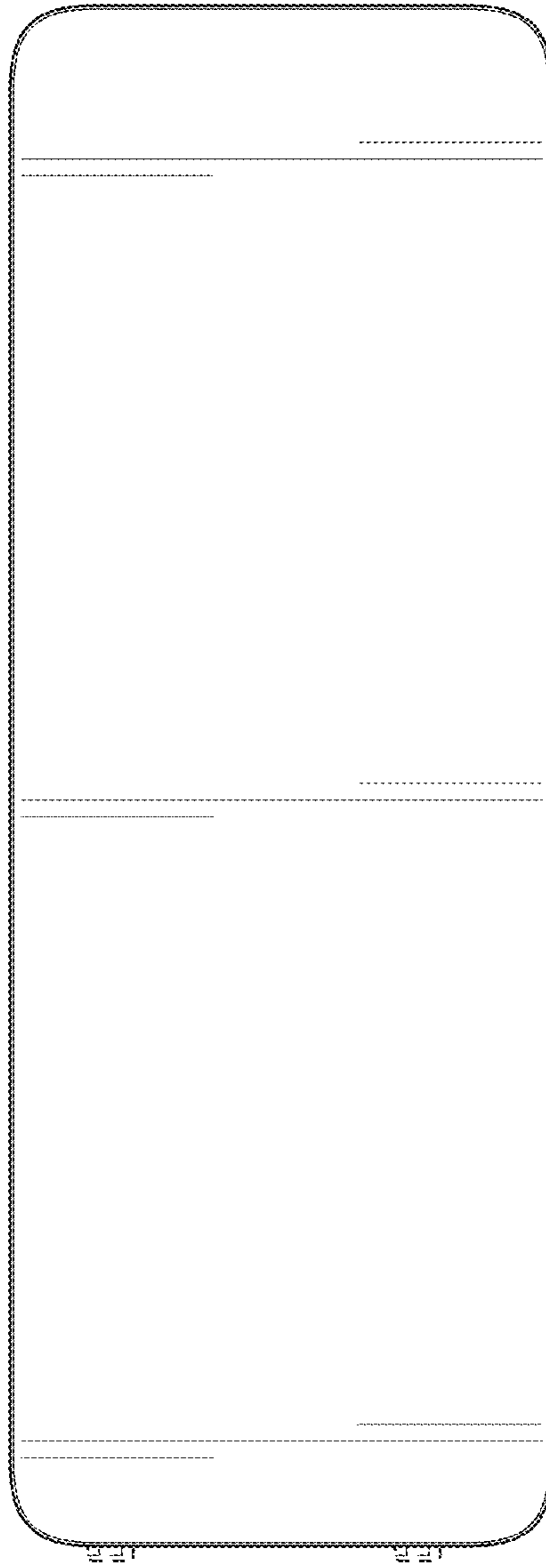


FIG. 3

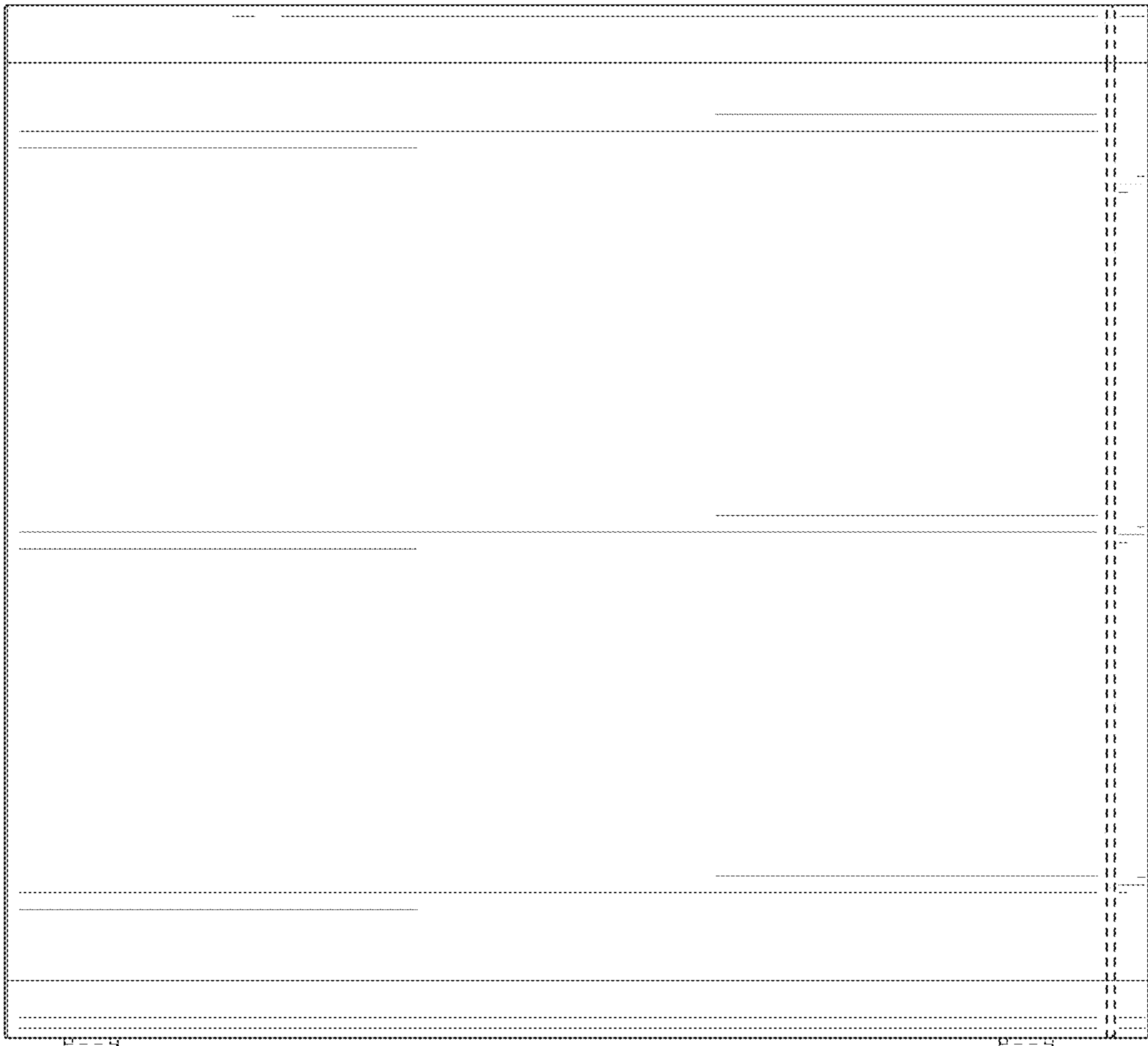


FIG. 4

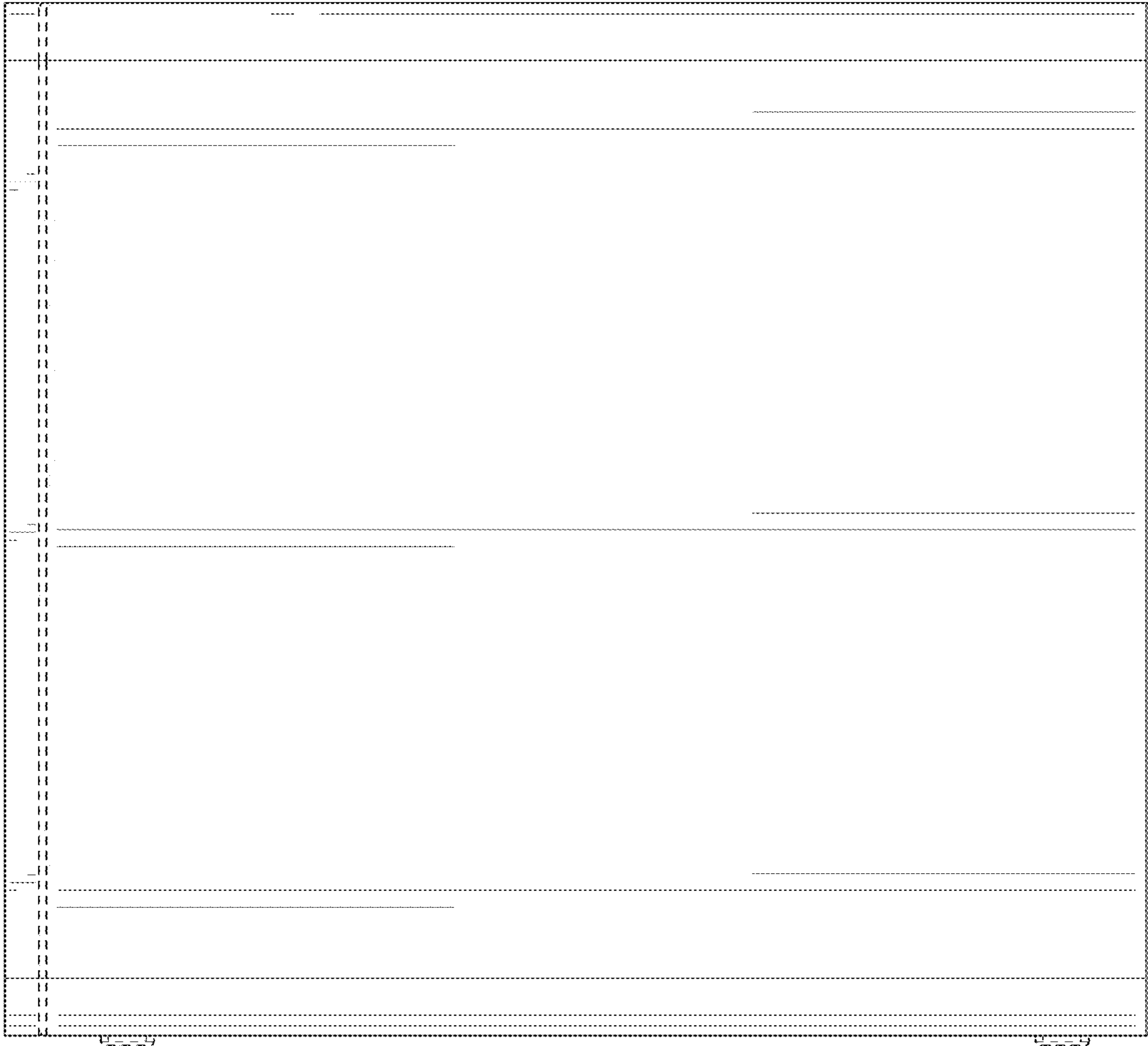


FIG. 5

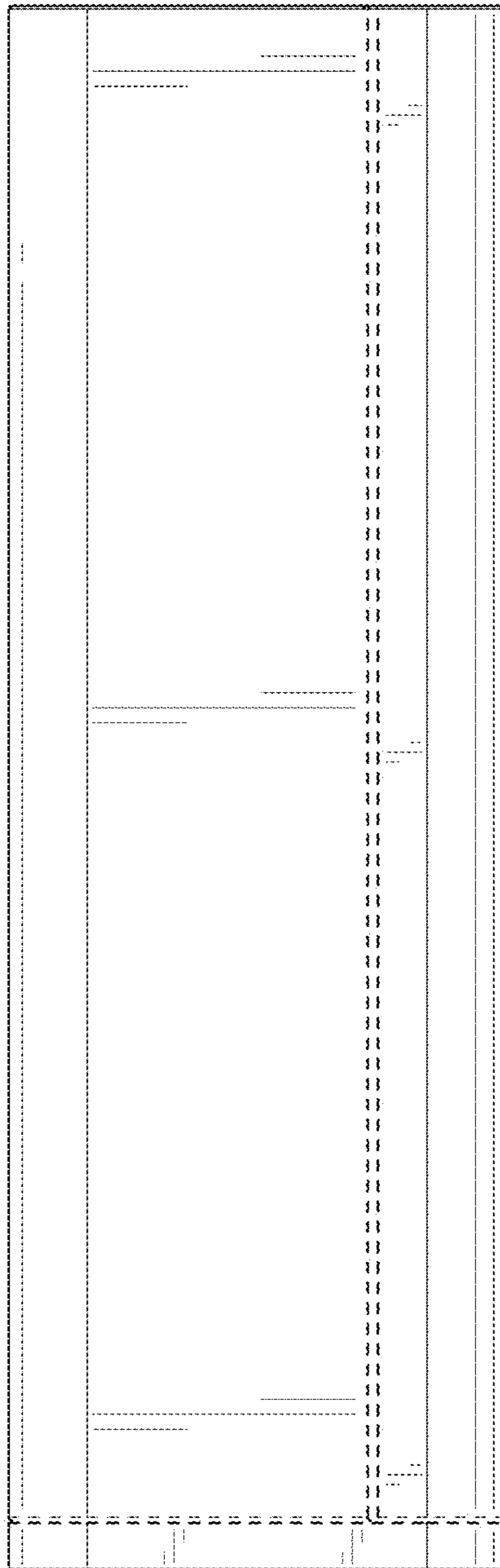


FIG. 6



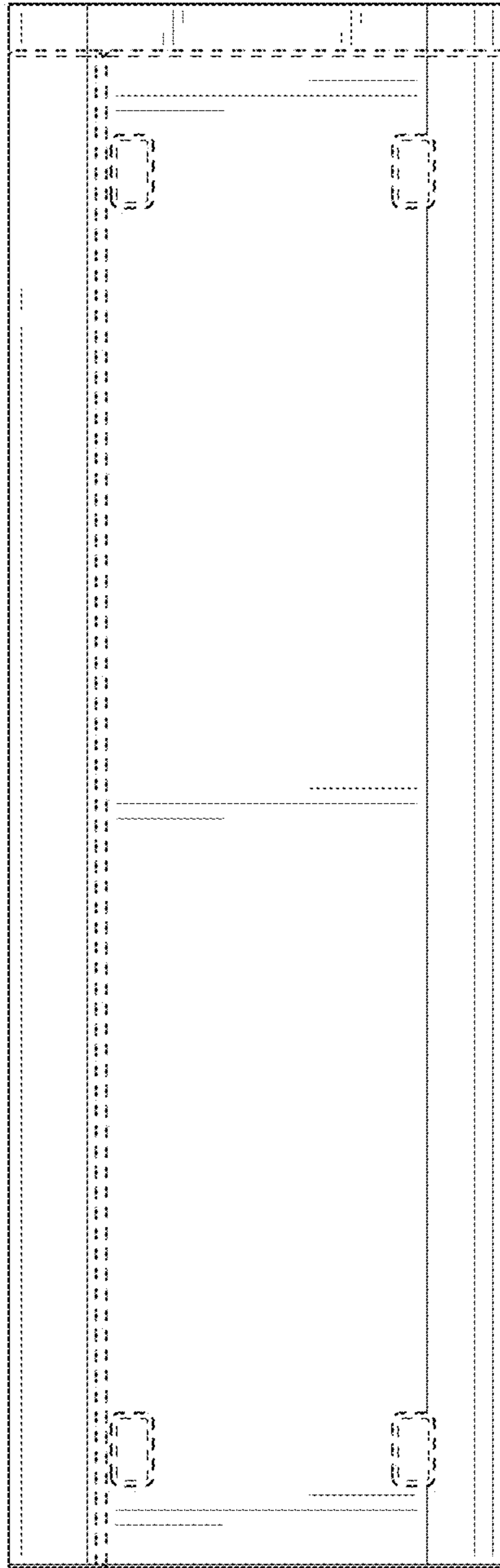


FIG. 7

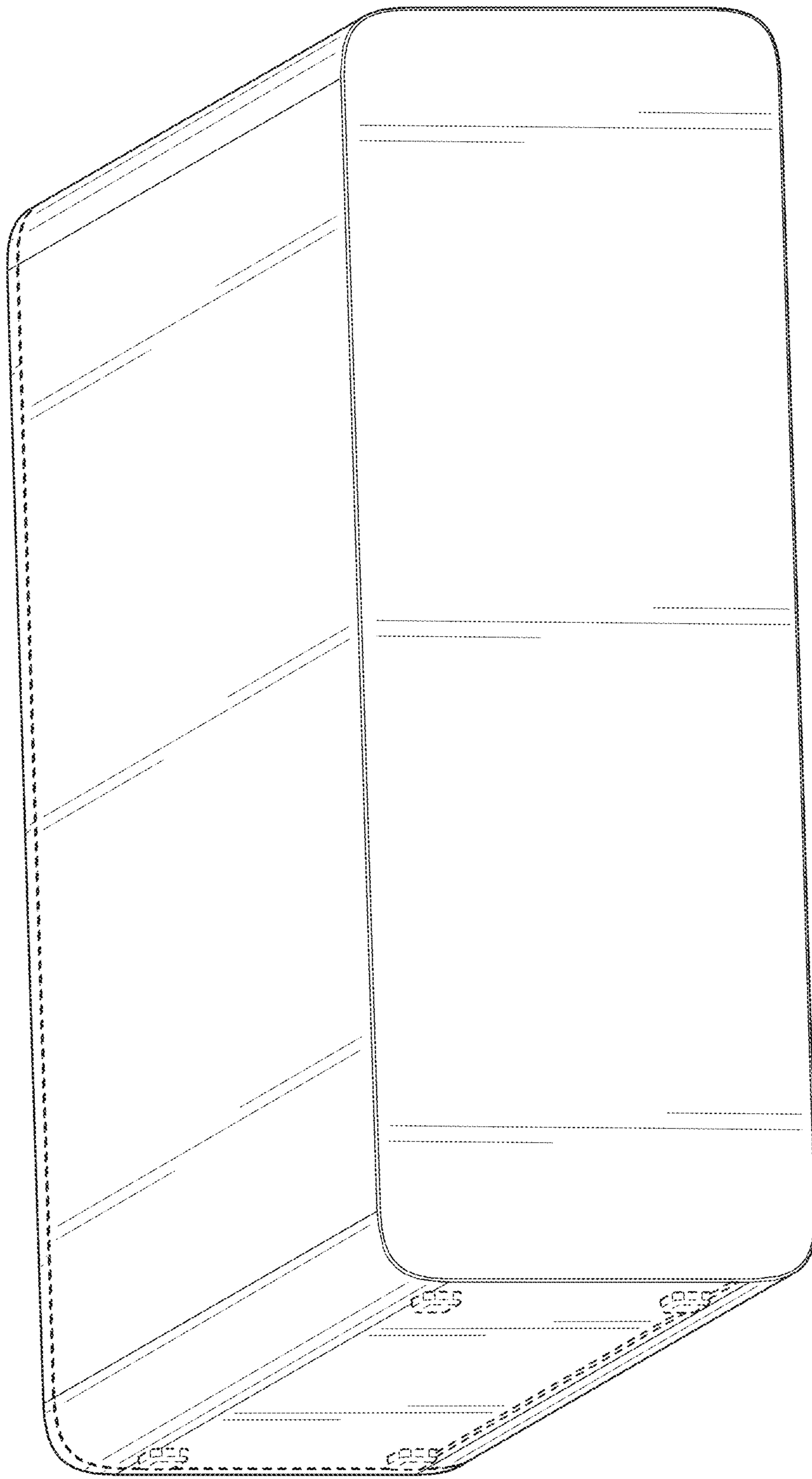


FIG. 8