



US00D877137S

(12) **United States Design Patent**  
**Engerman et al.**

(10) **Patent No.:** **US D877,137 S**  
(45) **Date of Patent:** **\*\* Mar. 3, 2020**

(54) **STORAGE CADDY**

(71) Applicant: **FoneRest LLC**, Northbrook, IL (US)

(72) Inventors: **Jordan Engerman**, Deerfield, IL (US);  
**Steven Agins**, Deerfield, IL (US)

(73) Assignee: **FONEREST LLC**, Northbrook, IL  
(US)

(\*\*) Term: **15 Years**

(21) Appl. No.: **29/625,402**

(22) Filed: **Nov. 9, 2017**

(51) **LOC (12) Cl.** ..... **14-03**

(52) **U.S. Cl.**  
USPC ..... **D14/253**

(58) **Field of Classification Search**  
USPC ..... D14/251–253, 440, 447; D12/415;  
D8/354

CPC ..... F16M 13/00; F16M 2200/00  
See application file for complete search history.

(56) **References Cited**

**U.S. PATENT DOCUMENTS**

D321,885 S *	11/1991	Sheldrake	.....	D14/138 R
D466,516 S *	12/2002	Peiker	.....	D14/434
D528,539 S *	9/2006	McClaude	.....	D14/253
D577,358 S *	9/2008	Kettula	.....	D14/251
D586,795 S *	2/2009	Richter	.....	D14/253
D596,172 S *	7/2009	Ahlqvist	.....	D14/251
D618,675 S *	6/2010	Thompson	.....	D14/251
D710,363 S *	8/2014	Wengreen	.....	D14/432
D734,305 S *	7/2015	Wengreen	.....	D14/238
D735,174 S *	7/2015	Wengreen	.....	D14/238
D749,549 S *	2/2016	Wengreen	.....	D14/238
D751,563 S *	3/2016	Wengreen	.....	D14/447
D761,236 S *	7/2016	Wengreen	.....	D14/238.1
D763,835 S *	8/2016	Wengreen	.....	D14/238.1
D765,063 S *	8/2016	Wengreen	.....	D14/238.1

D765,064 S *	8/2016	Wengreen	.....	D14/238.1
D777,167 S *	1/2017	Wengreen	.....	D14/447
D779,466 S *	2/2017	Wengreen	.....	D14/238.1
D798,305 S *	9/2017	Wengreen	.....	D14/447
D798,306 S *	9/2017	Wengreen	.....	D14/447
D812,064 S *	3/2018	Wengreen	.....	D14/434
D813,241 S *	3/2018	Wengreen	.....	D14/434
D824,399 S *	7/2018	Wengreen	.....	D14/447
D832,274 S *	10/2018	Wengreen	.....	D14/447
D845,959 S *	4/2019	Wengreen	.....	D14/447
D847,800 S *	5/2019	Wengreen	.....	D14/238.1
D847,801 S *	5/2019	Wengreen	.....	D14/238.1

\* cited by examiner

*Primary Examiner* — Janice Hallmark

(74) *Attorney, Agent, or Firm* — Dentons US LLP

(57) **CLAIM**

The ornamental design for a storage caddy, as shown and described.

**DESCRIPTION**

FIG. 1 is a front perspective view of a first embodiment of the design.

FIG. 2 is a front view of the design of FIG. 1.

FIG. 3 is a right-side view of the design of FIG. 1, the left-side view being a mirror image thereof.

FIG. 4 is a top view of the design of FIG. 1.

FIG. 5 is a bottom view of the design of FIG. 1.

FIG. 6 is a front perspective view of a second embodiment of the design.

FIG. 7 is a front view of the design of FIG. 6.

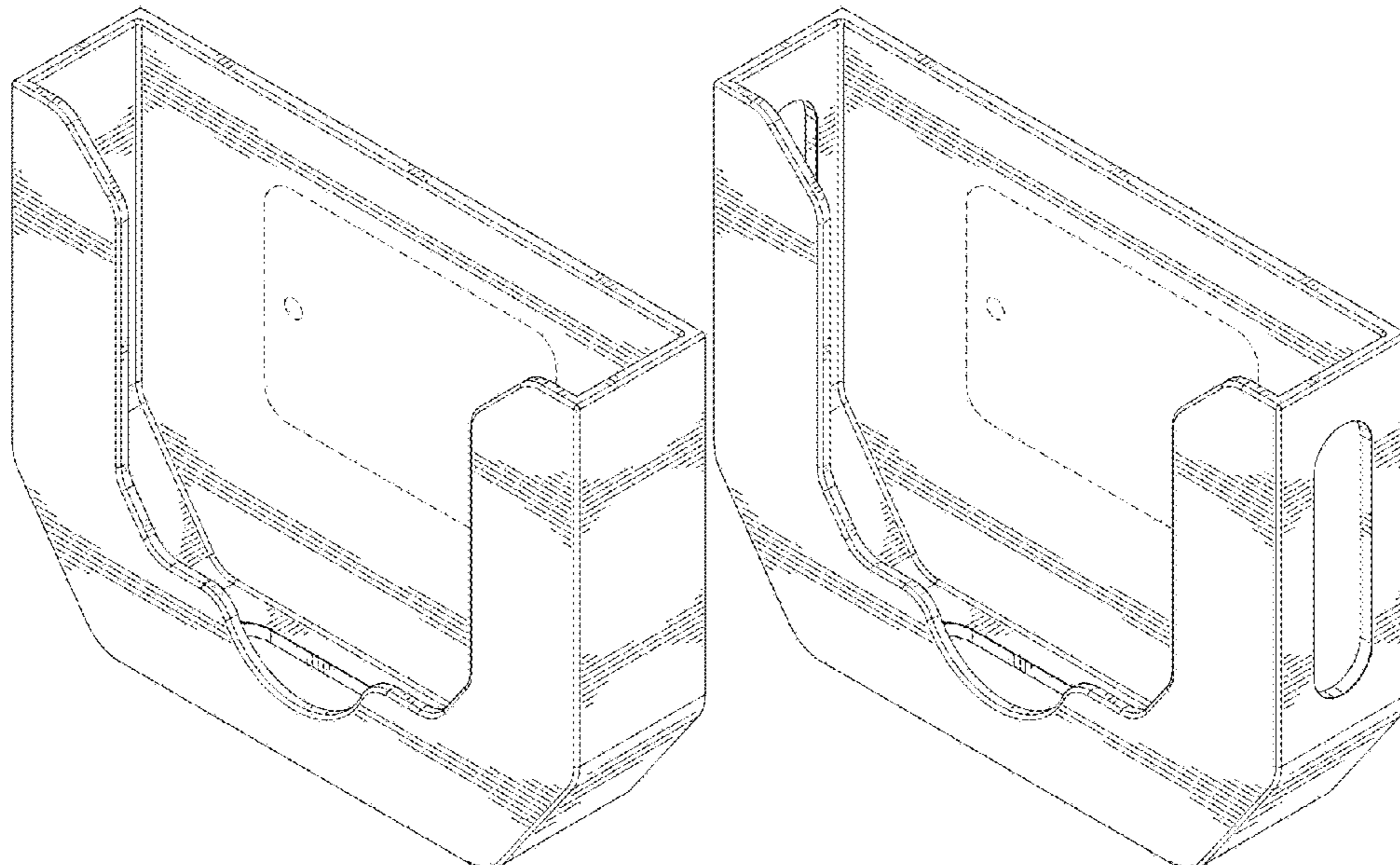
FIG. 8 is a right-side view of the design of FIG. 6, the left-side view being a mirror image thereof.

FIG. 9 is a top view of the design of FIG. 6; and,

FIG. 10 is a bottom view of the design of FIG. 6.

The broken lines in the drawings depict environmental subject matter only and form no part of the claimed design.

**1 Claim, 6 Drawing Sheets**



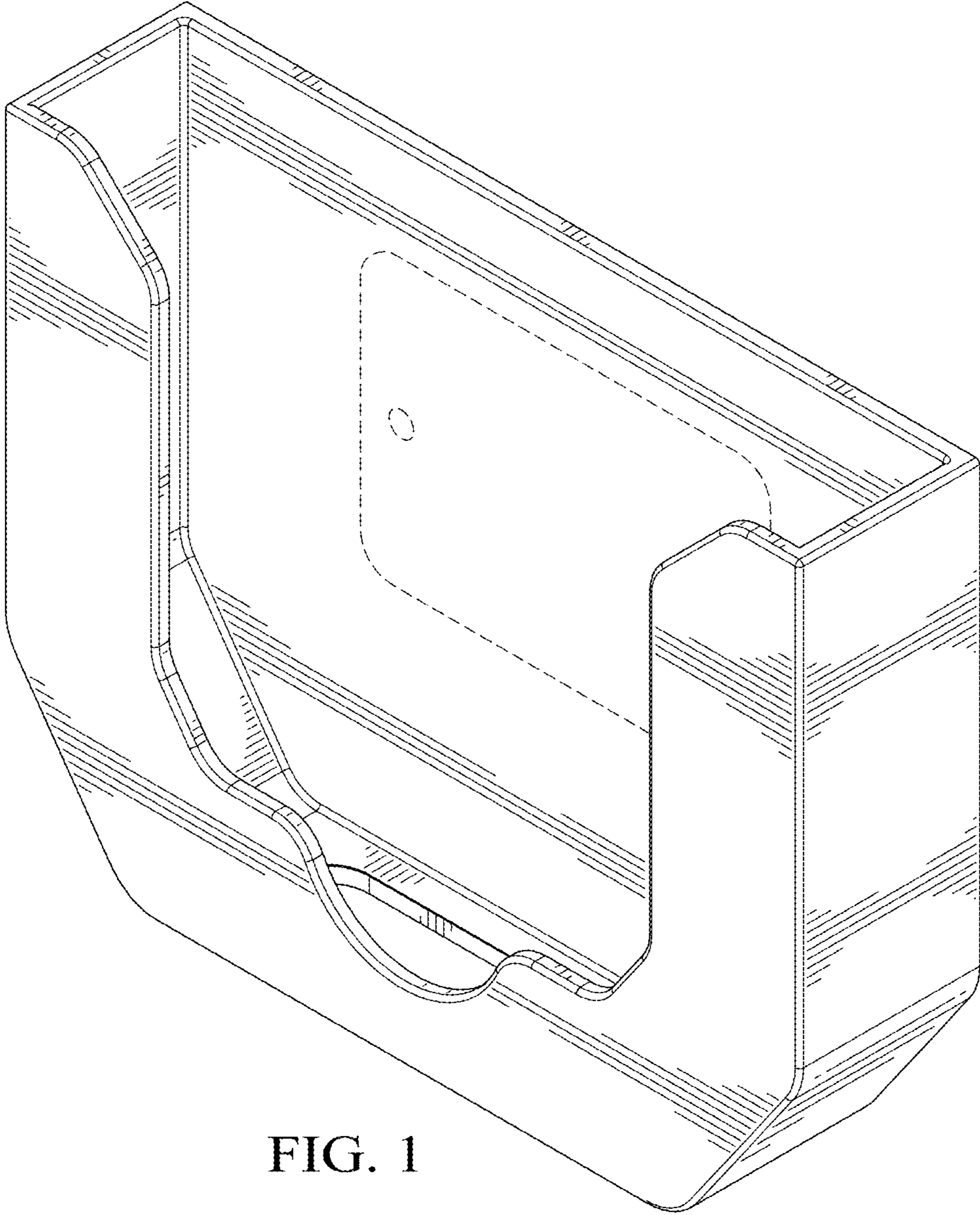


FIG. 1

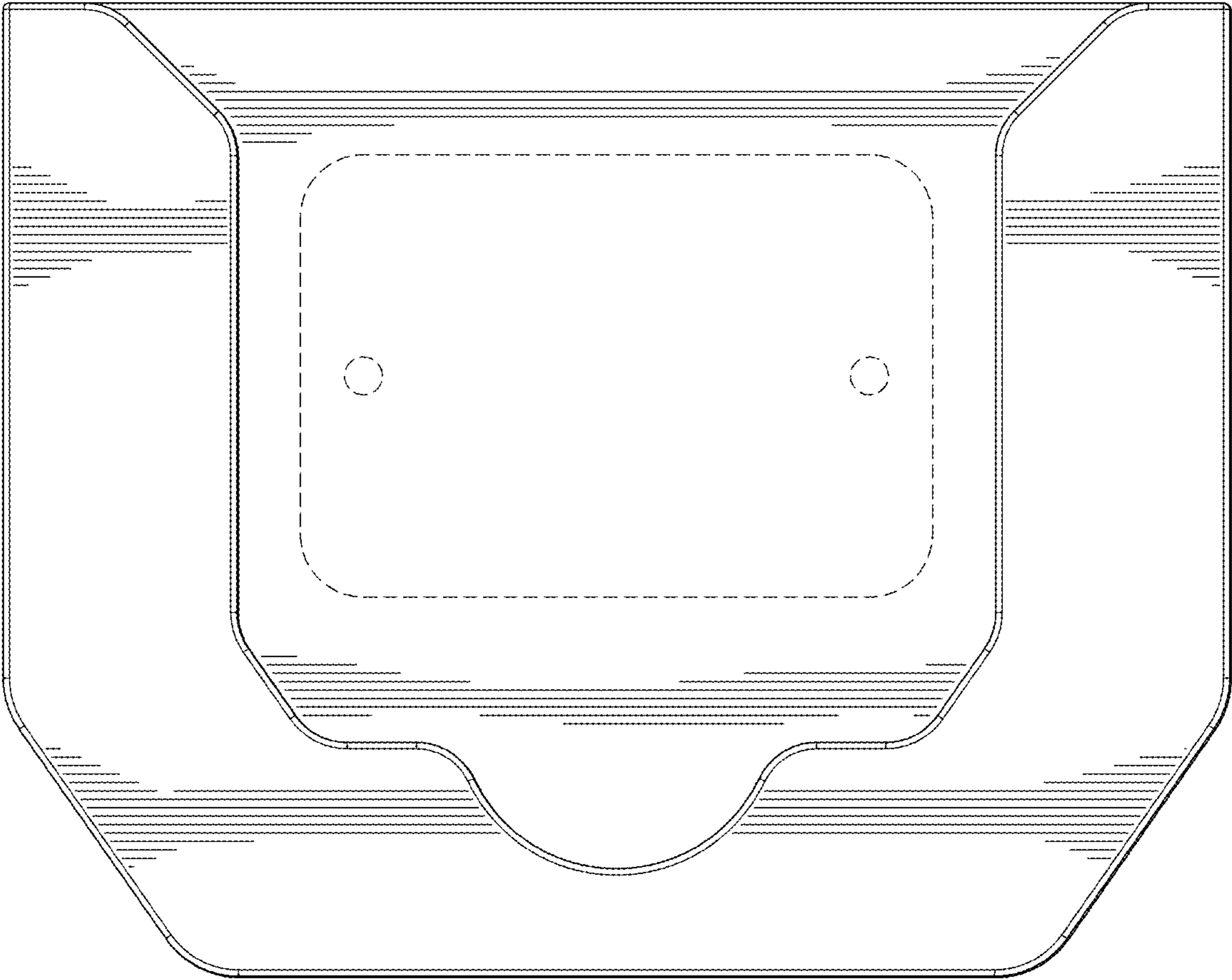


FIG. 2

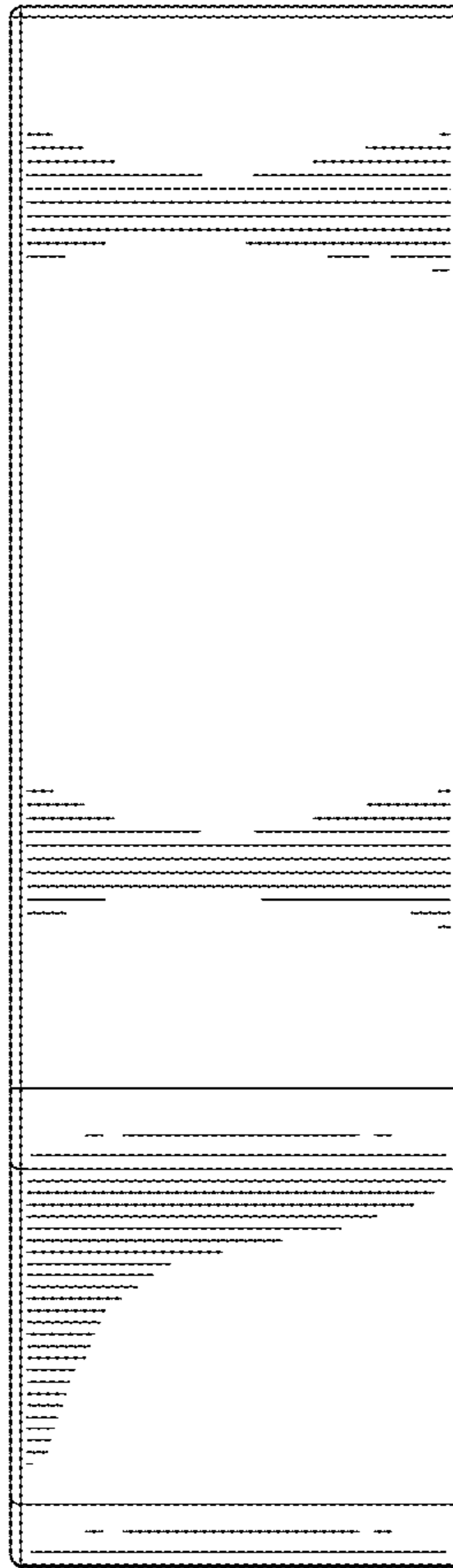


FIG. 3

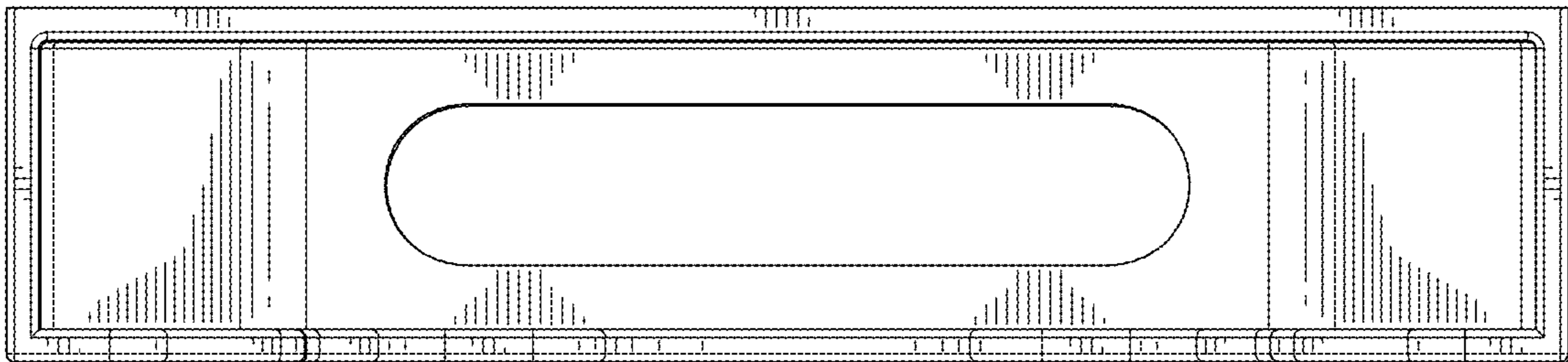


FIG. 4

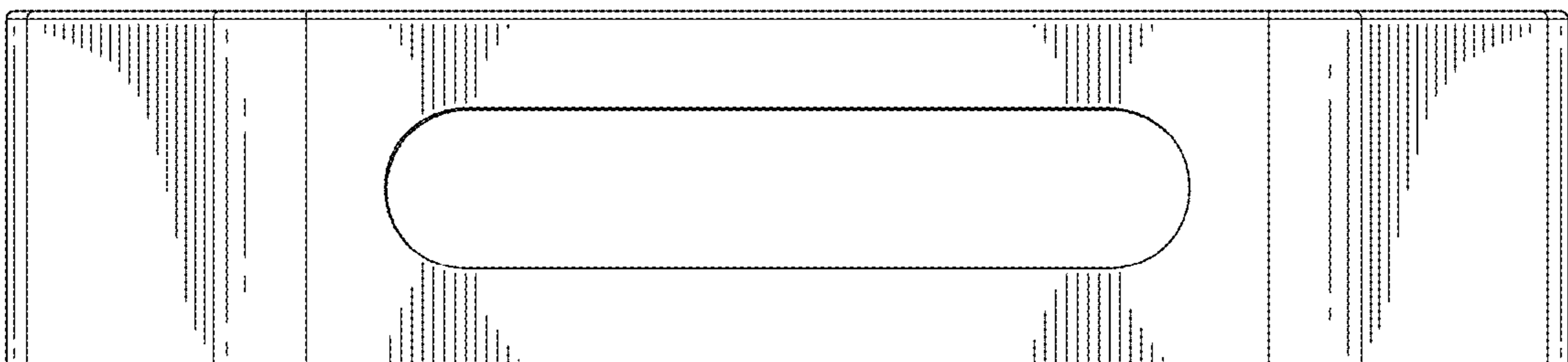


FIG. 5

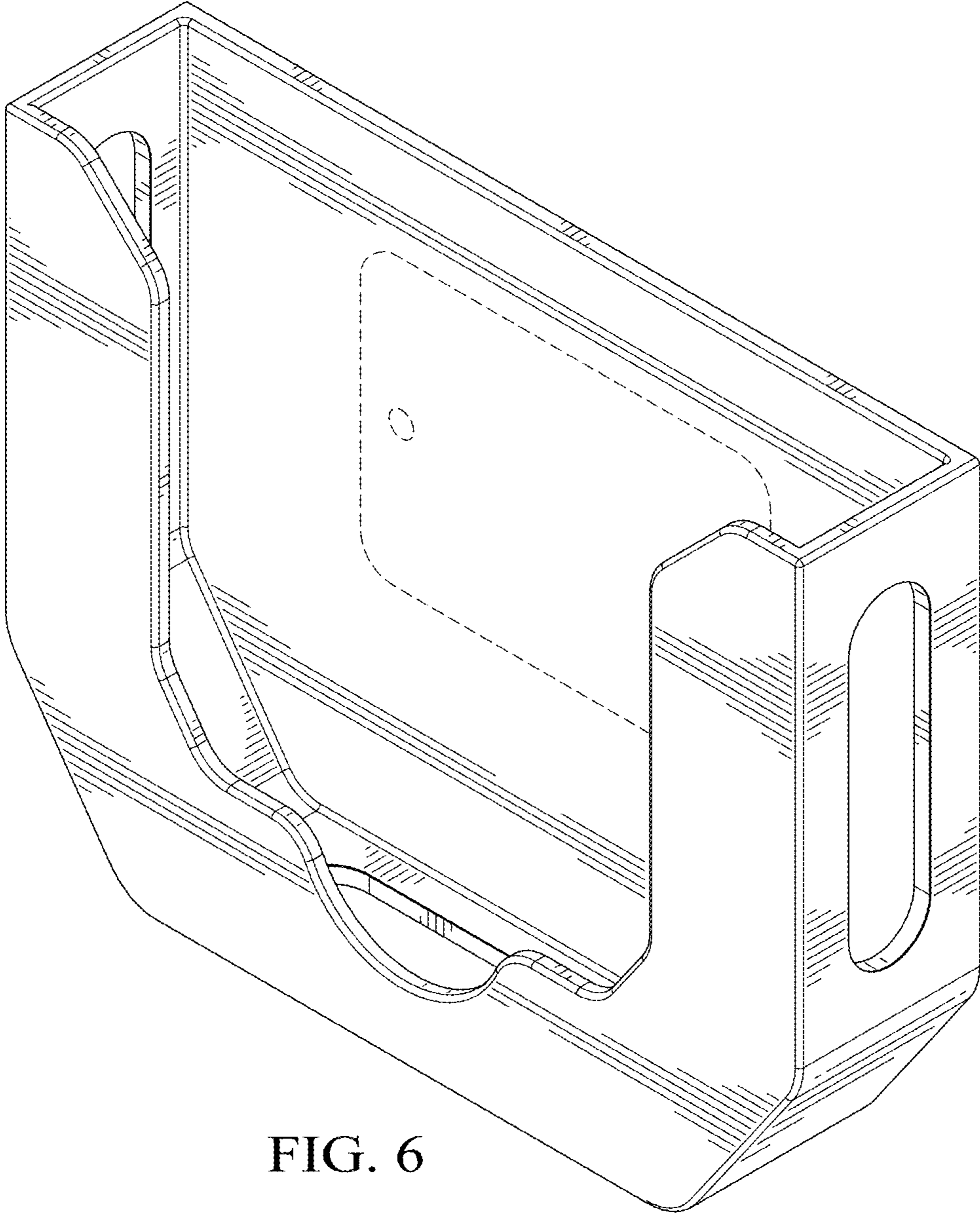


FIG. 6

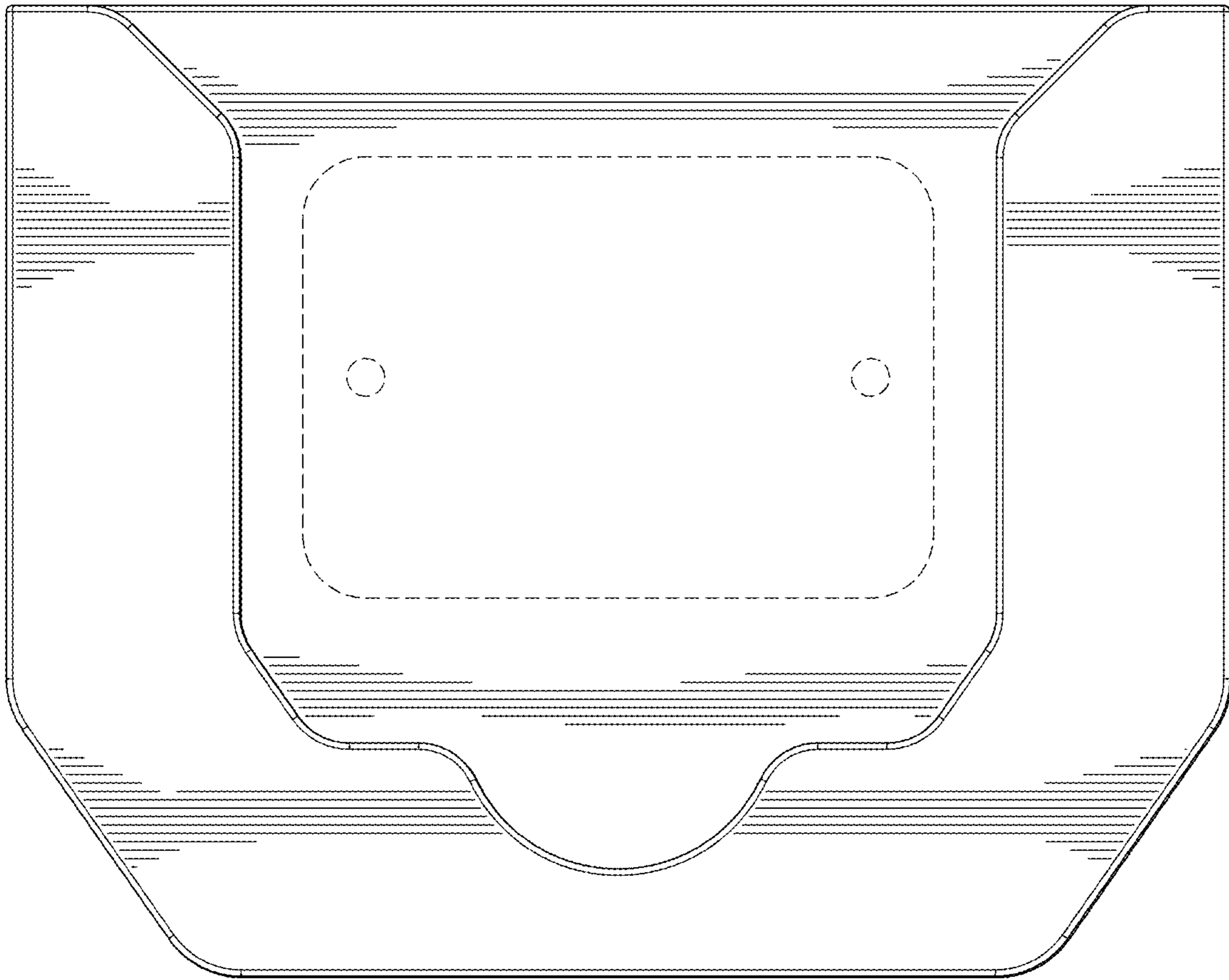


FIG. 7

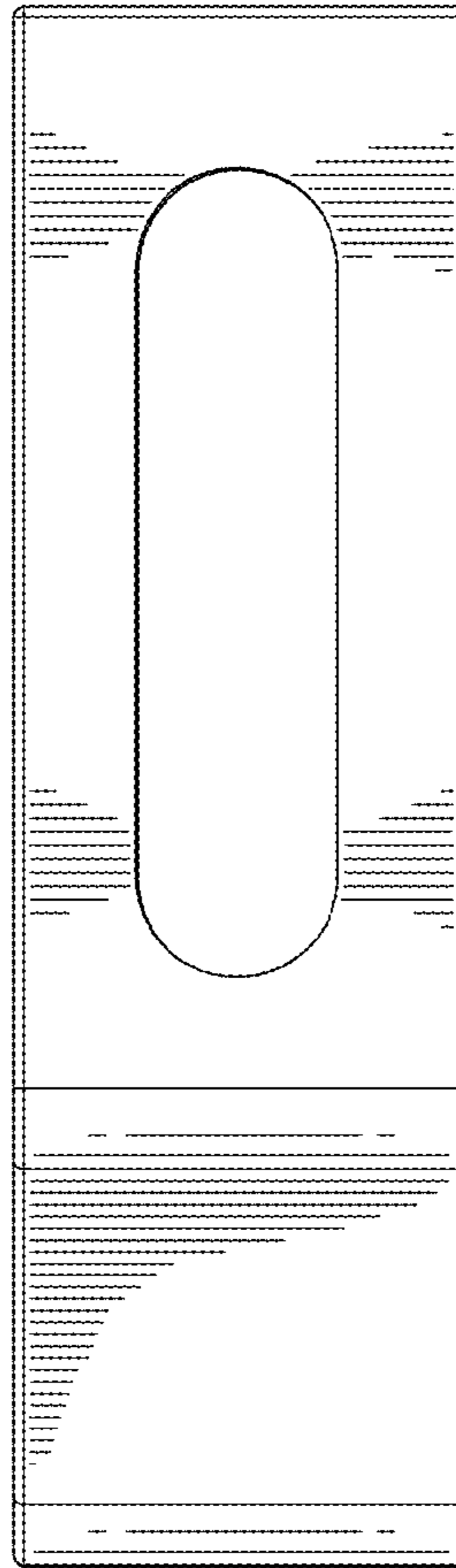


FIG. 8

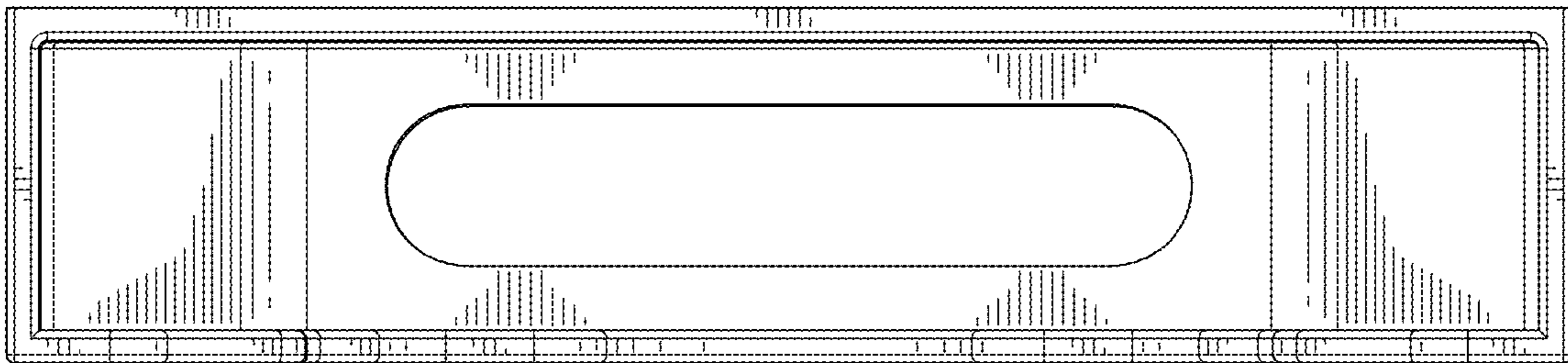


FIG. 9

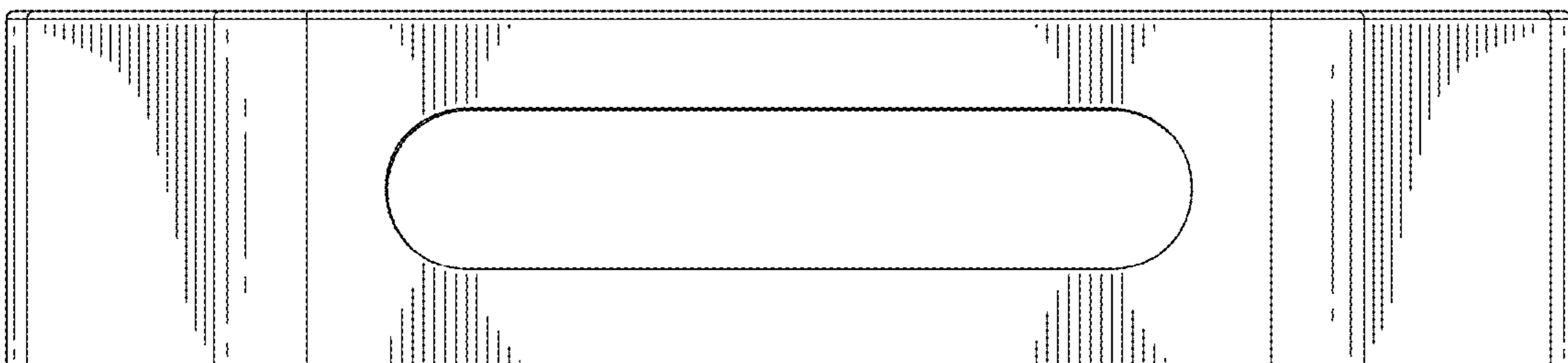


FIG. 10