

US00D877134S

(12) **United States Design Patent** (10) **Patent No.:** **US D877,134 S**  
**Jung** (45) **Date of Patent:** **\*\* Mar. 3, 2020**

(54) **CASE FOR SMART PHONE**

(71) Applicant: **SPIGEN KOREA CO., LTD.**, Seoul (KR)

(72) Inventor: **Soo Ha Jung**, Seoul (KR)

(73) Assignee: **Spigen Korea CO., LTD.**, Seoul (KR)

(\*\*) Term: **15 Years**

(21) Appl. No.: **29/660,184**

(22) Filed: **Aug. 17, 2018**

(51) **LOC (12) Cl.** ..... **14-03**

(52) **U.S. Cl.**  
 USPC ..... **D14/250**

(58) **Field of Classification Search**  
 USPC ..... D3/201, 218, 226, 227, 247, 249, 250,  
 D3/269, 303; D13/103, 107, 108, 119;  
 D14/137, 138 R, 138 AA, 138 C, 138 G,  
 D14/172, 192, 203.3-203.7, 217, 238.1,  
 D14/247, 248, 250-253, 440, 447  
 CPC ..... H04B 1/3888; H04M 1/0283; H04M  
 1/0202; A45C 1/06; A45C 2011/002;  
 A45C 11/00; A45F 2005/028; A45F  
 2200/0525

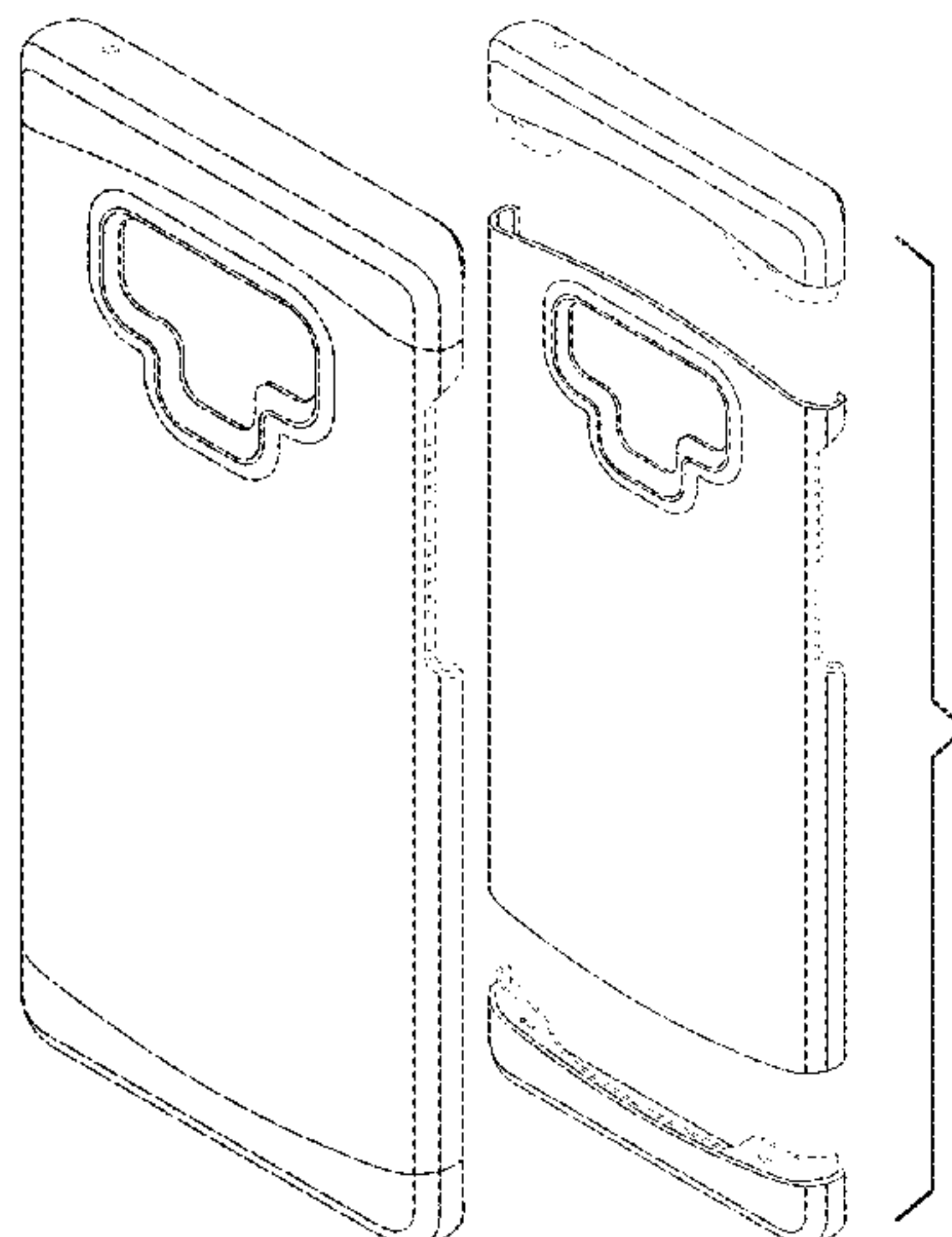
See application file for complete search history.

(56) **References Cited**

**U.S. PATENT DOCUMENTS**

D619,361 S 7/2010 Andre et al.  
 D624,908 S \* 10/2010 Huskinson ..... D14/250  
 D624,909 S \* 10/2010 Huskinson ..... D14/250  
 D626,120 S \* 10/2010 Richardson ..... D14/250  
 D626,121 S \* 10/2010 Richardson ..... D14/250  
 D637,589 S 5/2011 Willes et al.  
 D646,265 S 10/2011 Fathollahi  
 D647,084 S \* 10/2011 Fathollahi ..... D14/250  
 D650,371 S 12/2011 Wibby et al.  
 D663,263 S 7/2012 Gupta et al.  
 D676,432 S \* 2/2013 Hasbrook ..... D14/250  
 D676,844 S 2/2013 Weller et al.  
 D681,615 S 5/2013 Fathollahi  
 D682,196 S 5/2013 Leung  
 8,504,127 B2 8/2013 Altschul et al.

8,517,172 B1 8/2013 Chang  
 D692,419 S \* 10/2013 Rayner ..... D14/250  
 D694,225 S 11/2013 Kim  
 D696,654 S 12/2013 Lee  
 D697,905 S \* 1/2014 Chang ..... D14/250  
 D698,774 S \* 2/2014 Wardy ..... D14/250  
 8,726,952 B2 5/2014 Jambunathan et al.  
 D707,965 S 7/2014 Requa  
 D709,871 S \* 7/2014 Lee ..... D14/250  
 D716,045 S 10/2014 Requa  
 D721,694 S 1/2015 Lee et al.  
 8,971,975 B2 3/2015 Ramies et al.  
 D727,883 S 4/2015 Brand et al.  
 D731,481 S 6/2015 Akana et al.  
 9,049,283 B1 6/2015 Kim  
 D733,693 S 7/2015 Wang et al.  
 D740,794 S 10/2015 Choi et al.  
 D741,845 S 10/2015 Kim  
 D743,931 S 11/2015 Hubbard et al.  
 D744,472 S 12/2015 Lerenthal  
 D744,995 S 12/2015 Lerenthal  
 D746,275 S 12/2015 Mohammad  
 D746,805 S 1/2016 Kim  
 9,241,551 B2 1/2016 Lawson et al.  
 D749,068 S 2/2016 Zaborski et al.  
 D749,557 S 2/2016 Feng  
 D753,099 S 4/2016 Kim  
 D756,911 S 5/2016 Gupta et al.  
 D759,966 S 6/2016 Pignotti  
 D761,239 S 7/2016 Kim  
 D763,842 S 8/2016 Chang et al.  
 D765,628 S 9/2016 Watt et al.  
 D765,635 S 9/2016 Chang et al.  
 D765,638 S 9/2016 Gaylord et al.  
 D765,640 S 9/2016 Bulkley et al.  
 D765,641 S 9/2016 Bulkley et al.  
 D770,435 S \* 11/2016 Daniel ..... D14/250  
 D777,155 S \* 1/2017 Kim ..... D14/250  
 D777,156 S 1/2017 Kim  
 D779,470 S 2/2017 Kim et al.  
 D780,164 S 2/2017 Lee  
 D781,835 S 3/2017 Kim et al.  
 D782,456 S 3/2017 Park et al.  
 D783,602 S 4/2017 Akana et al.  
 D784,309 S 4/2017 Lee et al.  
 D786,233 S 5/2017 Kim  
 D786,846 S 5/2017 Kim et al.  
 D786,849 S 5/2017 Park et al.  
 D786,851 S \* 5/2017 Kim ..... D14/250  
 D786,854 S \* 5/2017 Kim ..... D14/250  
 D787,492 S 5/2017 Kim  
 D788,089 S 5/2017 Park et al.  
 D788,093 S 5/2017 Lee et al.





D789,344 S	*	6/2017	Kim	.....	D14/250
D792,394 S		7/2017	Lee et al.		
D794,624 S	*	8/2017	Fernandes	.....	D14/250
D797,090 S		9/2017	Lee et al.		
D797,092 S		9/2017	To et al.		
D797,093 S	*	9/2017	To	.....	D14/250
D798,286 S		9/2017	Roberts et al.		
D798,853 S		10/2017	Park et al.		
D800,714 S		10/2017	Lee et al.		
D801,322 S		10/2017	Song et al.		
D801,323 S		10/2017	Kim		
D803,206 S	*	11/2017	Kim	.....	D14/250
D805,505 S		12/2017	Wang et al.		
D806,063 S	*	12/2017	Kim	.....	D14/250
D808,955 S		1/2018	Park et al.		
D810,726 S		2/2018	Chou et al.		
2013/0098790 A1	*	4/2013	Hong	.....	A45C 11/00 206/320
2015/0381226 A1	*	12/2015	Mogol	.....	H04B 1/3888 455/575.1

OTHER PUBLICATIONS

“Spigen Slim Armor View Galaxy S4 Case with Automatic Sleep / Wake Feature for Galaxy S4 2013—Soul Black”, <https://www.amazon.com/dp/B00DCCVS5Y>, Earliest review date of Mar. 18, 2013, Downloaded on Feb. 19, 2019.

“Spigen Slim Armor Nexus 5 Case with Air Cushion Technology and Hybrid Drop Protection for Nexus 5 2013—Infinity White”, <https://www.amazon.com/dp/B00EV8Y7XI> Earliest review date of Nov. 4, 2013, Downloaded on Jan. 16, 2019.

“Spigen Slim Armor View Galaxy S5 Case with Automatic Sleep / Wake Feature for Samsung Galaxy S5 2014—View Smooth White”, <https://www.amazon.com/dp/B00KGG02EI>, Earliest review date of Jan. 18, 2014, Downloaded on Jan. 16, 2019.

“Spigen Slim Armor Galaxy S5 Case with Air Cushion Technology and Hybrid Drop Protection for Samsung Galaxy S5 2014—Metal Slate”, <https://www.amazon.com/dp/B0013UWD7C>, Earliest review date of Apr. 11, 2014, Downloaded on Sep. 18, 2018.

“Spigen Slim Armor LG G3 Case with Air Cushion Technology and Hybrid Drop Protection for LG G3 2014—Metal Slate”, <https://www.amazon.com/dp/B00JQI2G5O>, Earliest review date of Jul. 9, 2014, Downloaded on Jan. 16, 2019.

“Spigen Slim Armor Galaxy Note 4 Case with Air Cushion Technology and Hybrid Drop Protection for Samsung Galaxy Note 4 2014—Shimmery White”, <https://www.amazon.com/dp/B00MAWPQJQ>, Earliest review date of Oct. 7, 2014, Downloaded on Jul. 30, 2018.

Spigen Slim Armor Galaxy S6 Edge Case with Kickstand and Air Cushion Technology and Hybrid Drop Protection for Galaxy S6 Edge 2015—Gunmetal, <https://www.amazon.com/dp/B00SV638ZE>, Earliest review date of Apr. 3, 2015, Downloaded on Sep. 18, 2018.

“Spigen Slim Armor Galaxy Note 5 Case with Air Cushion Technology and Hybrid Drop Protection for Galaxy Note 5 2015—Metal Slate”, <https://www.amazon.com/dp/B010MWHIKA>, Earliest review date of Aug. 21, 2015, Downloaded on Jul. 18, 2018.

Korguenkomodo, “Slim Armor case—Galaxy S6 Edge Plus”, Published on Oct. 12, 2015, Downloaded on Mar. 19, 2019.

“Spigen Slim Armor LG V10 Case with Air Cushion Technology and Hybrid Drop Protection for LG V10—Gunmetal”, <https://www.amazon.com/dp/B016X1FODW>, Earliest review date of Nov. 16, 2015, Downloaded on Sep. 18, 2018.

“Spigen Slim Armor Galaxy S7 Edge Case with Kickstand and Air Cushion Technology and Hybrid Drop Protection for Samsung Galaxy S7 Edge 2016—Champagne Gold”, <https://www.amazon.com/dp/B01BEBBWY6>, Earliest review late of Feb. 26, 2016, Downloaded on Sep. 18, 2018.

“Spigen Slim Armor Galaxy S7 Case with Air Cushion Technology and Hybrid Drop Protection for Samsung Galaxy S7 2016—Violet”, <https://www.amazon.com/dp/B01AUR1D8K>, Earliest review date of Mar. 2, 2016, Downloaded on Sep. 18, 2018.

“Spigen Slim Armor LG G5 Case with Air Cushion Technology and Hybrid Drop Protection for LG G5 2016—Shimmery White”,

<https://www.amazon.com/dp/B01B1GOIHA>, Earliest review date of Apr. 7, 2016, Downloaded on Sep. 18, 2018.

“Spigen Slim Armor HTC 10 Case with Kickstand and Air Cushion Technology Hybrid Drop Protection for HTC 10 2016—Champagne Gold”, <https://www.amazon.com/dp/B01DAN2WTA>, Earliest review date of May 6, 2016, Downloaded on Jan. 16, 2019.

“Spigen Slim Armor LG G6 Case with Air Cushion Technology and Hybrid Drop Protection for LG G6 (2017)—Champagne Gold”, <https://www.amazon.com/dp/B01N1395SE>, Earliest review date of Mar. 25, 2017, Downloaded on Sep. 18, 2018.

“Spigen Slim Armor Galaxy A5 2017 Case with Air Cushion Technology and Hybrid Drop Protection with Kickstand for Samsung Galaxy A5 2017—Metal Slate”, <https://www.amazon.com/dp/B01MRA3AAN>, Earliest review date of Apr. 1, 2017, Downloaded on Sep. 18, 2018.

“Spigen Slim Armor Galaxy S8 Plus Case with Air Cushion Technology and Hybrid Drop Protection for Galaxy S8 Plus (2017)—Orchid Gray”, <https://www.amazon.com/dp/B0716CZ3Z1>, Earliest review date of Apr. 8, 2017, Downloaded on Jul. 18, 2018.

“Spigen Tough Armor Galaxy S5 Case with Extreme Heavy Duty Protection and Air Cushion Technology for Samsung Galaxy S5 2014—Gunmetal”, <https://www.amazon.com/Spigen-Extreme-Protection-Cushion-Technology/dp/B00I3UWDV8>, Earliest review date of Mar. 9, 2014, Downloaded on Aug. 9, 2018.

“Spigen Tough Armor Galaxy Note 4 Case with Extreme Heavy Duty Protection and Air Cushion Technology for Samsung Galaxy Note 4 2014—Gunmetal”, <https://www.amazon.com/dp/B00MAWQU14>, Earliest review date of Oct. 9, 2014, Downloaded on Aug. 31, 2018.

“Spigen Tough Armor Galaxy S6 Edge Case with Kickstand and Extreme Heavy Duty Protection and Air Cushion Technology for Galaxy S6 Edge 2015—Gunmetal”, <https://www.amazon.com/dp/B00SV63L38>, Earliest review date of Mar. 12, 2015, Downloaded on Aug. 9, 2018.

“Spigen Tough Armor Galaxy S6 Case with Kickstand and Air Cushion Techonology for Galaxy S6 2015—Gunmetal”, <https://www.amazon.com/dp/B00QU4PUKK>, Earliest review date of Mar. 23, 2015, Downloaded on Aug. 9, 2018.

“Spigen Tough Armor Galaxy S7 Edge Case with Kickstand and Extreme Heavy Duty Protection and Air Cushion Technology for Samsung Galaxy S7 Edge 2016—Gunmetal”, <https://www.amazon.com/dp/B01A7IDNWQ>, Earliest review date of Feb. 24, 2016, Downloaded on Aug. 9, 2018.

“Spigen Tough Armor Galaxy S7 Case with Extreme Heavy Duty Protection and Air Cushion Technology for Samsung Galaxy S7 2016—Gunmetal”, <https://www.amazon.com/dp/B01A7ID3PS>, Earliest review date of Feb. 25, 2016, Downloaded on Aug. 9, 2018.

“Spigen Tough Armor LG G5 Case with Reinforced Kickstand and Heavy Duty Protection and Air Cushion Technology for LG G5 (2016)—Gunmetal”, <https://www.amazon.com/dp/B01B1GQL61>, Earliest review date of Mar. 11, 2016, Downloaded on Aug. 9, 2018.

“Spigen Tough Armor Google Pixel Case with Kickstand and Heavy Duty Air Cushion Technology Protection for Google Pixel 2016—Black”, <https://www.amazon.com/Spigen-Kickstand-Cushion-Technology-Protection/dp/B01M12Z4PY>, Earliest review date of Oct. 20, 2016, Downloaded on Aug. 9, 2018.

“Spigen Tough Armor Google Pixel XL Case with Kickstand and Heavy Duty Air Cushion Technology Protection for Google Pixel XL 2016—Gunmetal”, <https://www.amazon.com/Spigen-Kickstand-Cushion-Technology-Protection/dp/B01LZGCH6E>, Earliest review date of Oct. 21, 2016, Downloaded on Aug. 9, 2018.

“Spigen Tough Armor LG V20 Case with Kickstand and Extreme Heavy Duty Protection and Air Cushion Technology for LG V20—Gunmetal”, <https://www.amazon.com/Spigen-Kickstand-Extreme-Protection-Technology/dp/B01M9F154B>, Earliest review date of Dec. 2, 2016, Downloaded on Aug. 9, 2018.

“Spigen Tough Armor LG G6 Case with Extreme Heavy Duty Protection and Air Cushion Technology for LG G6 (2017)—Black”, <https://www.amazon.com/dp/B01MR8C4RY>, Earliest review date of Mar. 26, 2017, Downloaded on Aug. 3, 2018.

“Spigen Tough Armor Galaxy S8 Plus Case with Reinforced Kickstand and Heavy Duty Protection and Air Cushion Technology for



Samsung Galaxy S8 Plus (2017)—Black”, <https://www.amazon.com/dp/B06XP4FP8N>, Earliest review late of Apr. 8, 2017, Downloaded on Aug. 9, 2018.

“Spigen Tough Armor Galaxy S8 Case with Kickstand and Extreme Heavy Duty Protection and Air Cushion Technology for Samsung Galaxy S8 (2017)—Black”, <https://www.amazon.com/dp/B06XNVPGC2>, Earliest review date of Apr. 9, 2017, Downloaded on Aug. 9, 2018.

“Spigen Air Skin iPhone 6 Case with Semi-transparent Lightweight Material for iPhone 6S / iPhone 6—Mint”, <https://www.amazon.com/Spigen-iPhone-Semi-transparent-Lightweight-Material-x/dp/B00LXIBC0U>, Earliest review date of Sep. 11, 2014, Downloaded on Jan. 28, 2019.

“Spigen Air Skin iPhone 6 Plus Case with Semi-transparent Lightweight Material for iPhone 6 Plus—Azalea Pink”, <https://www.amazon.com/Spigen-iPhone-Semi-transparent-Lightweight-Material/dp/B00MEZ50YK>, Earliest review date of Sep. 13, 2014, Downloaded on Jan. 28, 2019.

“Spigen Air Skin iPhone 6S Plus Case with Semi-Transparent Lightweight Material for iPhone 6S Plus 2015 - Soft clear”, <https://www.amazon.com/Spigen-iPhone-Semi-Transparent-Lightweight-Material/dp/B010MVQZTQ>, Earliest review date of Aug. 26, 2015, Downloaded on Jan. 28, 2019.

“Spigen Air Skin iPhone 6S Case with Semi-Transparent Lightweight Material for iPhone 6S 2015—Soft Clear”, <https://www.amazon.com/Spigen-iPhone-Semi-Transparent-Lightweight-Material/dp/B010MVJIIG>, Earliest review date of Sep. 9, 2015, Downloaded on Jan. 28, 2019.

“Spigen Air Skin iPhone 8 Plus Case/iPhone 7 Plus Case with Semi-Transparent Lightweight Material for Apple iPhont, 3 Plus (2017) / Apple iPhone 7 Plus (2016)—Black”, <https://www.amazon.com/Spigen-iPhone-Semi-Transparent-Lightweight-Material/dp/B01M038X90>, Earliest review date of Sep. 8, 2015, Downloaded on Jan. 28, 2019.

“Spigen Air Skin iPhone 8 Case/iPhone 7 Case with Semi—Transparent Lightweight Material for Apple iPhone 8 / iPhone 7 (2016)—Black”, <https://www.amazon.com/Spigen-iPhone-Semi-Transparent-Lightweight-Material/dp/B01M11XVRA>, Earliest review date of Sep. 13, 2016, Downloaded on Jan. 28, 2019.

“Spigen Air Skin iPhone 6s Case with Semi-Transparent Lightweight Material for iPhone 6S (2015)—Black”, <https://www.amazon.com/dp/B01NBMU1LK>, Earliest review date of Apr. 6, 2017, Downloaded on Jan. 28, 2019.

“Spigen Air Skin Galaxy S8 Case with Semi- Transparent Lightweight Material for Samsung Galaxy S8 (2017)—Soft clear”, <https://www.amazon.com/dp/B06XNVPCV8>, Earliest review date of Apr. 16, 2017, Downloaded on Jan. 28, 2019.

“Spigen Air Skin Galaxy S8 Plus Case with Semi-Transparent Lightweight Material for Galaxy S8 Plus (2017)—Black”, <https://www.amazon.com/dp/B06XP5JSRL>, Earliest review date of Apr. 19, 2017, Downloaded on Jan. 28, 2019.

\* cited by examiner

Primary Examiner — Susan E Krakower

Assistant Examiner — L. A. Grabenstetter

(74) *Attorney, Agent, or Firm* — Heedong Chae; Lucern, PC

(57)

### CLAIM

The ornamental design for a case for smart phone, as shown and described.

### DESCRIPTION

FIG. 1 is a front perspective view of a case for smart phone showing my new design;

FIG. 2 is a rear perspective view thereof;

FIG. 3 is a front elevational view thereof;

FIG. 4 is a rear elevational view thereof;

FIG. 5 is a left side elevational view thereof;

FIG. 6 is a right side elevational view thereof;

FIG. 7 is an enlarged top plan view thereof;

FIG. 8 is an enlarged bottom plan view thereof;

FIG. 9 is an enlarged front perspective view of the upper frame component of the case shown separately for clarity of disclosure;

FIG. 10 is an enlarged rear perspective view of the upper frame component of the case shown separately for clarity of disclosure;

FIG. 11 is an enlarged front perspective view of the middle frame component of the case shown separately for clarity of disclosure;

FIG. 12 is an enlarged rear perspective view of the middle frame component of the case shown separately for clarity of disclosure;

FIG. 13 is an enlarged front perspective view of the bottom frame component of the case shown separately for clarity of disclosure;

FIG. 14 is an enlarged rear perspective view of the bottom frame component of the case shown separately for clarity of disclosure;

FIG. 15 is an exploded front perspective view showing the components of the case separated for clarity of disclosure; and,

FIG. 16 is an exploded rear perspective view showing the components of the case separated for clarity of disclosure.

Although the case for smart phone in which the claimed design is embodied consists of an upper frame, a middle frame, and a bottom frame, the claim is directed to the ornamental appearance of the case for smart phone in its entirety and does not extend to the ornamental appearance of each of the individual components in isolation.

The broken lines throughout the drawing figures depict portions of the case that form no part of the claimed design. The broken lines and regions bounded by broken lines form no part of the claimed design.

1 Claim, 16 Drawing Sheets

FIG. 1

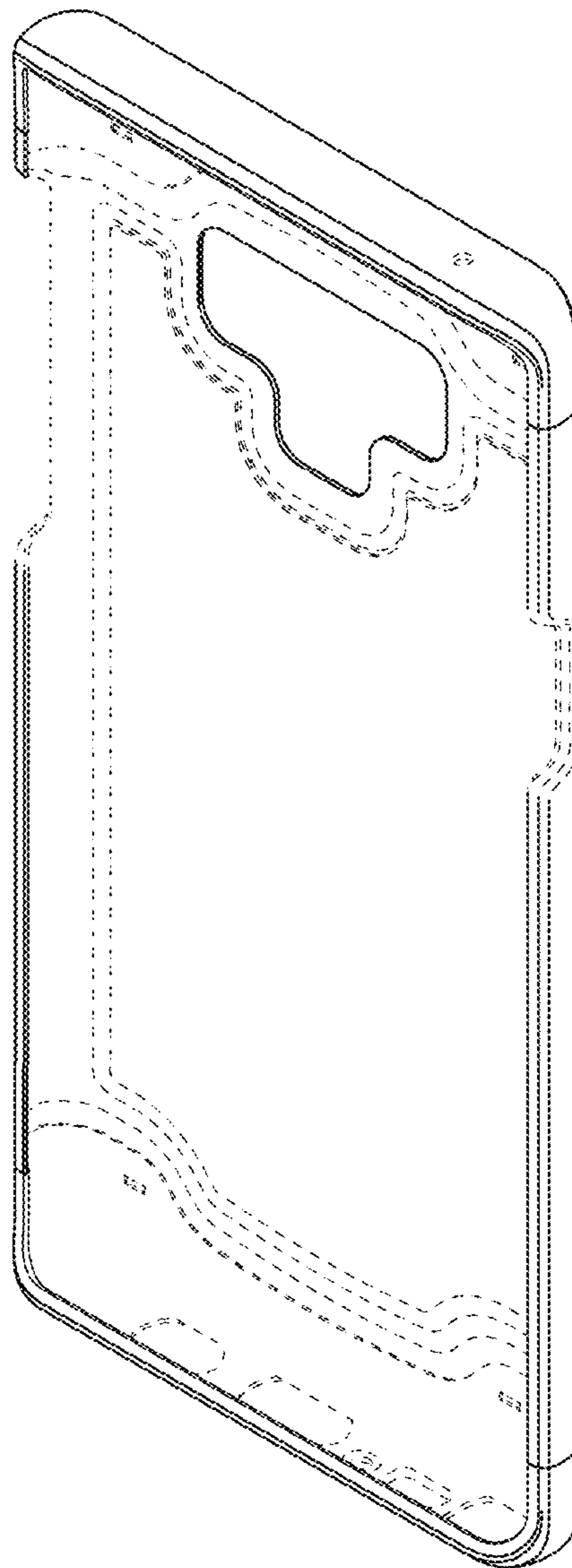


FIG. 2

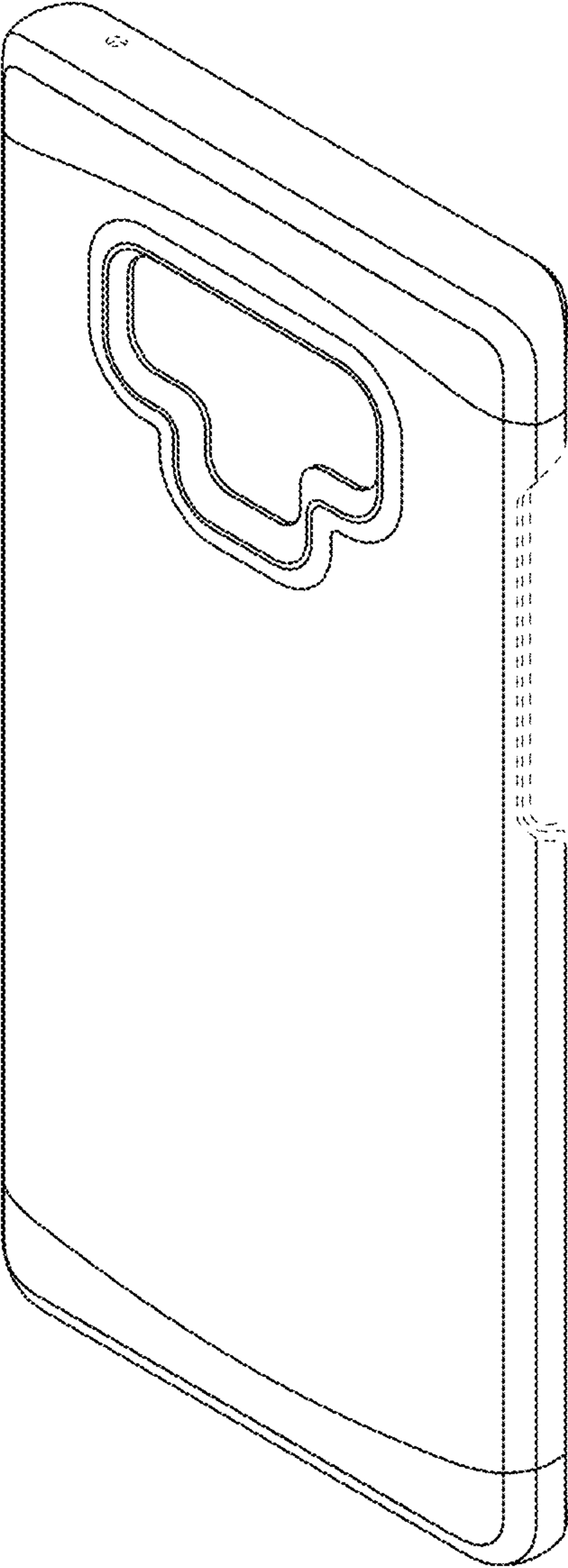


FIG. 3

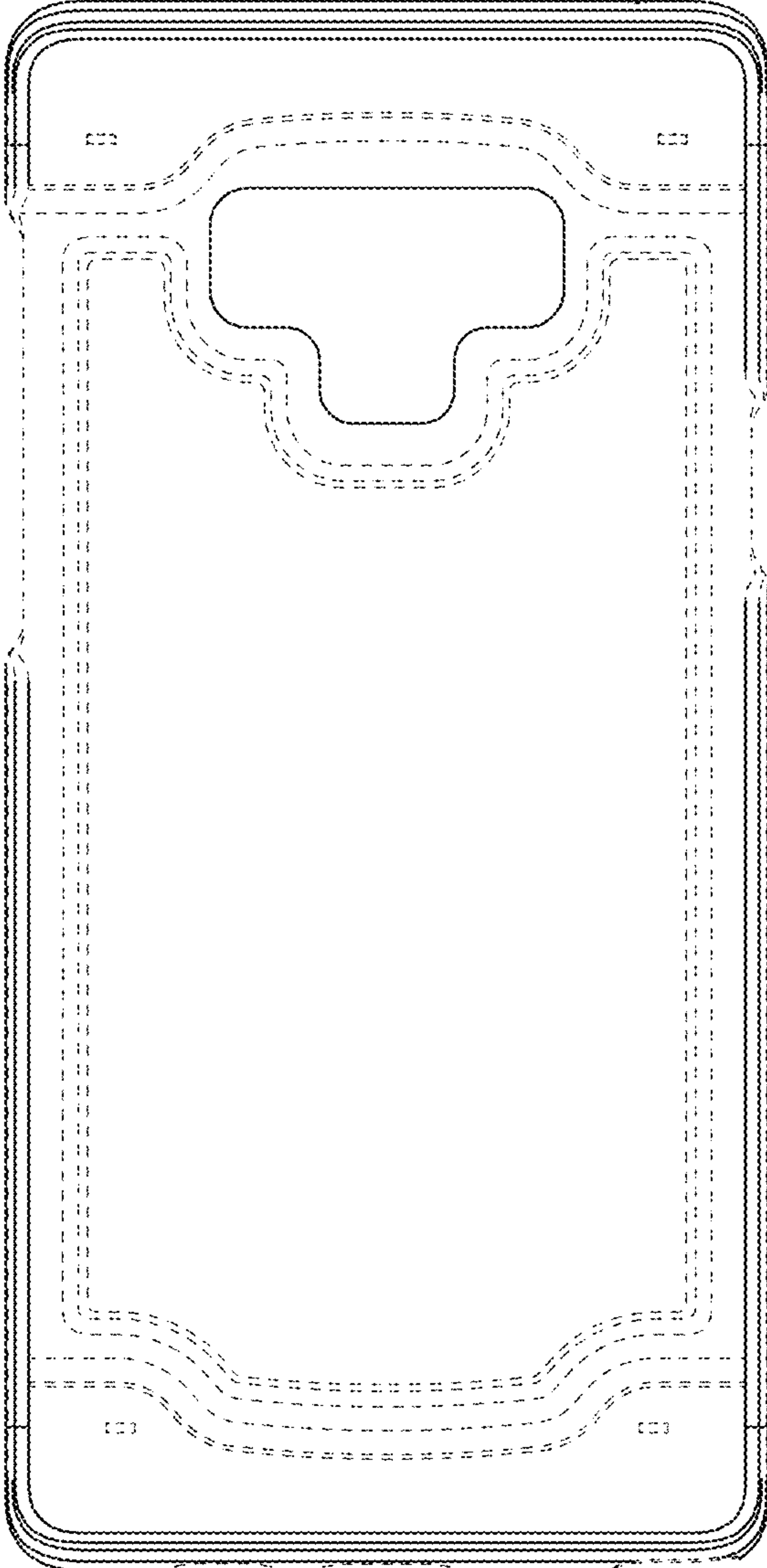




FIG. 4

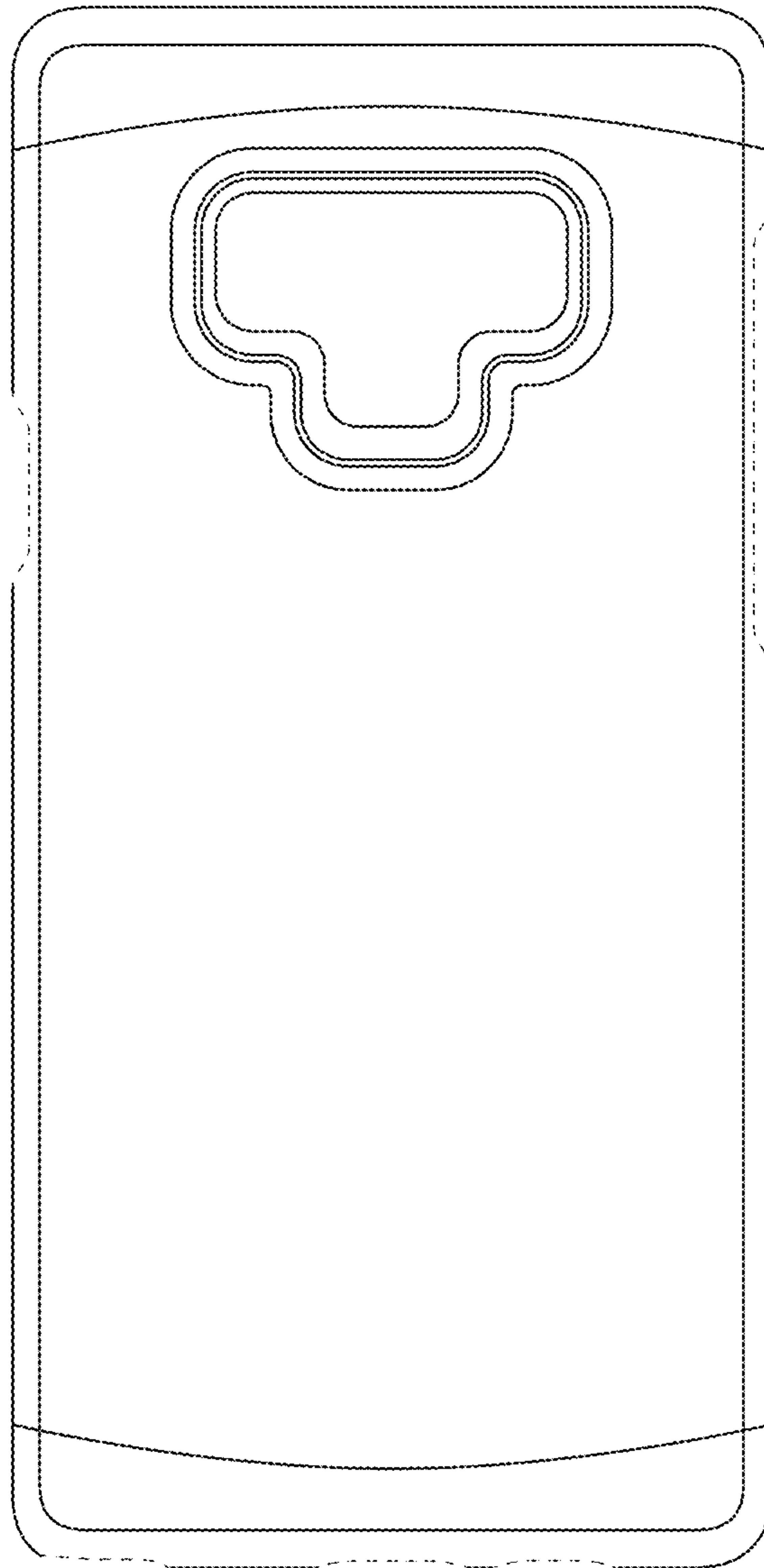


FIG. 5

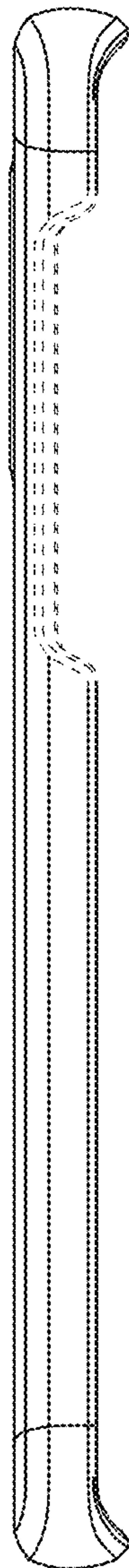




FIG. 6

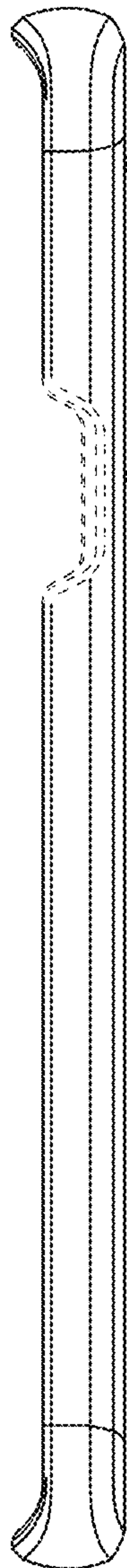


FIG. 7

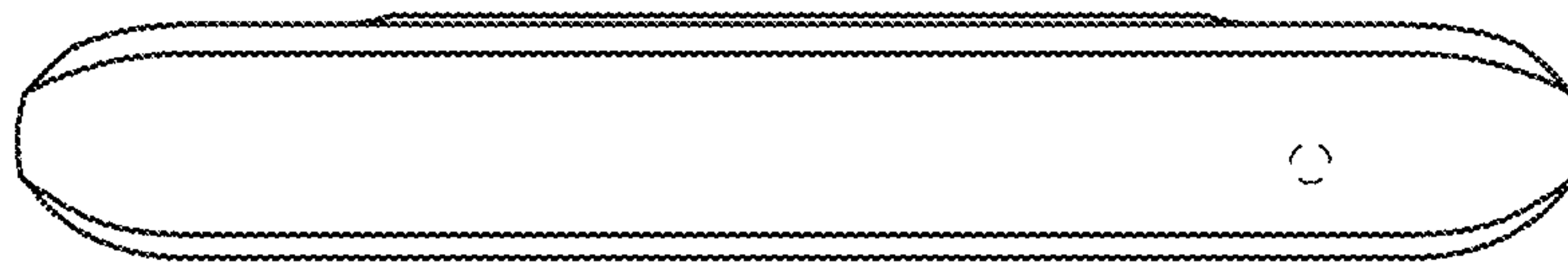


FIG. 8





FIG. 9

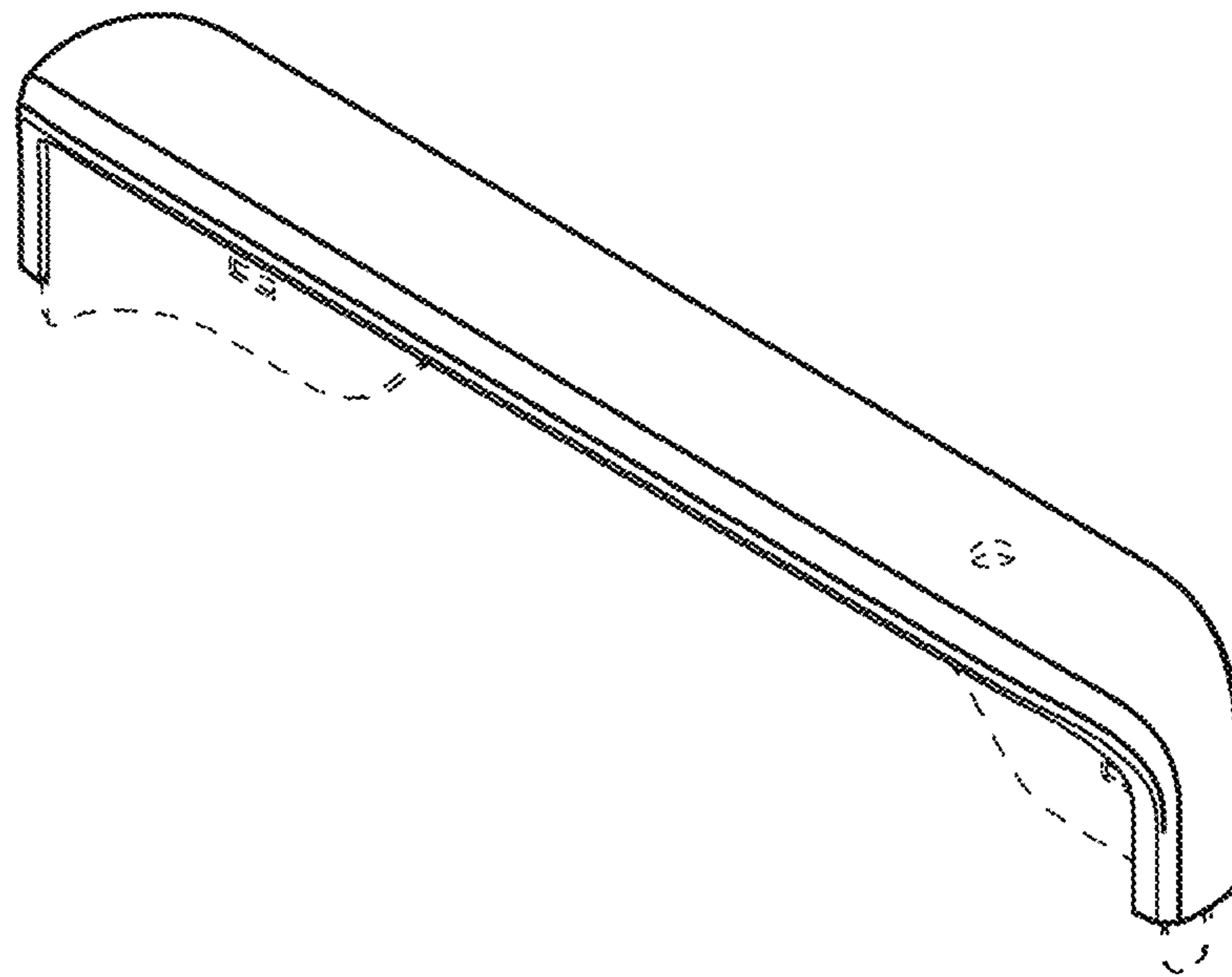


FIG. 10

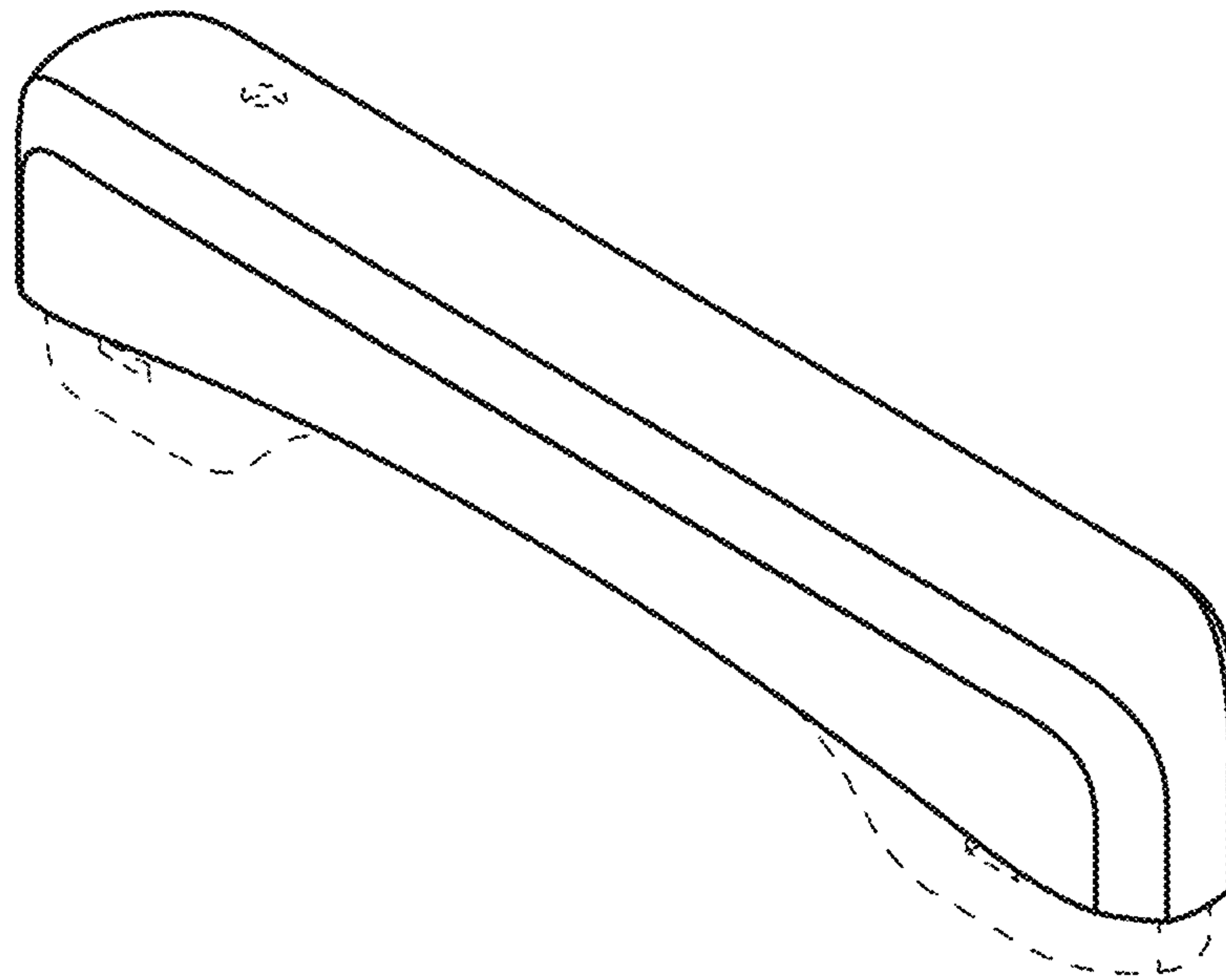


FIG. 11

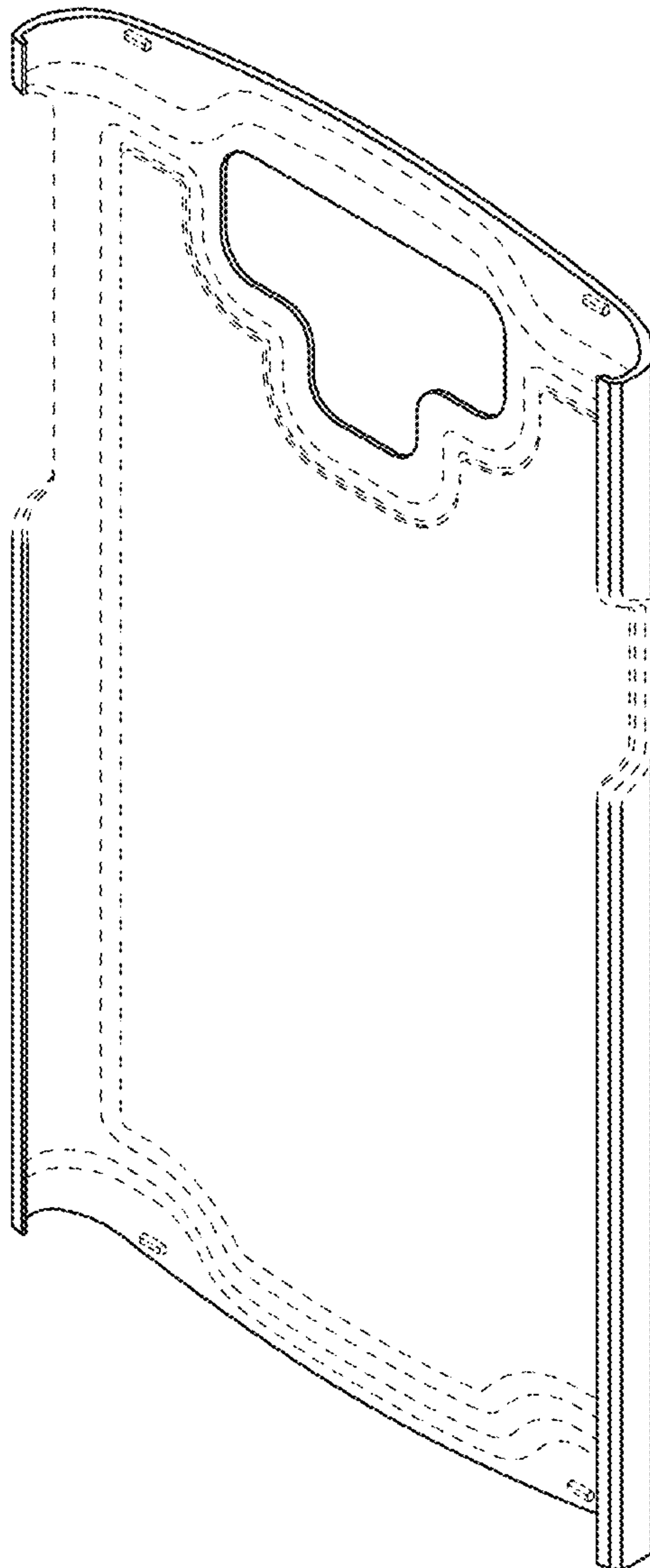




FIG. 12

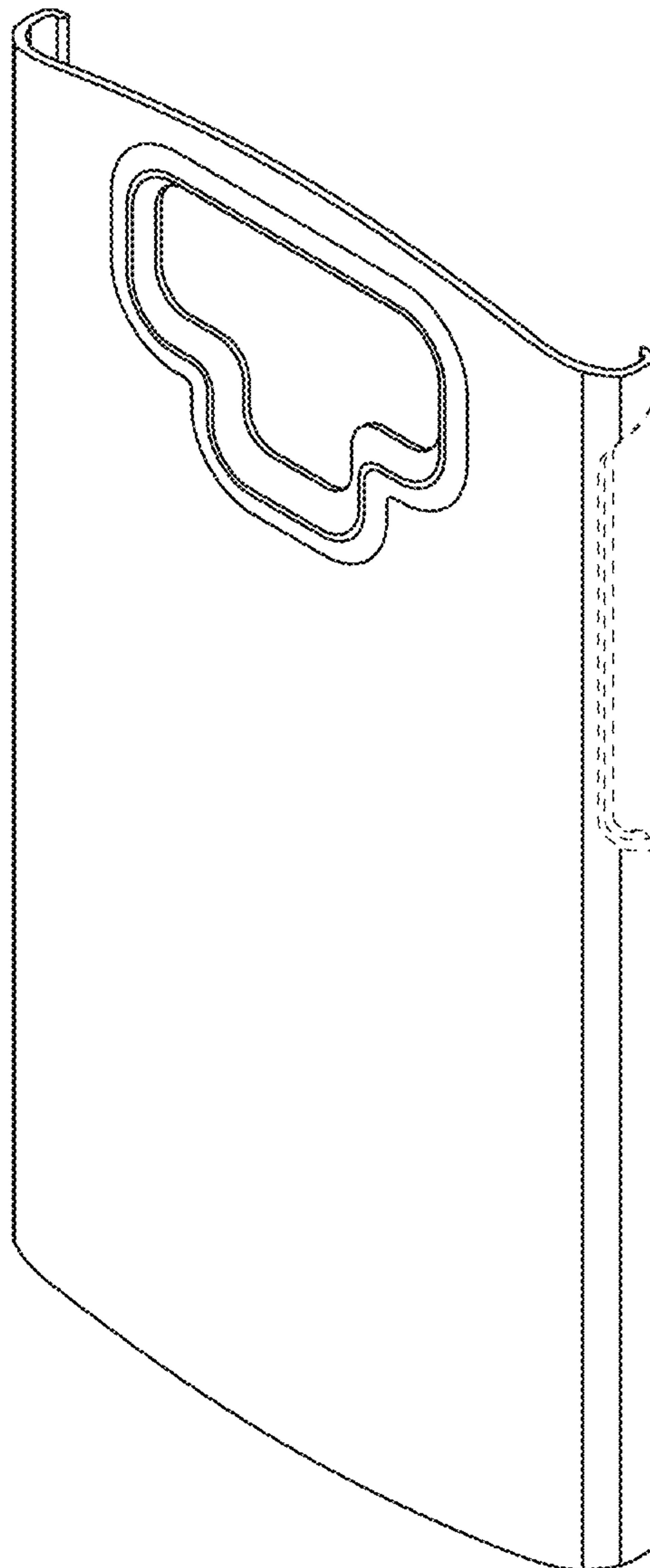


FIG. 13

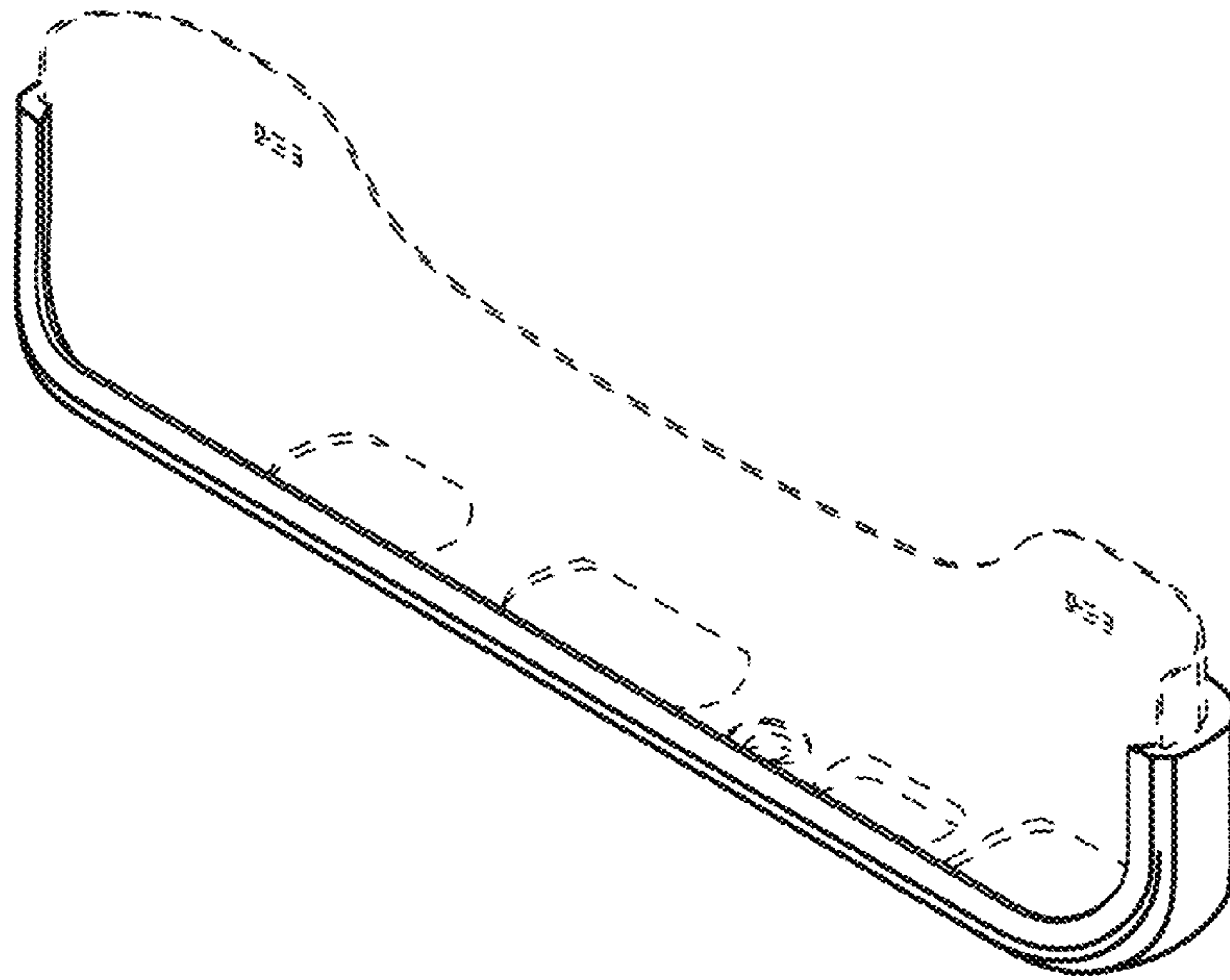


FIG. 14

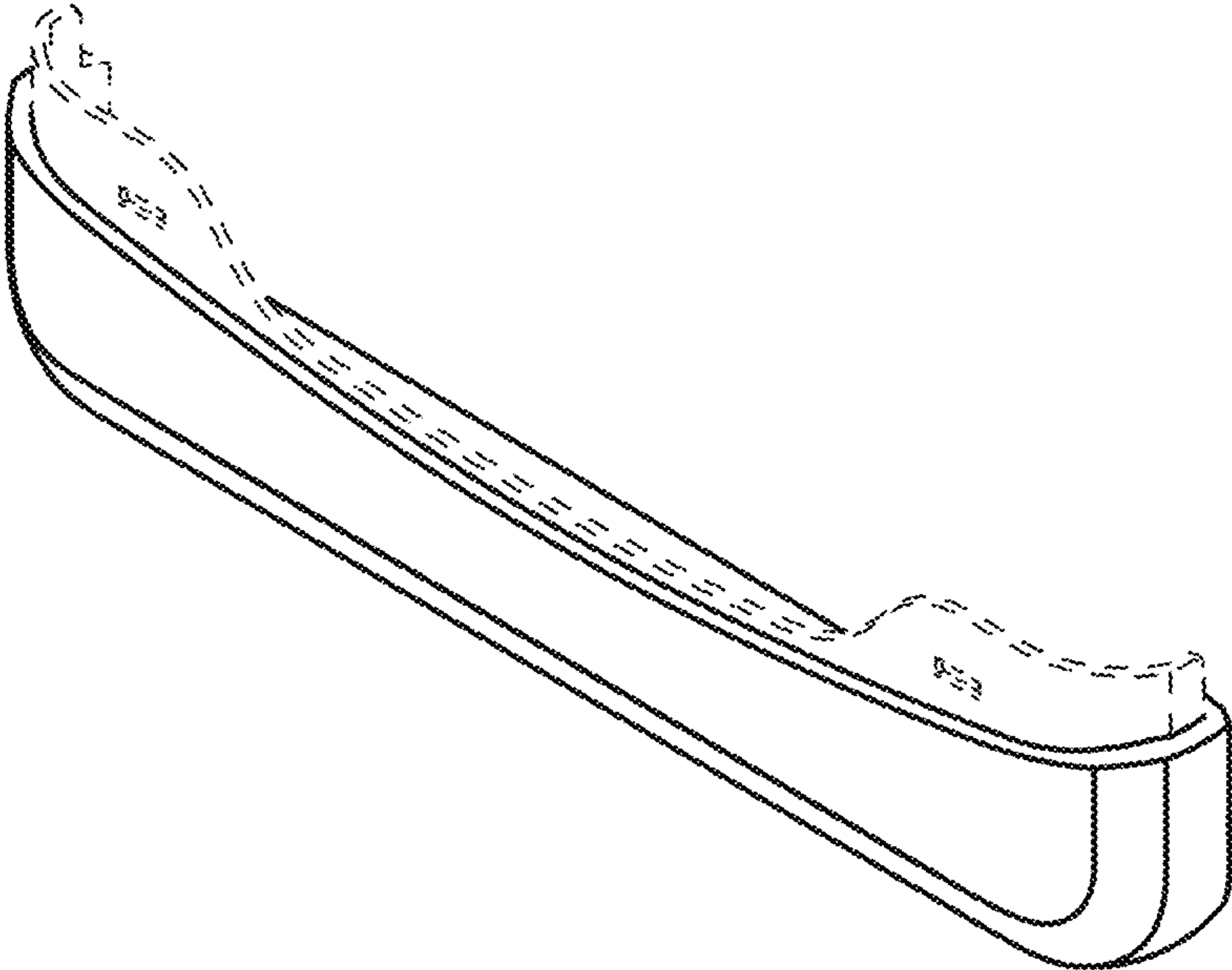






FIG. 16

