

US00D877133S

(12) **United States Design Patent**
Lee et al.

(10) **Patent No.:** **US D877,133 S**
(45) **Date of Patent:** **** Mar. 3, 2020**

(54) **CASE FOR ELECTRONIC DEVICES**

(71) Applicant: **SPIGEN KOREA CO., LTD.**, Seoul (KR)

(72) Inventors: **Jong Hwa Lee**, Seoul (KR); **Bum Joon Lee**, Seoul (KR)

(73) Assignee: **SPIGEN KOREA CO., LTD.**, Seoul (KR)

(**) Term: **15 Years**

(21) Appl. No.: **29/641,935**

(22) Filed: **Mar. 26, 2018**

(51) **LOC (12) Cl.** **14-03**

(52) **U.S. Cl.**
USPC **D14/250**

(58) **Field of Classification Search**

USPC D3/201, 218, 226, 227, 247, 249, 250, D3/269, 303; D13/103, 107, 108, 119; D14/137, 138 R, 138 AA, 138 C, 138 G, D14/172, 192, 203.3–203.7, 217, 238.1, D14/247, 248, 250–253, 440, 447
CPC H04B 1/3888; H04M 1/0283; H04M 1/0202; A45C 1/06; A45C 2011/002; A45C 11/00; A45F 2005/028; A45F 2200/0525

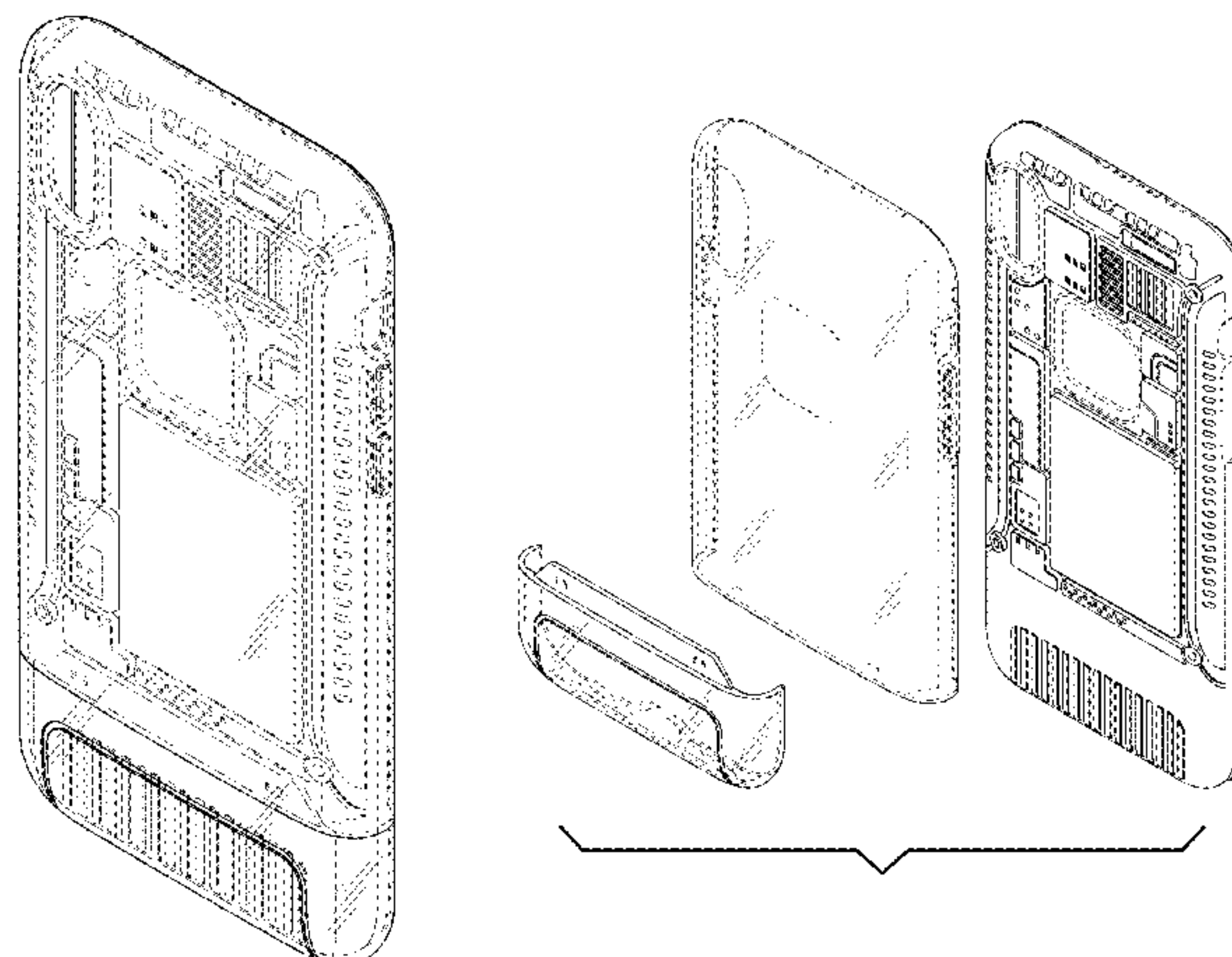
See application file for complete search history.

(56) **References Cited**

U.S. PATENT DOCUMENTS

D363,920 S * 11/1995 Roberts D13/182
D452,041 S * 12/2001 Freeman D28/8.2
D471,167 S * 3/2003 Ebihara D13/182
D471,524 S * 3/2003 Ebihara D13/182
D505,925 S * 6/2005 Koo D13/182
D575,056 S 8/2008 Tan
D576,577 S * 9/2008 Kobayashi D13/182
D597,067 S 7/2009 Oh et al.
7,612,997 B1 11/2009 Diebel
D609,463 S 2/2010 Bullen
D618,230 S 6/2010 Brown
D623,180 S 9/2010 Diebel
D623,640 S 9/2010 Freeman

D624,909 S 10/2010 Huskinson
D626,121 S 10/2010 Richardson et al.
D626,538 S 11/2010 Brown et al.
D626,539 S 11/2010 Brown et al.
D626,540 S 11/2010 Brown et al.
D637,589 S 5/2011 Willes et al.
D642,169 S 7/2011 Andre et al.
D644,218 S 8/2011 Akana et al.
D646,264 S 10/2011 Dong
D646,265 S 10/2011 Fathollahi
D647,072 S * 10/2011 Bentley D13/182
D647,084 S 10/2011 Fathollahi
D652,031 S 1/2012 Fahrendorff
D654,068 S 2/2012 Monaco et al.
D658,165 S 4/2012 Freeman
D662,923 S 7/2012 Piedra et al.
D669,458 S 10/2012 Wilson et al.
8,286,789 B2 10/2012 Wilson
D676,432 S 2/2013 Hasbrook
D676,844 S 2/2013 Weller
D678,869 S 3/2013 Diebel
8,457,701 B2 6/2013 Diebel
D685,779 S * 7/2013 Schriefer D14/250
D687,027 S 7/2013 Melanson
D694,222 S * 11/2013 Thompson D14/238.1
D694,743 S 12/2013 Monaco
D696,239 S 12/2013 Murchison et al.
D698,774 S 2/2014 Wardy
D703,197 S 4/2014 Melanson et al.
D711,860 S 8/2014 Daniel
D712,892 S 9/2014 Hong et al.
D718,293 S 11/2014 Namminga
D718,754 S 12/2014 To et al.
D718,755 S 12/2014 To et al.
D719,559 S 12/2014 Dukerschein et al.
D720,737 S * 1/2015 Chen D14/250
D721,360 S 1/2015 Laffon de Mazieres et al.
D721,687 S 1/2015 To
D723,531 S * 3/2015 Katzke D14/250
D727,885 S * 4/2015 Requa D14/250
9,004,275 B2 4/2015 Lee
D735,184 S 7/2015 Lee
D738,857 S * 9/2015 Kim D14/217
D739,383 S * 9/2015 Park D14/217
D740,798 S 10/2015 Poon et al.
D745,476 S * 12/2015 Ronse D13/182
D749,552 S * 2/2016 Jia D14/250
D754,115 S * 4/2016 Lin D14/250
D755,167 S * 5/2016 Chen D14/248
D765,643 S 9/2016 Witter
D779,470 S 2/2017 Kim et al.
D780,742 S 3/2017 Guerdum
D799,438 S * 10/2017 Takahashi D13/182



D819,622 S 6/2018 Wright
 2011/0259664 A1 10/2011 Freeman
 2016/0056856 A1 2/2016 Diebel

OTHER PUBLICATIONS

“Totally Clear iPhone X Mod!”, posted Nov. 8, 2017, [online][site visited Jan. 24, 2019]<URL: <https://www.youtube.com/watch?v=m7lJrUtIm64>> (Year: 2017).*

Make your iPhone look like an iMac G3 with these limited-edition cases, SPigen Classic C1 cases, publication date May 15, 2018, [online][site visited Oct. 8, 2019] URL: <https://www.digitalartsonline.co.uk/news/creative-hardware/make-your-iphone-look-like-imac-g3-with-these-limited-edition-cases/> (Year: 2018).*

“Incase iPhone 3&3GS Metallic Slider Case (Gunmetal)”, <https://www.amazon.com/Incase-iPhone-Metallic-Slider-Gunmetal/dp/B002NLHV5Q>, Downloaded Jun. 3, 2016, 5 pages.

“Spigen Ultra Hybrid iPhone 5S / 5 Case with Air Cushion Technology and Hybrid Drop Protection for iPhone 5S / iPhone 5—Crystal Clear”, <https://www.amazon.com/dp/B00G3JCFNC>, Earliest review date of Sep. 10, 2013, Downloaded on Jan. 4, 2019.

“Spigen Ultra Hybrid iPhone 6 Case with Air Cushion Technology and Hybrid Drop Protection for iPhone 6S / iPhone 6—Crystal Clear”, <https://www.amazon.com/dp/B00JH88D10>, Earliest review date of Jul. 10, 2014, Downloaded on Dec. 28, 2018.

“Spigen Ultra Hybrid iPhone 6S Case with Air Cushion Technology and Hybrid Drop Protection for iPhone 6S / iPhone 6—Crystal Clear”, <https://www.amazon.com/dp/B010MVJNTK>, Earliest review date of Aug. 31, 2015, Downloaded on Dec. 28, 2018.

“iPhone 6s Plus Case, Spigen [Ultra Hybrid] Air Cushion [Crystal Clear] Clear back panel + TPU bumper for iPhone 6 Plus (2014) / 6s Plus (2015)—Crystal Clear (SGP11644)”, <https://www.amazon.com/dp/B010MVRC20>, Earliest review date of Sep. 15, 2015, Downloaded on Jan. 4, 2019.

“Spigen Ultra Hybrid Tech iPhone 6S Plus Case with Bumper Protection for iPhone 6S Plus 2015—Crystal White”, <https://www.amazon.com/dp/B013TKNIOC>, Earliest review date of Oct. 26, 2015, Downloaded on Jan. 4, 2019.

“Spigen Ultra Hybrid iPhone SE Case with Air Cushion Technology and Hybrid Drop Protection for iPhone SE 2016—Crystal Clear”, <https://www.amazon.com/dp/B01BEDO0OS>, Earliest review date of Apr. 15, 2016, Downloaded on Jan. 4, 2019.

“Spigen Ultra Hybrid iPhone 7 Case with Air Cushion Technology and Hybrid Drop Protection for iPhone 7 2016—Black”, <https://www.amazon.com/dp/B01GIVXBVY>, Earliest review date of Sep. 1, 2016, Downloaded on Jan. 8, 2019.

“Spigen Ultra Hybrid iPhone 7 Plus Case with Air Cushion Technology and Hybrid Drop Protection for Apple iPhone 7 Plus 2016—Crystal Clear”, <https://www.amazon.com/dp/B01GIWGFMU>, Earliest review date of Sep. 6, 2016, Downloaded on Jan. 8, 2019.

“Spigen Ultra Hybrid S iPhone Seven Plus Case with Air Cushion Technology and Magnetic Metal Kickstand for Apple iPhone Seven Plus Two Thousand and Sixteen Clear Black”, <https://www.amazon.com/dp/B01LRSF986>, Earliest review date of Sep. 7, 2016, Downloaded on Jan. 8, 2019.

“Spigen Ultra Hybrid S iPhone 7 Case with Air Cushion Technology and Magnetic Metal Kickstand for iPhone 7 2016—Crystal Clear”, <https://www.amazon.com/dp/B01J9DVBWE>, Earliest review date of Sep. 13, 2016, Downloaded on Jan. 8, 2019.

“Spigen Ultra Hybrid [2nd Generation] iPhone 8 Plus Case/iPhone 7 Plus Case with Clear Protection and Air Cushion Technology for iPhone 8 Plus (2017) / iPhone 7 Plus (2016)—Crystal Clear”, <https://www.amazon.com/dp/B01MXKNPQ5>, Earliest review date of Jan. 9, 2017, Downloaded on Jan. 8, 2019.

“Spigen Ultra Hybrid [2nd Generation] iPhone 7 Case/iPhone 8 Case with Air Cushion Technology for Apple iPhone 7 (2016)/

iPhone 8 (2017)—Crystal Clear”, <https://www.amazon.com/dp/B01M0USRWG>, Earliest review date of Jan. 17, 2017, Downloaded on Jan. 8, 2019.

“Spigen Ultra Hybrid Galaxy A5 2017 Case with Air Cushion Technology and Hybrid Drop Protection for Samsung Galaxy A5 (2017)—Crystal Clear”, <https://www.amazon.com/dp/B01NCJOZ1C>, Earliest review date of Mar. 2, 2017, Downloaded on Jan. 8, 2019.

* cited by examiner

Primary Examiner — Susan E Krakower

Assistant Examiner — L. A. Grabenstetter

(74) *Attorney, Agent, or Firm* — Heedong Chae; Lucern, PC

(57) CLAIM

The ornamental design for a case for electronic devices, as shown and described.

DESCRIPTION

FIG. 1 is a front perspective view of a case for electronic devices, comprised of an inner shell, upper outer frame, and lower outer frame, showing my new design;

FIG. 2 is a rear perspective view thereof;

FIG. 3 is a front elevational view thereof;

FIG. 4 is a rear elevational view thereof;

FIG. 5 is a left side elevational view thereof;

FIG. 6 is a right side elevational view thereof;

FIG. 7 is an enlarged top plan view thereof;

FIG. 8 is an enlarged bottom plan view thereof;

FIG. 9 is a front perspective view of the inner shell, shown isolated from the case for electronic devices for clarity;

FIG. 10 is a rear perspective view of the inner shell, shown isolated from the case for electronic devices for clarity;

FIG. 11 is a front perspective view of the upper outer frame, shown isolated from the case for electronic devices for clarity;

FIG. 12 is a rear perspective view of the upper outer frame, shown isolated from the case for electronic devices for clarity;

FIG. 13 is a front perspective view of the lower outer frame, shown isolated from the case for electronic devices for clarity;

FIG. 14 is a rear perspective view of the lower outer, shown isolated from the case for electronic devices for clarity;

FIG. 15 is a front exploded perspective view of the case for electronic devices; and,

FIG. 16 is a rear exploded perspective view of the case for electronic devices.

Although the case for electronic devices in which the claimed design is embodied consists of an inner shell, upper outer frame, and lower outer frame, the claim is directed to the ornamental appearance of the case for electronic devices in its entirety and does not extend to the ornamental appearance of each of the individual components in isolation.

The broken lines depict portions of the case for electronic devices that form no part of the claimed design.

1 Claim, 16 Drawing Sheets

FIG. 1

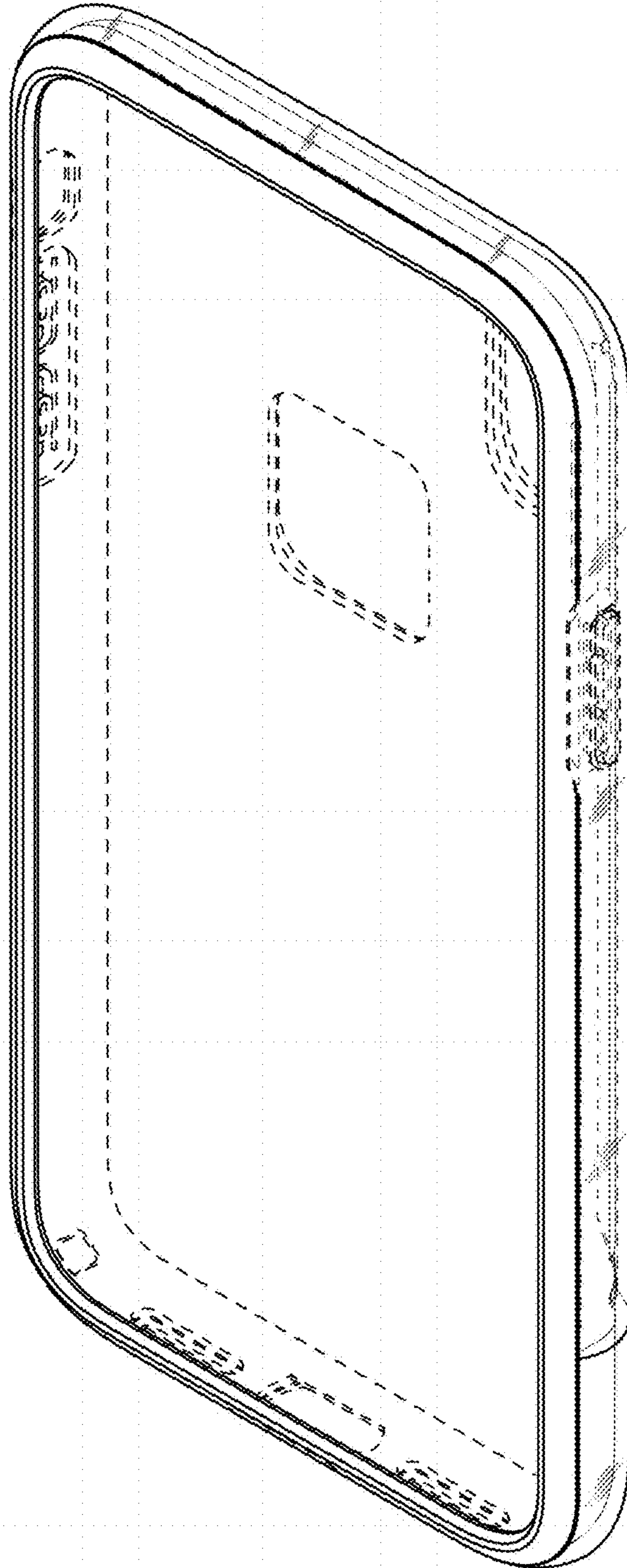


FIG. 2

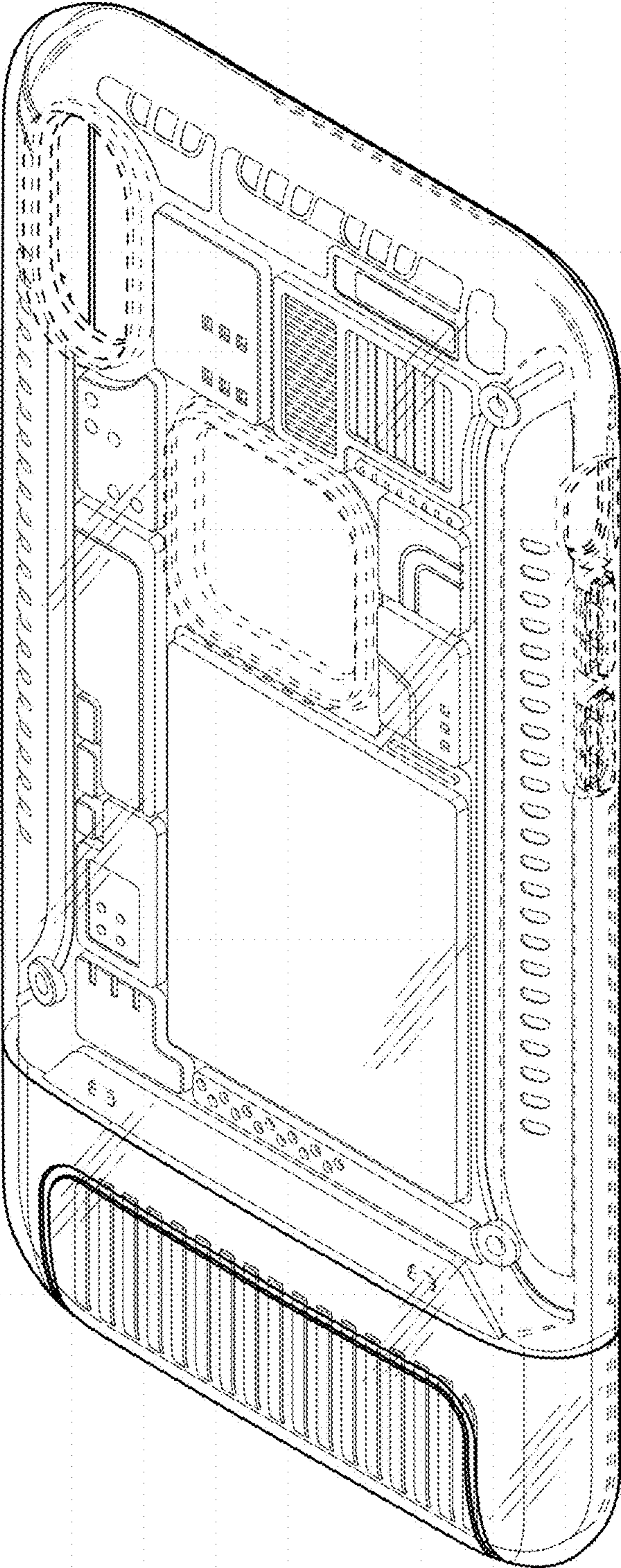


FIG. 3

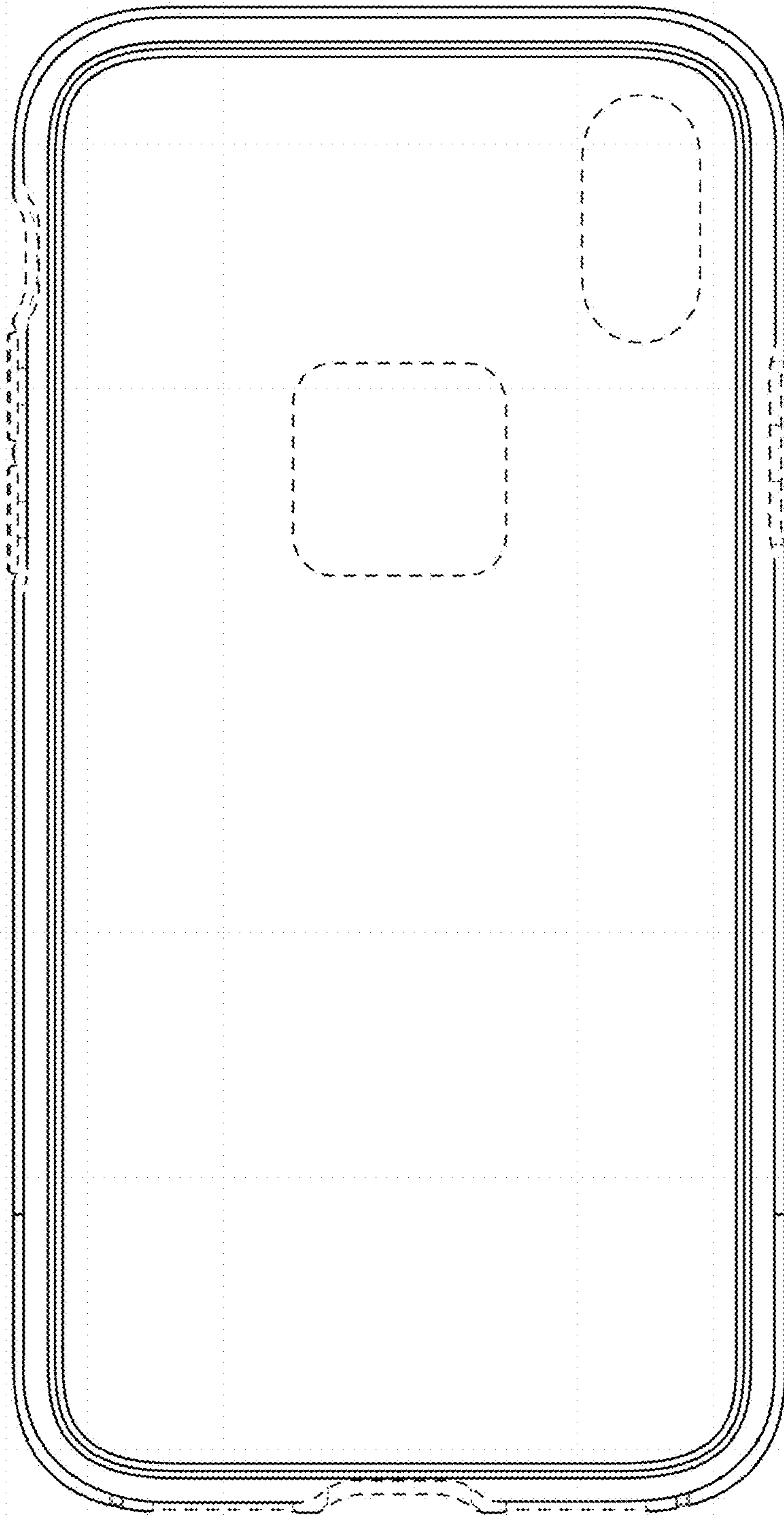


FIG. 4

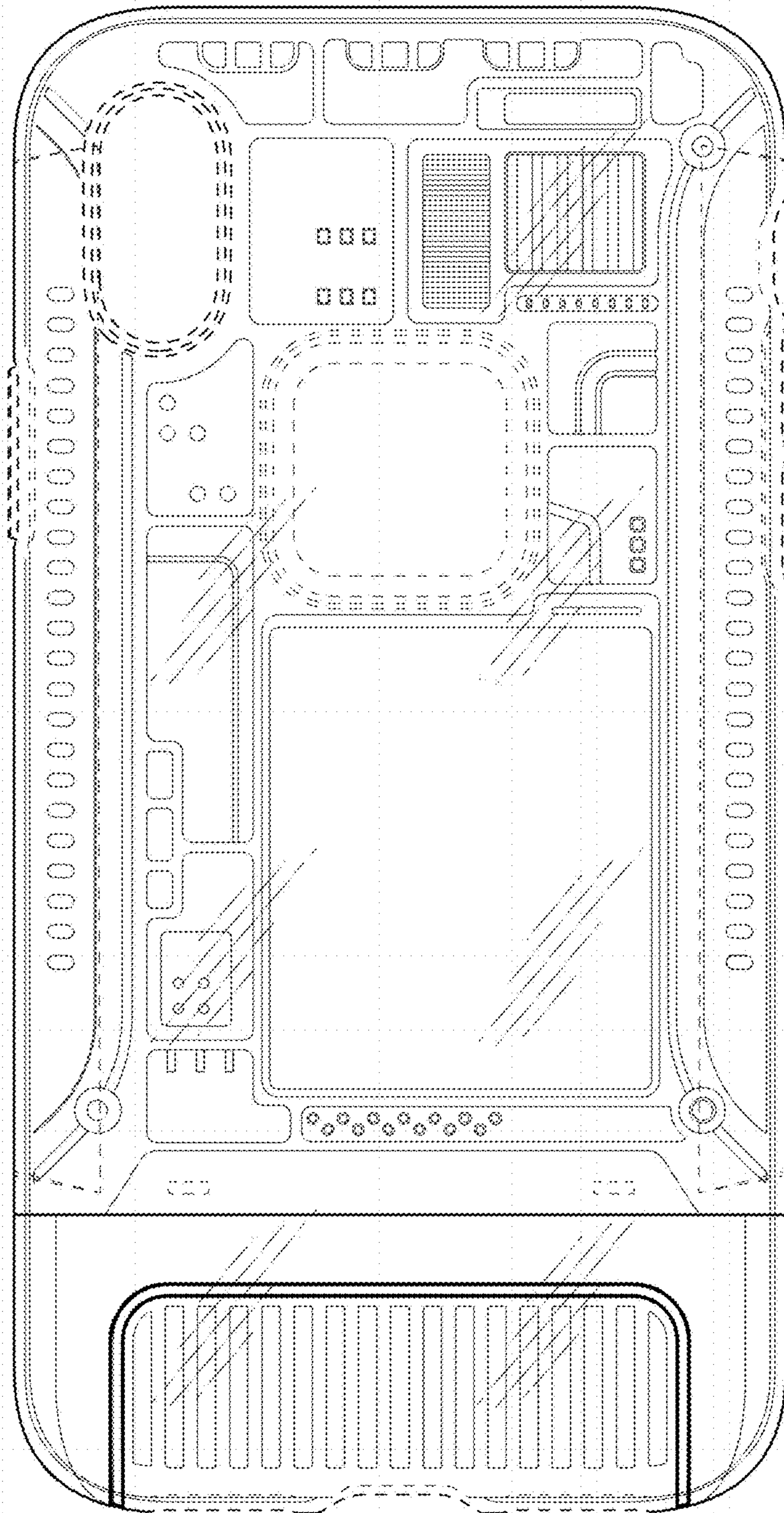


FIG. 5

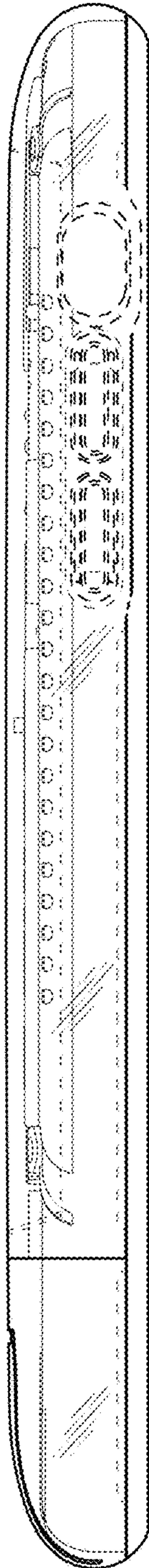


FIG. 6

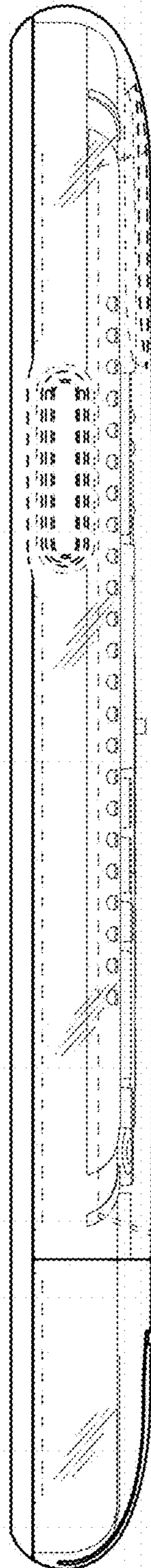


FIG. 7

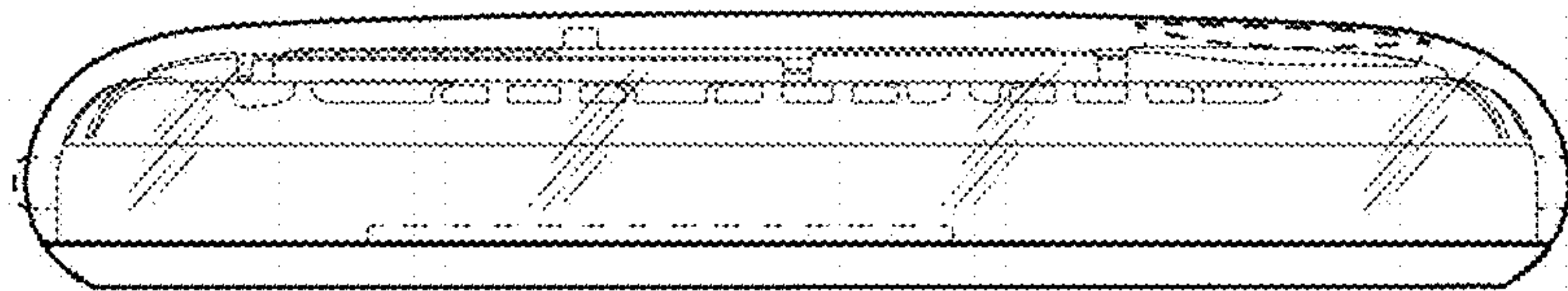


FIG. 8



FIG. 9

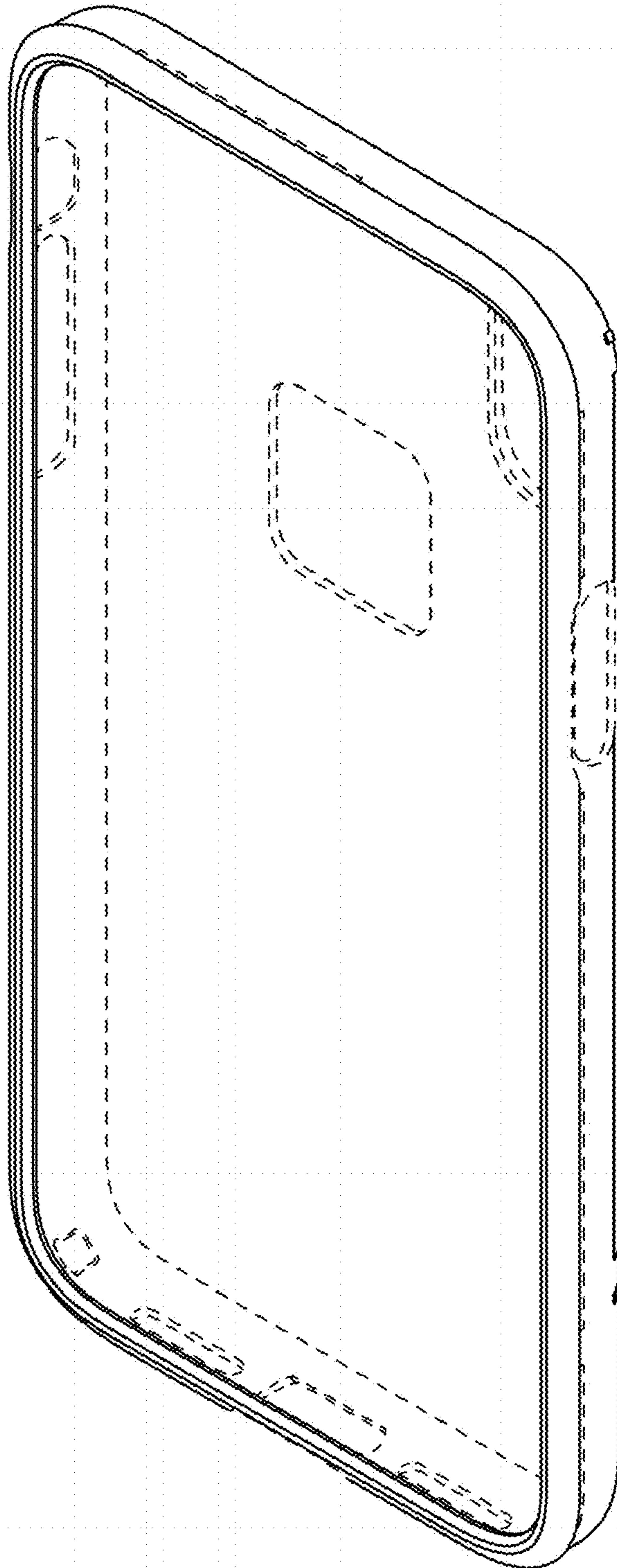


FIG. 10

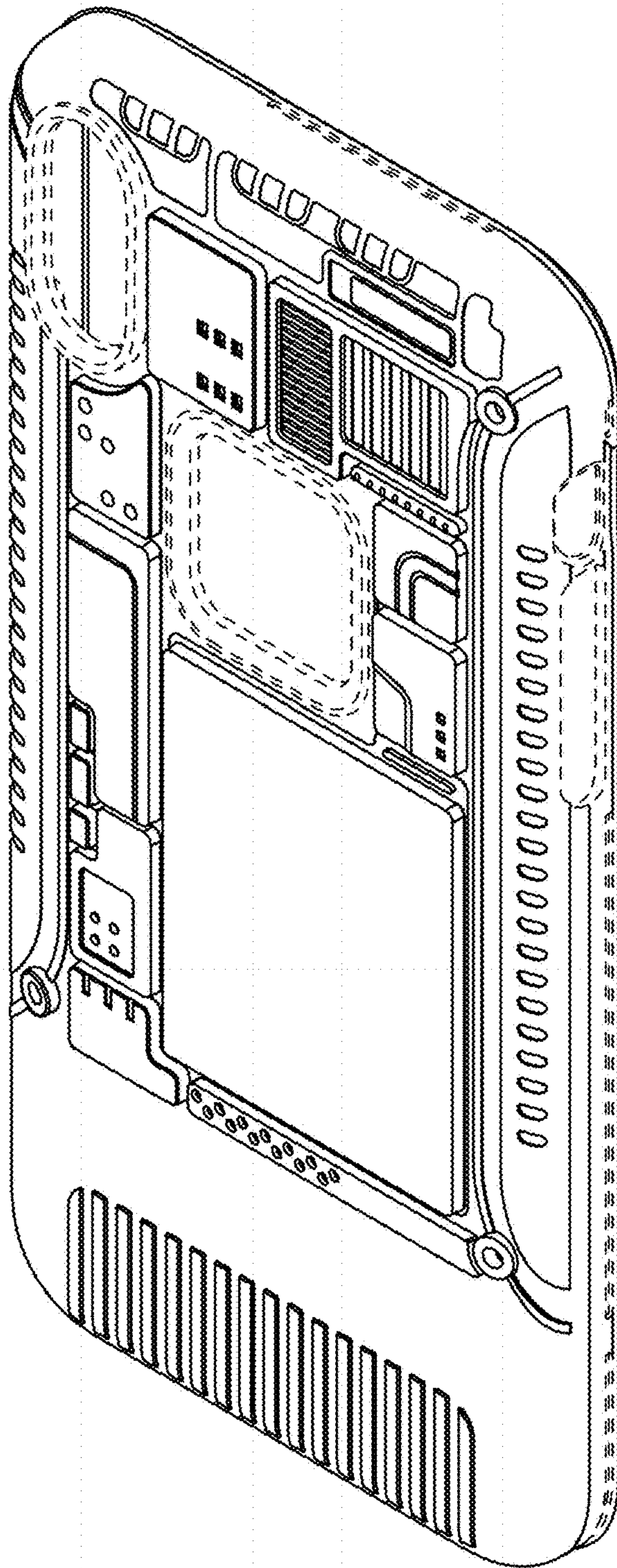


FIG. 11

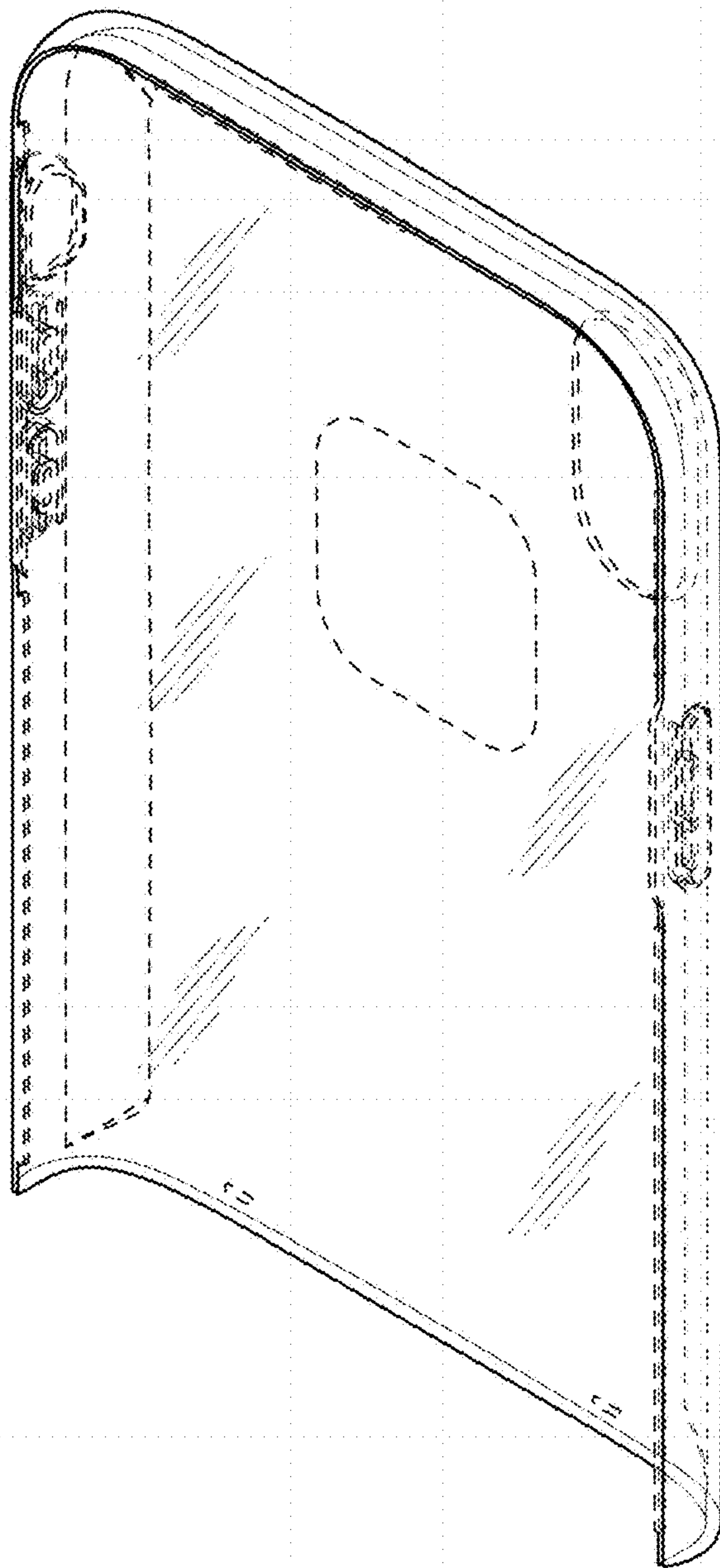


FIG. 12

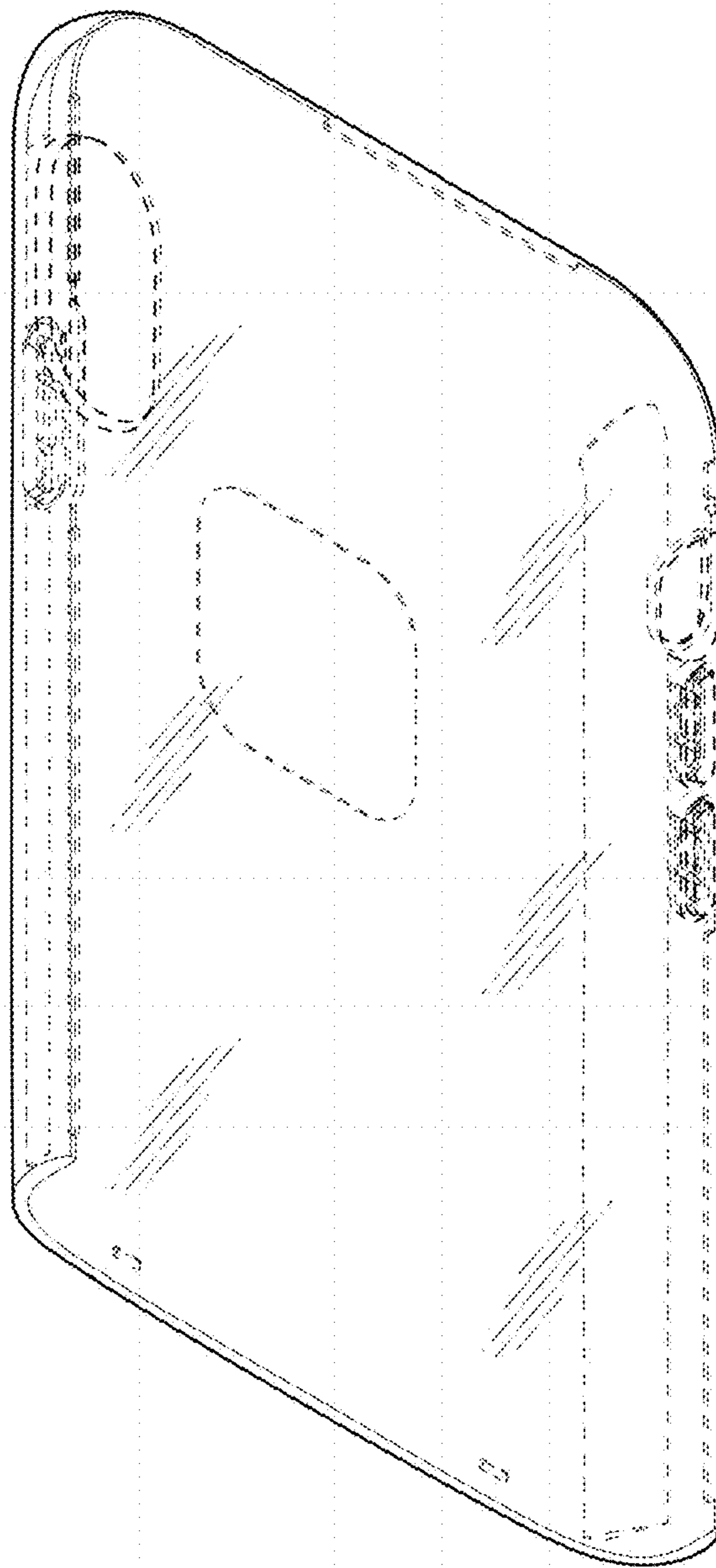


FIG. 13

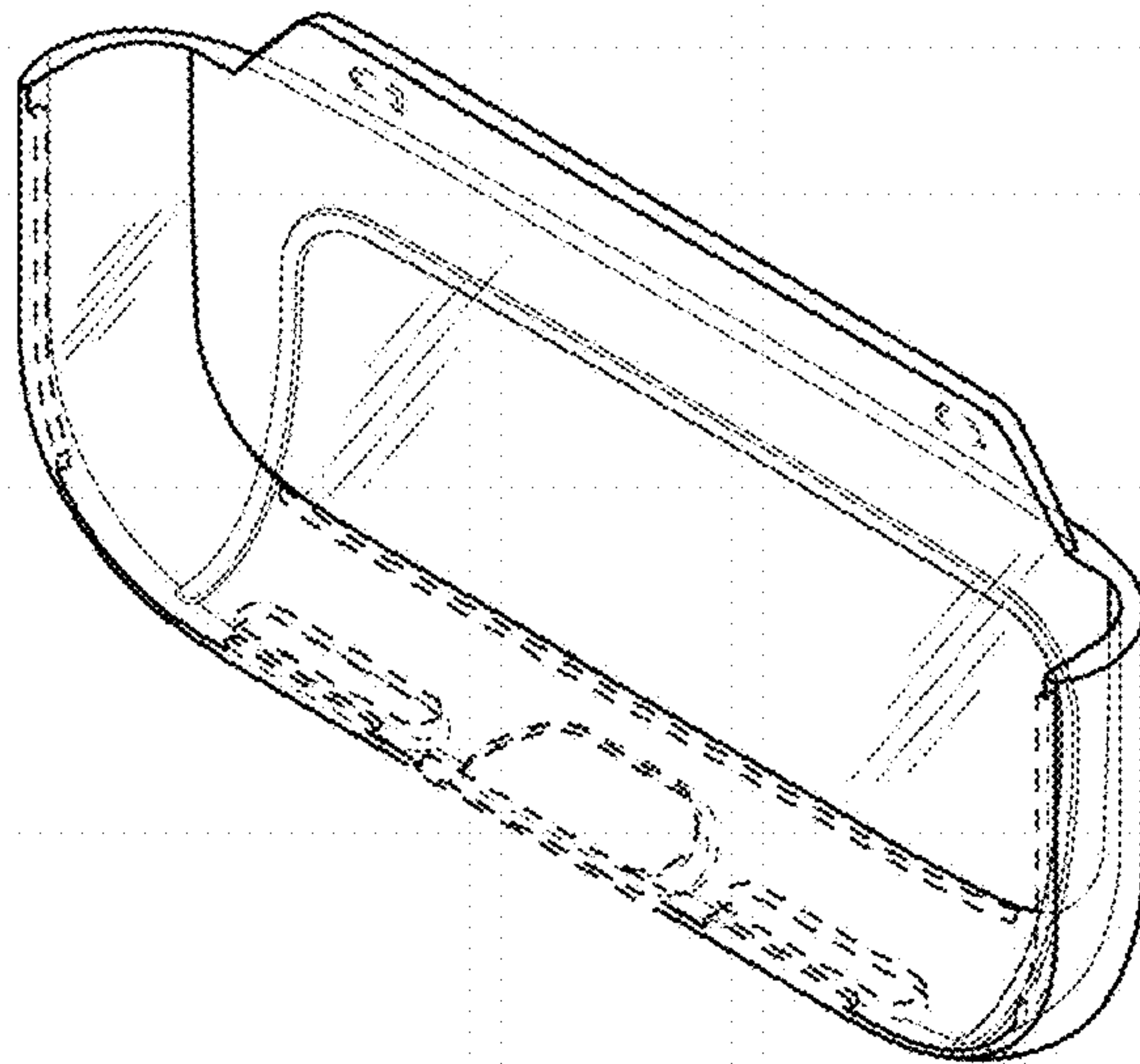


FIG. 14

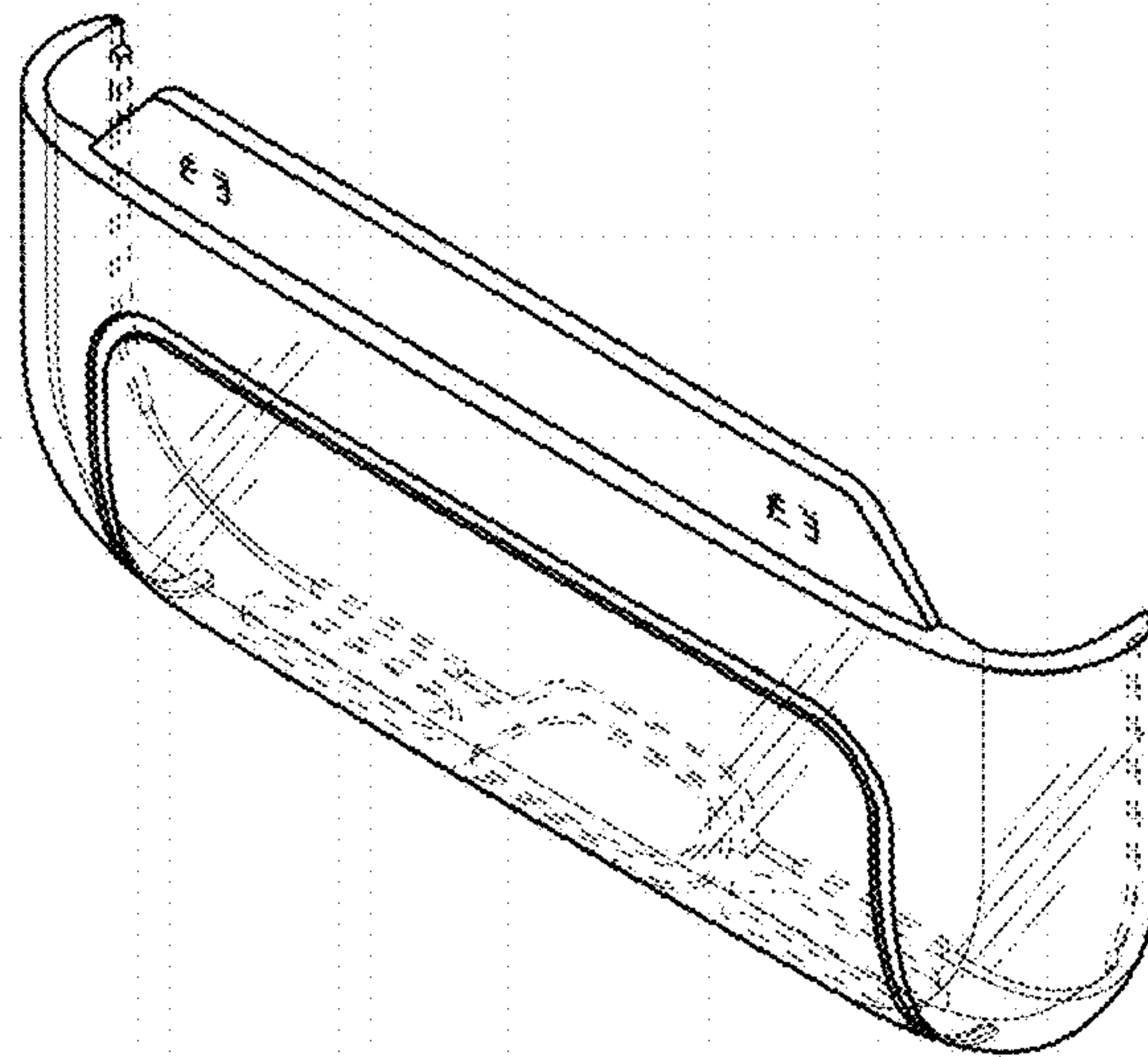


FIG. 15

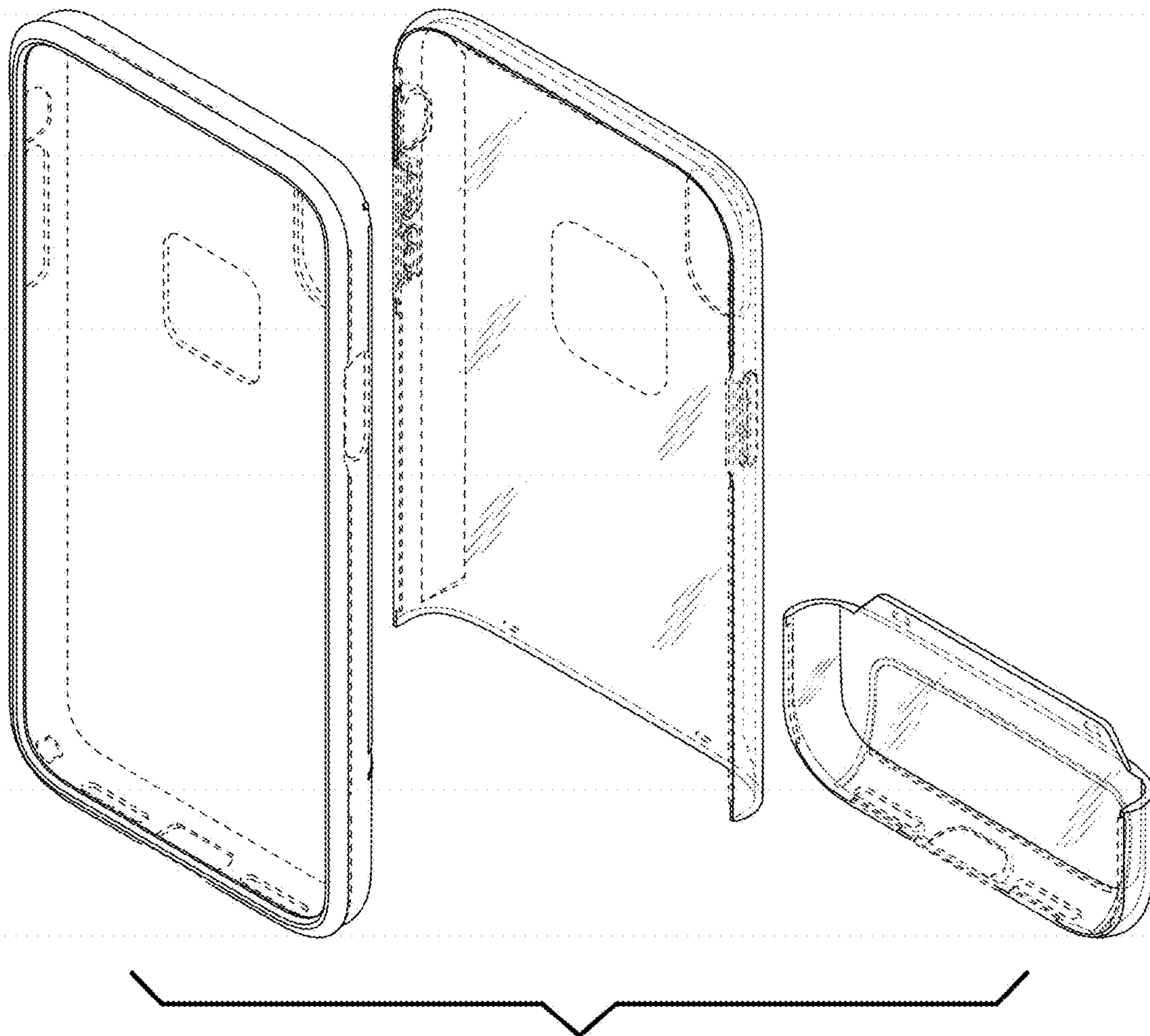


FIG. 16

