



US00D877132S

(12) **United States Design Patent**  
**Yang**

(10) **Patent No.:** **US D877,132 S**  
(45) **Date of Patent:** **\*\* Mar. 3, 2020**

(54) **PROTECTIVE CASE FOR MOBILE DEVICE**

(71) Applicant: **i-Blason LLC**, Alpharetta, GA (US)

(72) Inventor: **Xiaoqing Yang**, Alpharetta, GA (US)

(73) Assignee: **i-Blason LLC**, Alpharetta, GA (US)

(\*\*) Term: **15 Years**

(21) Appl. No.: **29/632,683**

(22) Filed: **Jan. 9, 2018**

(51) **LOC (12) Cl.** ..... **14-03**

(52) **U.S. Cl.**  
USPC ..... **D14/250**

(58) **Field of Classification Search**  
USPC ..... D3/201, 218, 226, 227, 247, 249, 250,  
D3/269, 303; D13/103, 107, 108, 119;  
D14/137, 138 R, 138 AA, 138 C, 138 G,  
D14/172, 192, 203.3-203.7, 217, 238.1,  
D14/247, 248, 250-253, 434, 440, 447,  
D14/496  
CPC ..... H04B 1/3888; H04M 1/0283; H04M  
1/0202; A45C 1/06; A45C 2011/002;  
A45C 11/00; A45F 2005/028; A45F  
2200/0525

See application file for complete search history.

(56) **References Cited**

**U.S. PATENT DOCUMENTS**

D685,779 S *	7/2013	Schriefer	.....	D14/250
D712,892 S *	9/2014	Hong	.....	D14/250
D714,276 S *	9/2014	Hu	.....	D14/250
D718,291 S *	11/2014	Hong	.....	D14/250
D723,531 S *	3/2015	Katzke	.....	D14/250
D746,805 S *	1/2016	Kim	.....	D14/250
D775,614 S *	1/2017	Kim	.....	D14/250
D776,647 S *	1/2017	Kim	.....	D14/250

D780,165 S *	2/2017	Lee	.....	D14/250
D797,715 S *	9/2017	Kim	.....	D14/250
D806,692 S *	1/2018	Jia	.....	D14/250
D808,376 S *	1/2018	Kim	.....	D14/250
2016/0142522 A1*	5/2016	Kim	.....	A45C 11/00 455/575.8

\* cited by examiner

*Primary Examiner* — Susan E Krakower

*Assistant Examiner* — L. A. Grabenstetter

(74) *Attorney, Agent, or Firm* — Wang Law Firm, Inc.

(57) **CLAIM**

The ornamental design for a protective case for mobile device, as shown and described.

**DESCRIPTION**

FIG. 1 is a perspective view of a protective case for mobile device, showing my new design;  
FIG. 2 is a front view thereof;  
FIG. 3 is a left view thereof;  
FIG. 4 is a right view thereof;  
FIG. 5 is a bottom view thereof;  
FIG. 6 is a top view thereof;  
FIG. 7 is a back view thereof;  
FIG. 8 is cross-section view from line 8-8; and,  
FIG. 9 is a cross-section view from line 9-9.

The broken lines on the surfaces of the article represent portions of the protective case for mobile device that form no part of the claimed design.

The broken lines depicting a mobile device in FIG. 1 represent environmental subject matter and form no part of the claimed design.

The arrows found in FIG. 7 are included for the purpose of illustrating the cross-section views only and form no part of the claimed design.

**1 Claim, 3 Drawing Sheets**

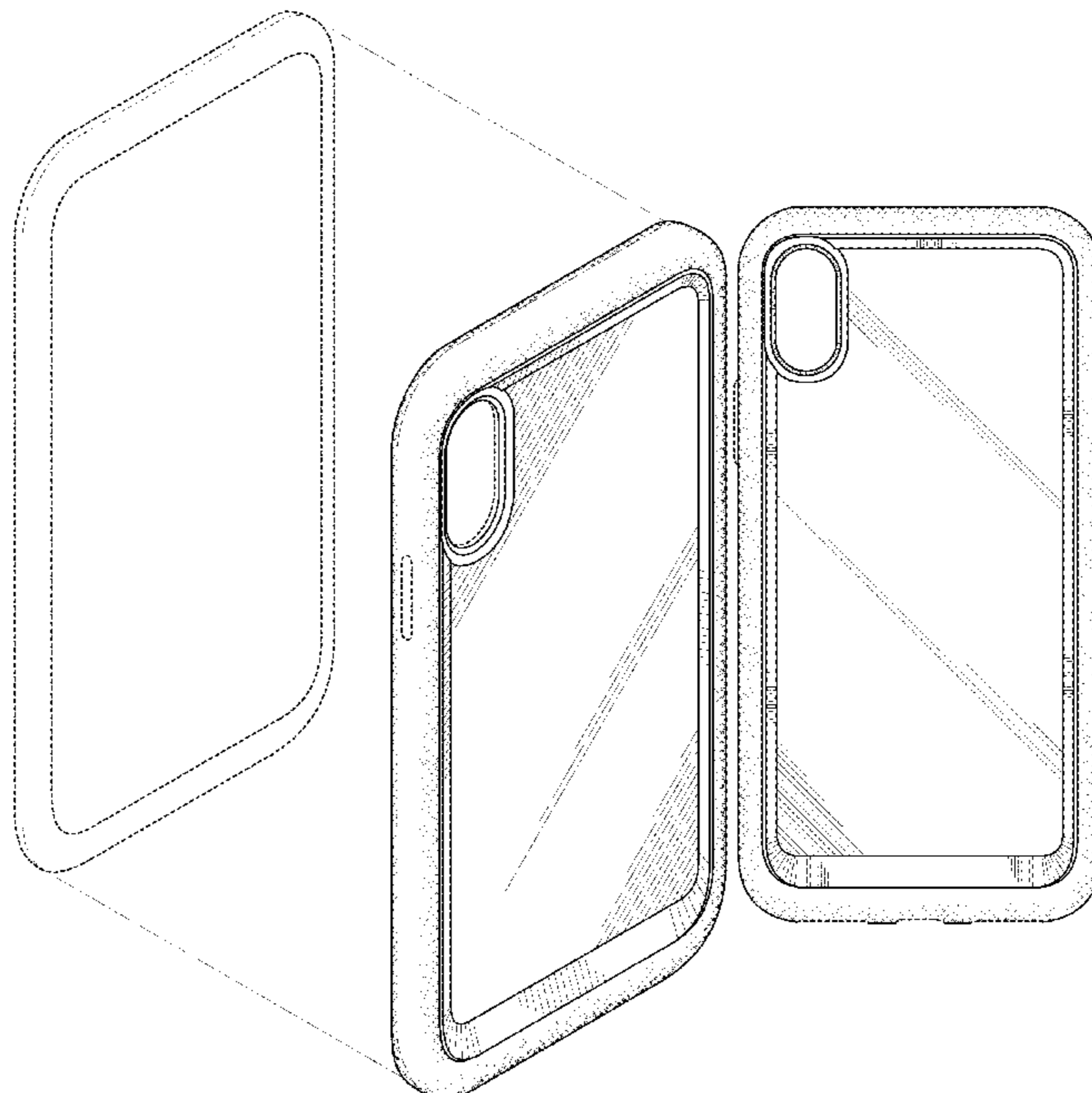
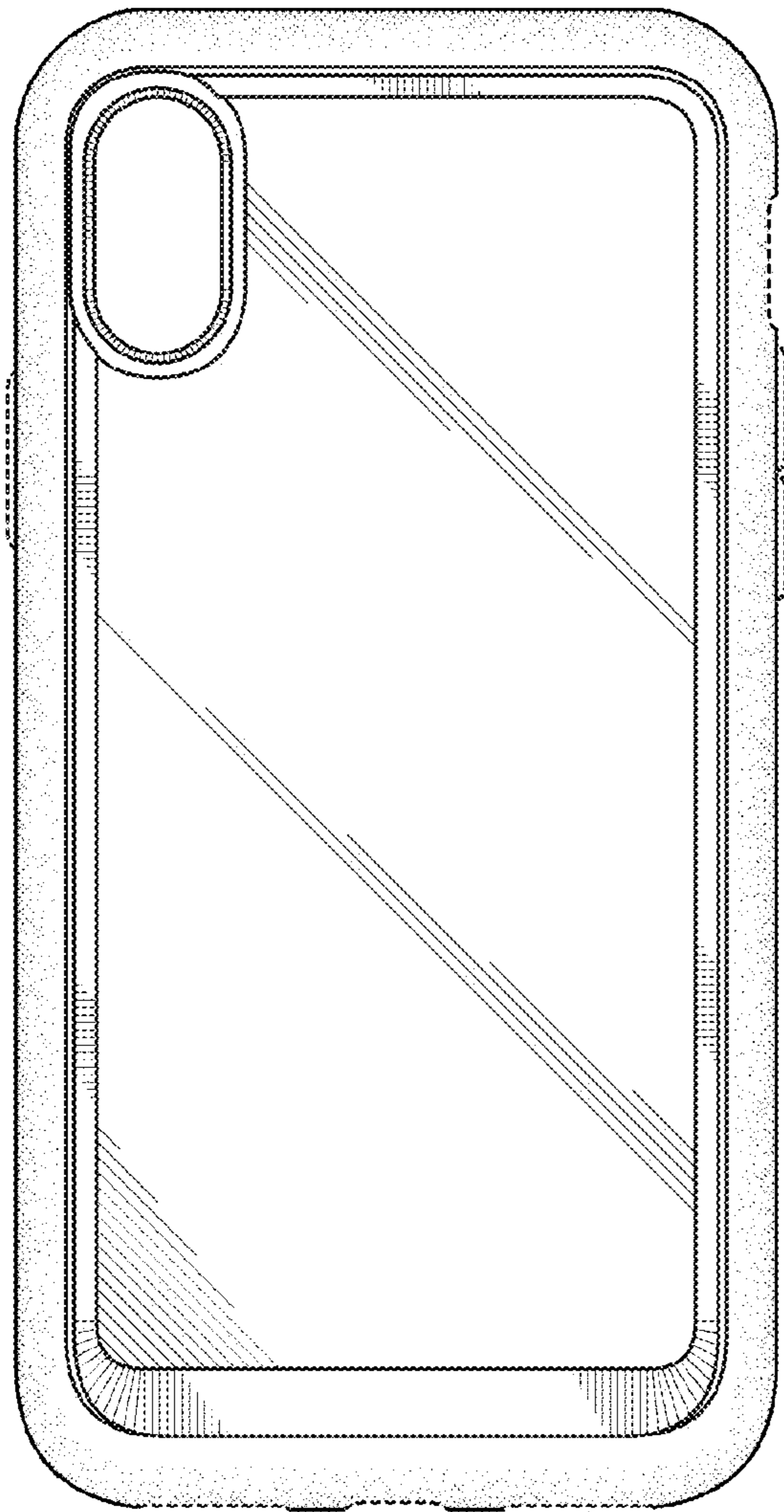




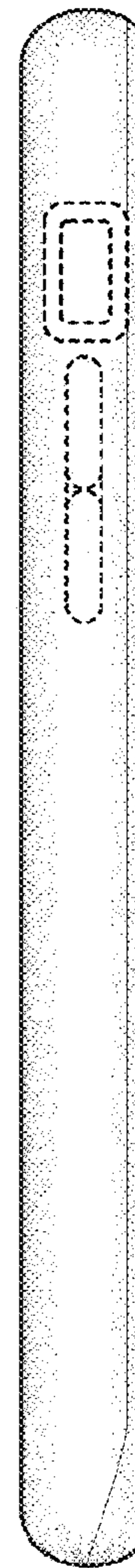
FIG. 1



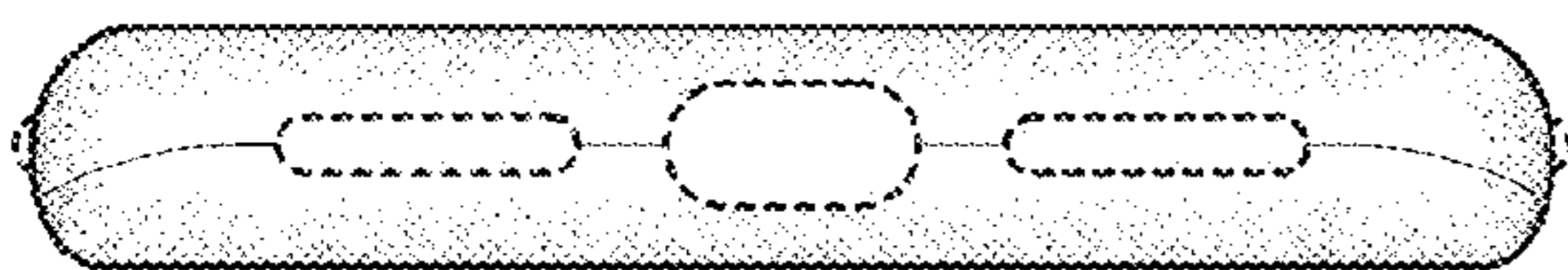
**FIG. 2**



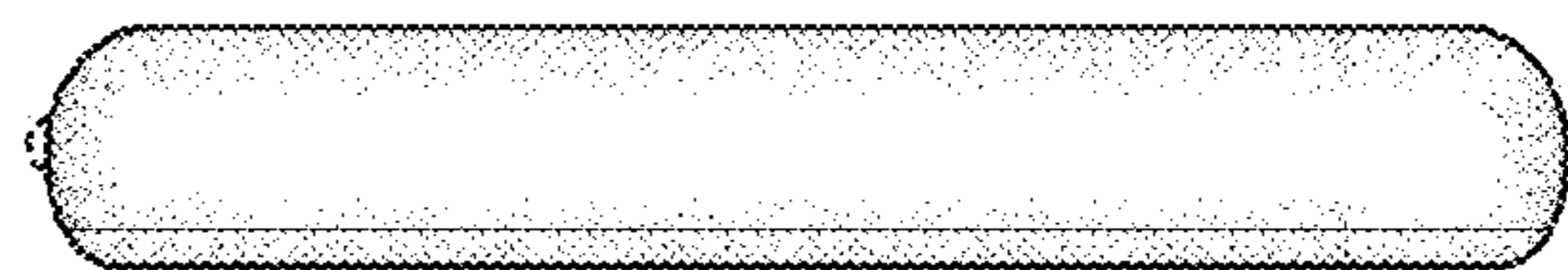
**FIG. 3**



**FIG. 4**



**FIG. 5**



**FIG. 6**

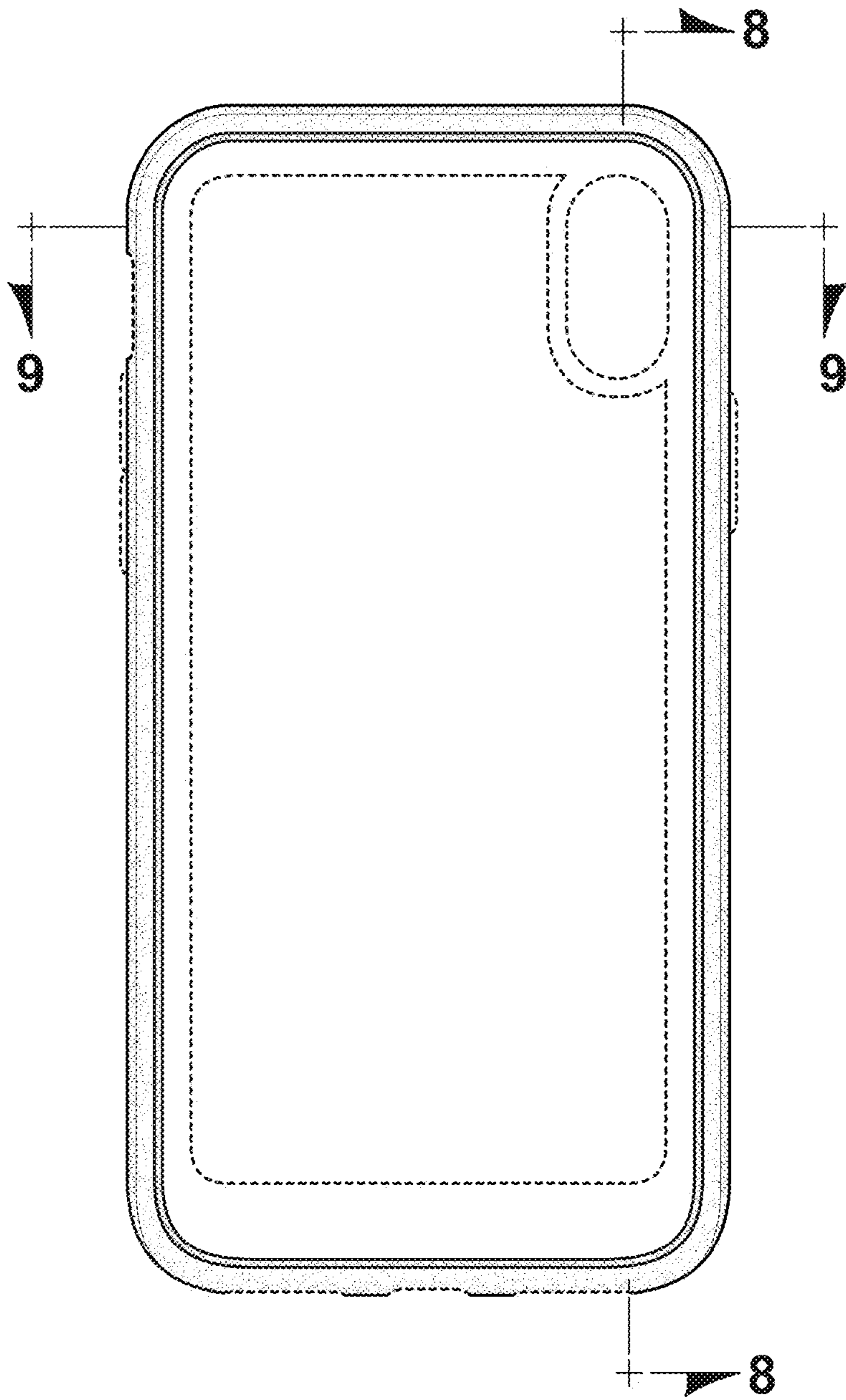


FIG. 7

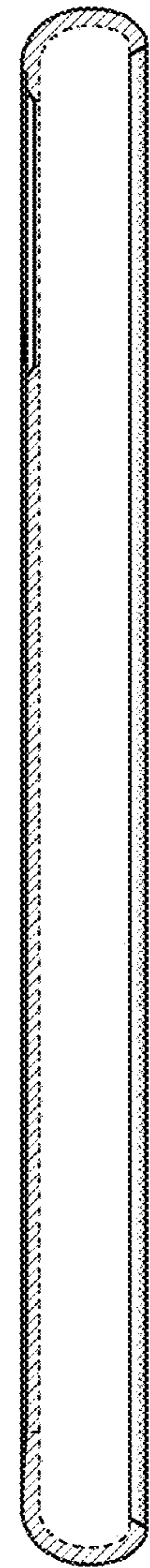


FIG. 8



FIG. 9