



US00D877127S

(12) **United States Design Patent**
Bentley et al.

(10) **Patent No.:** **US D877,127 S**

(45) **Date of Patent:** **** Mar. 3, 2020**

(54) **COMMUNICATIONS MODULE**

(71) Applicant: **Bluekey Pty Ltd**, Carrara (AU)

(72) Inventors: **Jai Dylan Bentley**, Carrara (AU); **Ben Kimpton Paterson**, Carrara (AU)

(73) Assignee: **Bluekey Pty Ltd**, Carrara QLD (AU)

(**) Term: **15 Years**

(21) Appl. No.: **29/607,311**

(22) Filed: **Jun. 12, 2017**

(30) **Foreign Application Priority Data**

Dec. 12, 2016 (AU) 201617022
Dec. 12, 2016 (AU) 201617023
Dec. 12, 2016 (AU) 201617025

(51) **LOC (12) Cl.** **14-03**

(52) **U.S. Cl.**
USPC **D14/240**

(58) **Field of Classification Search**
USPC D14/242, 240, 355, 357, 358, 125,
D14/140-140.9, 155, 137, 139, 243, 239,
D14/433, 496, 188, 348, 351, 356, 251
CPC H04L 12/00; H03K 17/00; H04W 88/00;
H04W 88/005; H04W 88/02; H04W
88/08; H04W 88/085; H04W 88/10;
H04W 88/12; H04W 88/14; H04B 1/38;
H04M 1/04; H04M 1/05
See application file for complete search history.

(56) **References Cited**

U.S. PATENT DOCUMENTS

D461,187 S * 8/2002 Andre D14/356
D463,794 S * 10/2002 Hung D14/240
D526,640 S * 8/2006 Chin D14/188
D561,168 S * 2/2008 Song D14/188
D577,743 S * 9/2008 Liu D14/496
D599,344 S * 9/2009 Wang D14/356
D629,827 S * 12/2010 Morenstein D16/221

D722,053 S * 2/2015 Wang D14/358
D723,480 S * 3/2015 Lee D14/125
D724,563 S * 3/2015 Kim D14/214

(Continued)

FOREIGN PATENT DOCUMENTS

CN 304473181 * 1/2018
CN 304473184 * 1/2018
IN 286001-0001 * 9/2017

OTHER PUBLICATIONS

Musician's Friend. <URL: <http://www.musiciansfriend.com/consumer-electronics/yamaha-nx-a01-cube-style-stereo-speaker>.> May 3, 2011. Yamaha NX-A01 Cube style Stereo Speaker.*

Primary Examiner — Susan Bennett Hattan
Assistant Examiner — Lauren D McVey
(74) *Attorney, Agent, or Firm* — Polsinelli PC

(57) **CLAIM**

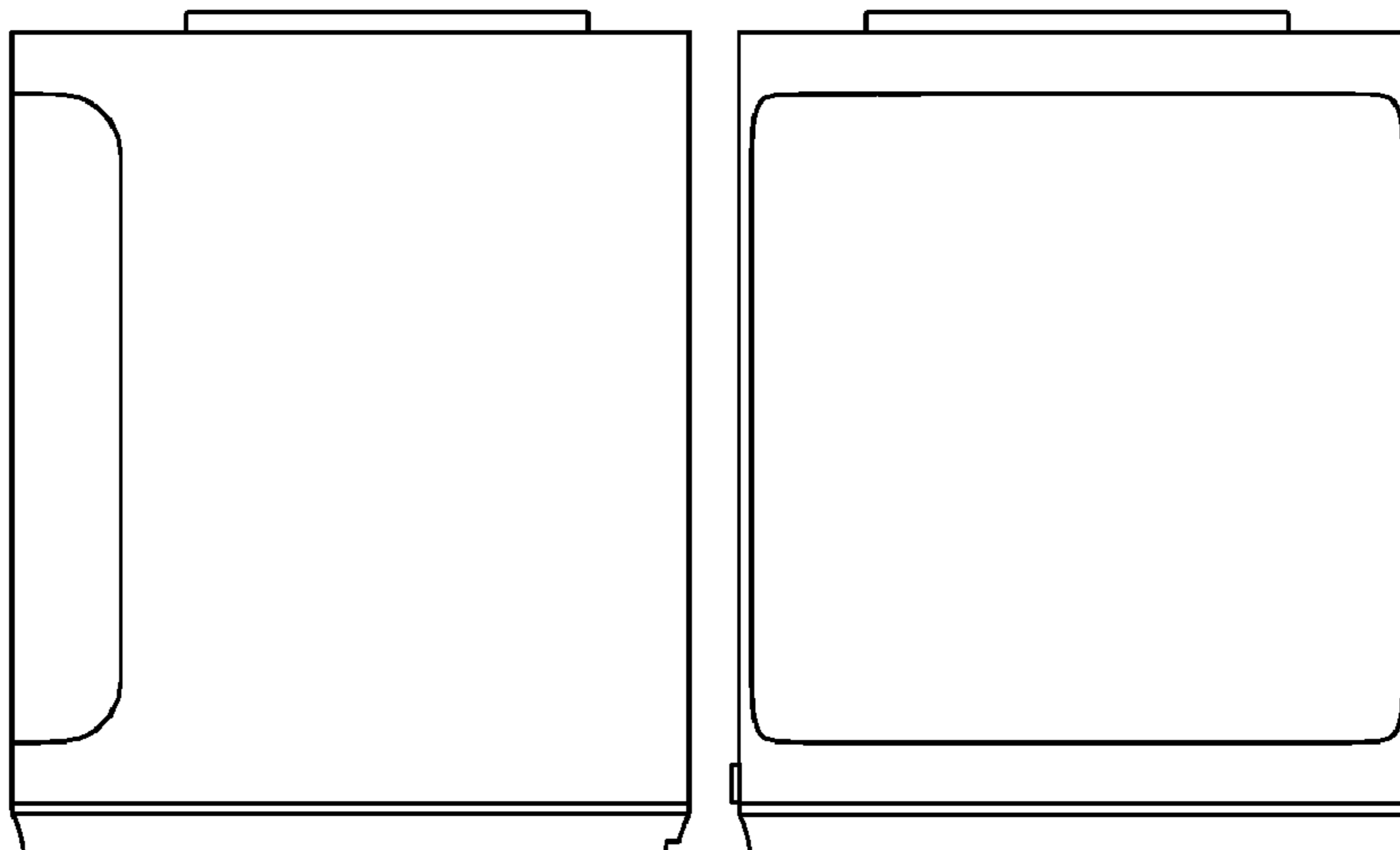
The ornamental design for a communications module, as shown and described.

DESCRIPTION

FIG. 1 is a top front perspective view of a communications module showing our new design;
FIG. 2 is a top rear perspective view thereof;
FIG. 3 is a bottom front perspective view thereof;
FIG. 4 is a right side elevation view thereof;
FIG. 5 is a left side elevation view thereof;
FIG. 6 is a front elevation view thereof;
FIG. 7 is a rear elevation view thereof;
FIG. 8 is a top plan view thereof;
FIG. 9 is a bottom plan view thereof; and,
FIG. 10 is a top rear perspective view thereof.

The broken lines immediately adjacent to the claimed areas depict the bounds of the claimed design, while all other broken lines are directed to environment. The broken lines form no part of the claimed design.

1 Claim, 7 Drawing Sheets



(56)

References Cited

U.S. PATENT DOCUMENTS

D739,452 S *	9/2015	Adams	D16/203
D755,942 S *	5/2016	Kim	D23/364
D775,627 S *	1/2017	Yang	D14/217
D801,335 S *	10/2017	Klingebiel	D14/358
D848,406 S *	5/2019	Pera	D14/242

* cited by examiner

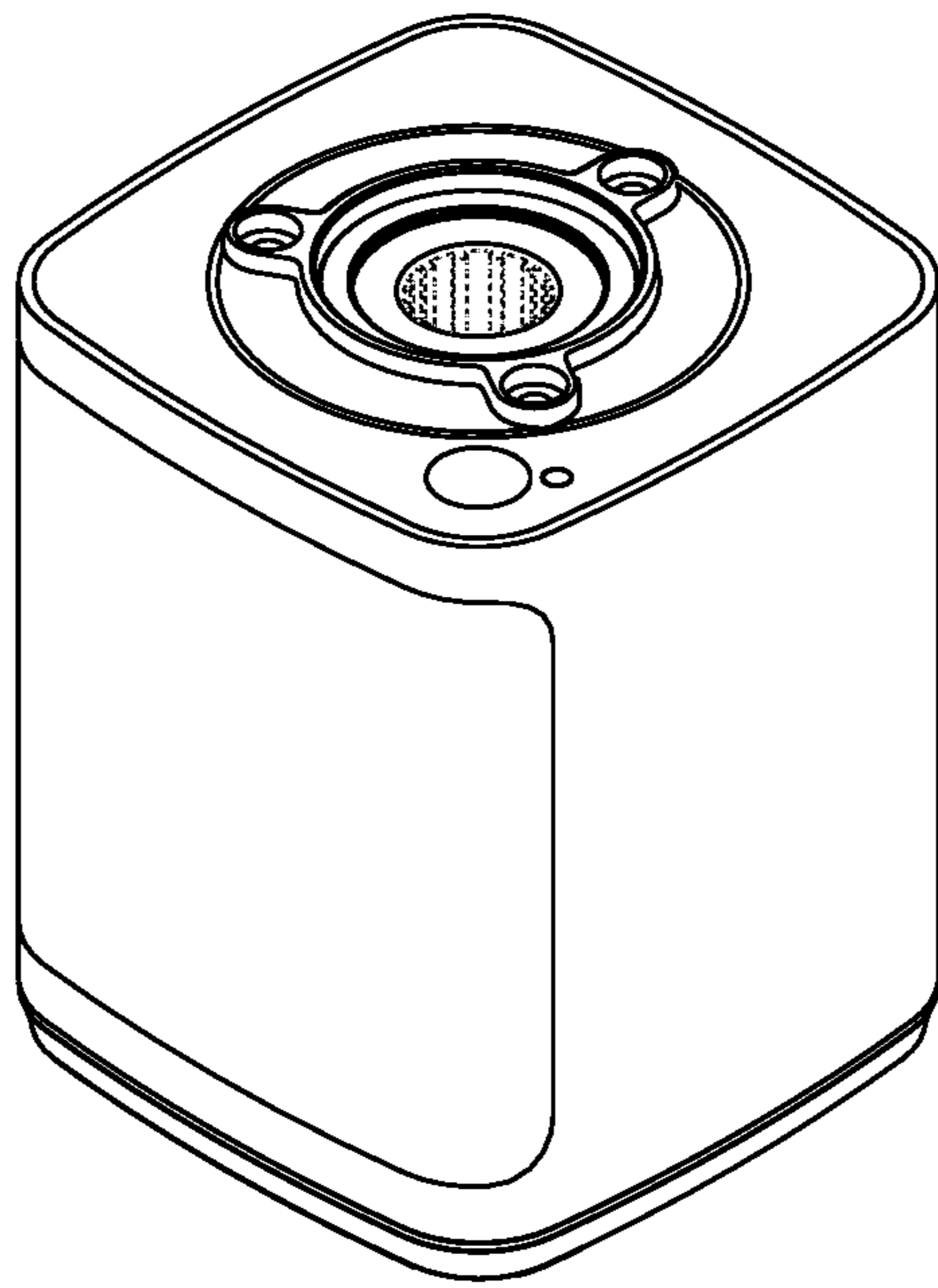


FIG. 1

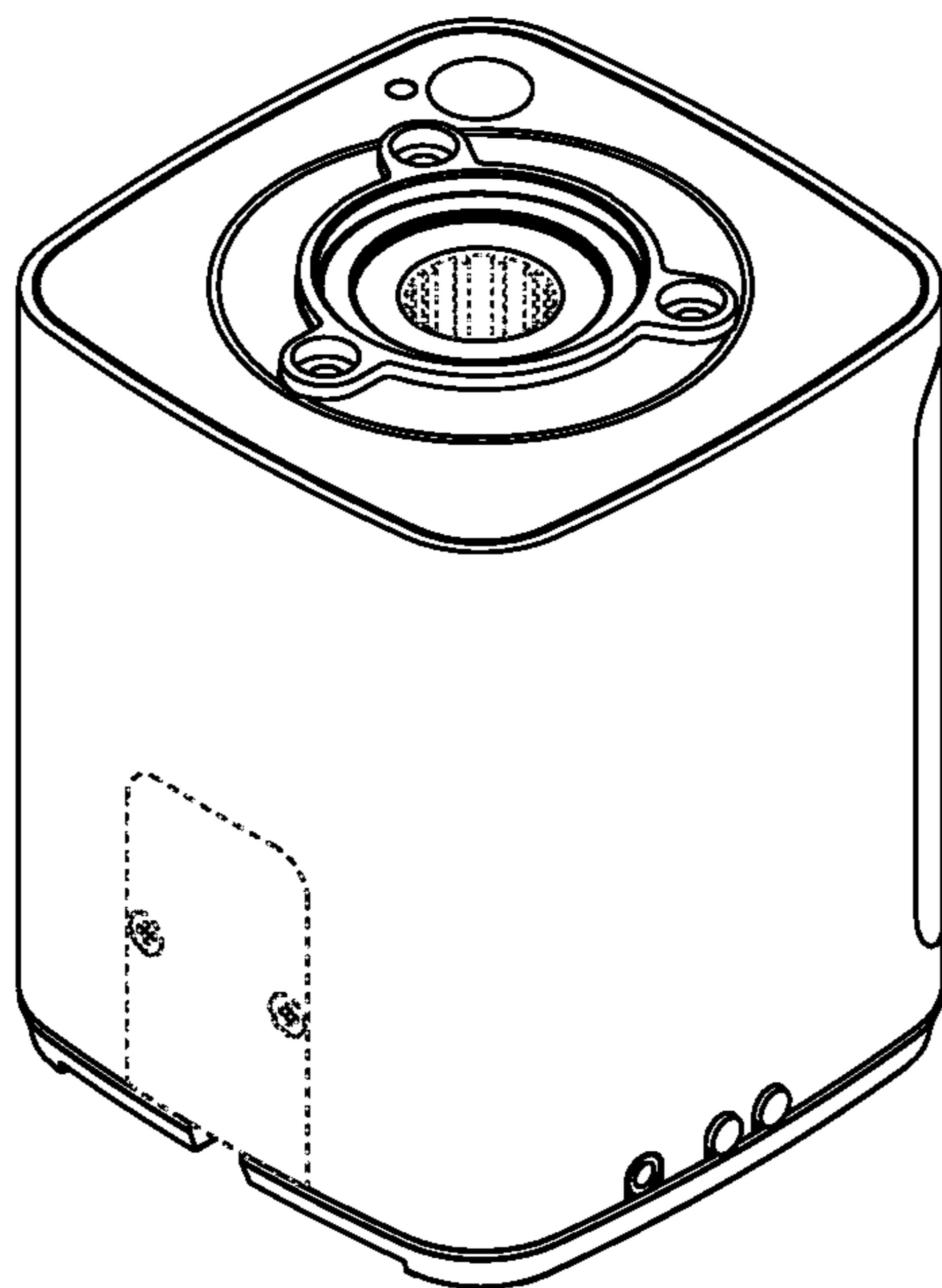


FIG. 2

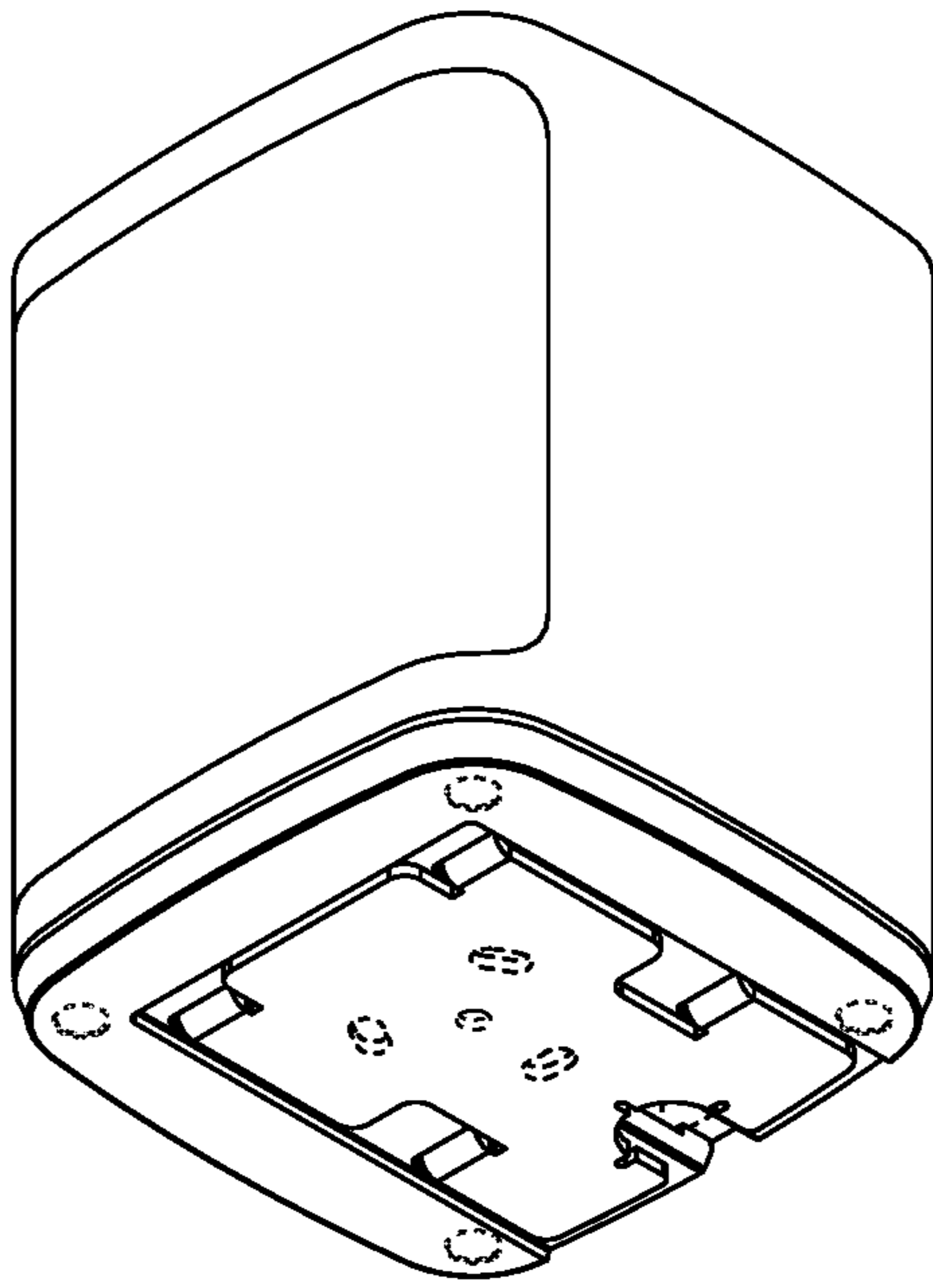


FIG. 3

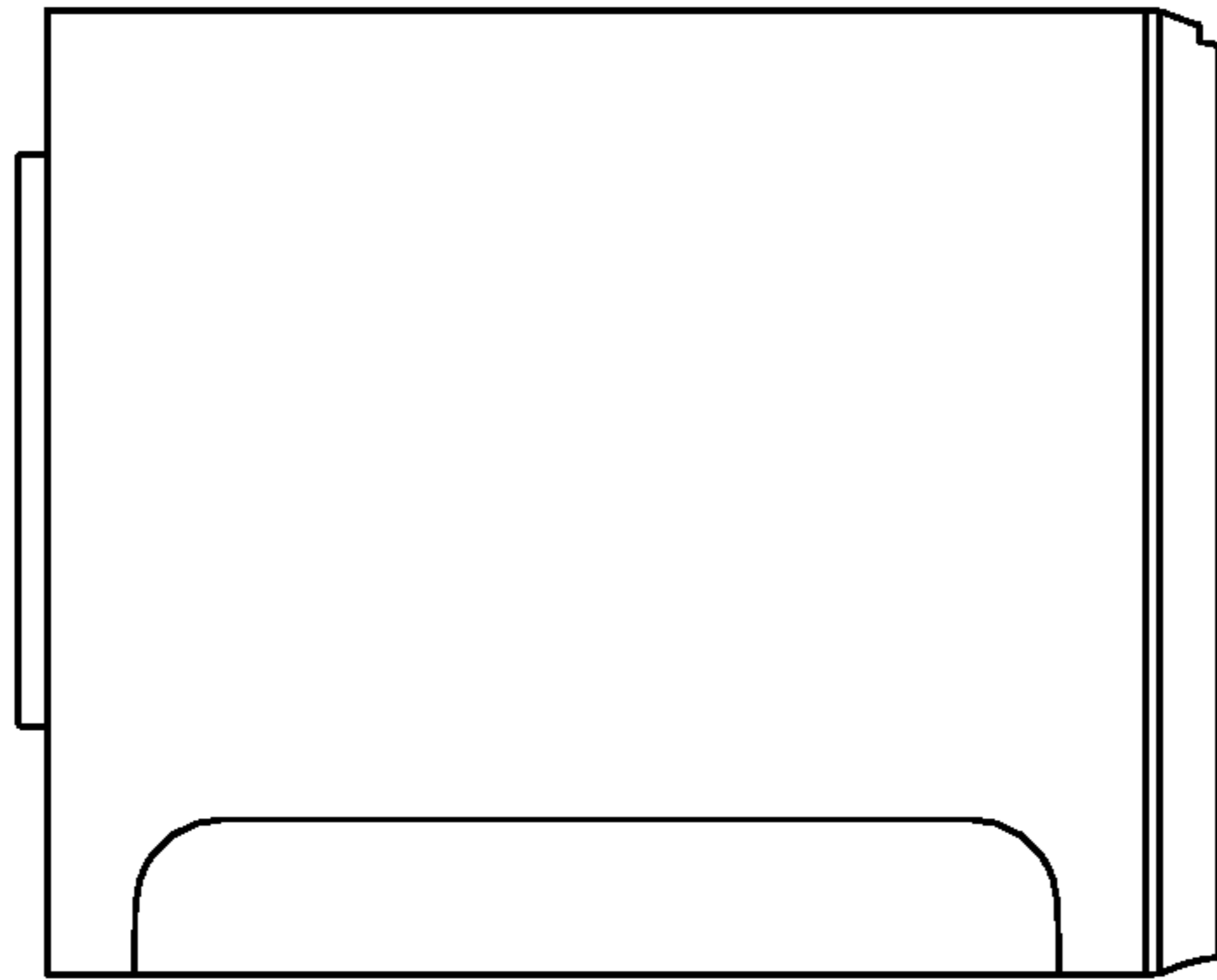


FIG. 5

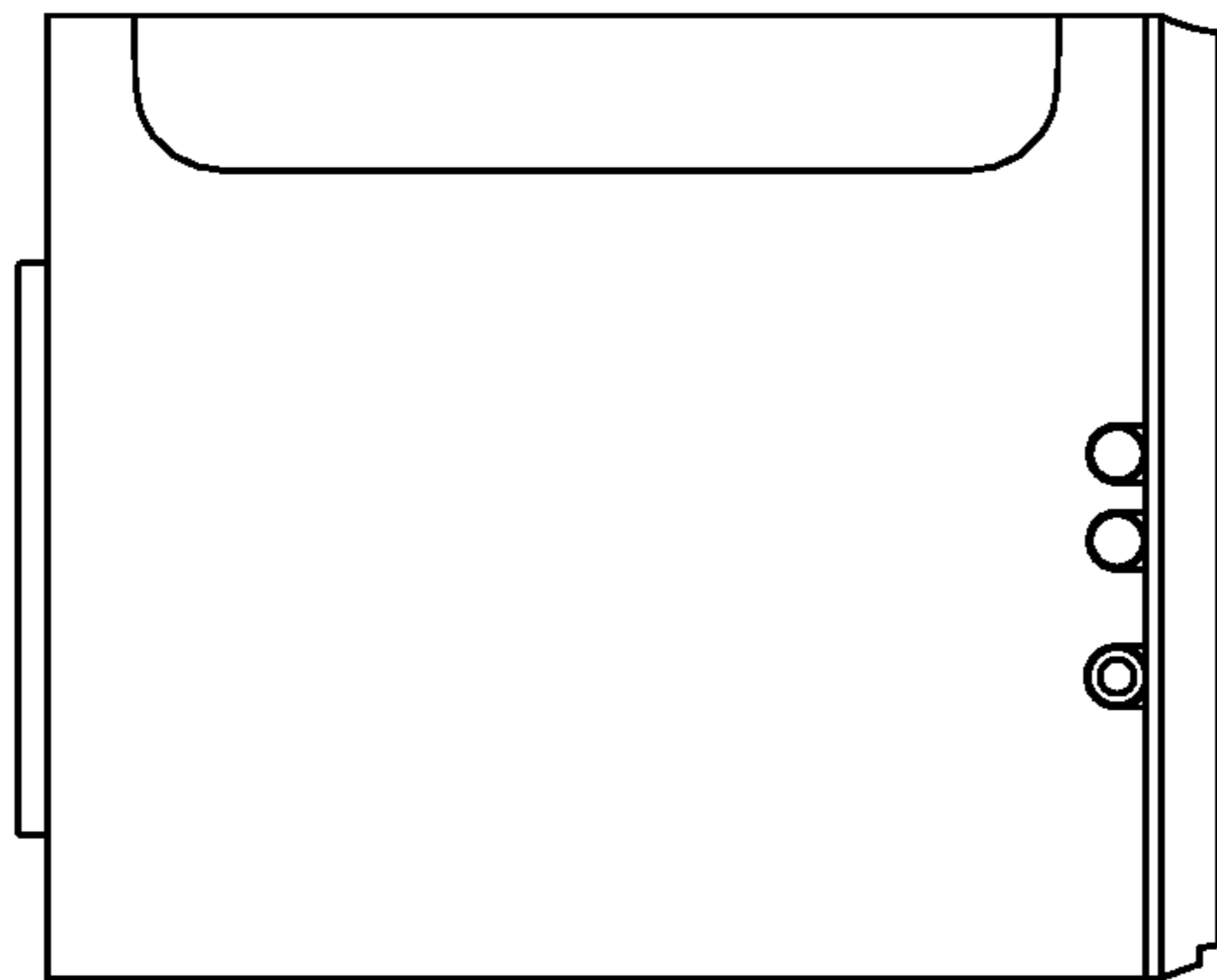


FIG. 4

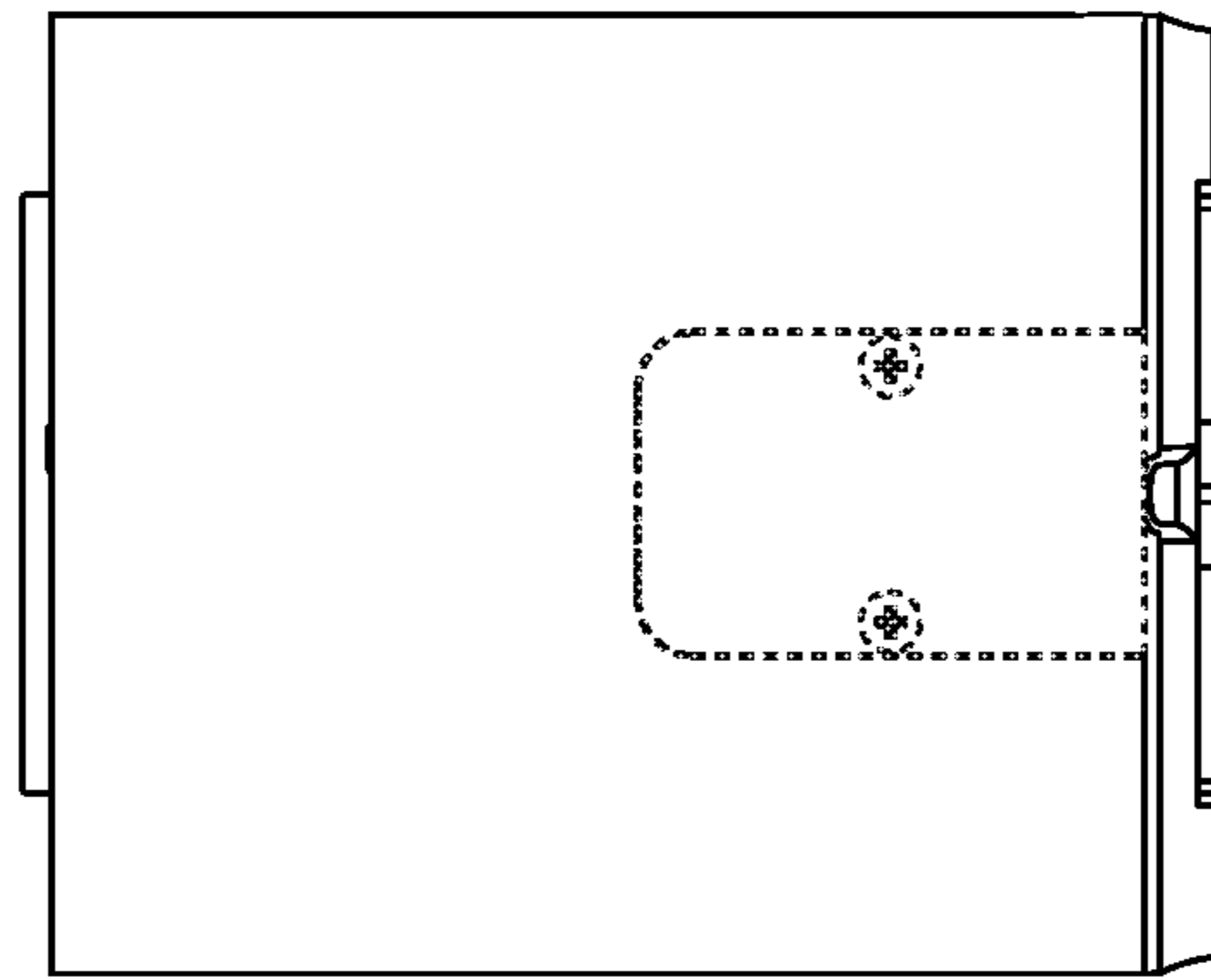


FIG. 7

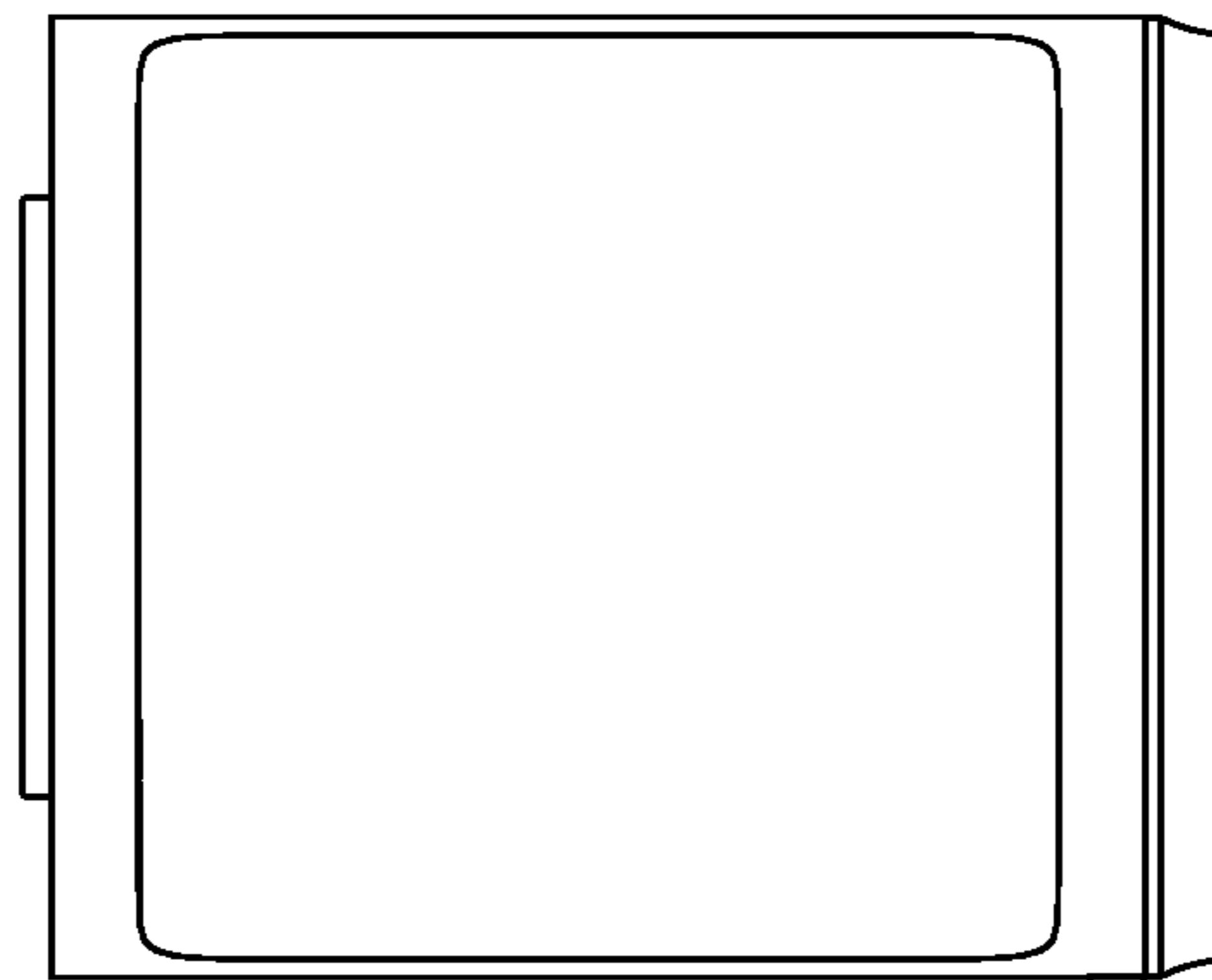


FIG. 6

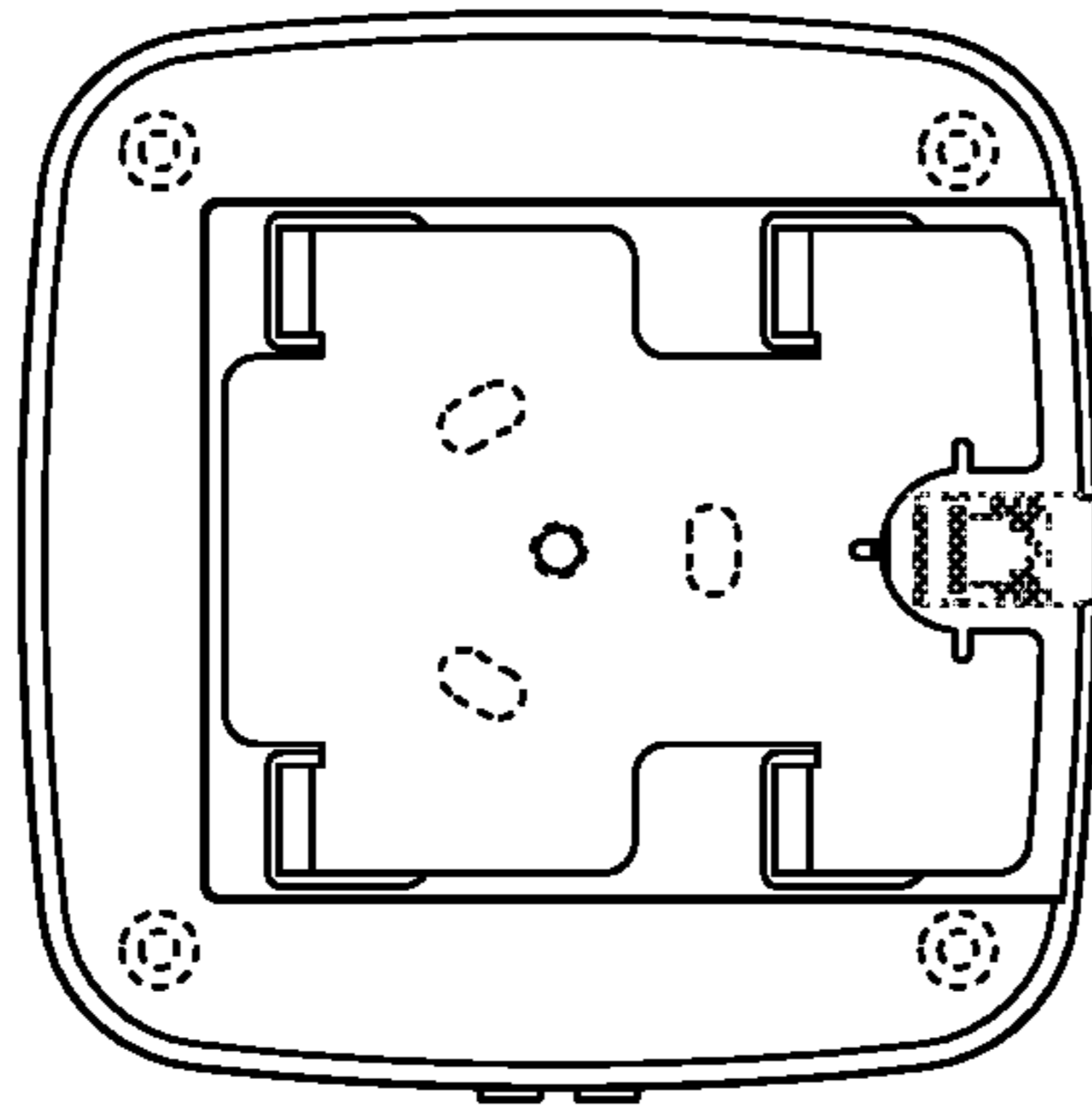


FIG. 9

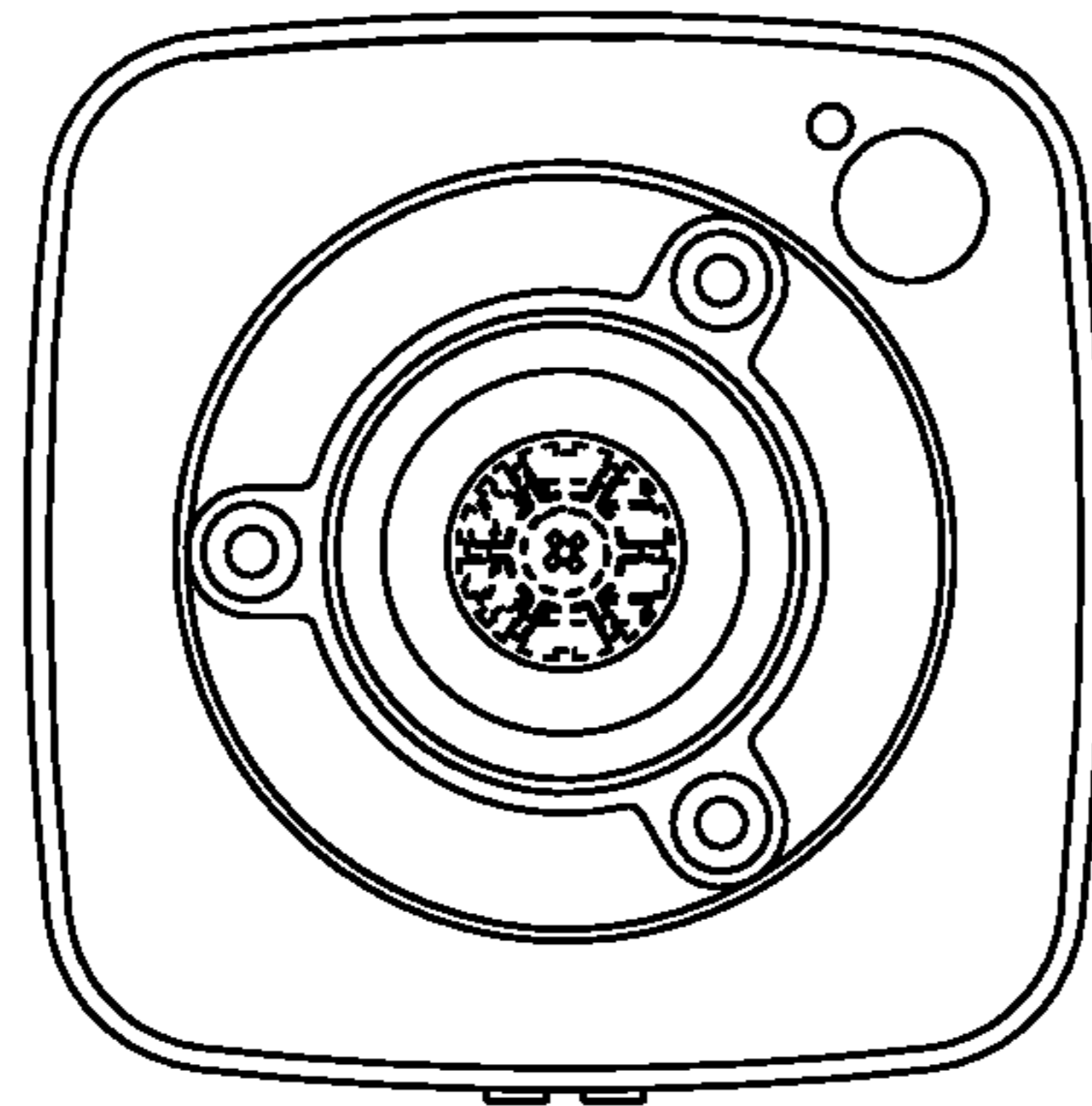


FIG. 8

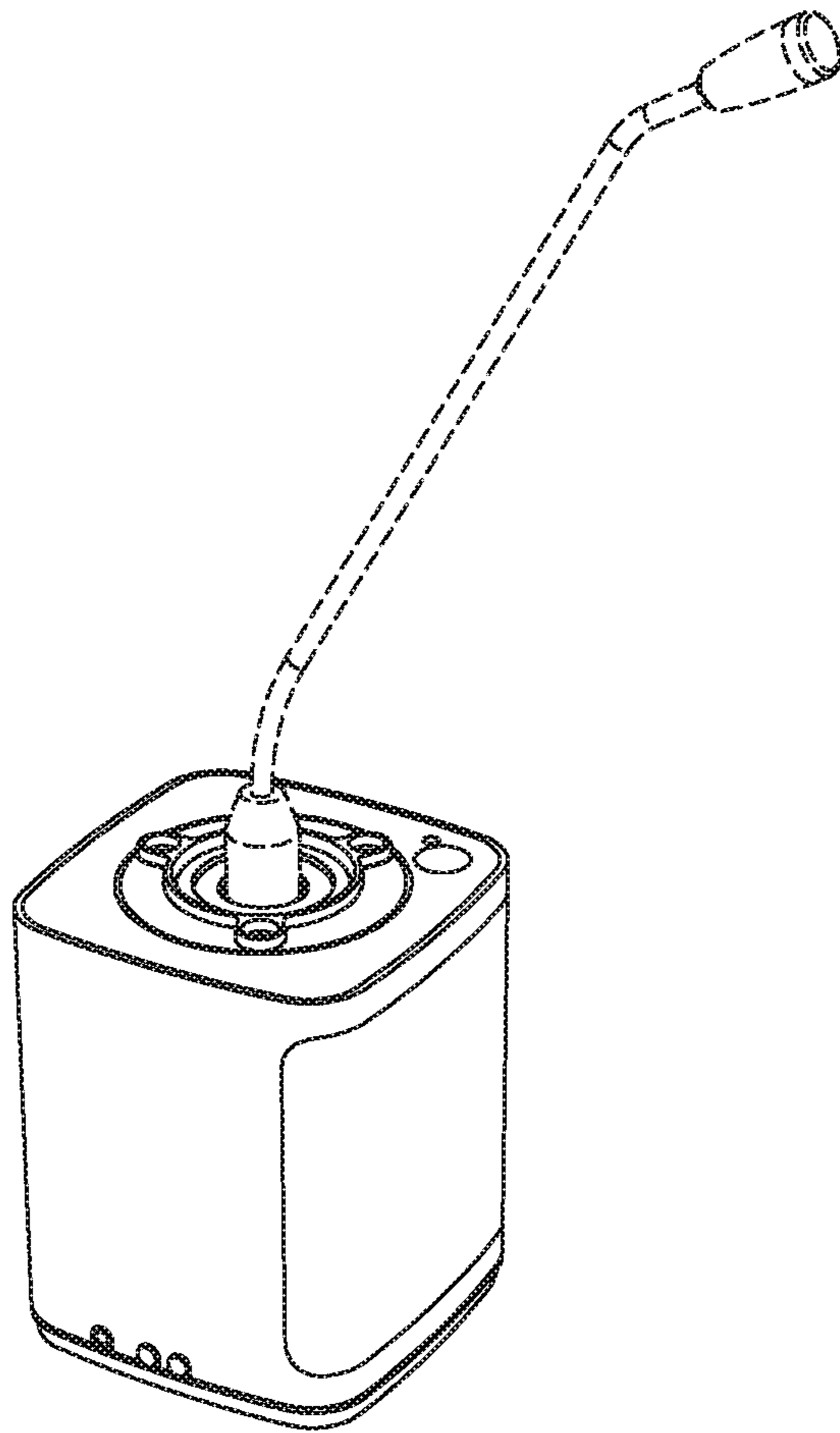


FIG. 10