



US00D877125S

(12) **United States Design Patent**  
**Fuller**

(10) **Patent No.:** **US D877,125 S**  
(45) **Date of Patent:** **\*\* Mar. 3, 2020**

- (54) **AUDIO SPEAKER FRAME**
- (71) Applicant: **Jacob Aaron Fuller**, Claremont, NC (US)
- (72) Inventor: **Jacob Aaron Fuller**, Claremont, NC (US)
- (\*\*) Term: **15 Years**
- (21) Appl. No.: **29/634,994**
- (22) Filed: **Jan. 26, 2018**
- (51) **LOC (12) Cl.** ..... **14-01**
- (52) **U.S. Cl.**  
USPC ..... **D14/224**
- (58) **Field of Classification Search**  
USPC ..... D14/224, 221, 222, 216, 219; D23/365; D15/15; 181/176, 187, 171, 160; 381/392, 150, 433, 412, 419, 420, 394, 381/405, 396, 397, 432, 404  
CPC . H04R 25/00; H04R 3/00; H04R 9/06; H04R 1/02; H04R 1/00; H04R 5/00; H05K 5/00  
See application file for complete search history.

(56) **References Cited**

**U.S. PATENT DOCUMENTS**

- D85,825 S \* 12/1931 Houghton ..... D14/222
- 2,077,170 A \* 4/1937 Harrison ..... H04R 1/24  
381/343
- D217,052 S \* 3/1970 Jones ..... D8/396
- 3,640,396 A \* 2/1972 Brownell ..... B01D 29/012  
210/493.1
- D225,069 S \* 11/1972 May ..... D14/216
- 4,933,975 A \* 6/1990 Button ..... H04R 9/022  
381/397
- 4,939,703 A \* 7/1990 Muller ..... G10K 11/20  
181/123
- D339,138 S \* 9/1993 Jung ..... D14/221

- 6,064,745 A \* 5/2000 Avera ..... H04R 1/30  
181/152
- D451,087 S \* 11/2001 Moro ..... D14/221
- 6,330,340 B1 \* 12/2001 Proni ..... H04R 9/022  
381/397
- D475,992 S \* 6/2003 Tomotaro ..... D14/216
- D483,743 S \* 12/2003 Vosse ..... D14/224
- 6,833,023 B1 \* 12/2004 Vandenberghe ..... B01D 29/006  
55/337
- D544,857 S \* 6/2007 Milne ..... D14/221
- 7,306,073 B2 \* 12/2007 Frasl ..... H04R 7/14  
181/157
- 7,323,106 B2 \* 1/2008 Jaroszczyk ..... B01D 46/0067  
210/315
- D577,005 S \* 9/2008 Amai ..... D14/216
- D578,113 S \* 10/2008 Yagihashi ..... D14/224
- D615,532 S \* 5/2010 Dodd ..... D14/221
- D637,582 S \* 5/2011 Wada ..... D14/216
- D644,634 S \* 9/2011 Cywan ..... D14/224
- 8,059,856 B2 \* 11/2011 Avera ..... H04R 9/022  
381/397
- 8,092,054 B2 \* 1/2012 Liu ..... F21K 9/00  
313/46

(Continued)

*Primary Examiner* — Paula Allen Greene  
(74) *Attorney, Agent, or Firm* — Clements Bernard Walker

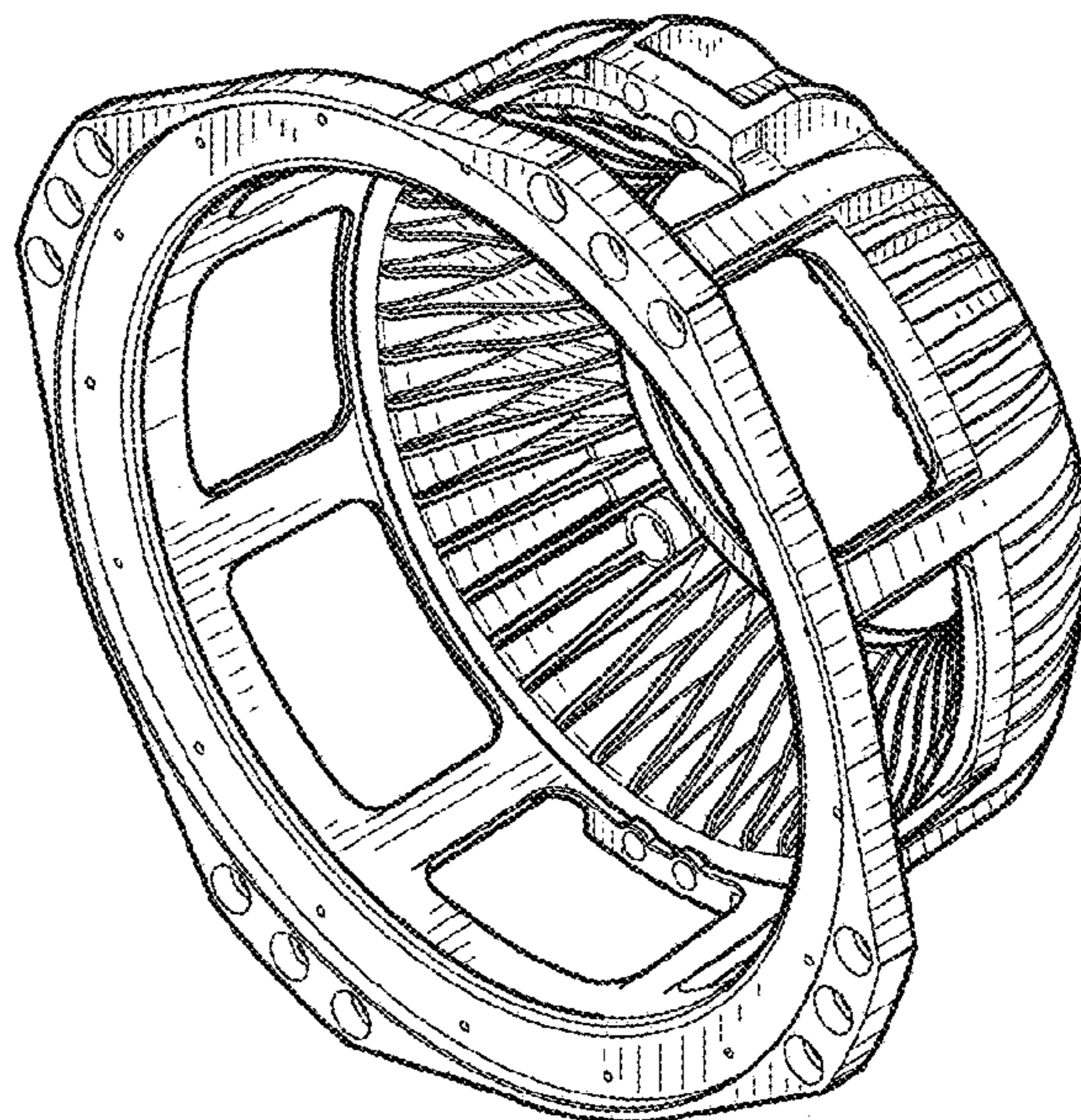
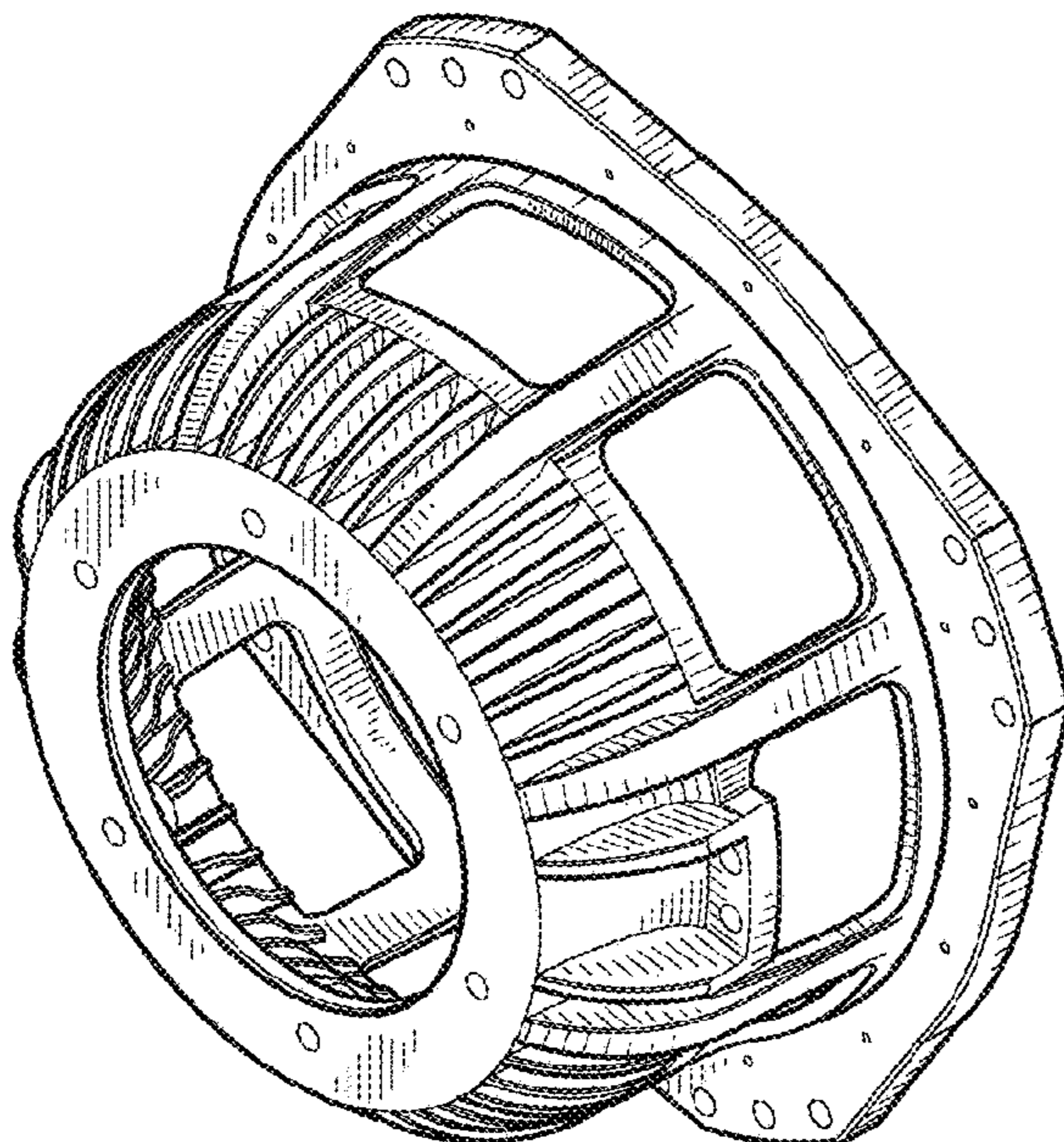
(57) **CLAIM**

The ornamental design for an audio speaker frame, as shown and described.

**DESCRIPTION**

FIG. 1 is a bottom perspective view of the audio speaker frame showing my new design; FIG. 2 is a top perspective view of the audio speaker frame; FIG. 3 is a bottom view of the audio speaker frame; FIG. 4 is a top view of the audio speaker frame; FIG. 5 is a left side view of the audio speaker frame; and, FIG. 6 is a side view of the audio speaker frame.

**1 Claim, 6 Drawing Sheets**



(56)

**References Cited**

U.S. PATENT DOCUMENTS

8,325,967 B2 \* 12/2012 Tanabe ..... H04R 9/04  
381/403  
D691,595 S 10/2013 Fuller  
D691,596 S 10/2013 Fuller  
D691,597 S 10/2013 Fuller  
D691,598 S 10/2013 Fuller  
D713,821 S \* 9/2014 Hyde ..... D14/221  
D741,841 S 10/2015 Fuller  
D769,219 S \* 10/2016 Ohmachi ..... D14/205  
D791,740 S 7/2017 Fuller  
D808,929 S \* 1/2018 Graber ..... D14/216  
D808,935 S \* 1/2018 Bullimore ..... D14/224  
D833,421 S \* 11/2018 Telle ..... D14/224  
D848,401 S \* 5/2019 Telle ..... D14/224  
2001/0010297 A1 \* 8/2001 Pulek ..... B01D 29/111  
210/493.2  
2001/0010725 A1 \* 8/2001 Frasl ..... H04R 7/14  
381/150  
2013/0287246 A1 \* 10/2013 Sasaki ..... H04R 1/06  
381/412

\* cited by examiner

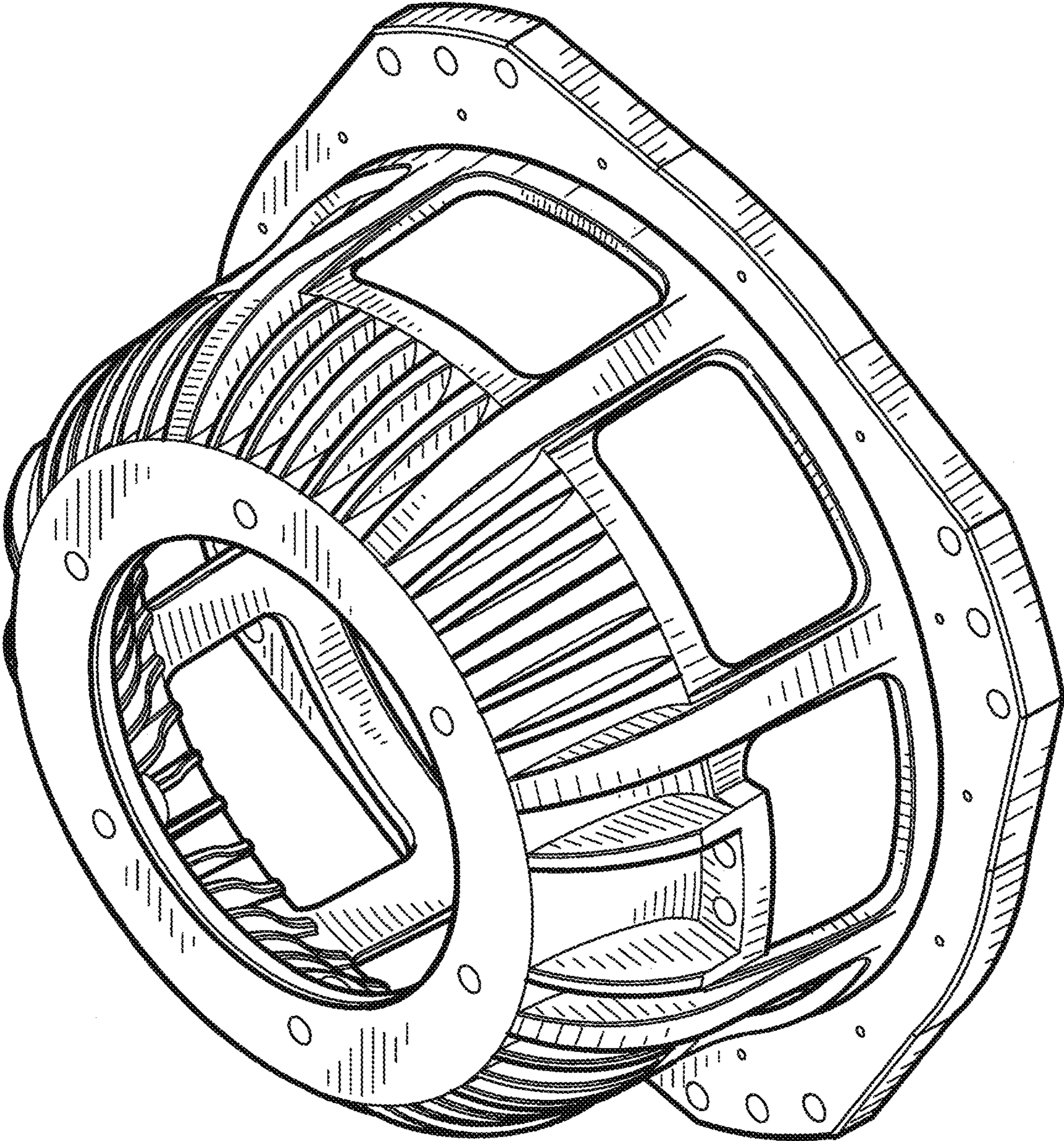


FIG. 1

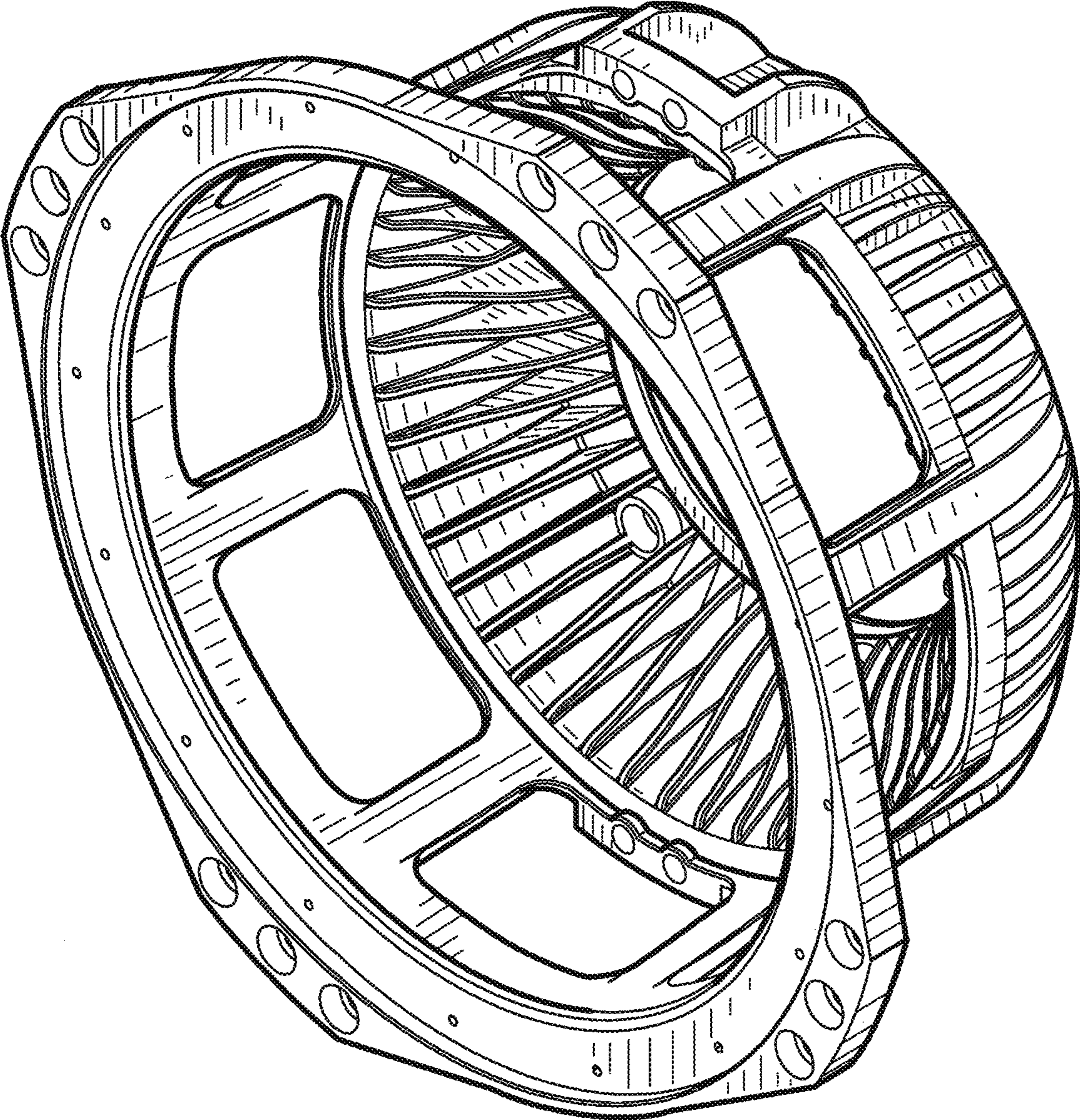


FIG. 2

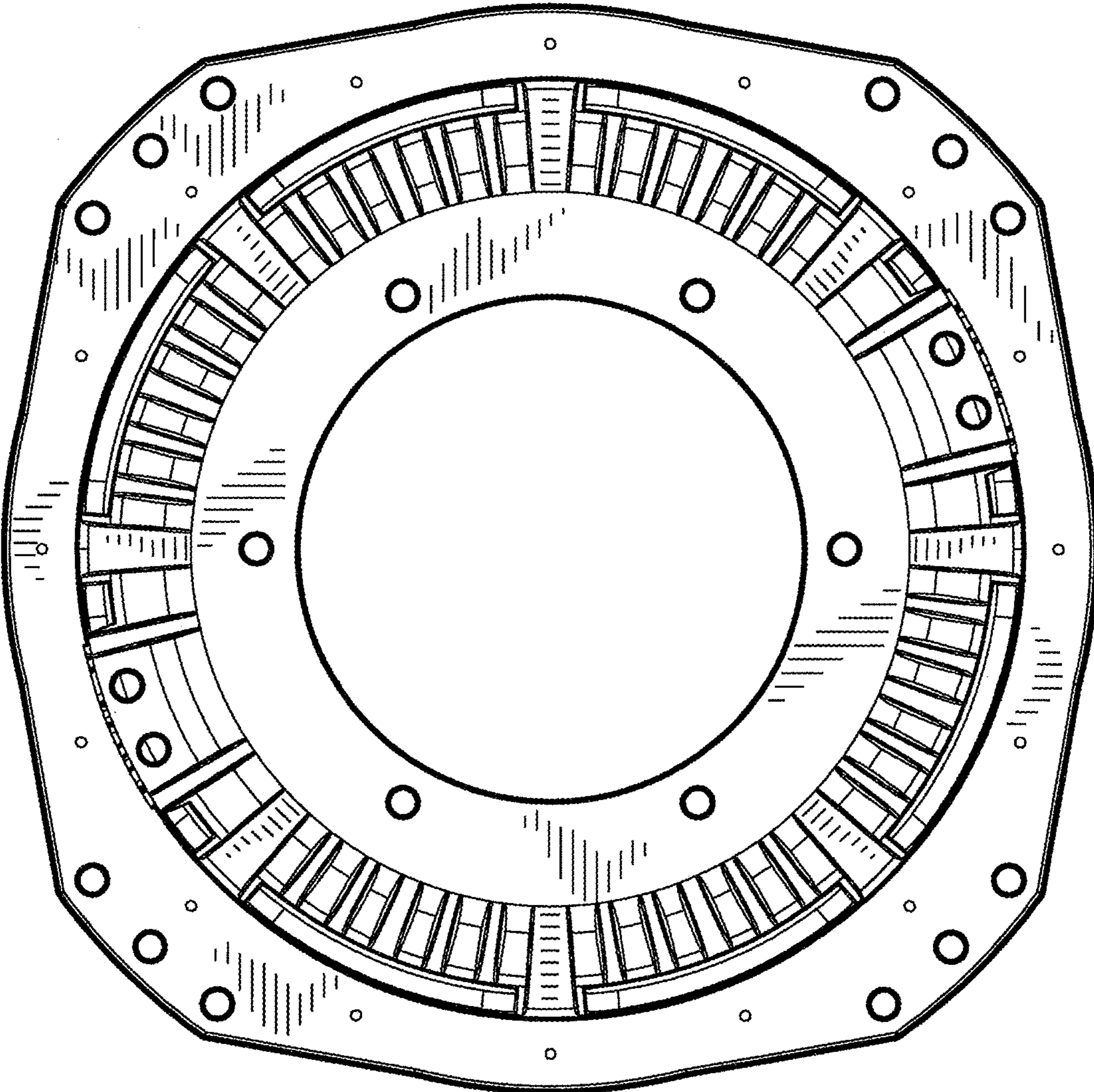


FIG. 3

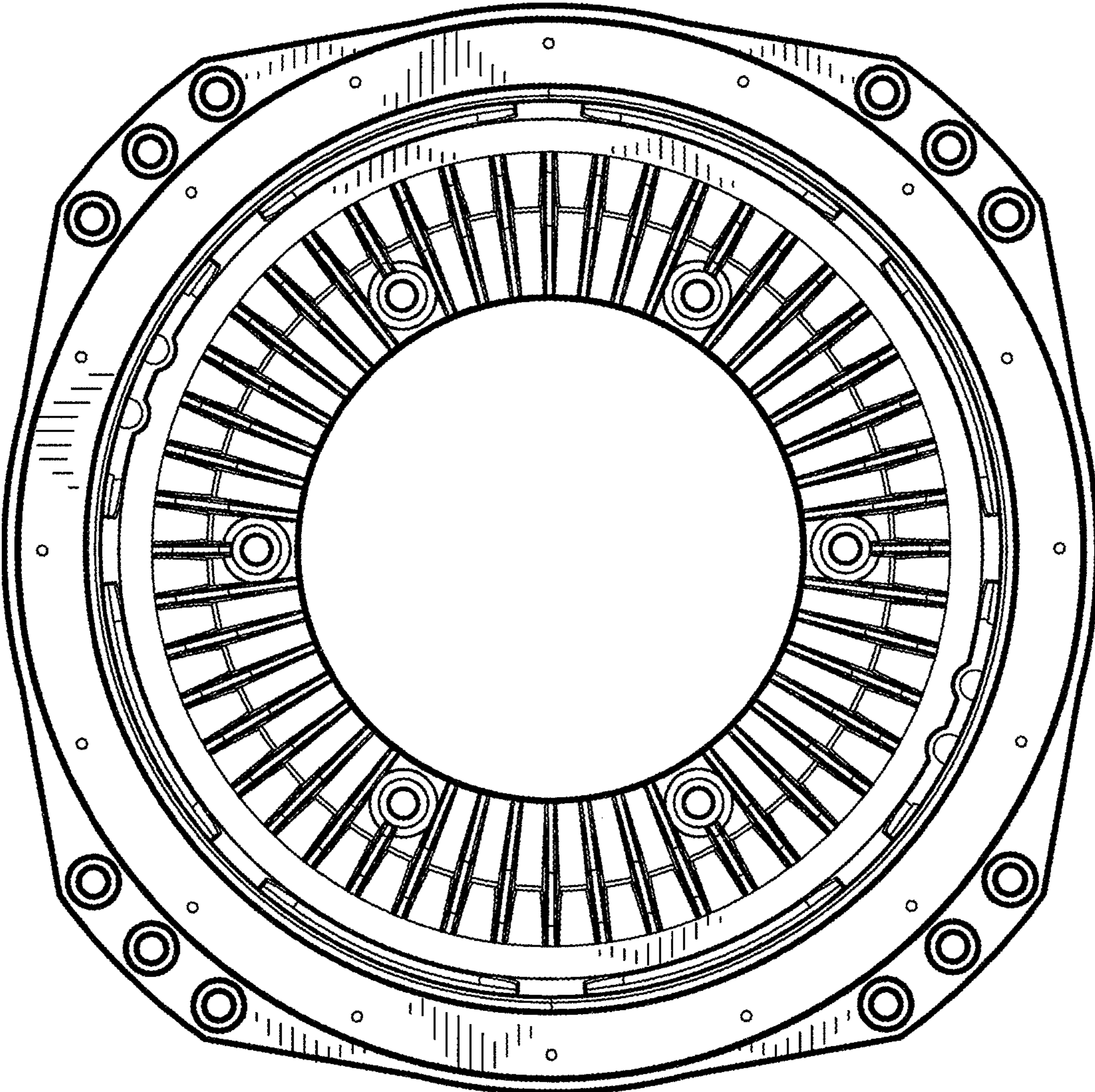


FIG. 4

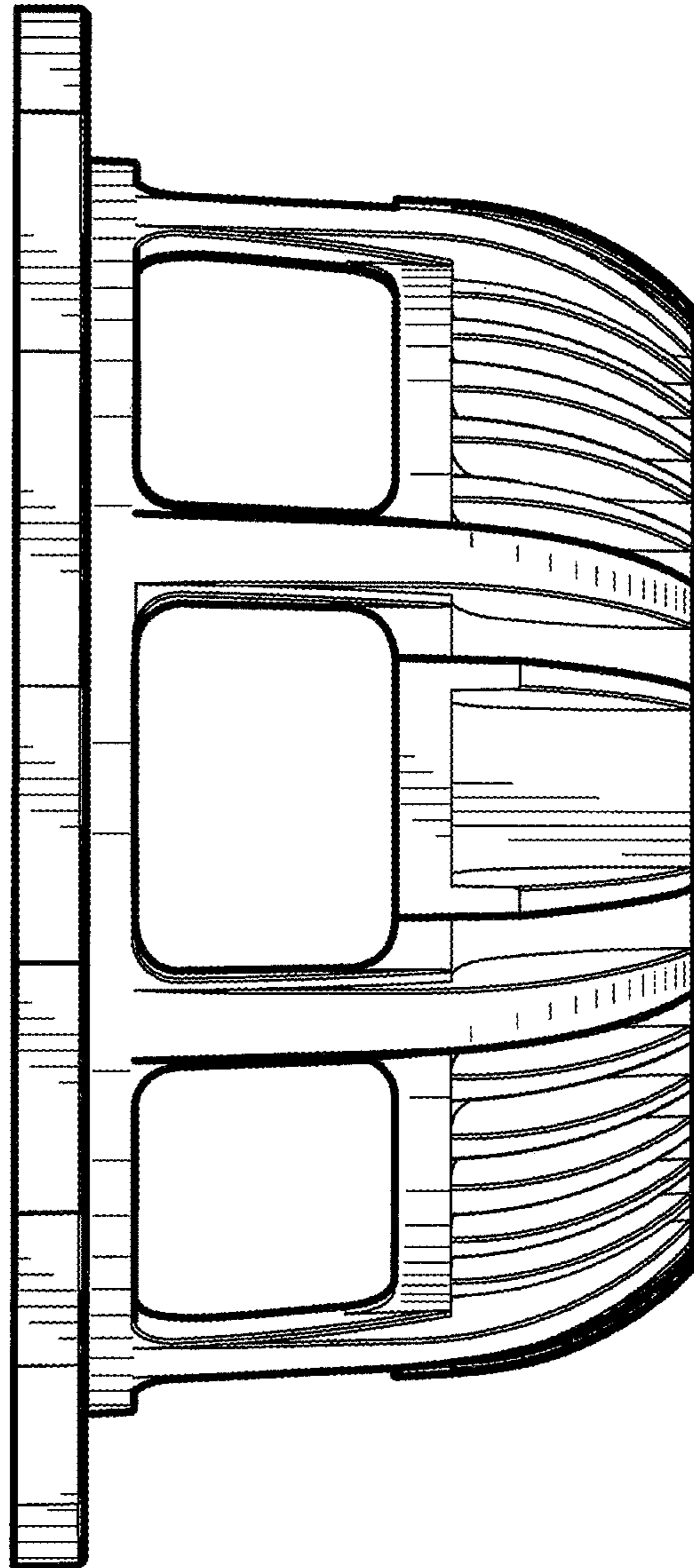


FIG. 5

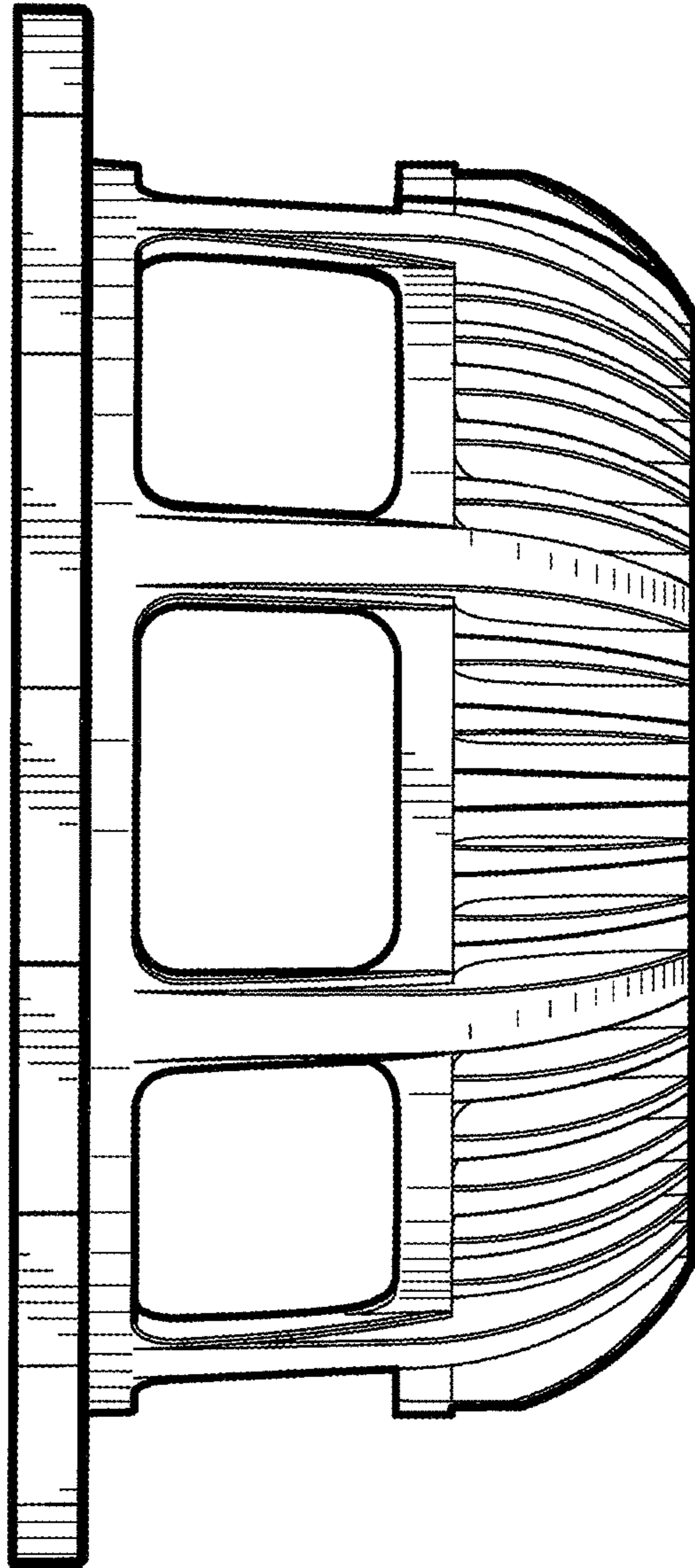


FIG. 6