



US00D877124S

(12) **United States Design Patent**
Miller et al.

(10) **Patent No.:** **US D877,124 S**
(45) **Date of Patent:** **** Mar. 3, 2020**

(54) **MAGNETIC ATTACHMENT CHIP**

(57) **CLAIM**

(71) Applicant: **Halo International Sezc Ltd.**,
Georgetown, Grand Cayman (KY)

The ornamental design for a magnetic attachment chip, as shown and described.

(72) Inventors: **Garold C. Miller**, Hartford, CT (US);
Nathan Daniel Weinstein, Hartford, CT (US)

DESCRIPTION

(73) Assignee: **Halo International SEZC Ltd.**,
Georgetown, Grand Cayman (KY)

FIG. 1 is a front, top perspective view of a first embodiment of a magnetic attachment chip comprising a new, original and ornamental design;

(**) Term: **15 Years**

FIG. 2 is a front view thereof;

(21) Appl. No.: **29/632,482**

FIG. 3 is a rear view thereof;

(22) Filed: **Jan. 8, 2018**

FIG. 4 is a right-hand side view thereof;

(51) **LOC (12) Cl.** **14-03**

FIG. 5 is a left-hand side view thereof;

(52) **U.S. Cl.**

FIG. 6 is a top view thereof;

USPC **D14/217**

FIG. 7 is a bottom view thereof;

(58) **Field of Classification Search**

FIG. 8 is another front, top perspective view thereof, showing the magnetic attachment chip in use, with the portions in hidden lines providing context and forming no part of the claimed design;

USPC D14/217, 250, 251, 252, 253, 451, 452,

FIG. 9 is a front, top perspective view of a second embodiment of a magnetic attachment chip comprising a new, original and ornamental design;

D14/440, 434, 447, 458, 432, 439, 457,

FIG. 10 is a front view thereof;

D14/460, 238.1, 140, 142, 149, 148

FIG. 11 is a rear view thereof;

CPC .. H04M 1/04; H04M 1/6075; H04M 1/72569;

FIG. 12 is a right-hand side view thereof;

H04M 1/72577; H04M 17/026; H04M

FIG. 13 is a left-hand side view thereof;

1/006; H04M 1/0214; H04M 1/0233;

FIG. 14 is a top view thereof;

H04M 1/0254; H04M 1/0264; H04M

FIG. 15 is a bottom view thereof;

1/0279; H04M 1/18; H04M 1/6091;

FIG. 16 is a front, top perspective view of a third embodiment of a magnetic attachment chip comprising a new, original and ornamental design;

H04M 1/723; H04M 1/725; H04M

FIG. 17 is a front view thereof;

2207/206; H04M 2250/16; H04M 1/15;

FIG. 18 is a rear view thereof;

H04B 1/3888

FIG. 19 is a right-hand side view thereof;

See application file for complete search history.

FIG. 20 is a left-hand side view thereof;

(56) **References Cited**

U.S. PATENT DOCUMENTS

8,186,642 B2 * 5/2012 Weiss-Vons B65H 75/143
248/205.5

D714,126 S * 9/2014 Pyon D8/349

FIG. 21 is a top view thereof; and,

FIG. 22 is a bottom view thereof.

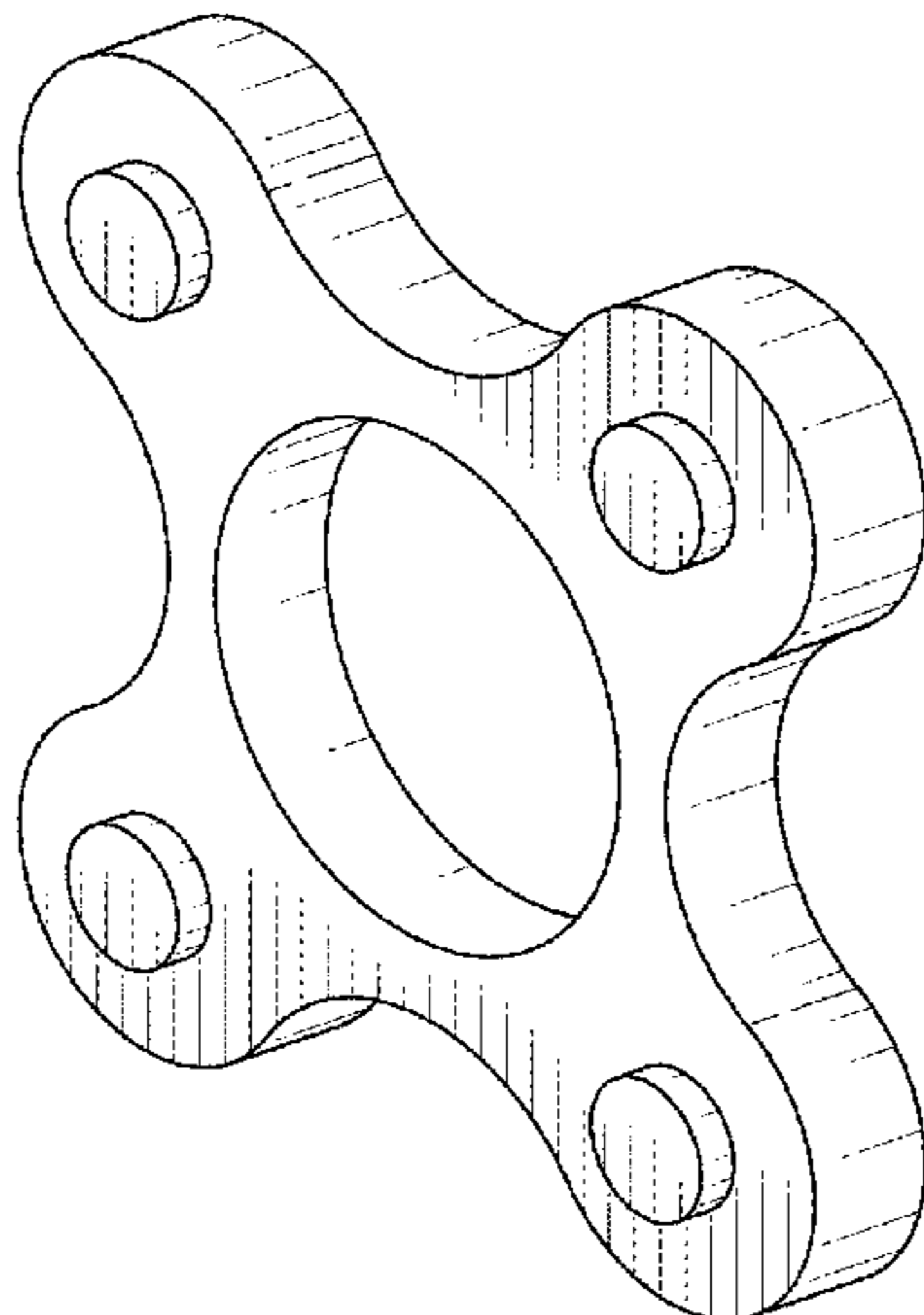
(Continued)

The broken line portions of the figure drawings are included to show unclaimed subject matter only and form no part of the claimed design.

Primary Examiner — Khawaja Anwar

(74) *Attorney, Agent, or Firm* — Lathrop GPM LLP

1 Claim, 7 Drawing Sheets



(56)

References Cited

U.S. PATENT DOCUMENTS

D769,859 S * 10/2016 Herbst D14/253
9,486,910 B2 * 11/2016 Stevens F16M 11/041
D794,607 S * 8/2017 Srouer D14/217
D819,603 S * 6/2018 Pearce D14/217
D827,612 S * 9/2018 Srouer D14/217
D840,377 S * 2/2019 Jin D14/217
D847,805 S * 5/2019 Lederer D14/250
D850,455 S * 6/2019 Cheng D14/440
D856,977 S * 8/2019 Hartmann D14/216
2009/0090750 A1 * 4/2009 Alcenat A45F 5/00
224/101
2012/0042476 A1 * 2/2012 Karmatz B25G 1/102
16/421
2012/0104185 A1 * 5/2012 Carroll F16M 11/041
248/27.1

* cited by examiner

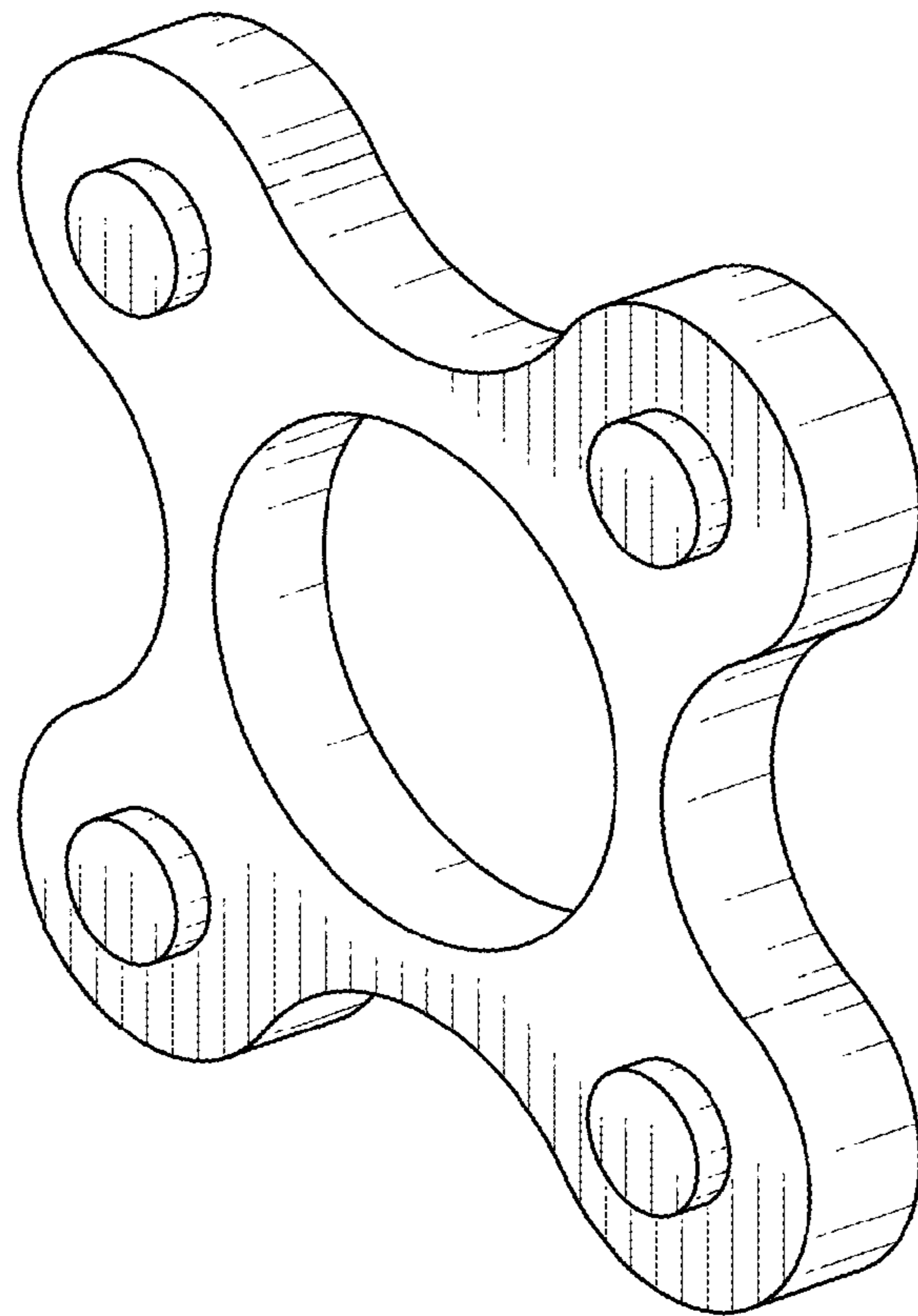


FIG. 1

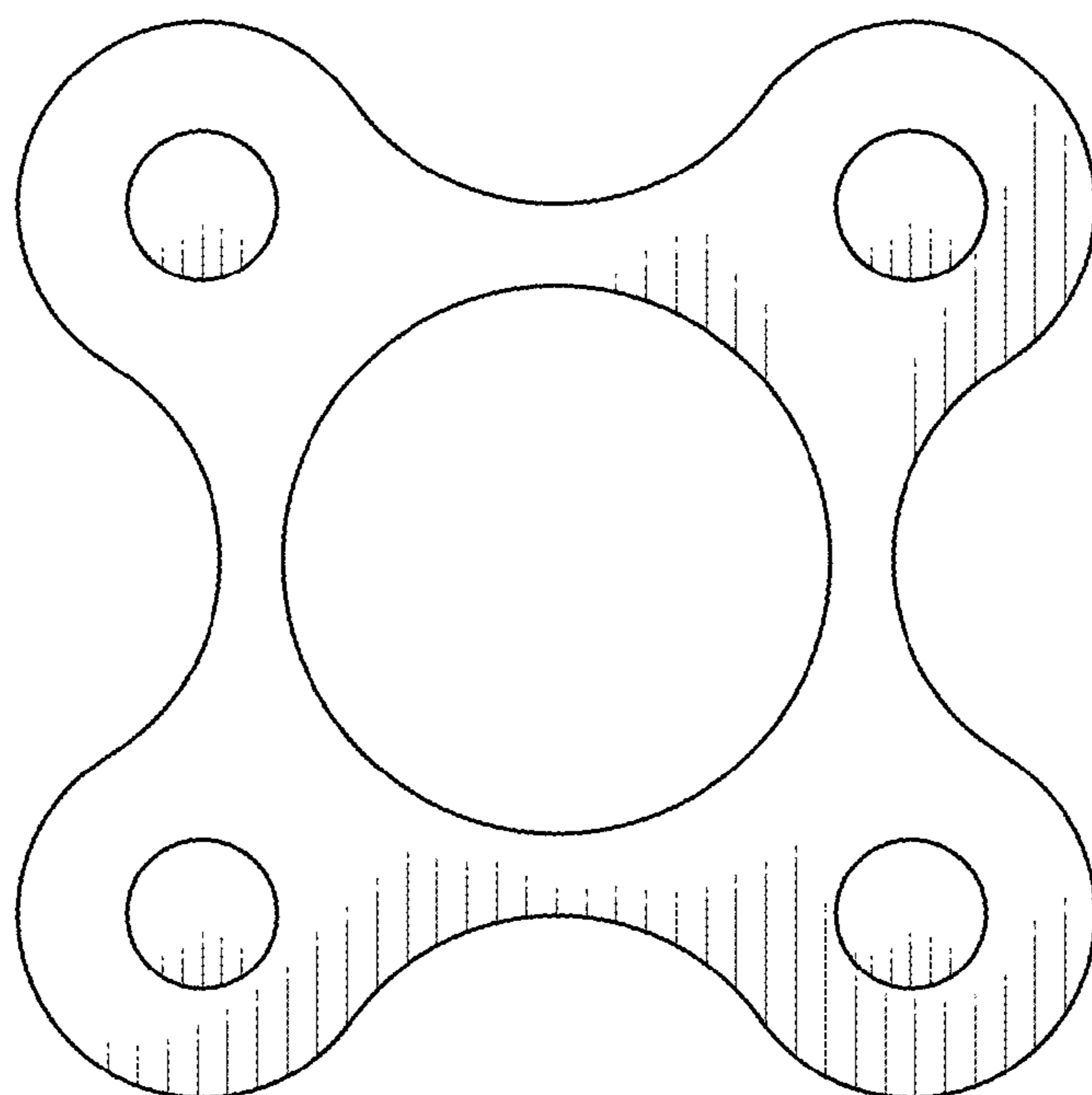


FIG. 2

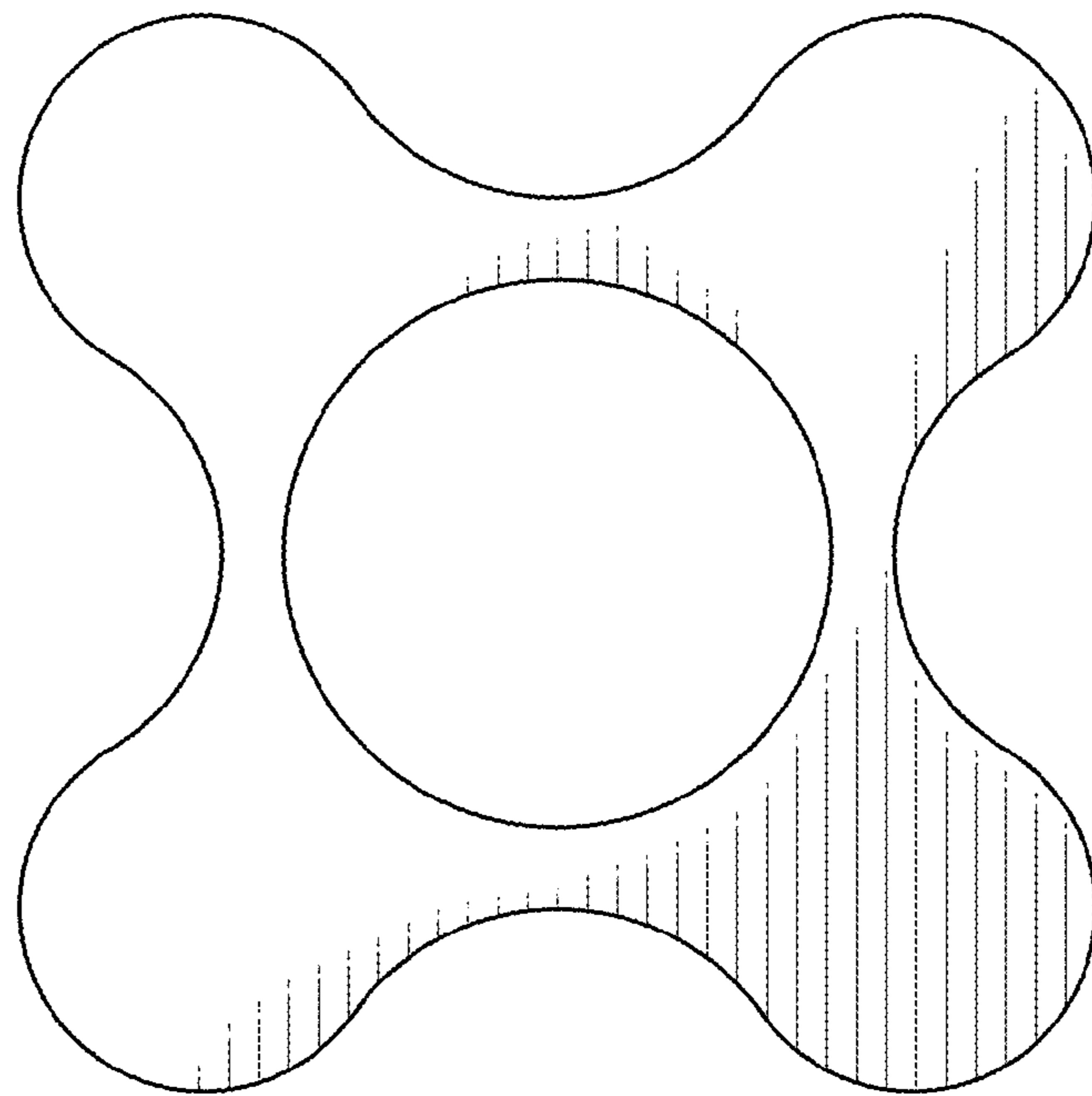


FIG. 3

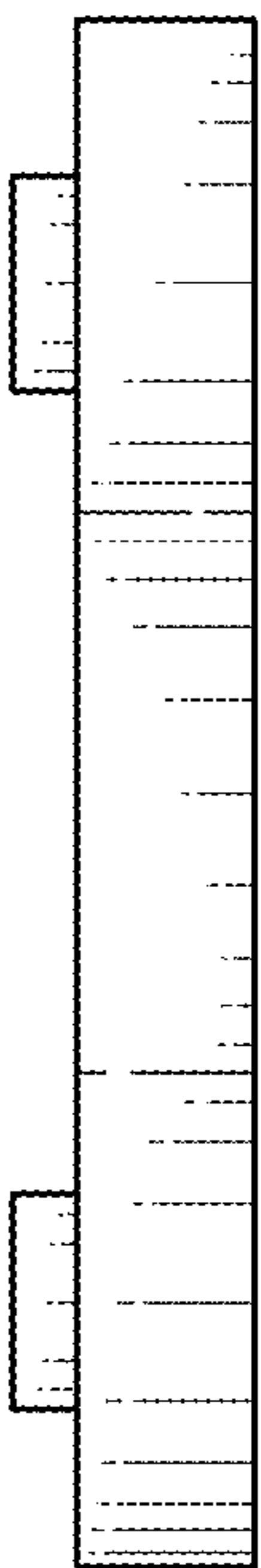


FIG. 4

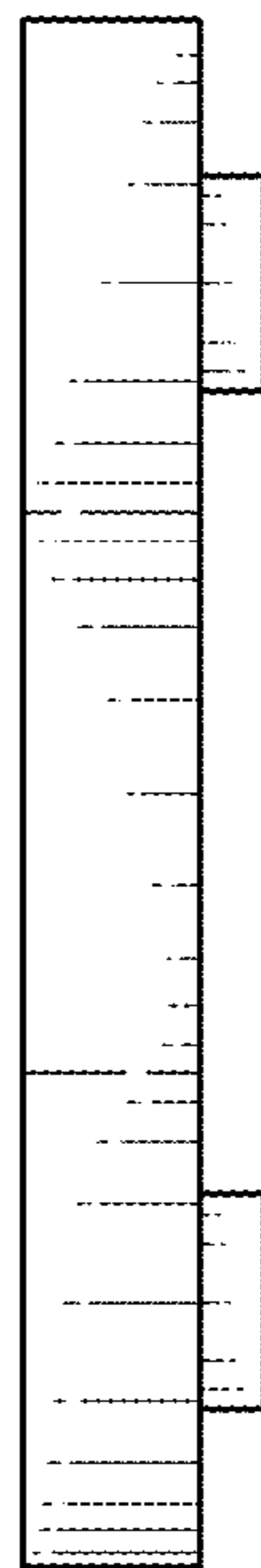


FIG. 5

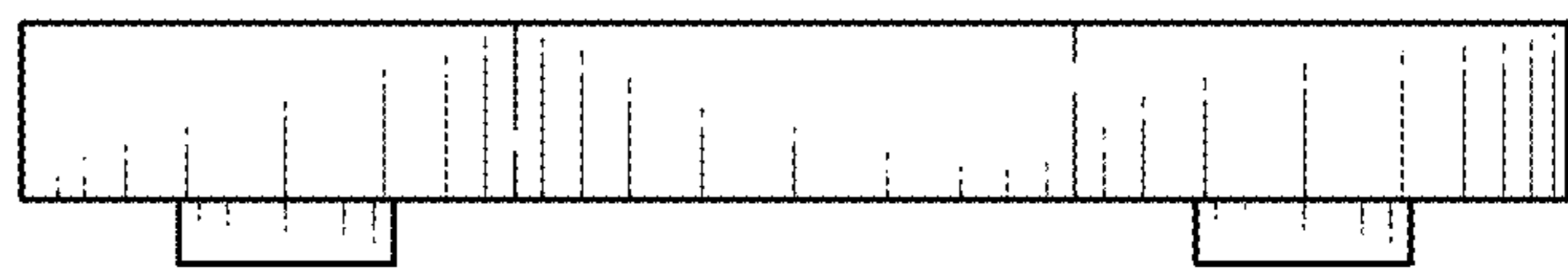


FIG. 6

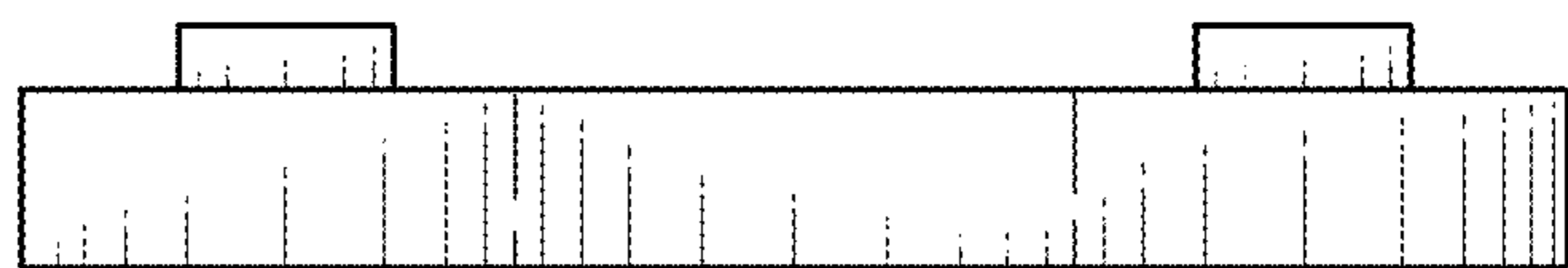


FIG. 7

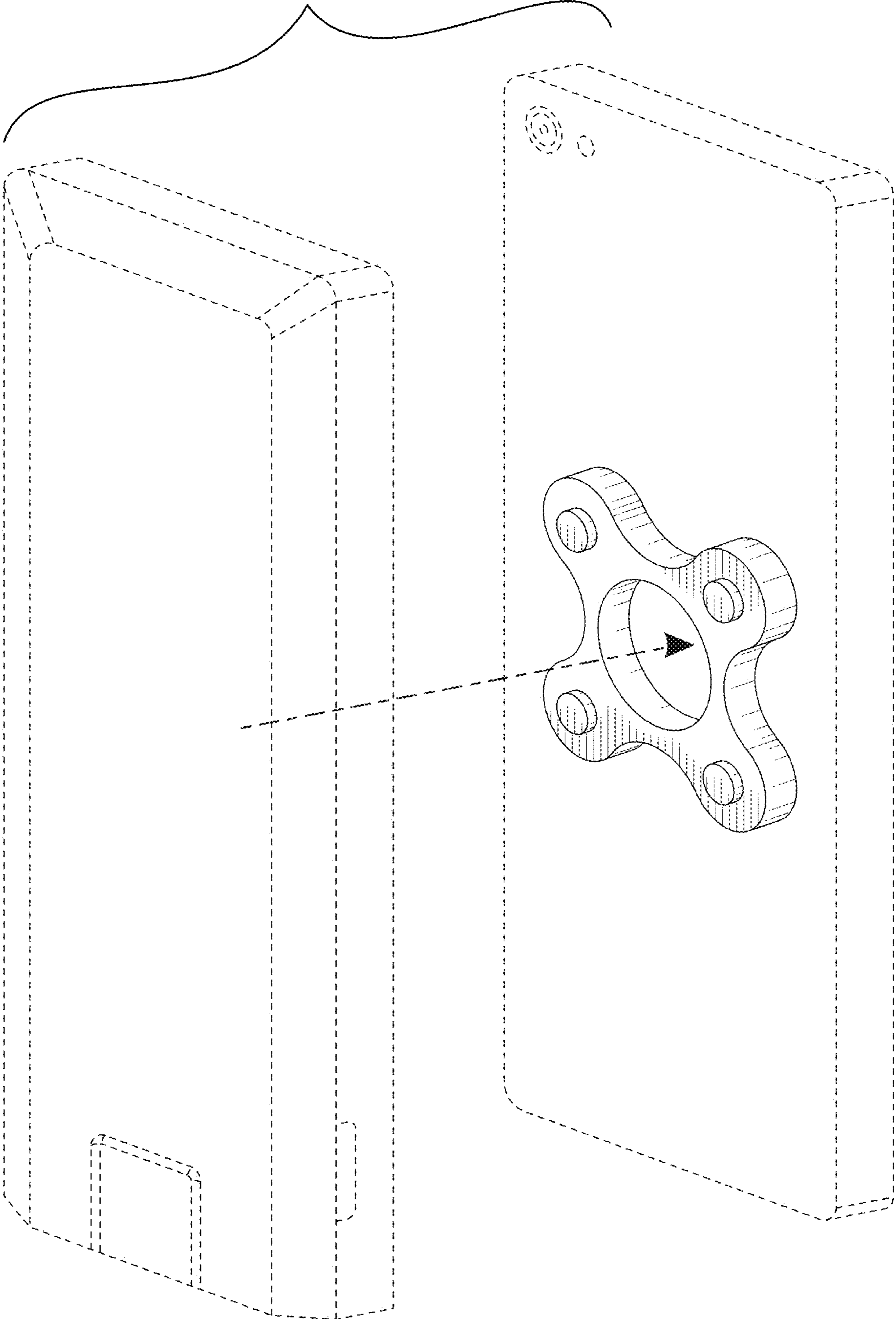


FIG. 8

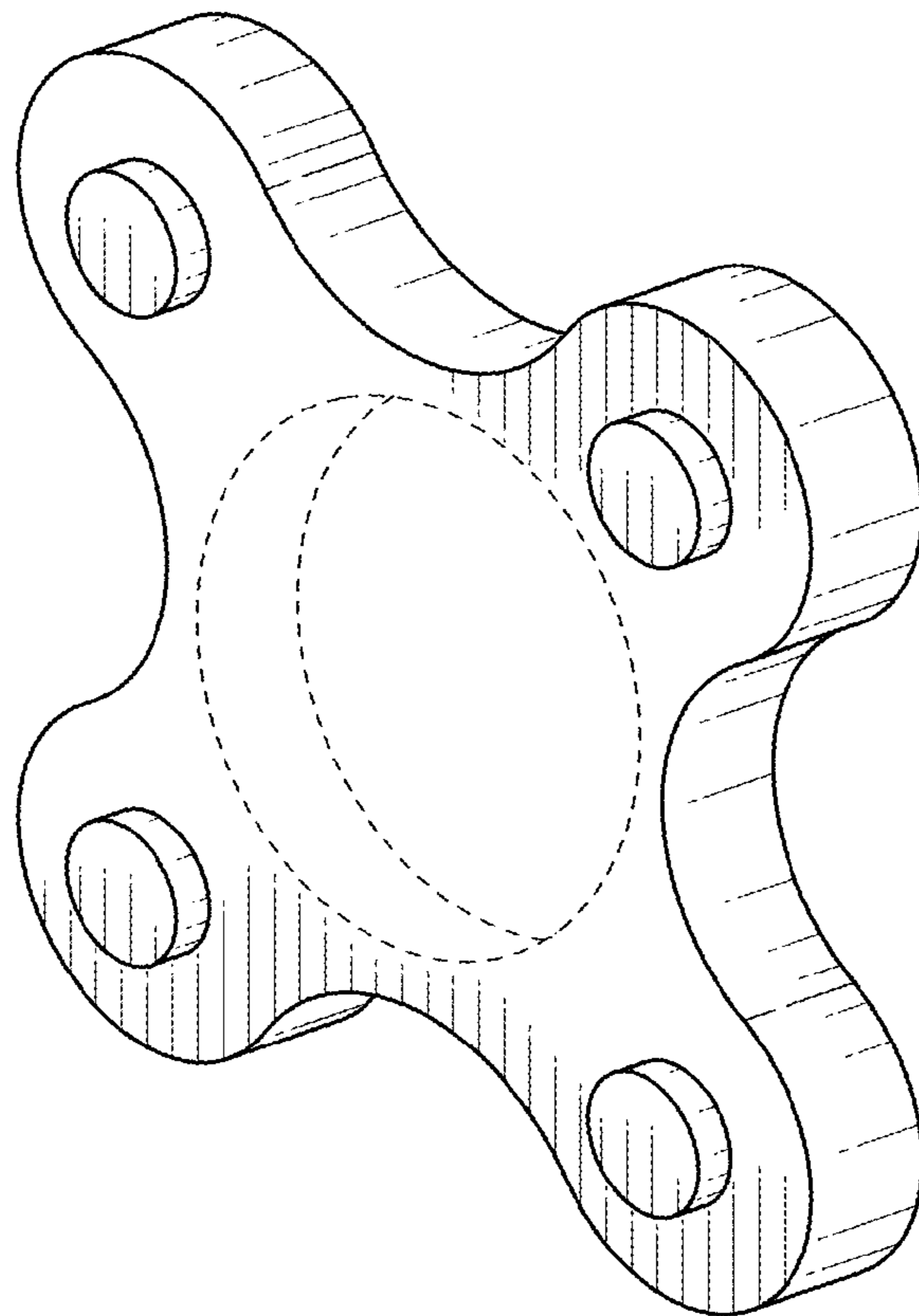


FIG. 9

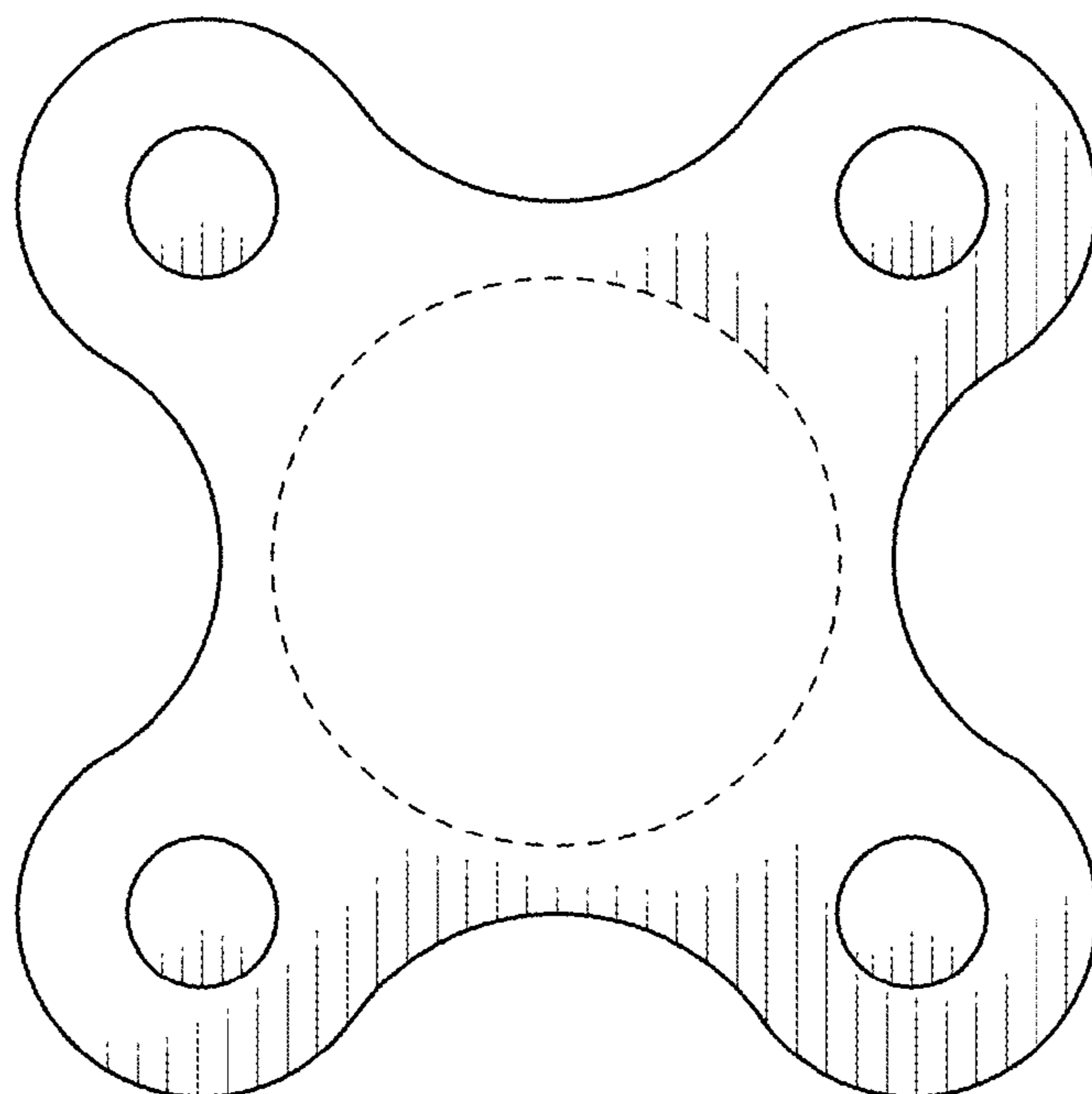


FIG. 10

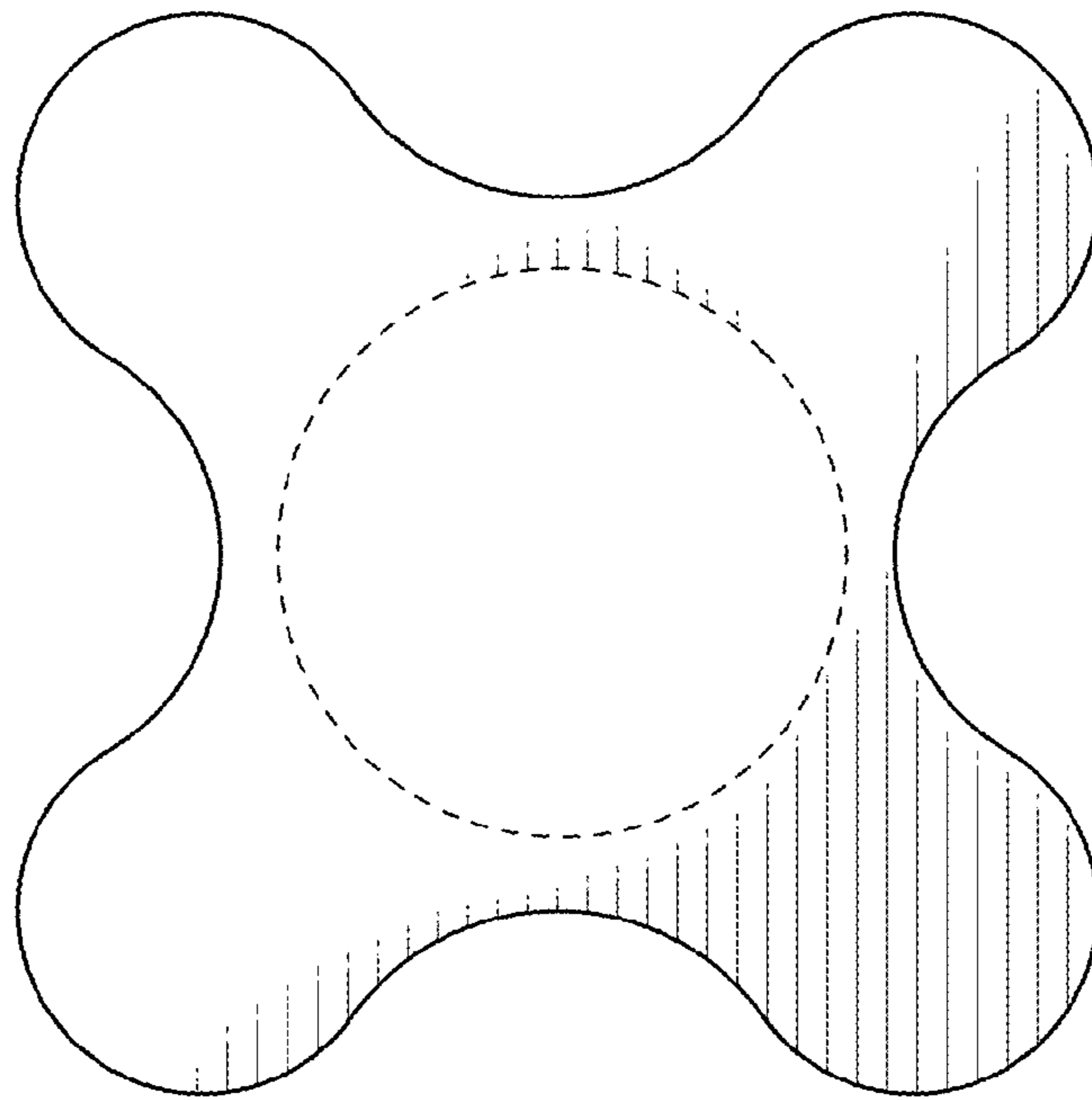


FIG. 11

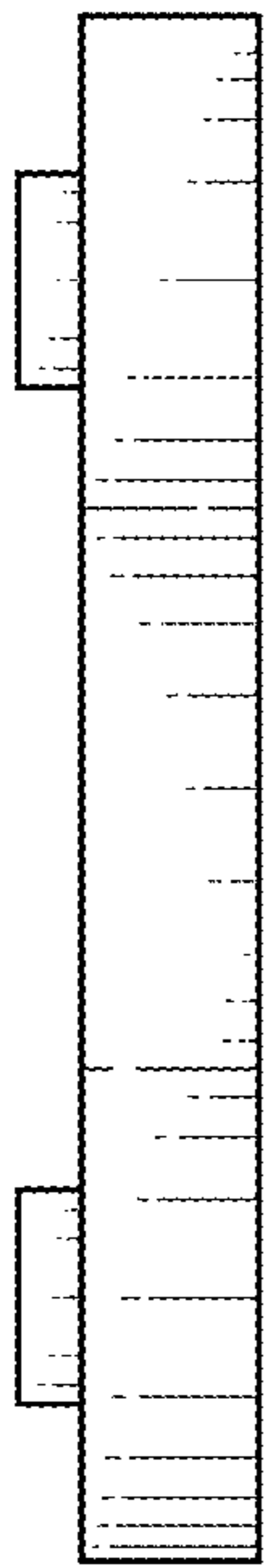


FIG. 12

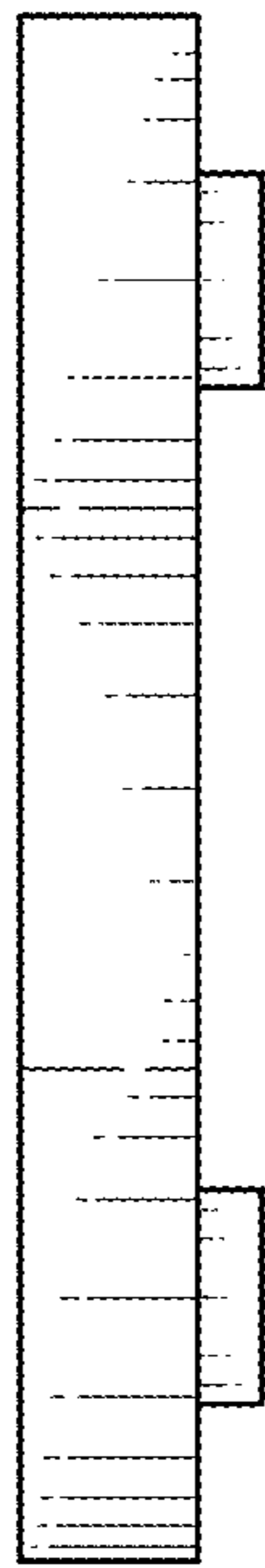


FIG. 13

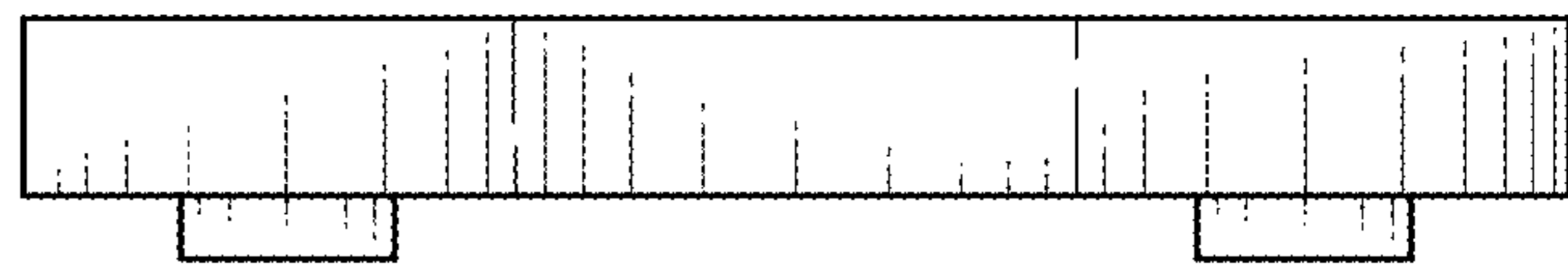


FIG. 14

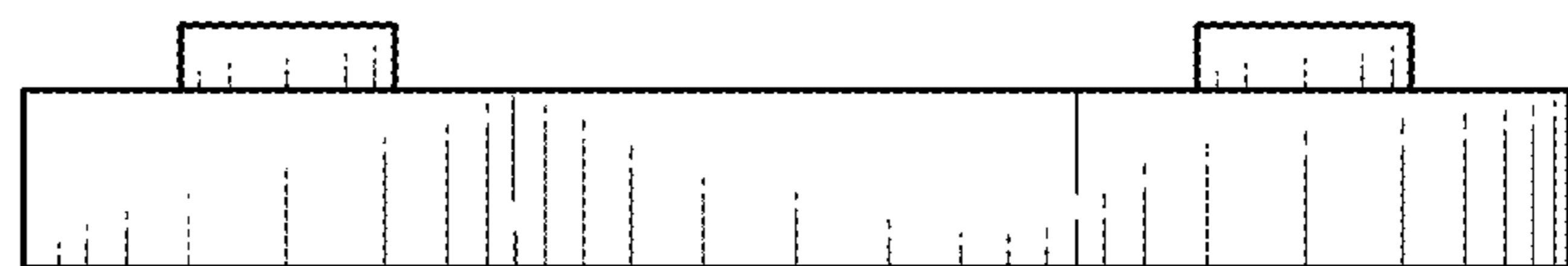


FIG. 15

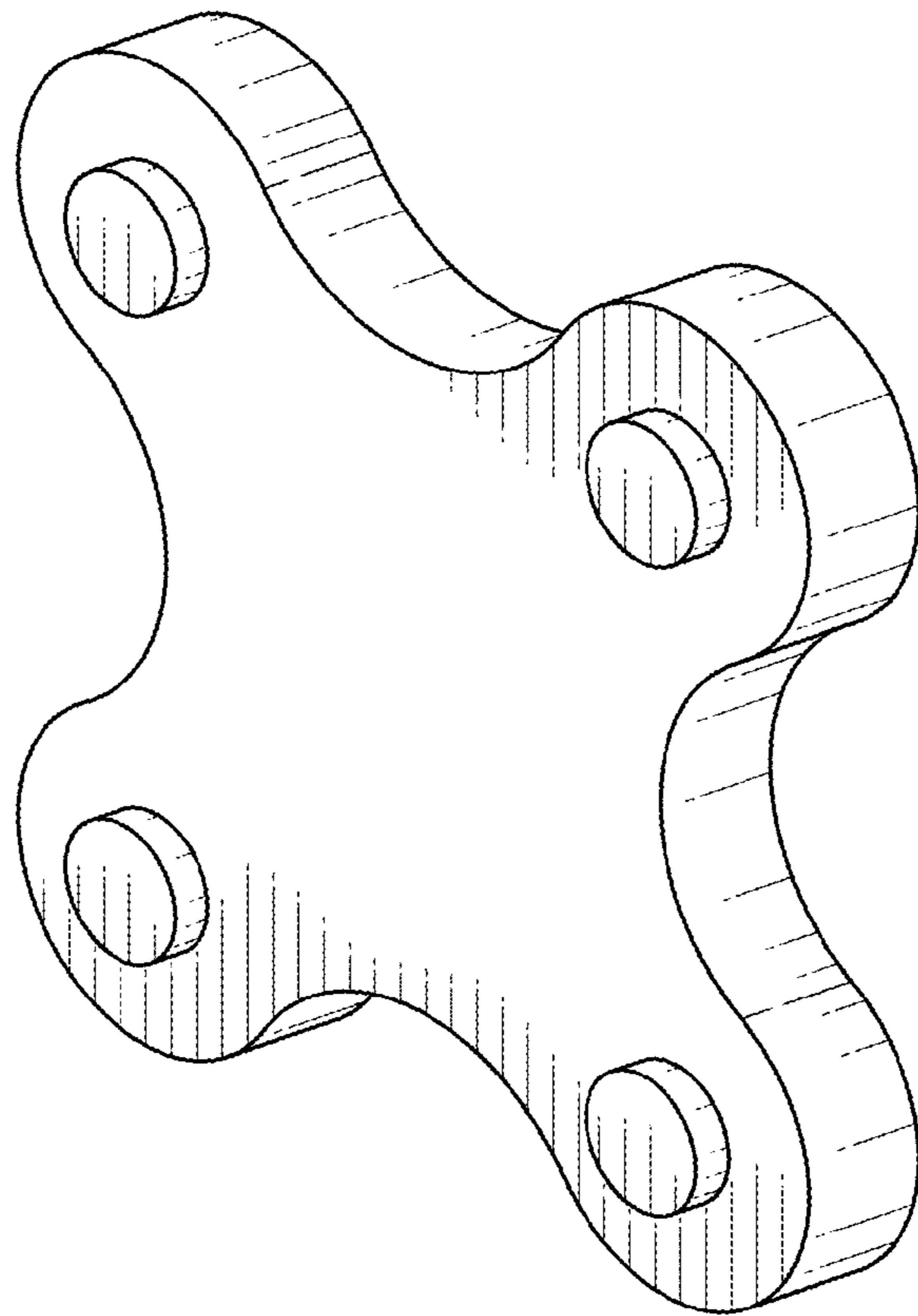


FIG. 16

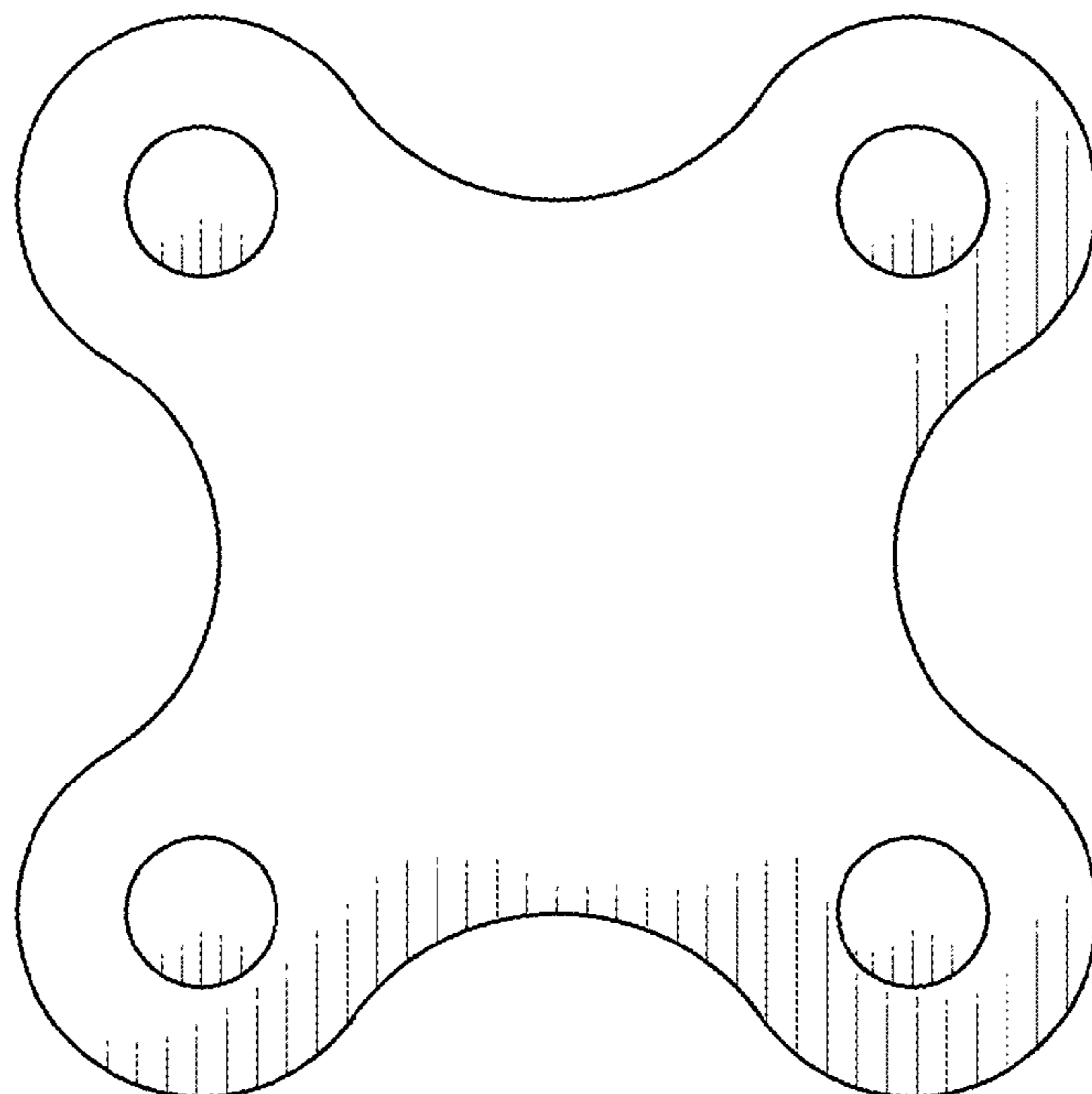


FIG. 17

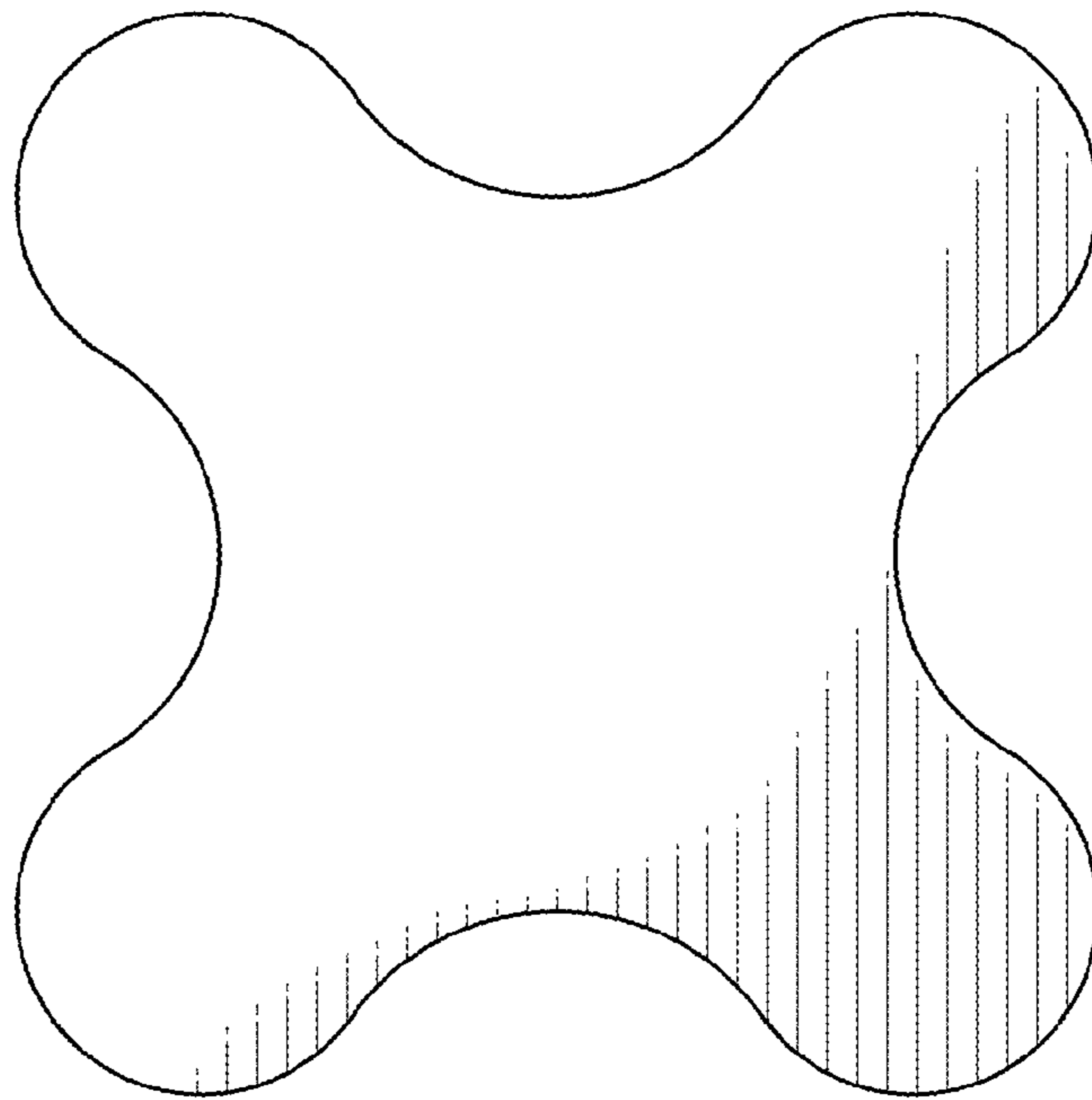


FIG. 18



FIG. 19

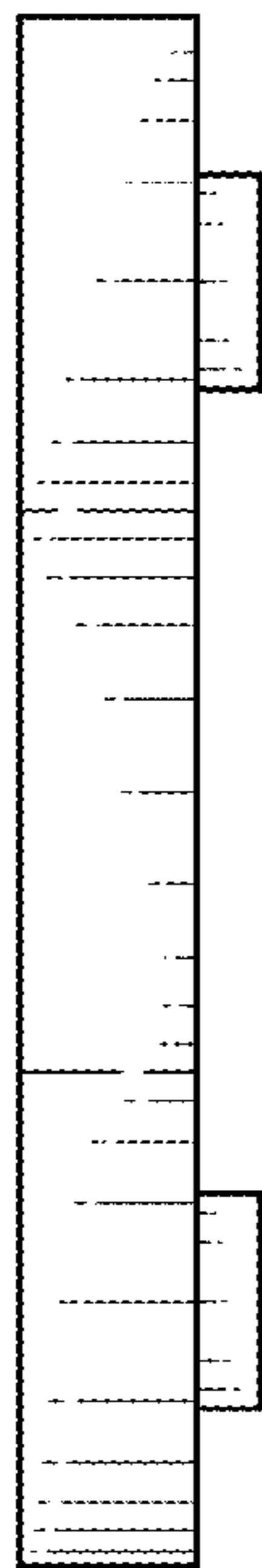


FIG. 20

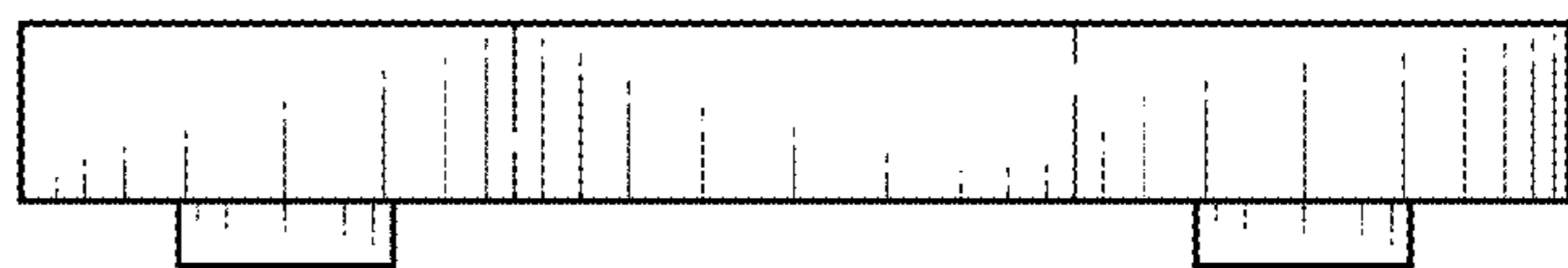


FIG. 21

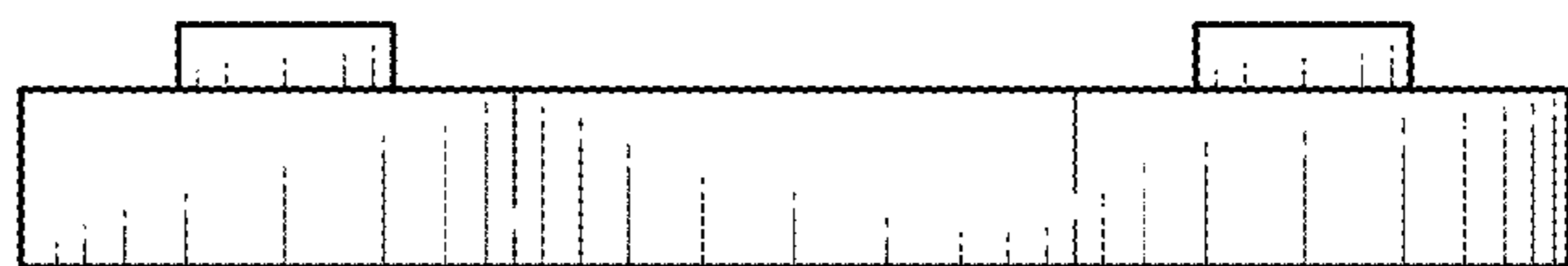


FIG. 22